



US00D429801S

United States Patent [19]
Svendsen

[11] **Patent Number: Des. 429,801**

[45] **Date of Patent: ** Aug. 22, 2000**

[54] **TOILET**

[75] **Inventor: Sean W. Svendsen, Columbus, Ohio**

[73] **Assignee: American Standard Inc., Piscataway, N.J.**

[**] **Term: 14 Years**

[21] **Appl. No.: 29/115,499**

[22] **Filed: Dec. 15, 1999**

Related U.S. Application Data

[62] **Division of application No. 29/103,775, Apr. 21, 1999.**

[51] **LOC (7) Cl. 23-02**

[52] **U.S. Cl. D23/295**

[58] **Field of Search D23/295, 298, D23/299, 300, 301; 4/353, 421, 424, 428, 430**

[56] **References Cited**

U.S. PATENT DOCUMENTS

- D. 44,166 6/1913 Cochran .
- D. 095,210 4/1935 Morgan D23/301

- D. 310,559 9/1990 Cors .
- D. 314,236 1/1991 Ament .
- D. 323,551 1/1992 Fait .
- D. 352,996 11/1994 Sim D23/301
- D. 353,449 12/1994 Kohler, Jr. et al. .
- D. 368,134 3/1996 Reid .
- D. 379,217 5/1997 Kergoet .
- D. 387,858 12/1997 McKeone .

Primary Examiner—Doris Clark

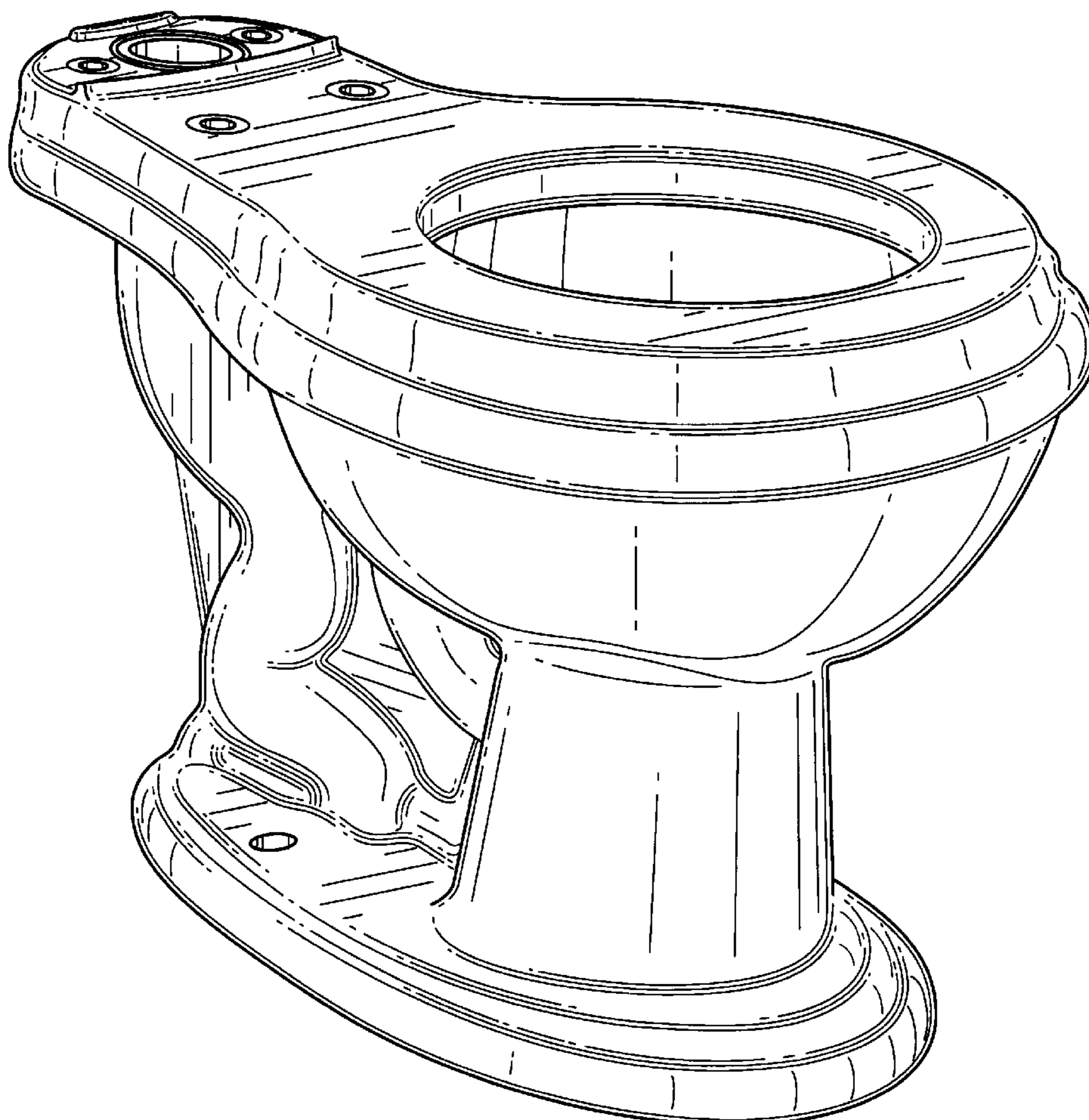
[57] **CLAIM**

The ornamental design for a toilet, as shown and described.

DESCRIPTION

FIG. 1 is a front, top and left side perspective view of a toilet showing another embodiment of my new design;
 FIG. 2 is a front elevational view of the toilet shown in FIG. 1;
 FIG. 3 is a back elevation view of the toilet shown in FIG. 1;
 FIG. 4 is a left side elevation view of the toilet shown in FIG. 1, the right side view being a mirror image of the left side;
 FIG. 5 is a top plan view of the toilet shown in FIG. 1; and,
 FIG. 6 is a bottom plan view of the toilet shown in FIG. 1.

1 Claim, 6 Drawing Sheets



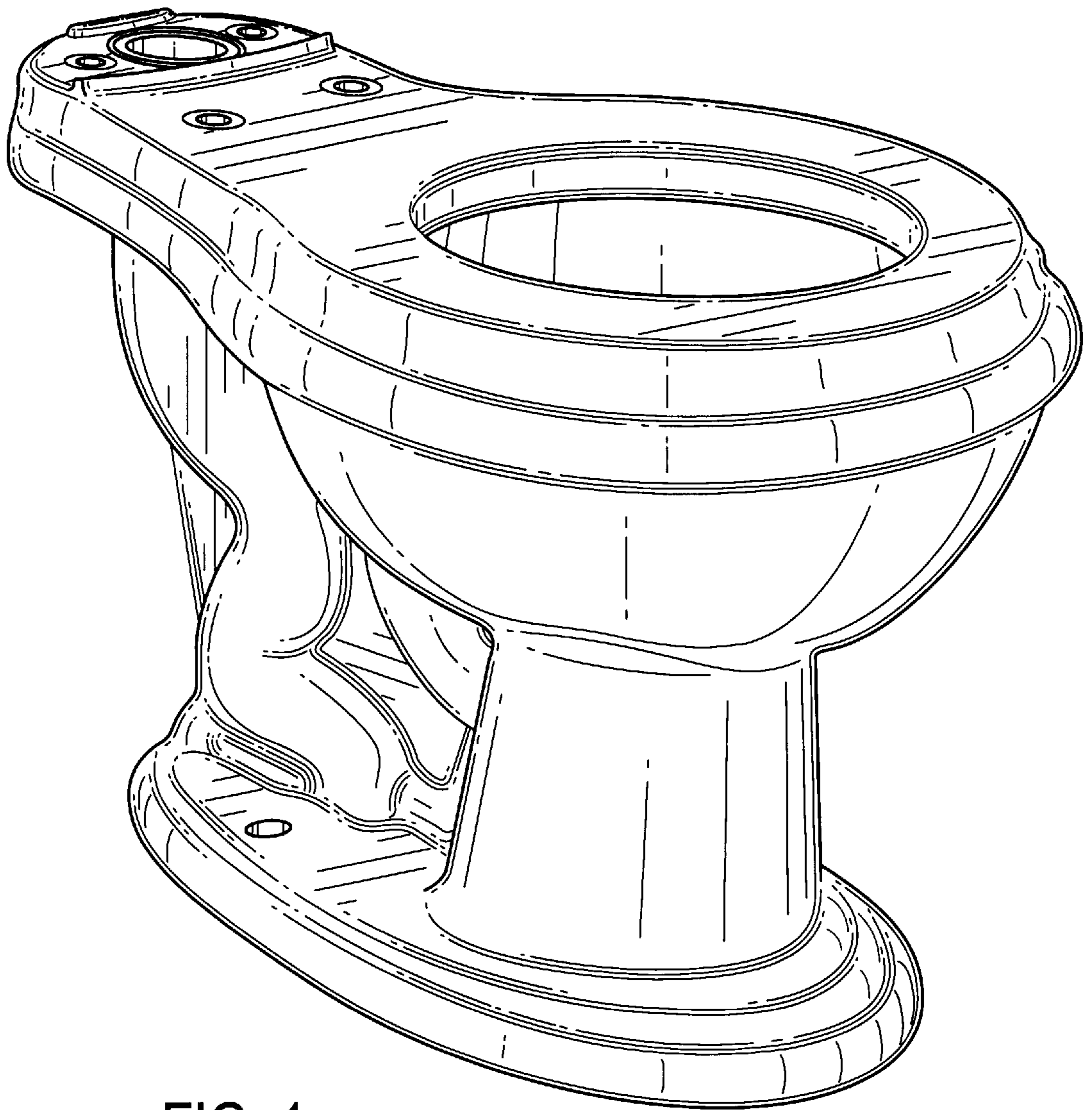


FIG. 1

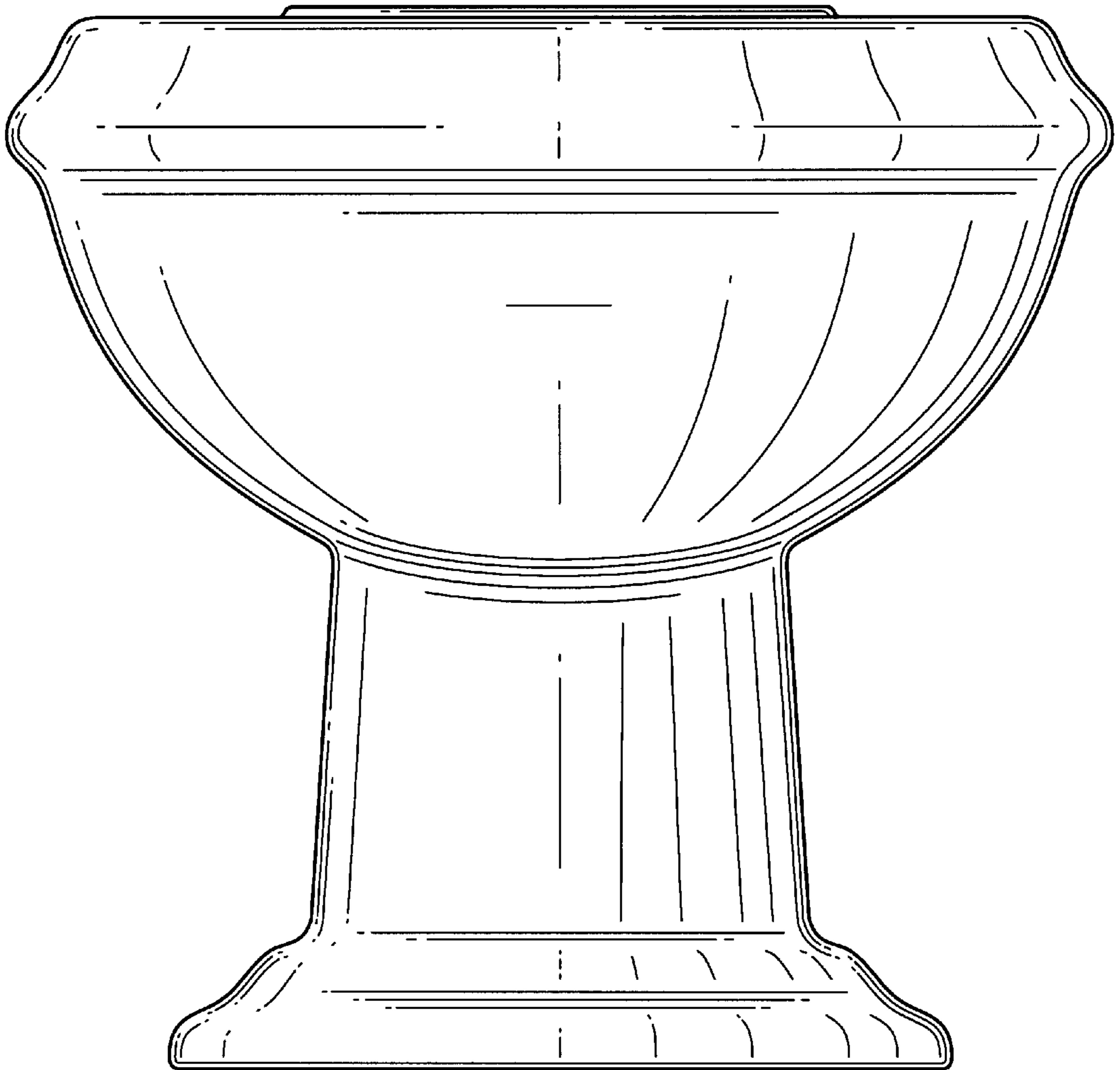


FIG. 2

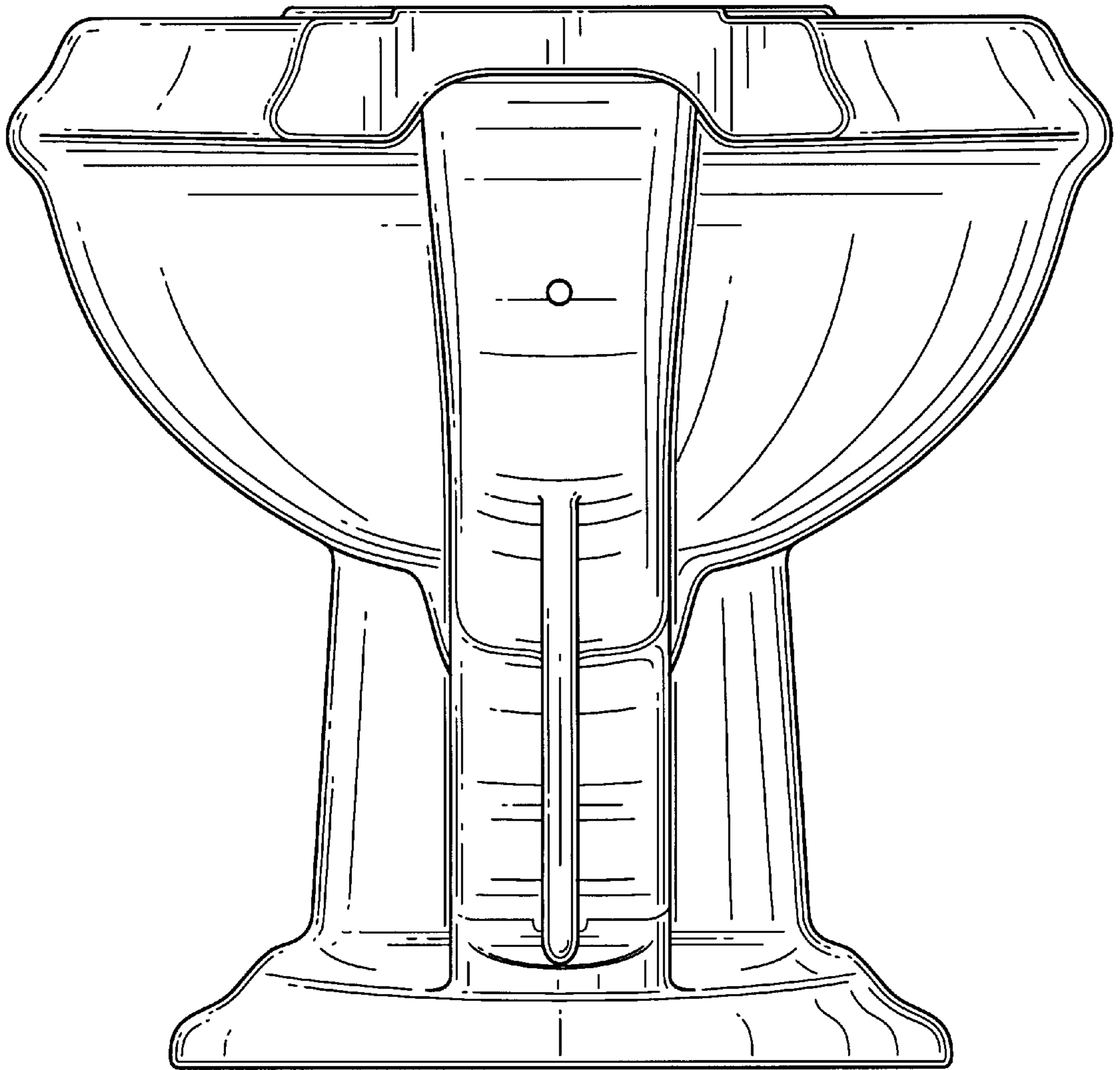


FIG. 3

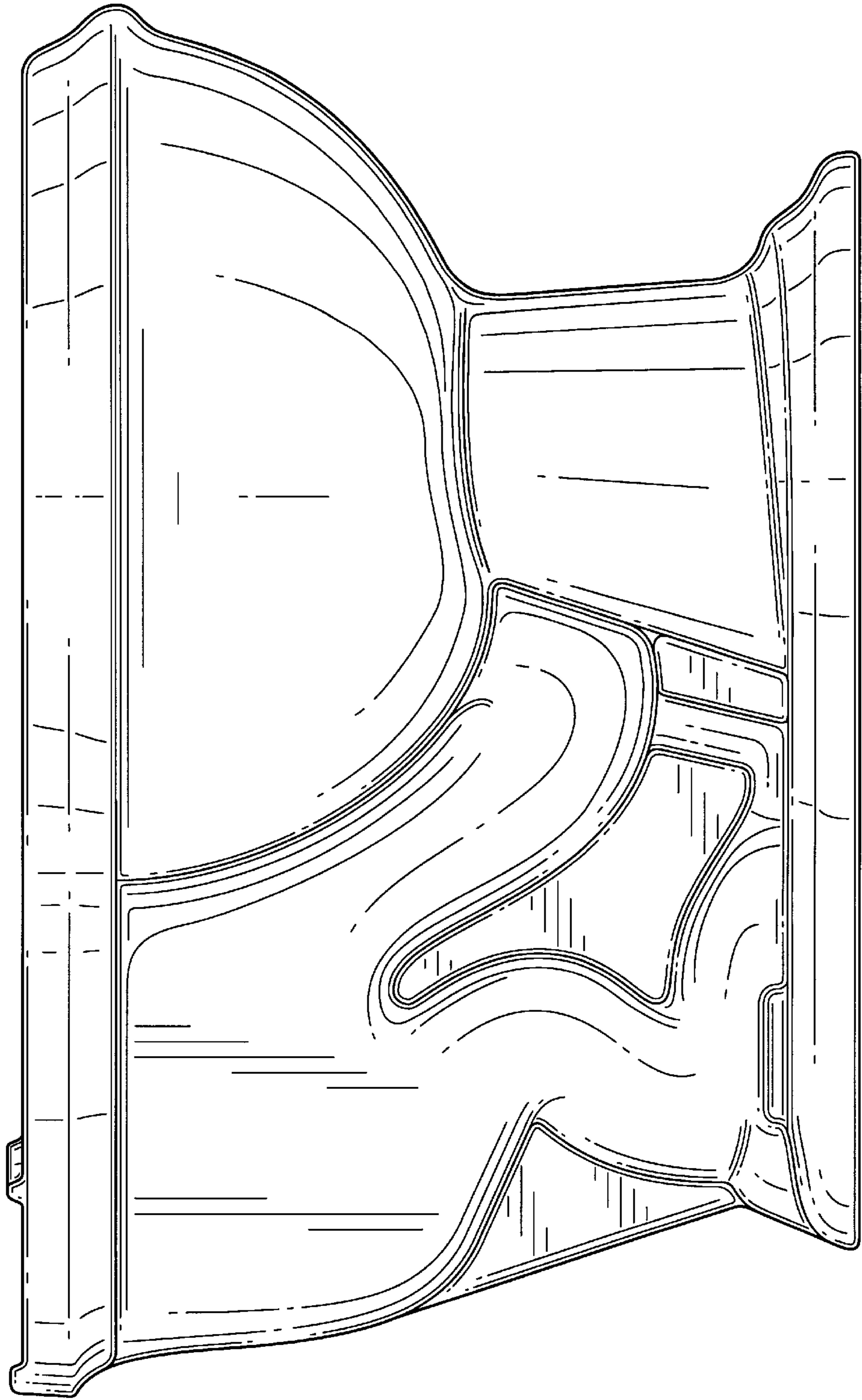


FIG. 4

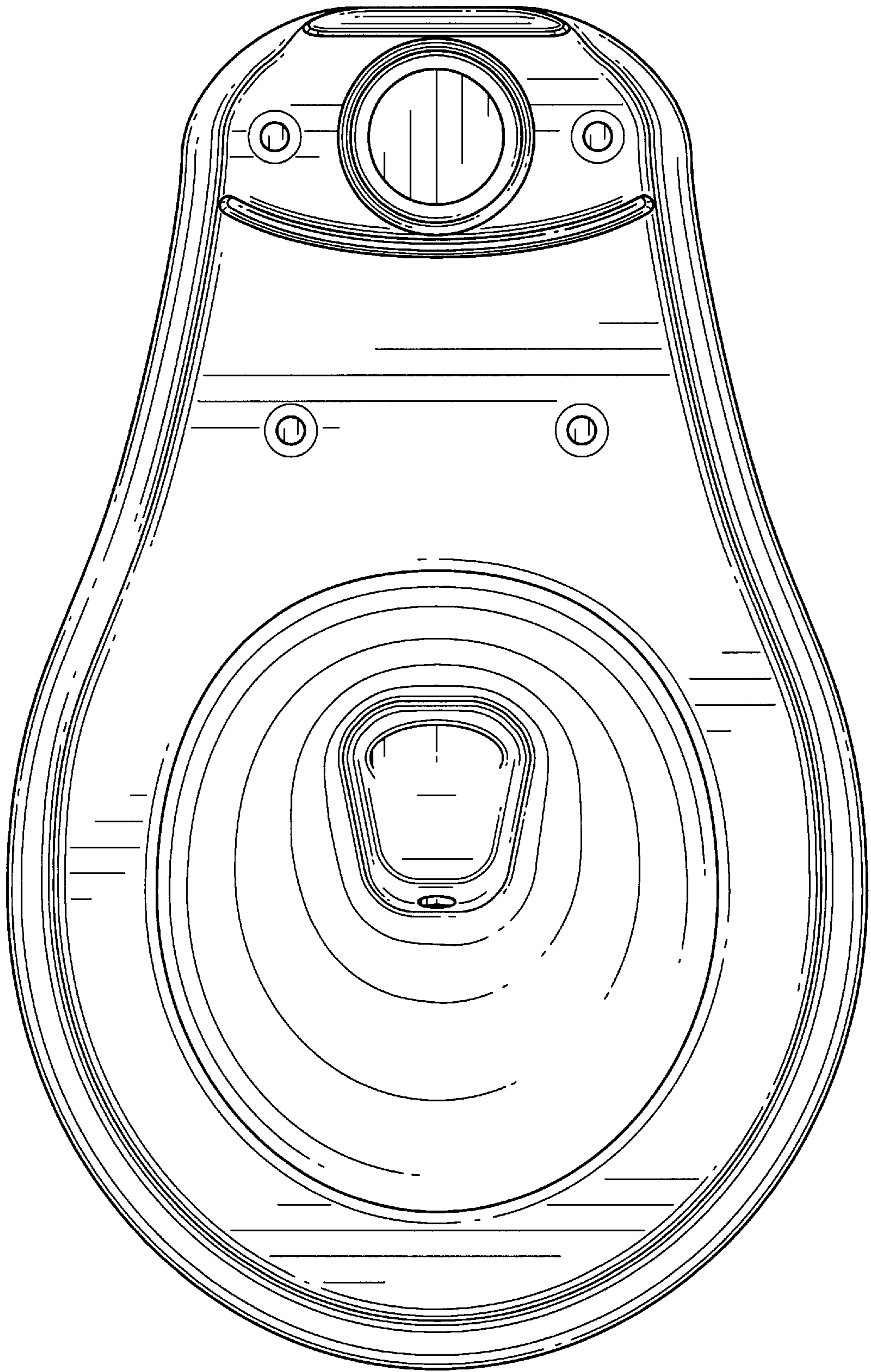


FIG. 5

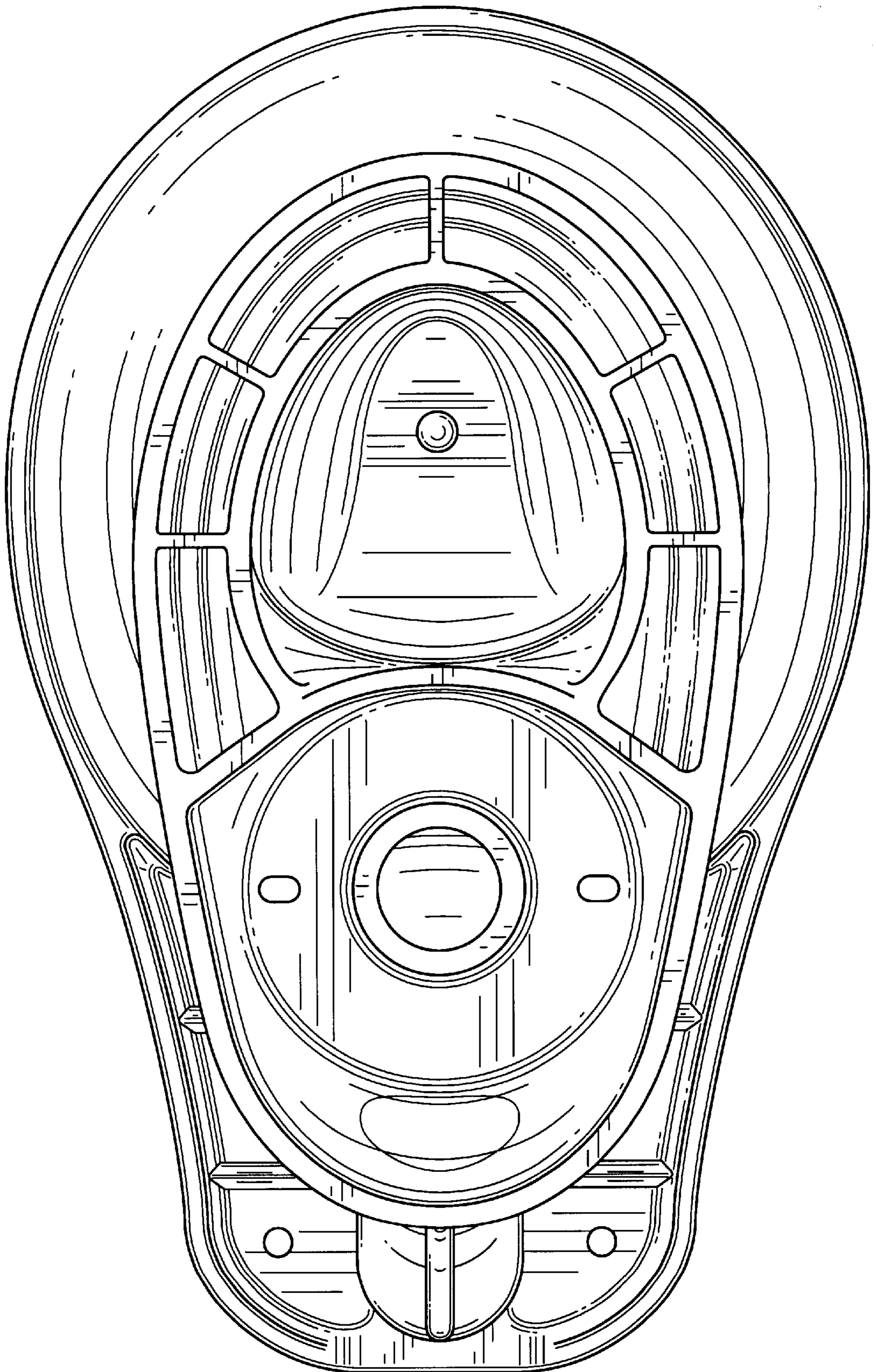


FIG. 6