



US00D429796S

# United States Patent [19] Fleischmann

[11] **Patent Number: Des. 429,796**

[45] **Date of Patent: \*\* Aug. 22, 2000**

[54] **FAUCET**

[75] **Inventor: Klaus Fleischmann, Krefeld, Germany**

[73] **Assignee: Hansa Metallwerke AG, Germany**

[\*\*] **Term: 14 Years**

[21] **Appl. No.: 29/083,211**

[22] **Filed: Feb. 4, 1998**

[30] **Foreign Application Priority Data**

Oct. 9, 1997 [DE] Germany ..... M 97 09 402

[51] **LOC (7) Cl. .... 23-01**

[52] **U.S. Cl. .... D23/238**

[58] **Field of Search .... D23/238-243,  
D23/250-257; D8/300-310; 4/675-678;  
137/801**

[56] **References Cited**

**U.S. PATENT DOCUMENTS**

D. 315,194 3/1991 Haug et al. .... D23/238

- D. 333,864 3/1993 Chretien ..... D23/238
- D. 347,265 5/1994 Gottwald ..... D23/239
- D. 353,442 12/1994 Formgren ..... D23/241
- D. 375,784 11/1996 Gottwald ..... D23/238
- D. 378,774 4/1997 Kergoet ..... D23/238

*Primary Examiner*—Eric Watterson

[57] **CLAIM**

I claim the ornamental design for a faucet, as shown and described.

**DESCRIPTION**

FIG. 1 is a left side elevation of of a faucet showing my new design.

FIG. 2 is a front with the bottom raised view

FIG. 3 is a rear view thereof.

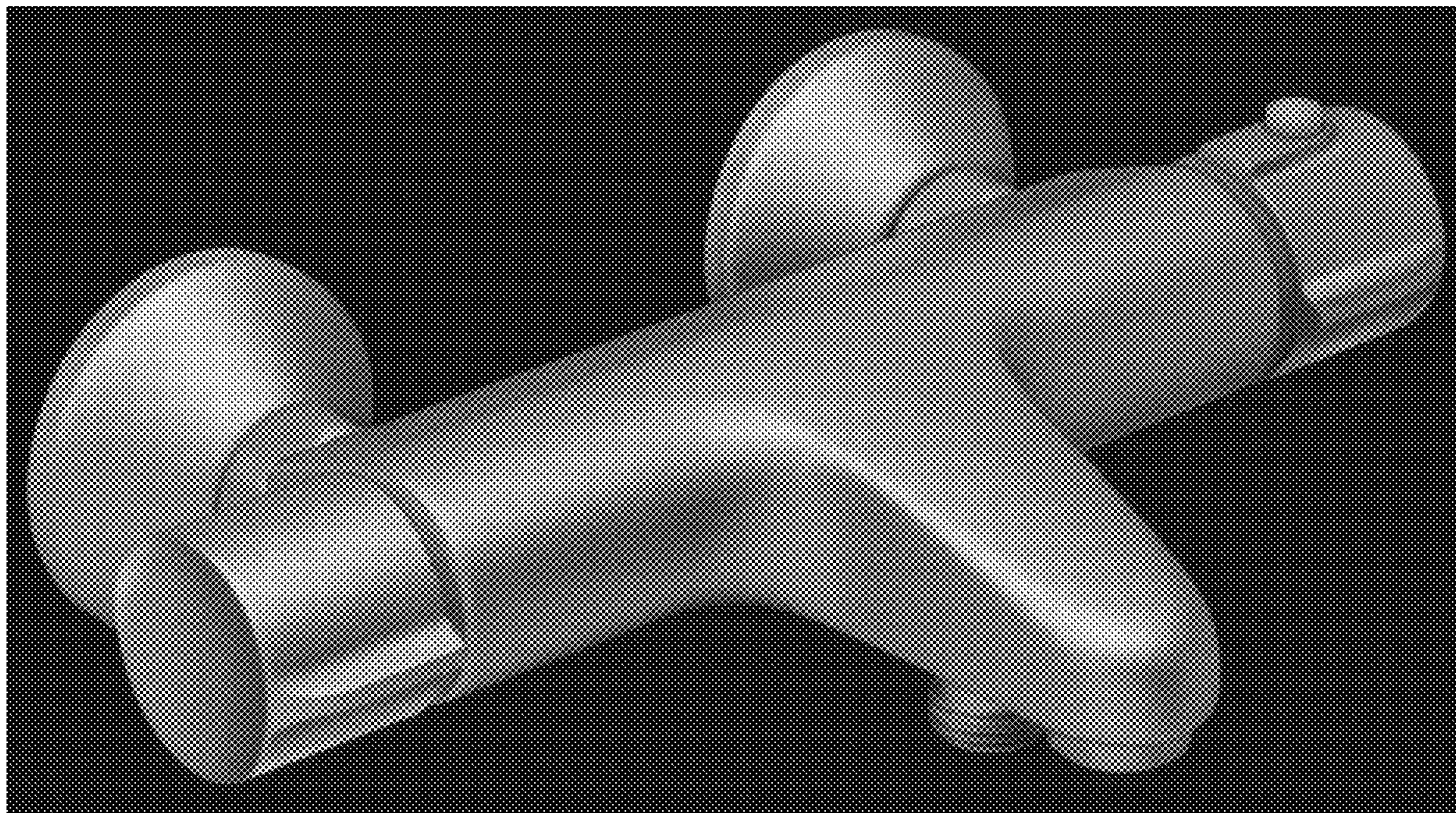
FIG. 4 is a top view thereof.

FIG. 5 is a bottom view thereof.

FIG. 6 is a perspective view thereof; and,

FIG. 7 is a right side elevation thereof.

**1 Claim, 7 Drawing Sheets**



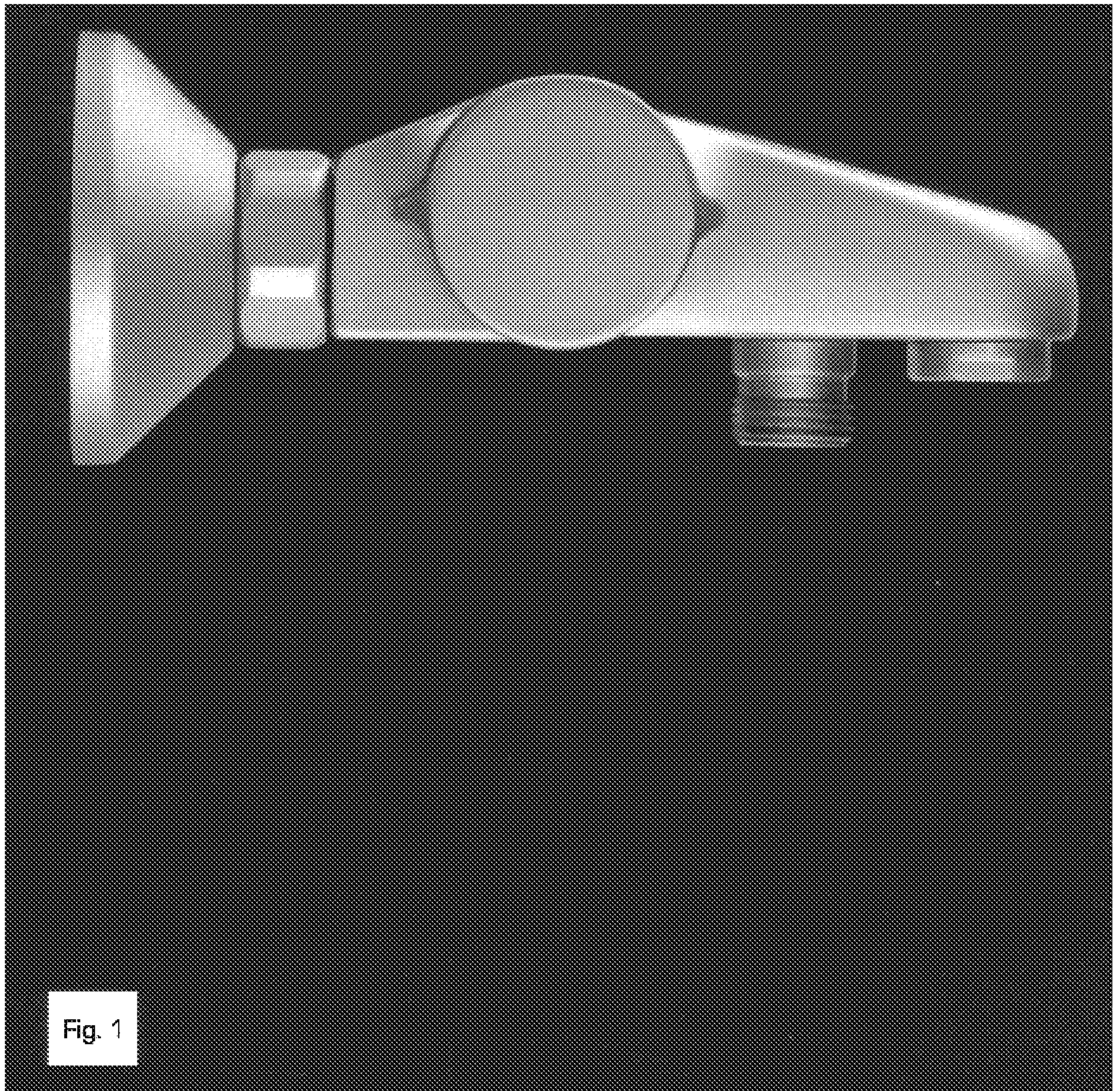


Fig. 1

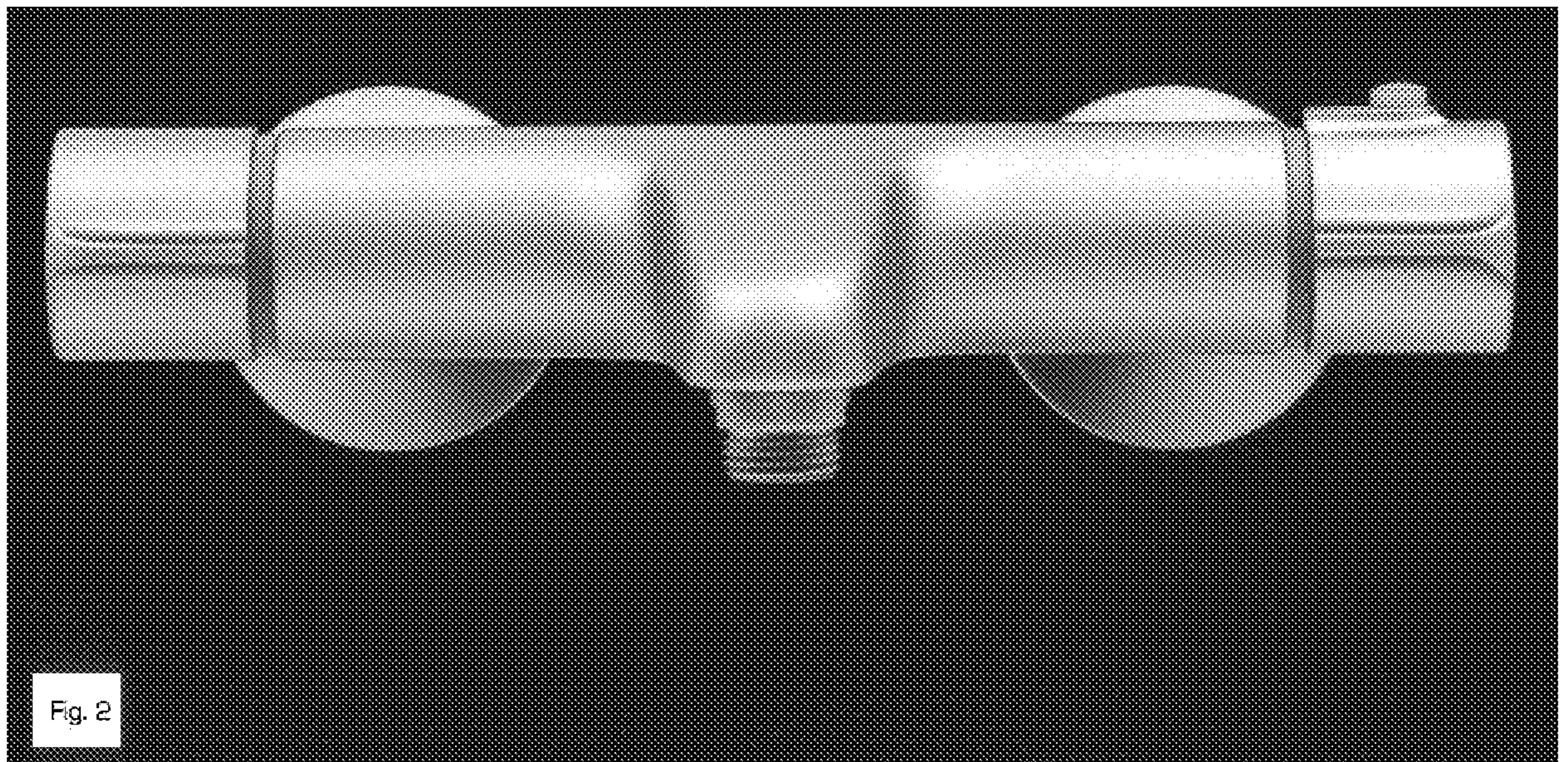


Fig. 2

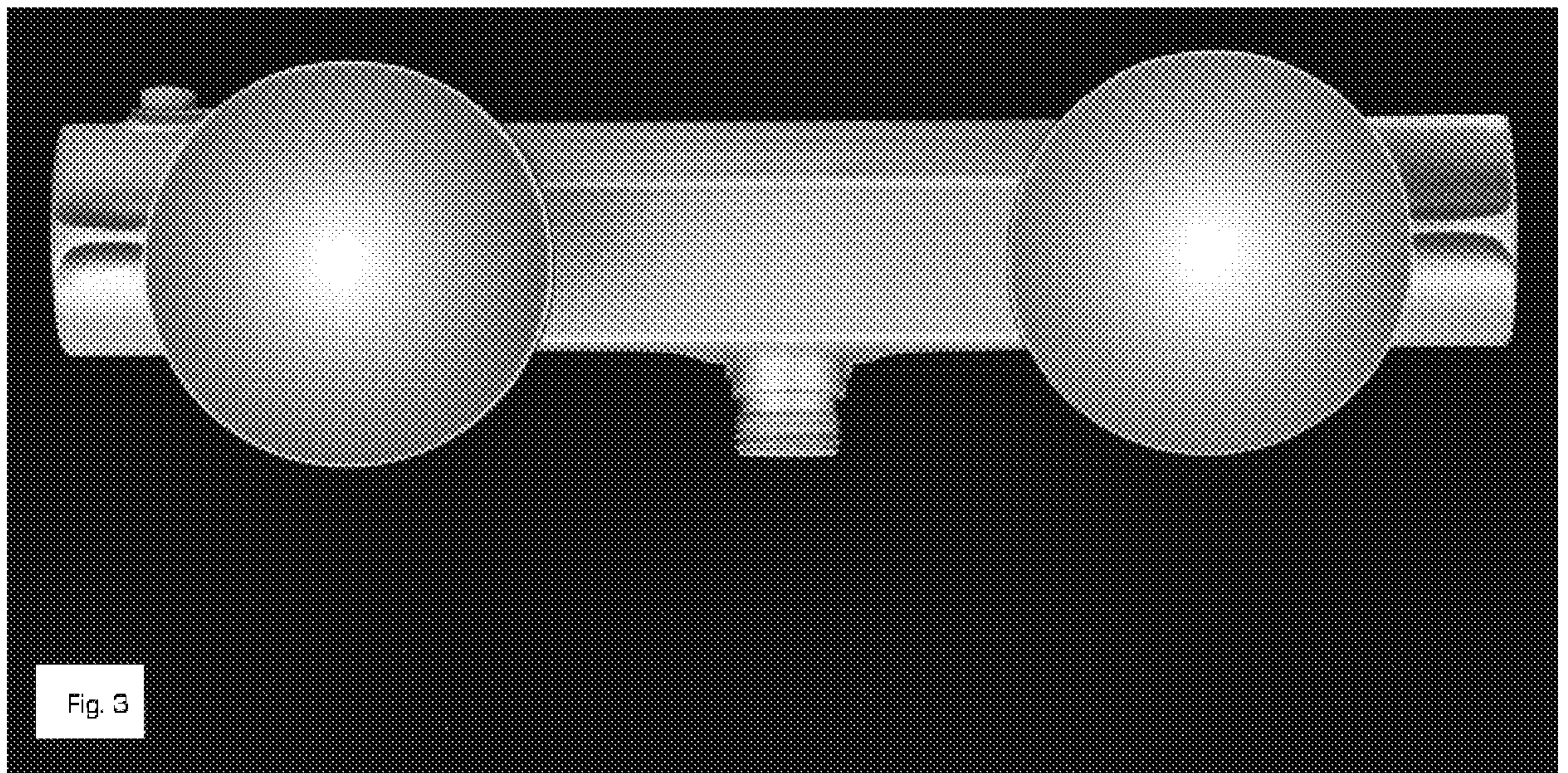


Fig. 3

