



US00D429788S

United States Patent [19]

Sutton et al.

[11] Patent Number: **Des. 429,788**

[45] Date of Patent: **** Aug. 22, 2000**

[54] ENCLOSED SLIDE

[75] Inventors: **Wesley D. Sutton**, Fort Payne; **Kim Blackwood**, Blountsville, both of Ala.

[73] Assignee: **Playcore, Inc.**, Fort Payne, Ala.

[**] Term: **14 Years**

[21] Appl. No.: **29/104,570**

[22] Filed: **May 7, 1999**

[51] **LOC (7) Cl.** **21-03**

[52] **U.S. Cl.** **D21/818**

[58] **Field of Search** D21/818-822;
482/35, 36; 472/116

[56] References Cited

U.S. PATENT DOCUMENTS

- D. 344,317 2/1994 Petersheim D21/818
- D. 361,116 8/1995 Shaneour D21/818
- D. 378,848 4/1997 King D21/818

OTHER PUBLICATIONS

GameTime Park & Playground 1998 Catalog, pp. 69-74.

Primary Examiner—Mitchell Siegel
Attorney, Agent, or Firm—Welsh & Katz, Ltd.

[57] CLAIM

The ornamental design for a enclosed slide, as shown and described.

DESCRIPTION

FIG. 1 is a perspective view of the enclosed slide design of the subject invention;

FIG. 2 is a left side view of the enclosed slide design of the subject invention of FIG. 1;

FIG. 3 is a right side view of the enclosed slide design of FIG. 1;

FIG. 4 is a front view of the enclosed slide design of FIG. 1;

FIG. 5 is a rear view of the enclosed slide design of FIG. 1;

FIG. 6 is a top view of the enclosed slide design of FIG. 1; and,

FIG. 7 is a bottom view of the enclosed slide design of FIG. 1.

The broken line showing is for illustrative purposes only and forms no part of the claimed design.

1 Claim, 5 Drawing Sheets

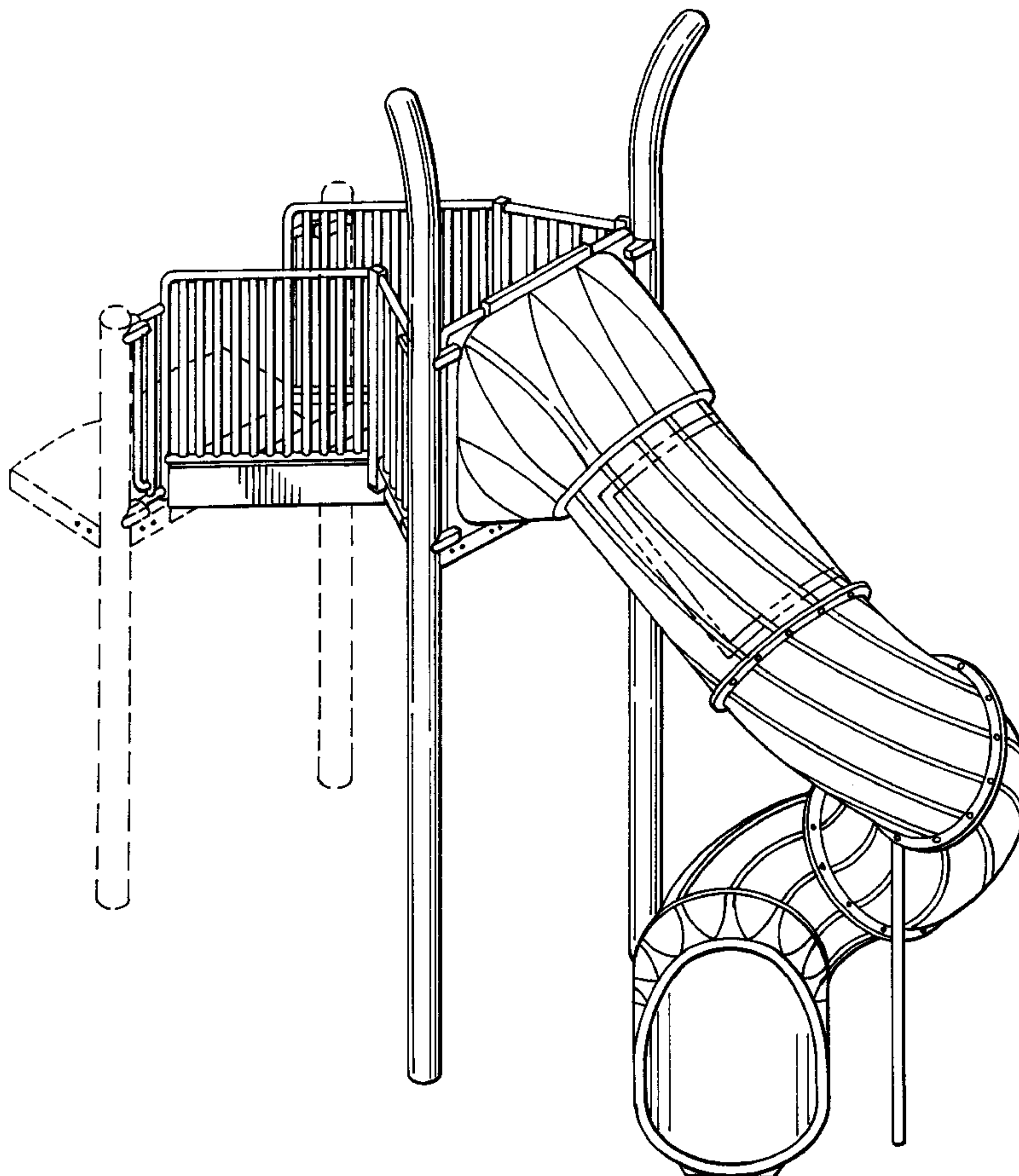


FIG. 1

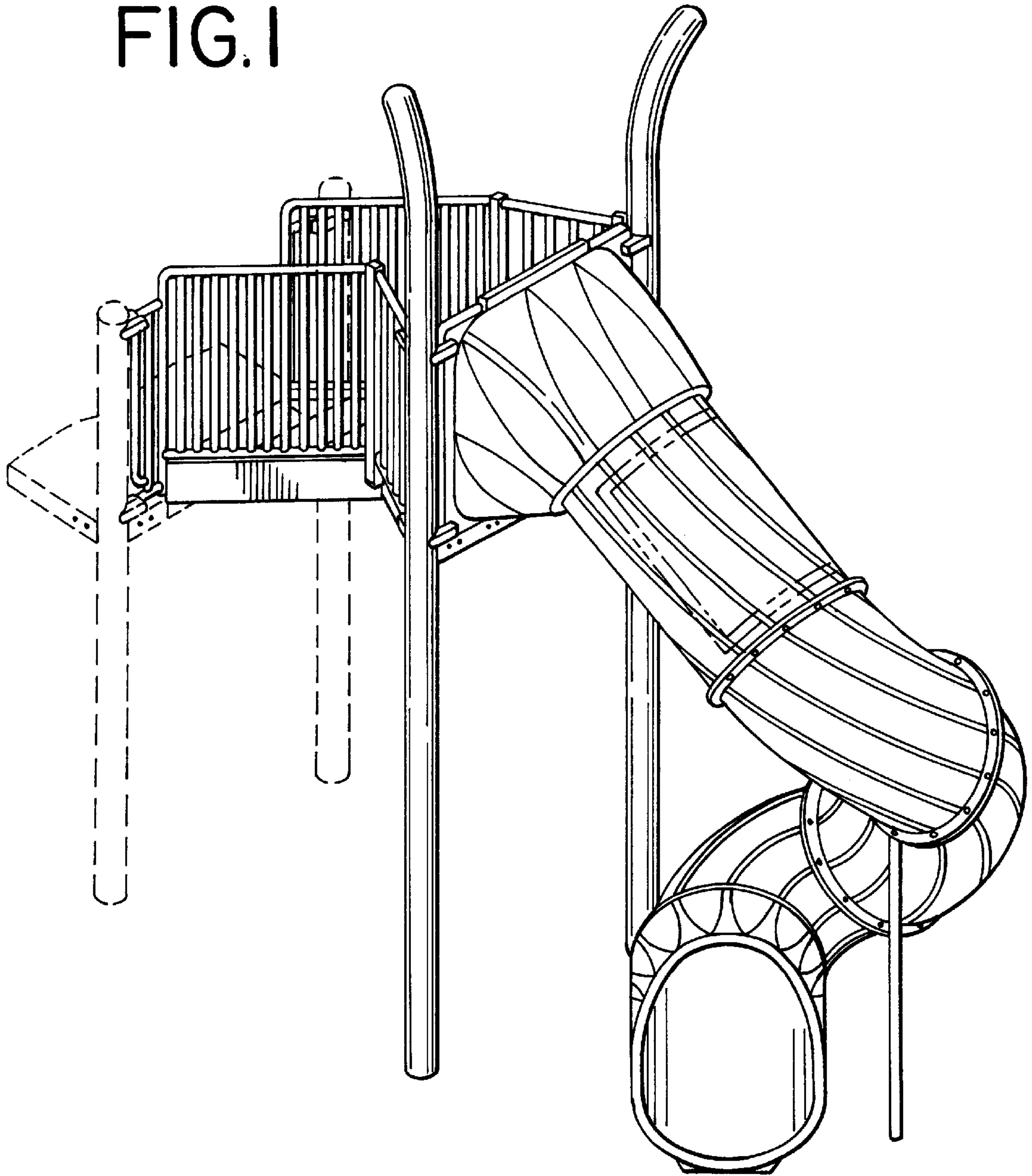


FIG. 2

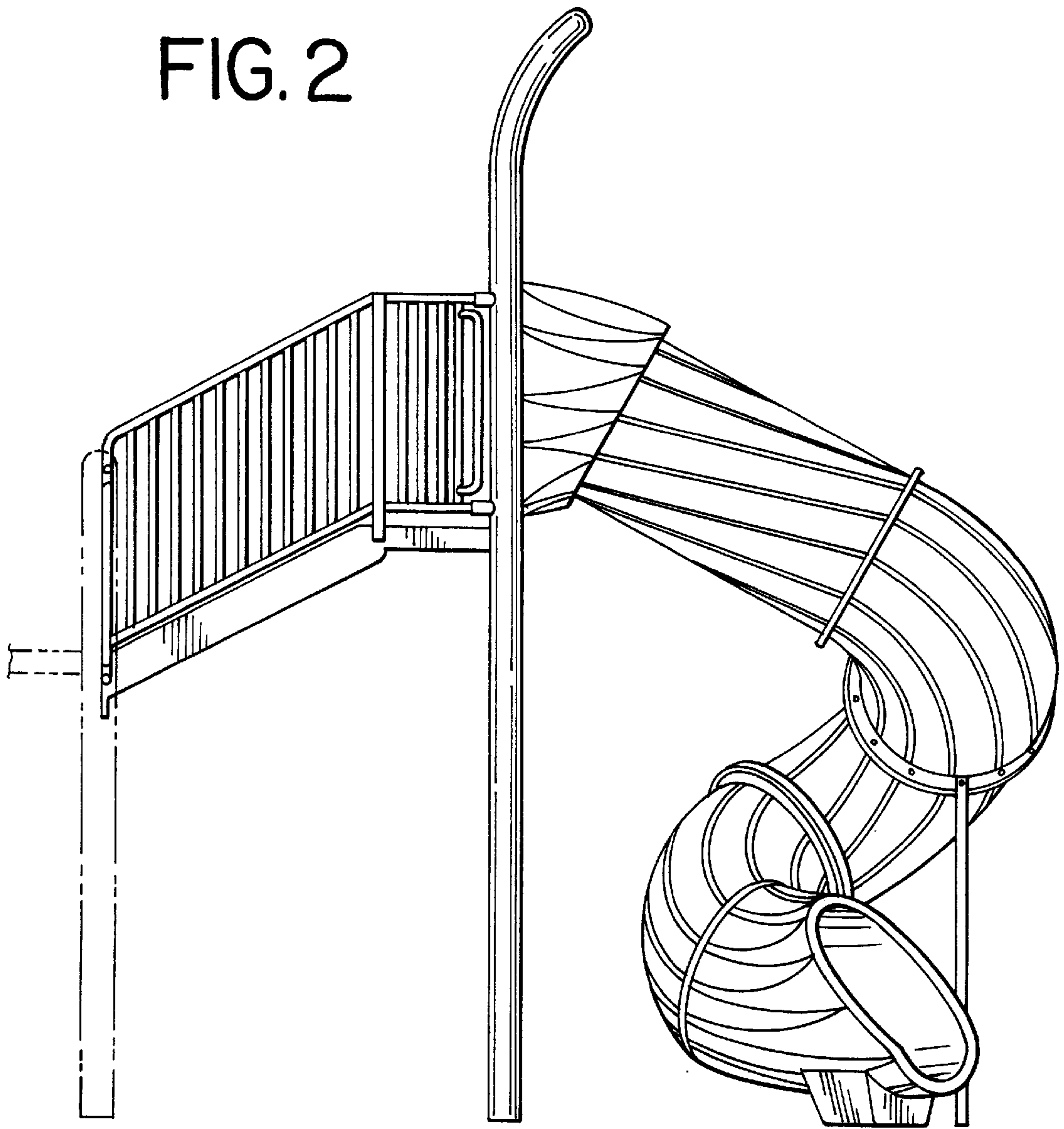


FIG. 3

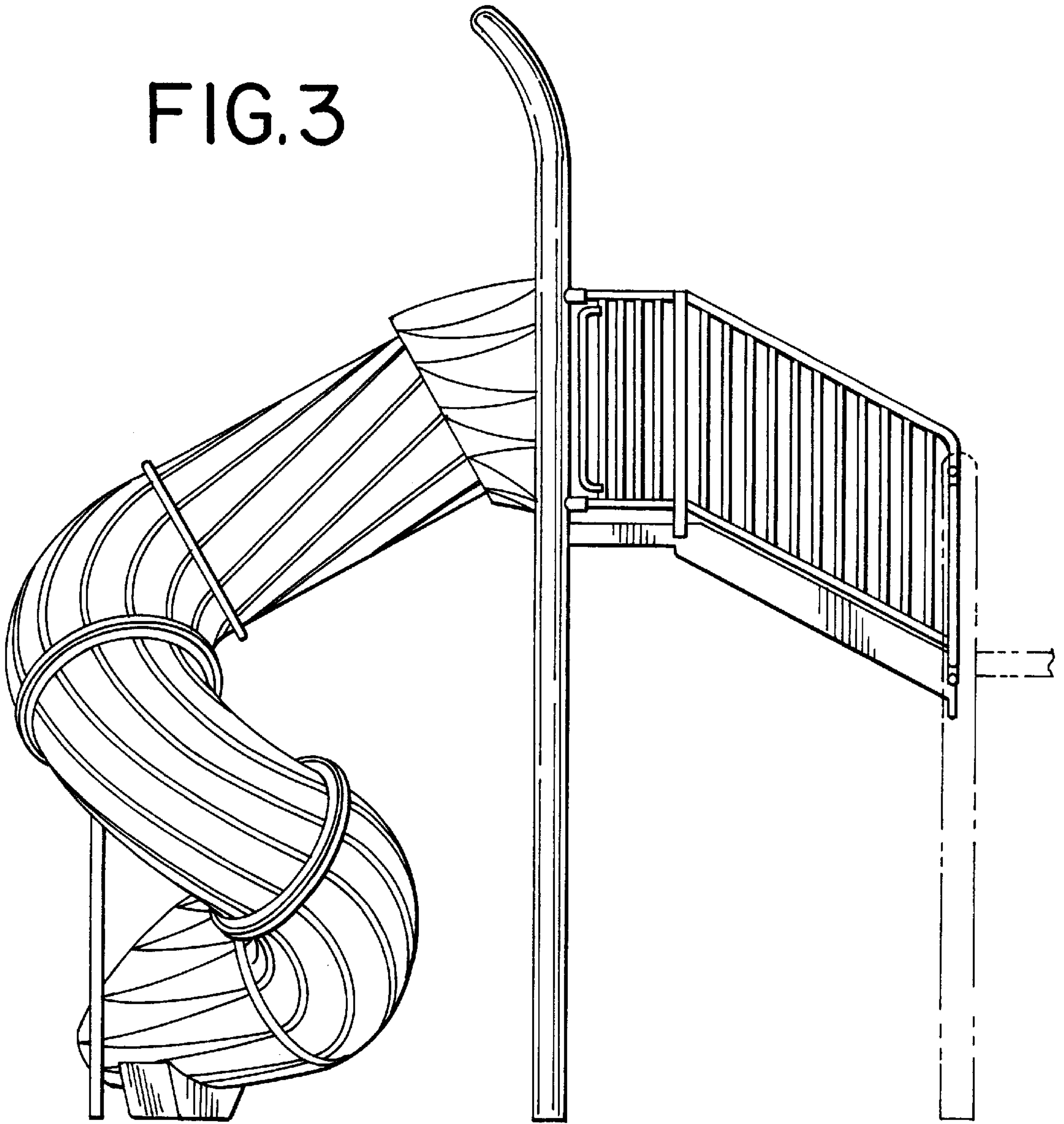


FIG.4

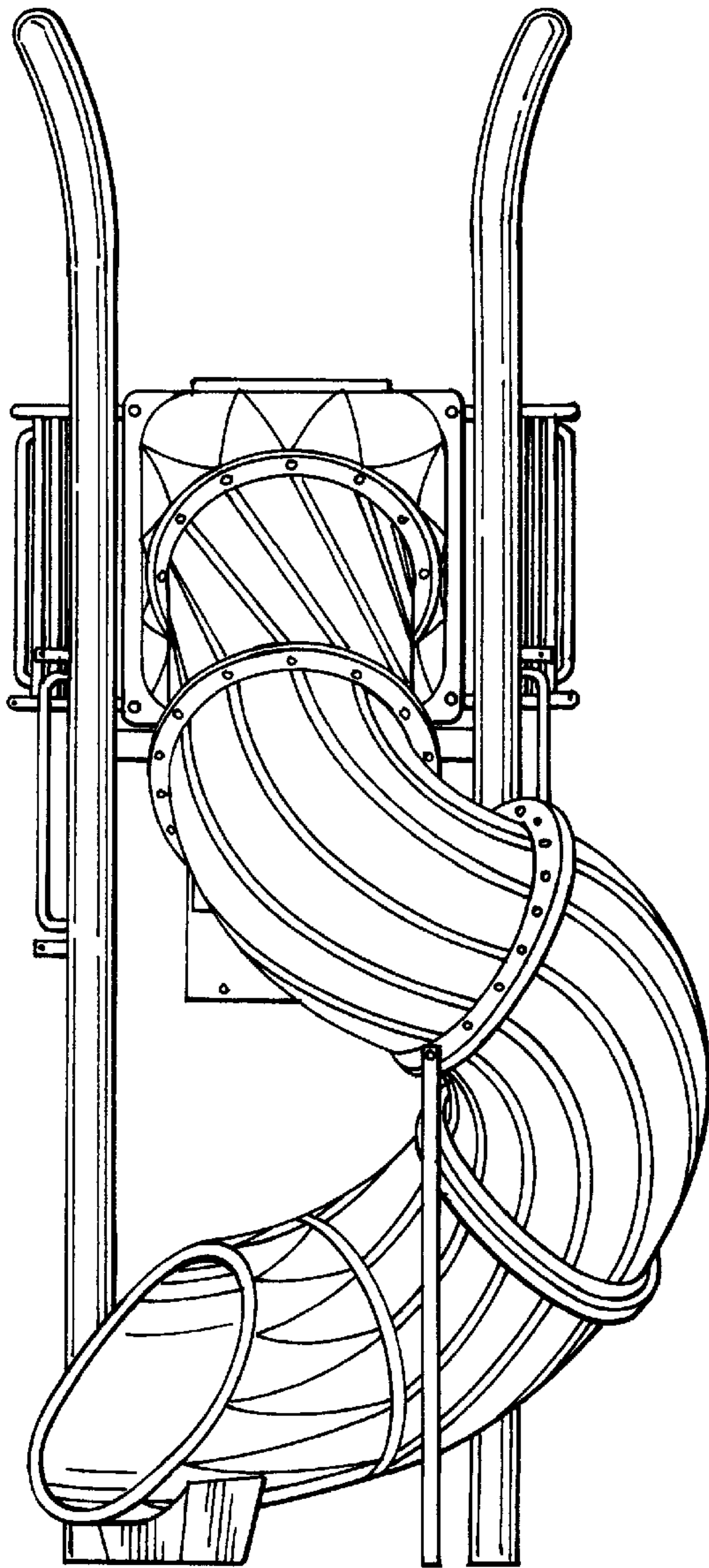


FIG.5

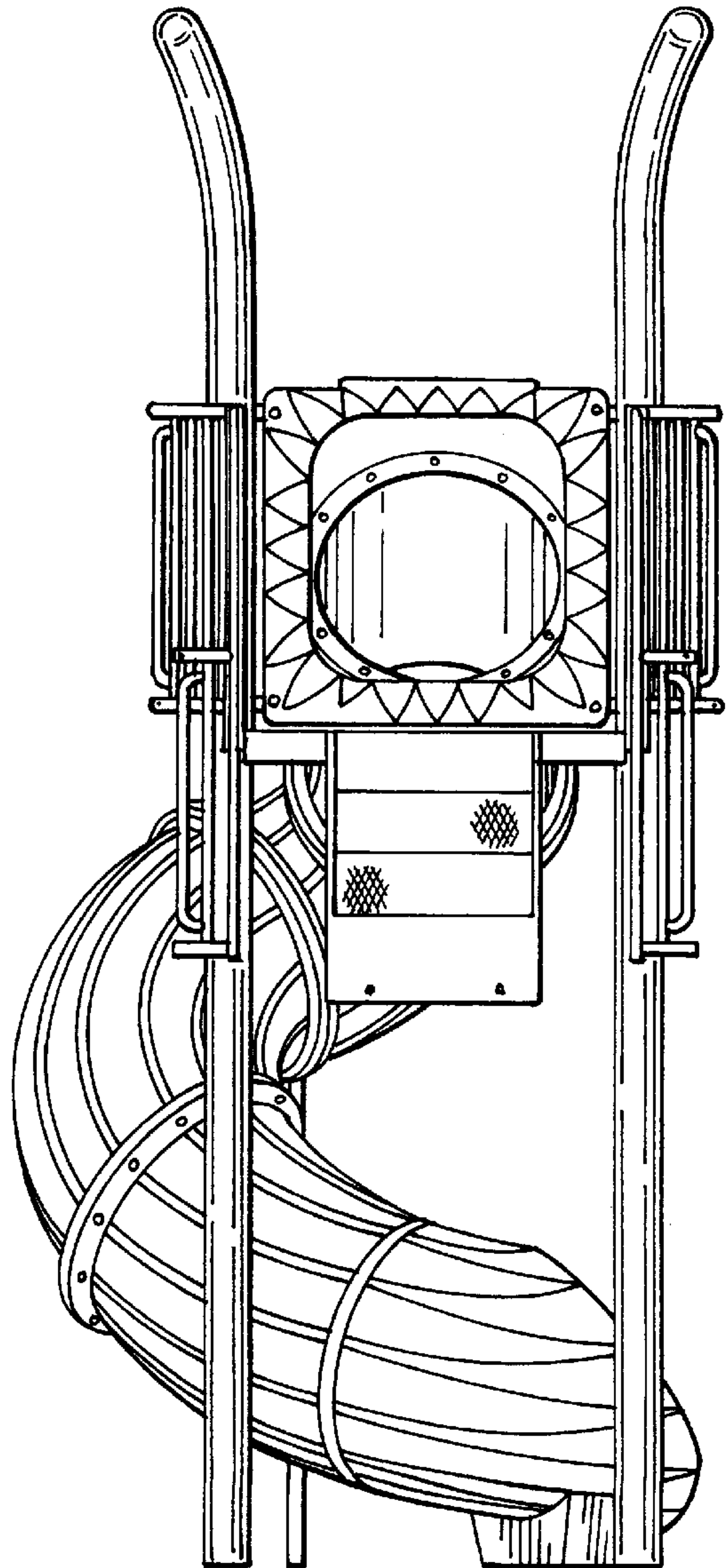


FIG.6

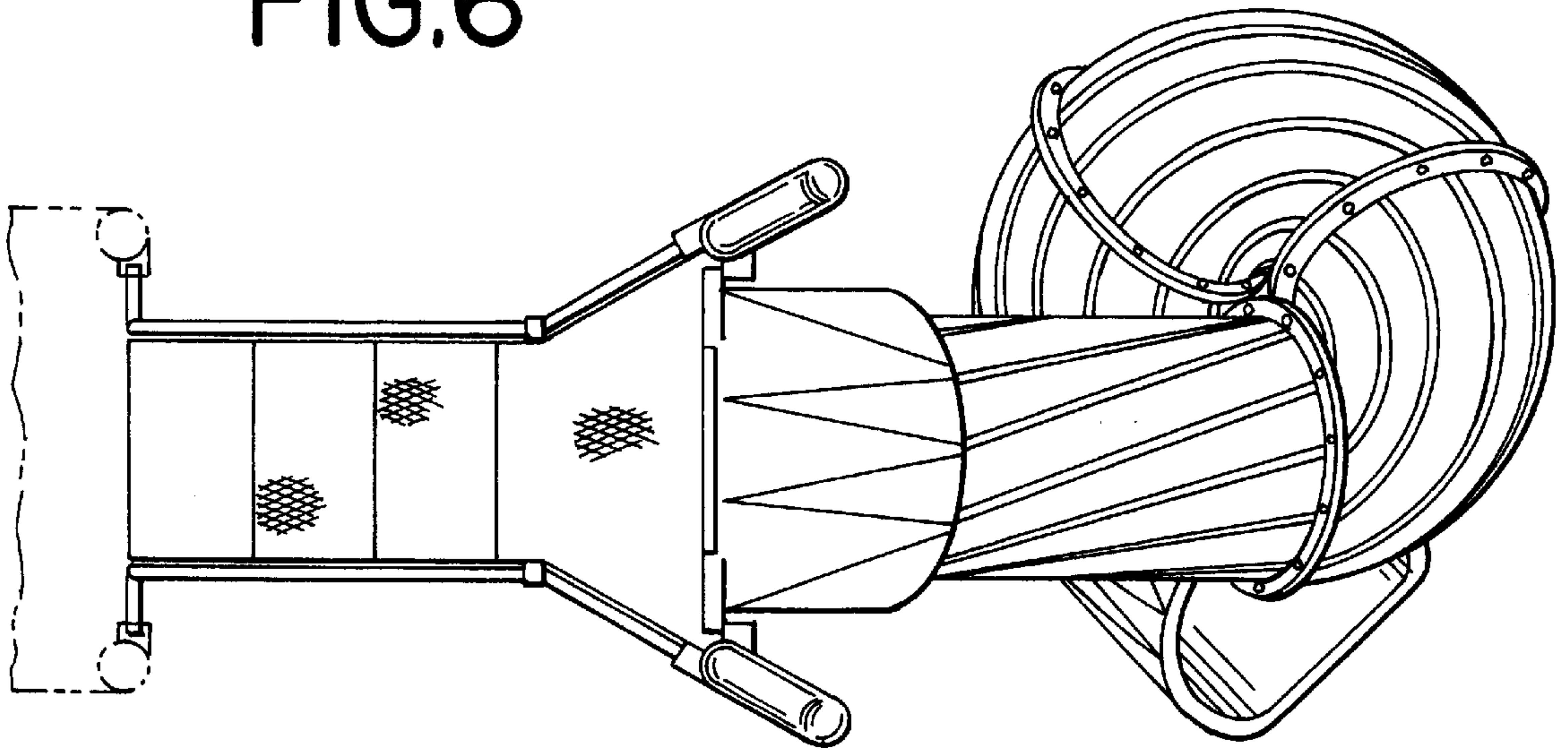


FIG.7

