



US00D429784S

# United States Patent [19] Brown

[11] **Patent Number: Des. 429,784**

[45] **Date of Patent: \*\* Aug. 22, 2000**

[54] **BASKETBALL REBOUND TRAINER**

[76] Inventor: **Jackie L. Brown**, 125 2nd St. J.P.V.,  
Winter Haven, Fla. 33880

[\*\*] Term: **14 Years**

[21] Appl. No.: **29/111,788**

[22] Filed: **Oct. 5, 1999**

[51] **LOC (7) Cl.** ..... **21-02**

[52] **U.S. Cl.** ..... **D21/704**

[58] **Field of Search** ..... D21/701-704,  
D21/781, 483, 488, 503; 473/449, 479;  
D3/271, 273, 302; D9/307, 513

[56] **References Cited**

**U.S. PATENT DOCUMENTS**

D. 336,123	6/1993	Lamberti	.....	D21/703
D. 375,460	11/1996	Tanaka	.....	D9/451
D. 386,306	11/1997	Zimmerman	.....	D3/273
2,694,572	11/1954	Crisp	.....	473/449

2,710,189	6/1955	Carroll	.....	473/449
3,173,687	3/1965	Hair	.....	473/449
3,348,840	10/1967	Dix	.....	473/449
3,910,574	10/1975	Voltz et al.	.....	473/449

*Primary Examiner*—Richelle Shelton  
*Attorney, Agent, or Firm*—William M. Hobby, III

[57] **CLAIM**

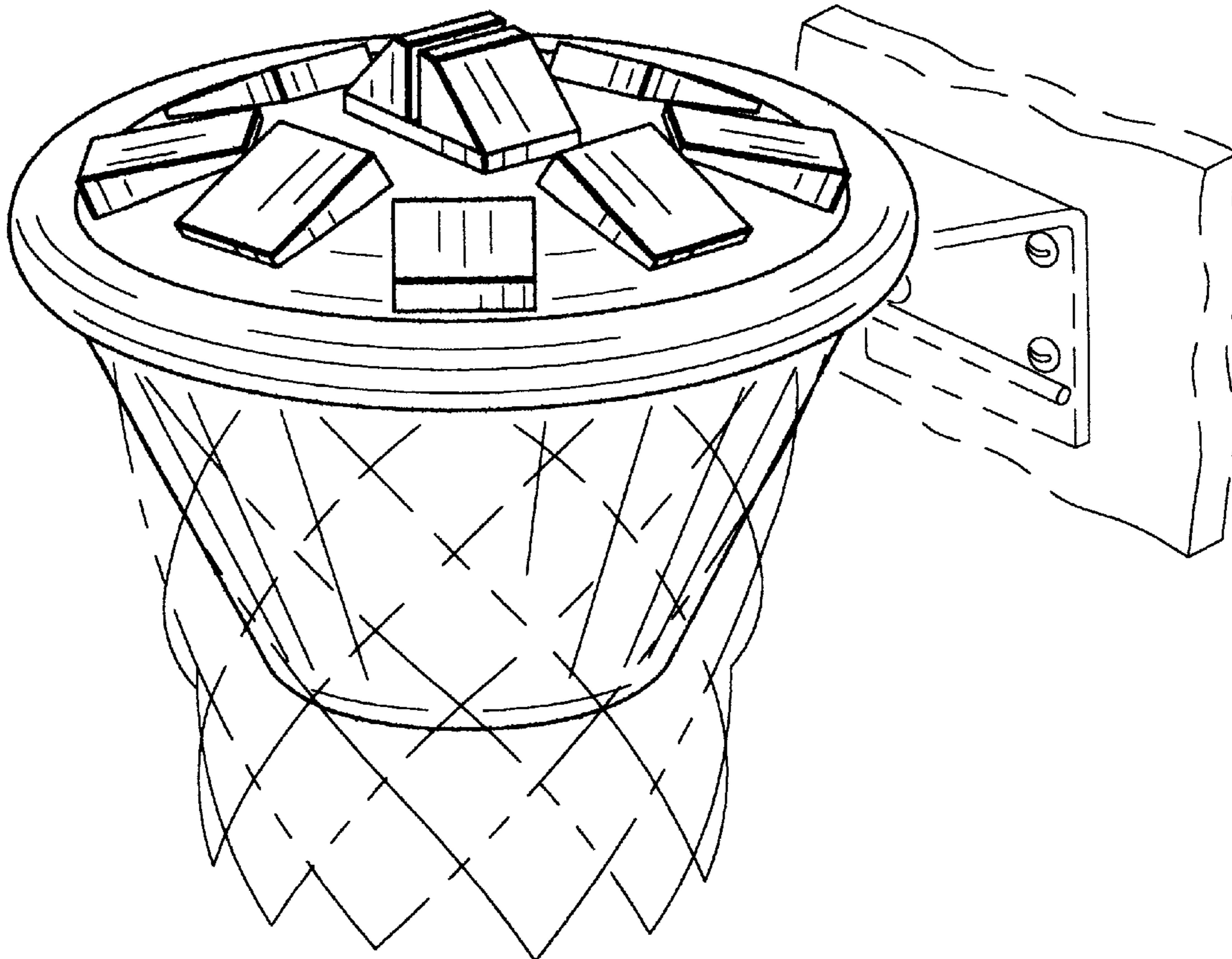
The ornamental design for a basketball rebound trainer, as shown and described.

**DESCRIPTION**

FIG. 1 is a front right side perspective view of my new basketball rebound trainer;  
FIG. 2 is a front elevation;  
FIG. 3 is a left side elevation;  
FIG. 4 is a top plan view; and,  
FIG. 5 is a bottom plan view.

The broken line showing in FIG. 1 is for illustrative purposes only and forms no part of the claimed design.

**1 Claim, 2 Drawing Sheets**



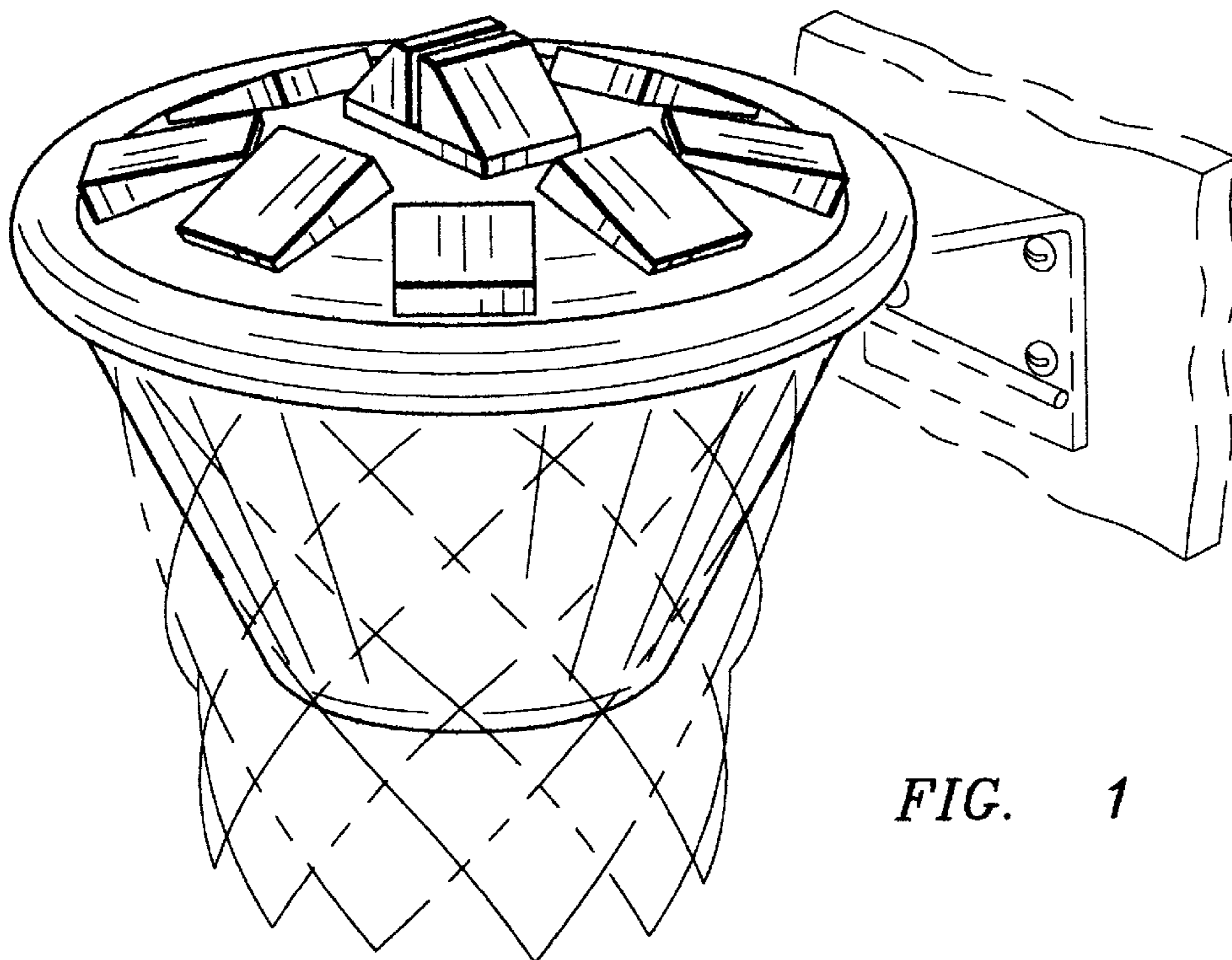


FIG. 1

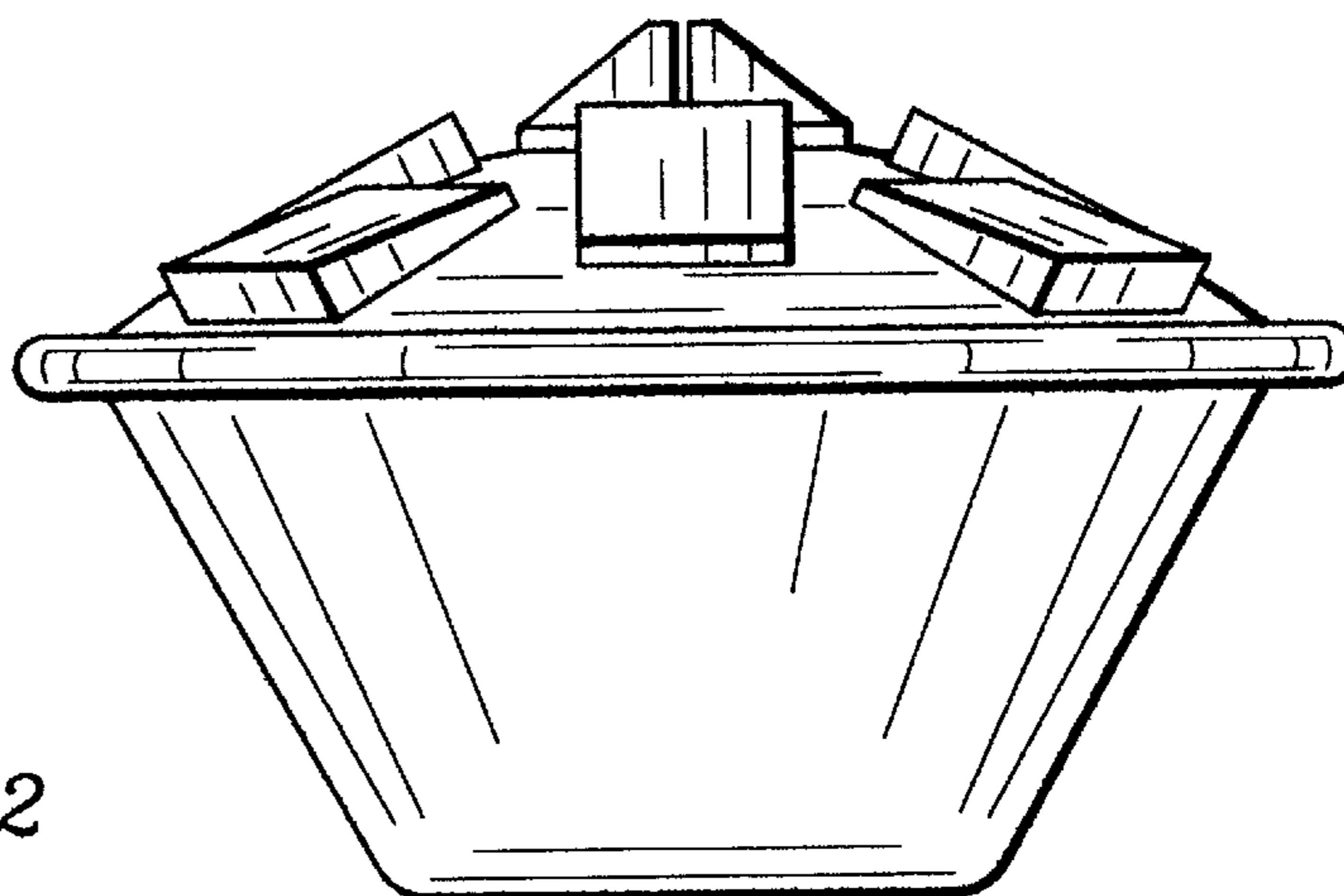


FIG. 2

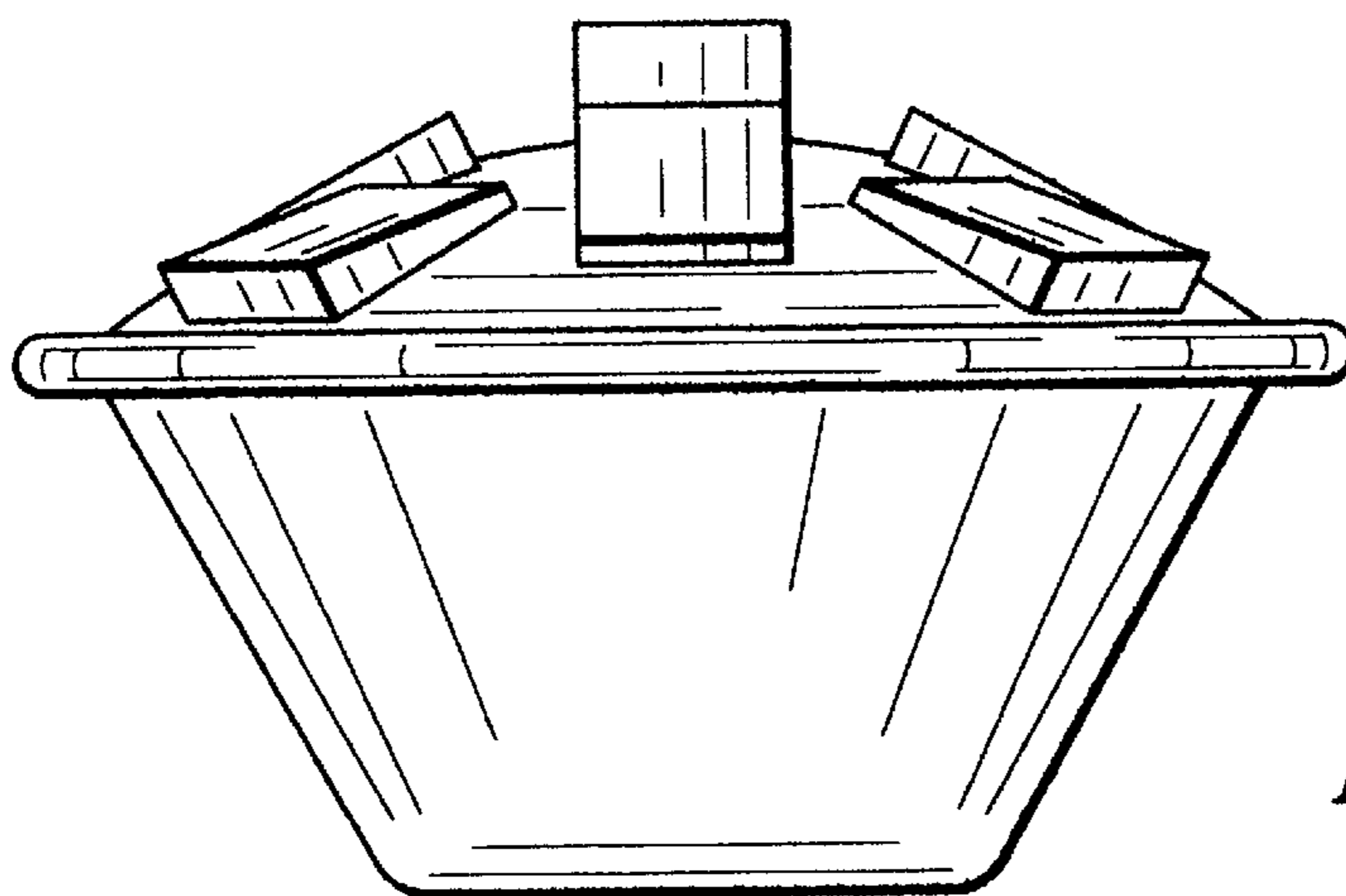


FIG. 3

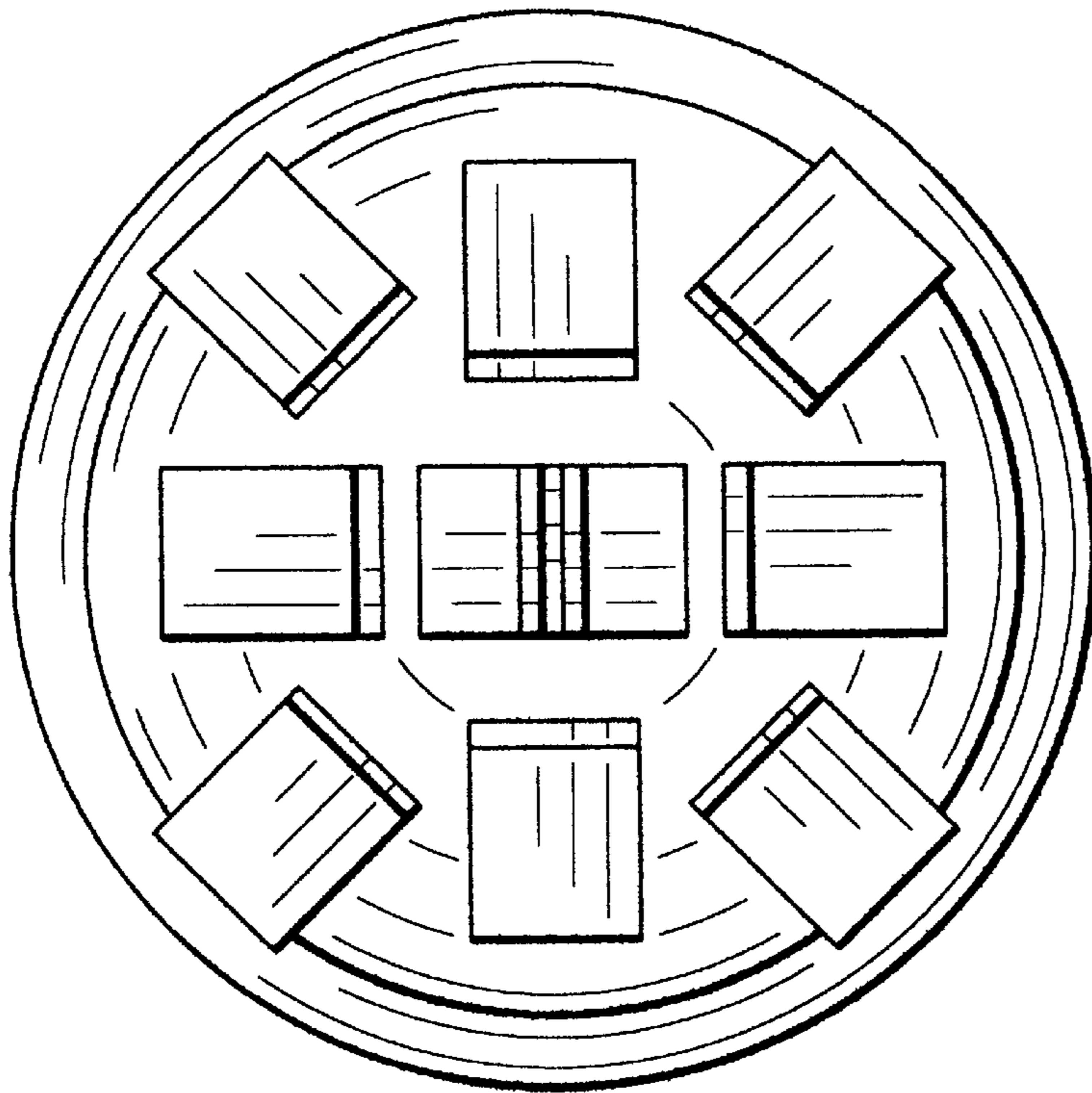


FIG. 4

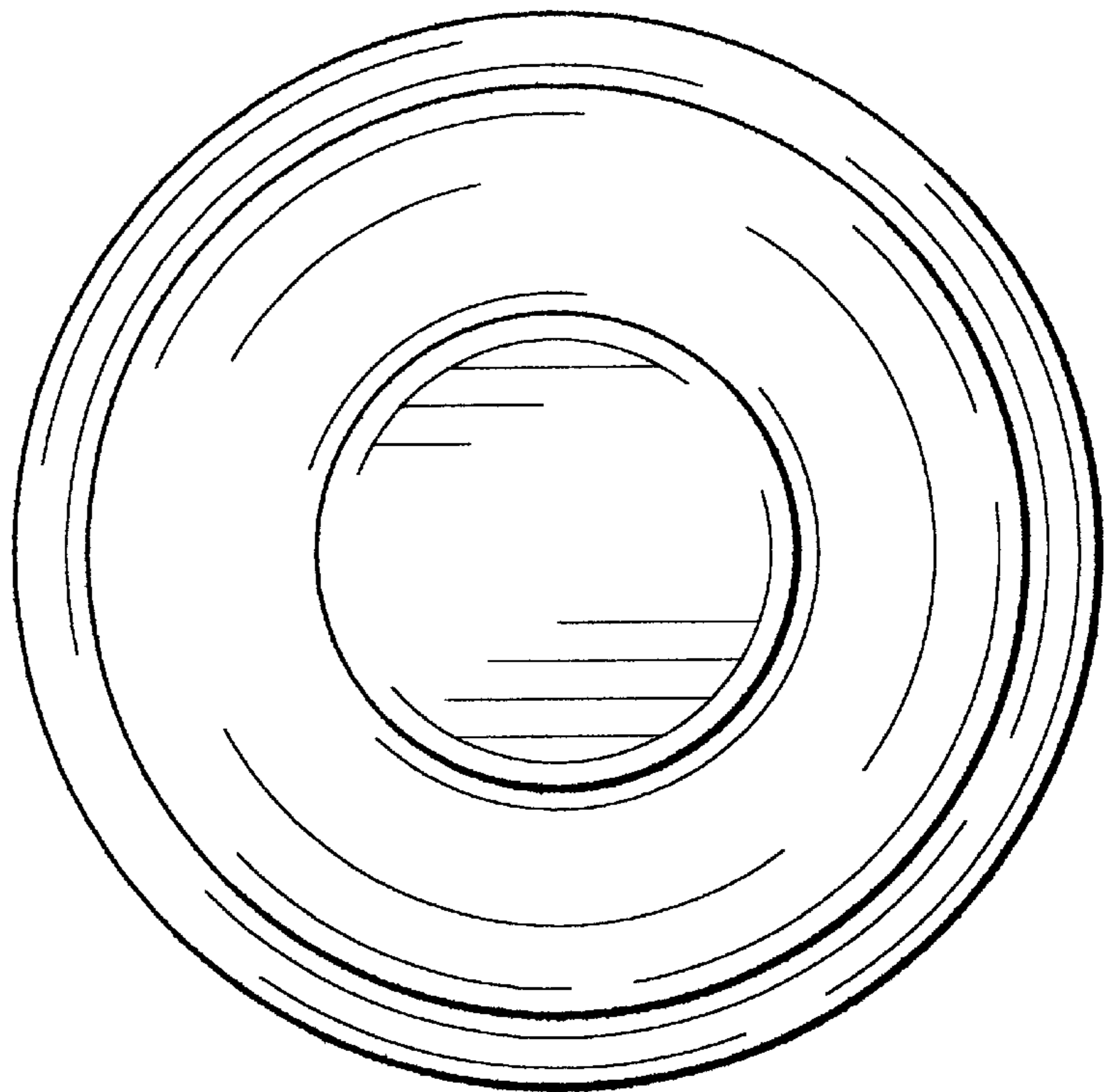


FIG. 5