



US00D429778S

United States Patent [19]
D'Andrade et al.

[11] **Patent Number: Des. 429,778**

[45] **Date of Patent: ** Aug. 22, 2000**

[54] **WATER GUN**

[75] Inventors: **Bruce M. D'Andrade, deceased**, late of Whitehouse Station, N.J.; **Mary Ann D'Andrade, executrix**, Whitehouse Station, N.J.; **Jose Longoria**, Miami, Fla.

[73] Assignee: **Bruce M. D'Andrade**, Whitehouse, N.J.

[**] Term: **14 Years**

[21] Appl. No.: **29/090,015**

[22] Filed: **Jun. 29, 1998**

[51] **LOC (7) Cl.** **21-01**

[52] **U.S. Cl.** **D21/572**

[58] **Field of Search** D21/567, 572-575; D23/225, 226; 446/267, 473, 475; 222/78, 79; 239/211, 237, 229, 373; D14/117.8; D22/103; 124/78, 6, 16, 27

[56] **References Cited**

U.S. PATENT DOCUMENTS

D. 318,309 7/1991 D'Andrade D21/572

D. 348,912 7/1994 Caminos et al. D21/572
D. 385,586 10/1997 Hanatani et al. D14/117.8
5,261,384 11/1993 Hu 446/473
5,799,827 9/1998 D'Andrade 222/79
5,826,750 10/1998 Johnson 222/79

Primary Examiner—Raphael Barkai
Attorney, Agent, or Firm—Akin, Gump, Strauss, Hauer & Feld, L.L.P.

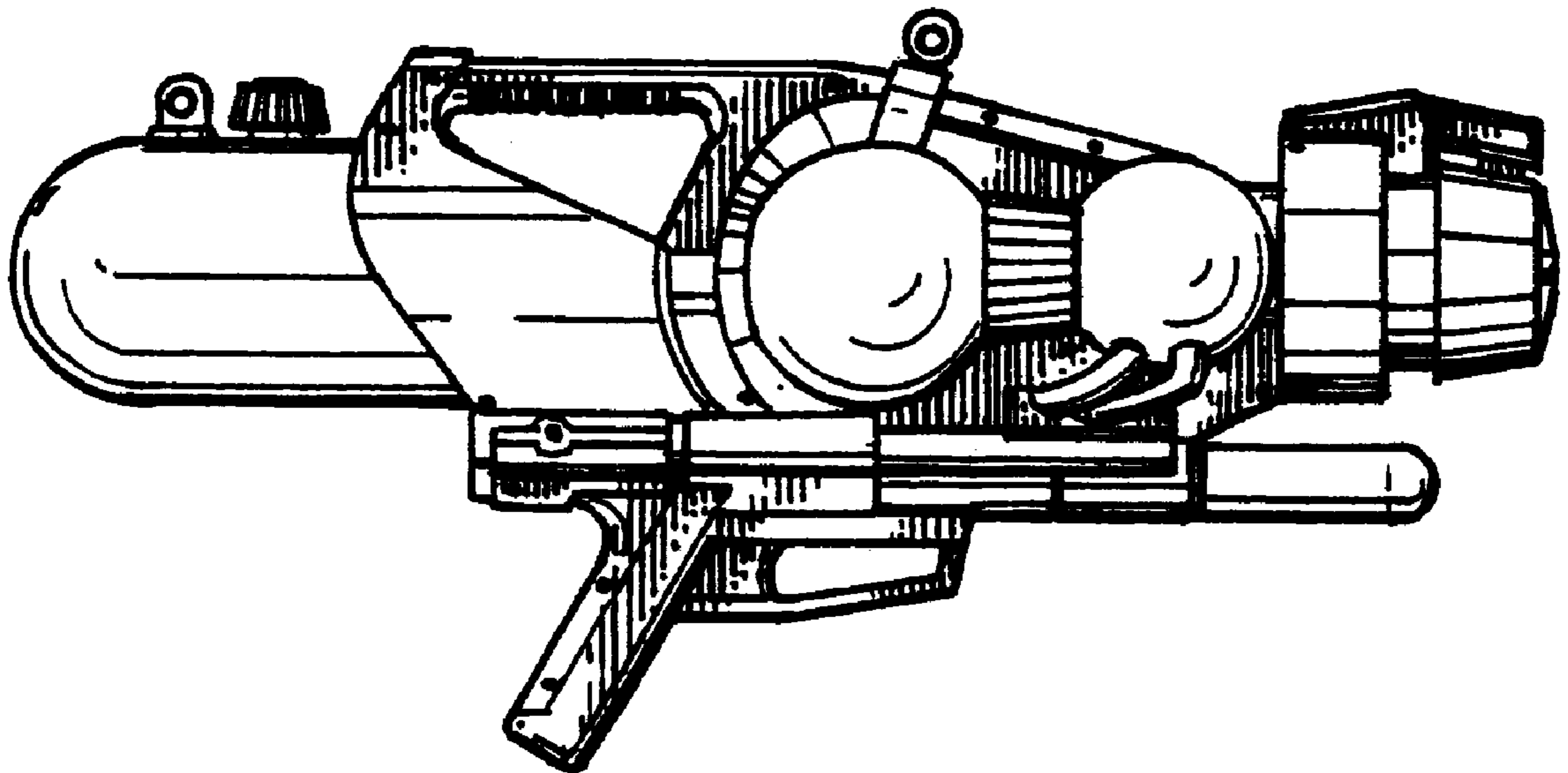
[57] **CLAIM**

The ornamental design for the water gun, as shown and described.

DESCRIPTION

FIG. 1 is a left side elevational view of a water gun in accordance with our new design;
FIG. 2 is a right side elevational view thereof;
FIG. 3 is a front elevational view thereof;
FIG. 4 is a rear elevational view thereof;
FIG. 5 is a top plan view thereof; and,
FIG. 6 is a bottom view thereof.

1 Claim, 2 Drawing Sheets



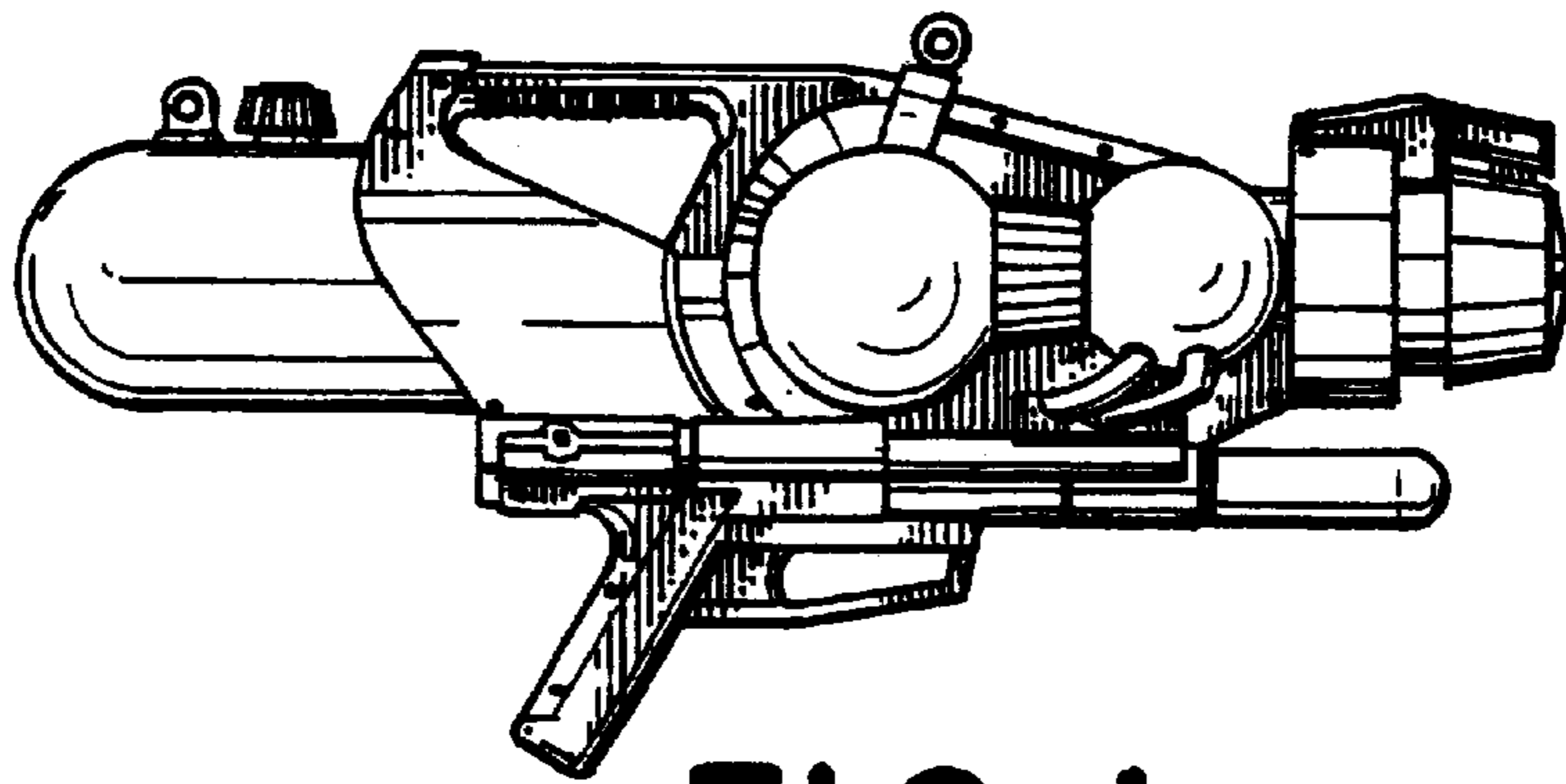


FIG. 1

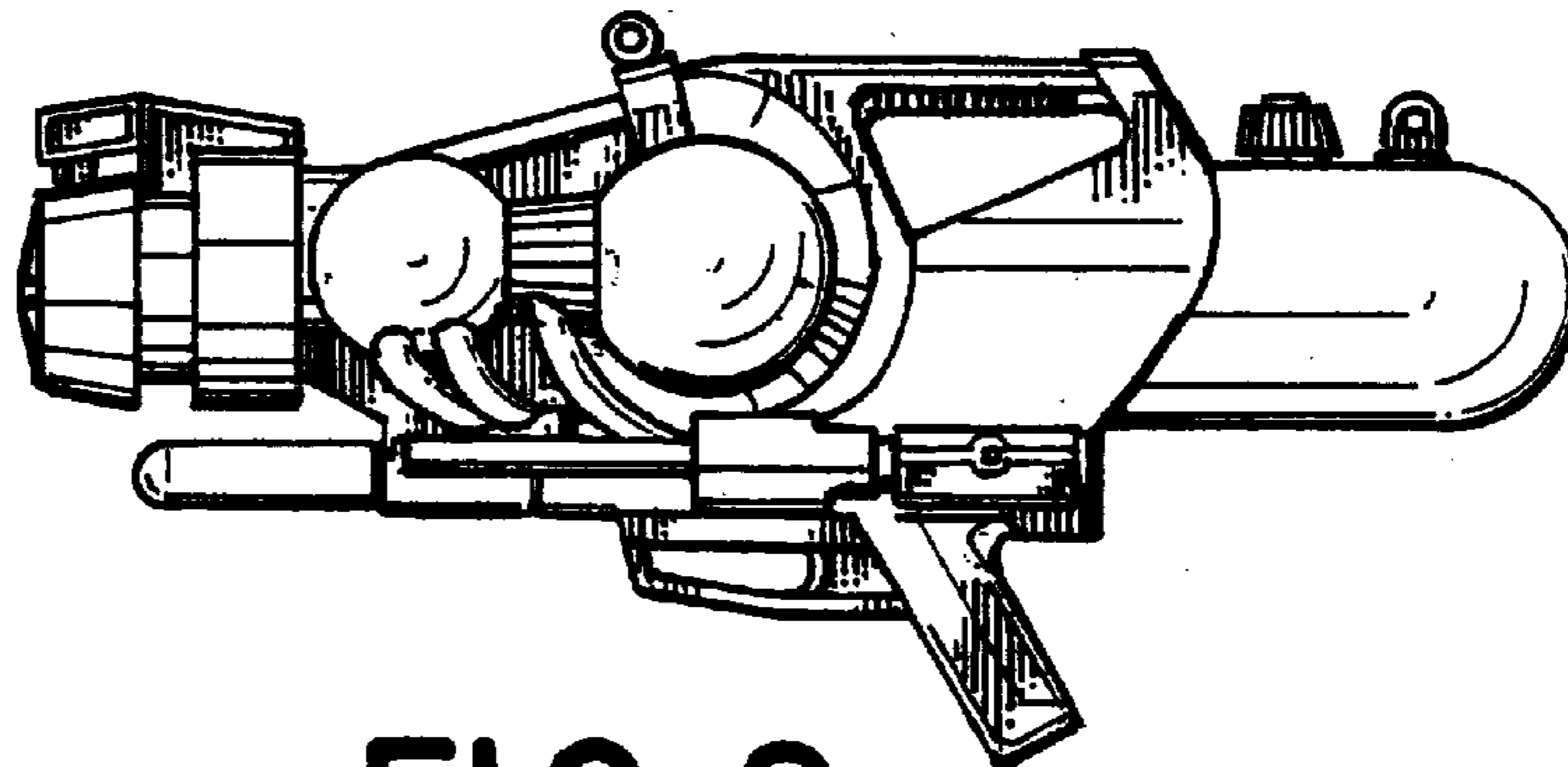


FIG. 2

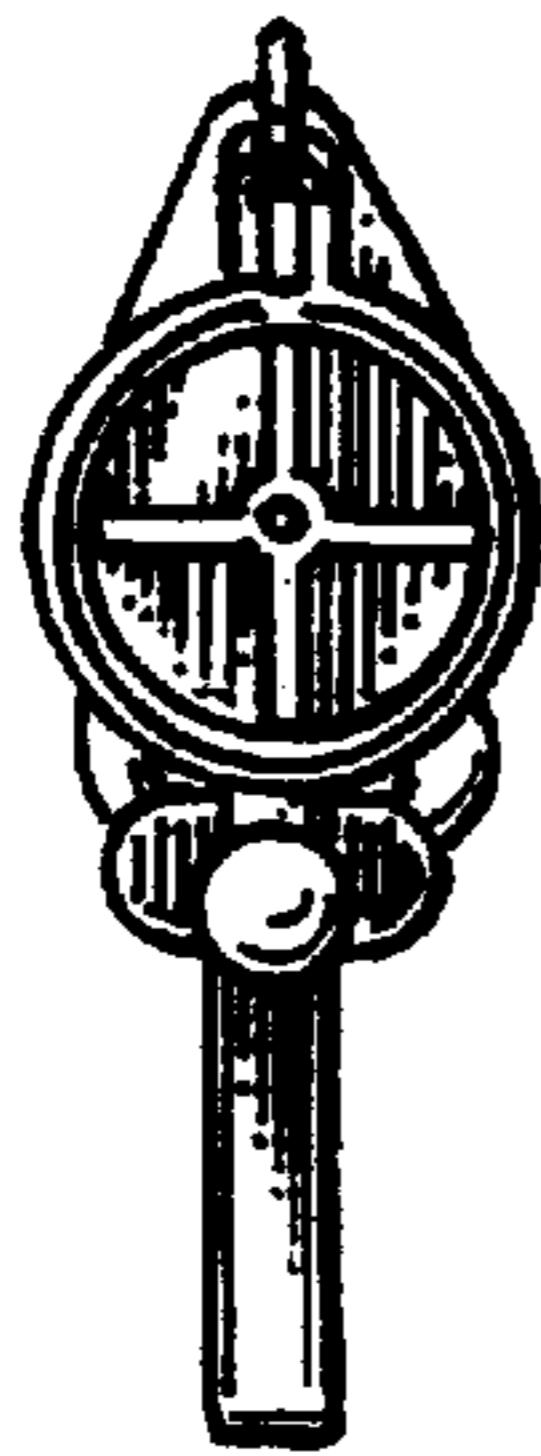


FIG. 3

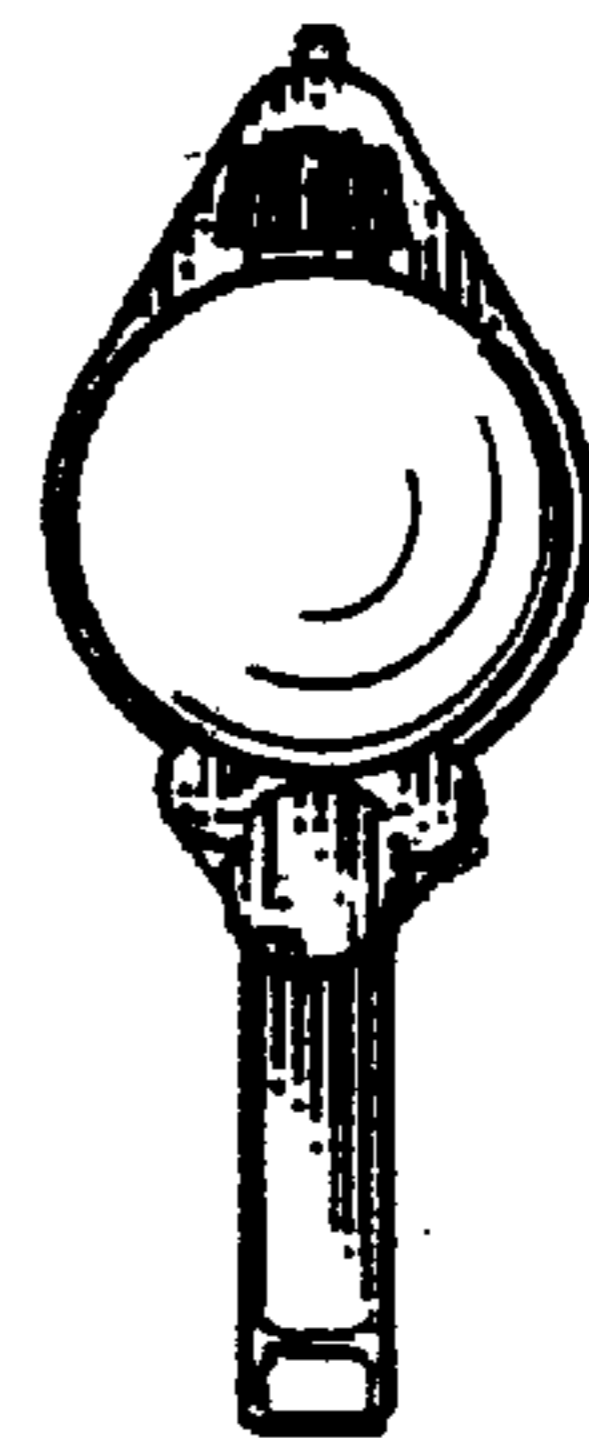


FIG. 4

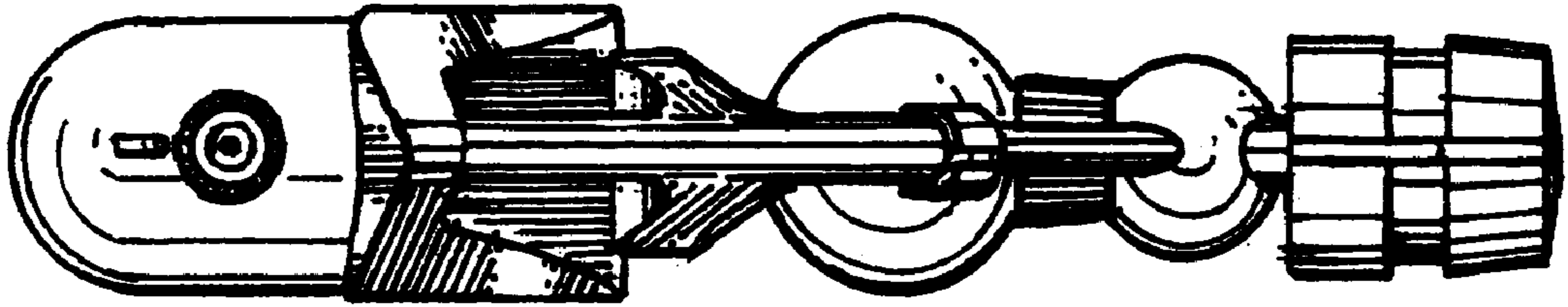


FIG. 5

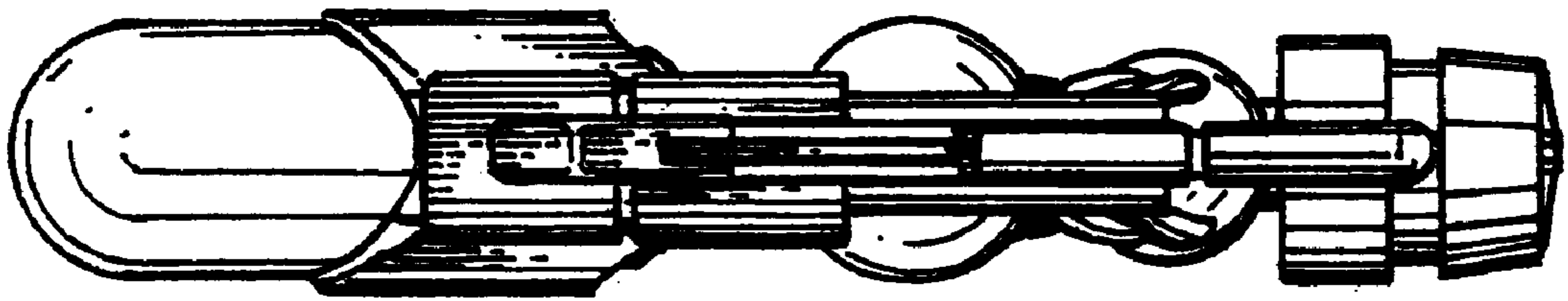


FIG. 6