



US00D429776S

United States Patent [19]
Gammack et al.

[11] **Patent Number: Des. 429,776**

[45] **Date of Patent: ** Aug. 22, 2000**

[54] **TOY VACUUM CLEANER**

[75] Inventors: **Peter David Gammack**, Bath; **James Dyson**, Little Somerford; **Andrew Walter McRae Thomson**, Gloucestershire, all of United Kingdom

[73] Assignee: **Notetry Limited**, Little Somerford, United Kingdom

[**] Term: **14 Years**

[21] Appl. No.: **29/100,744**

[22] Filed: **Feb. 17, 1999**

[30] **Foreign Application Priority Data**

Aug. 18, 1998 [GB] United Kingdom 2076927

[51] **LOC (7) Cl.** **21-01**

[52] **U.S. Cl.** **D21/526**

[58] **Field of Search** D21/483, 523, D21/526; D32/21, 22; 446/450, 479, 474, 411, 483

[56] **References Cited**

U.S. PATENT DOCUMENTS

D. 295,770 5/1988 Hilton D21/526

D. 313,681 1/1991 McKnight D32/22
D. 316,167 4/1991 Petralia D32/22
D. 408,600 4/1999 Thur et al. D32/22
5,919,078 7/1999 Cassidy 446/479

Primary Examiner—Raphael Barkai
Attorney, Agent, or Firm—Ian C. McLeod

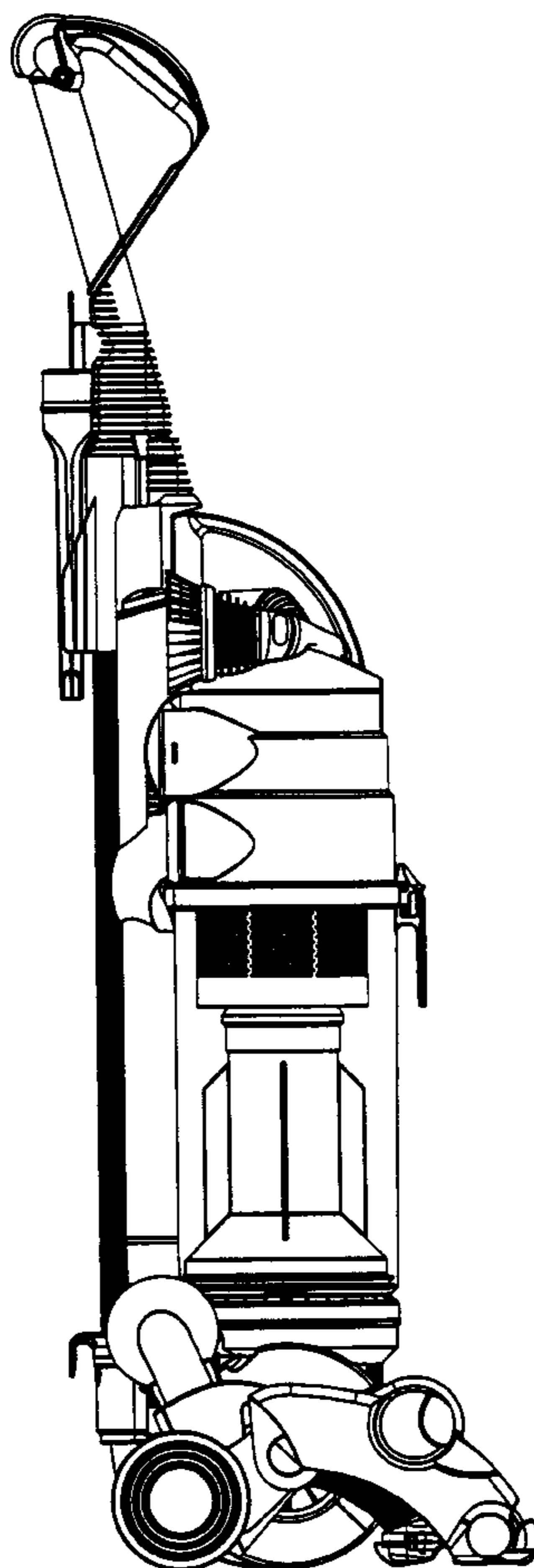
[57] **CLAIM**

The ornamental design for a toy vacuum cleaner, as shown and described.

DESCRIPTION

FIG. 1 is a front elevational view of a toy vacuum cleaner showing our new design;
FIG. 2 is a rear elevational view thereof;
FIG. 3 is a left side elevational view thereof;
FIG. 4 is a right side elevational view thereof;
FIG. 5 is a top plan view thereof; and,
FIG. 6 is a bottom plan view thereof.

1 Claim, 4 Drawing Sheets



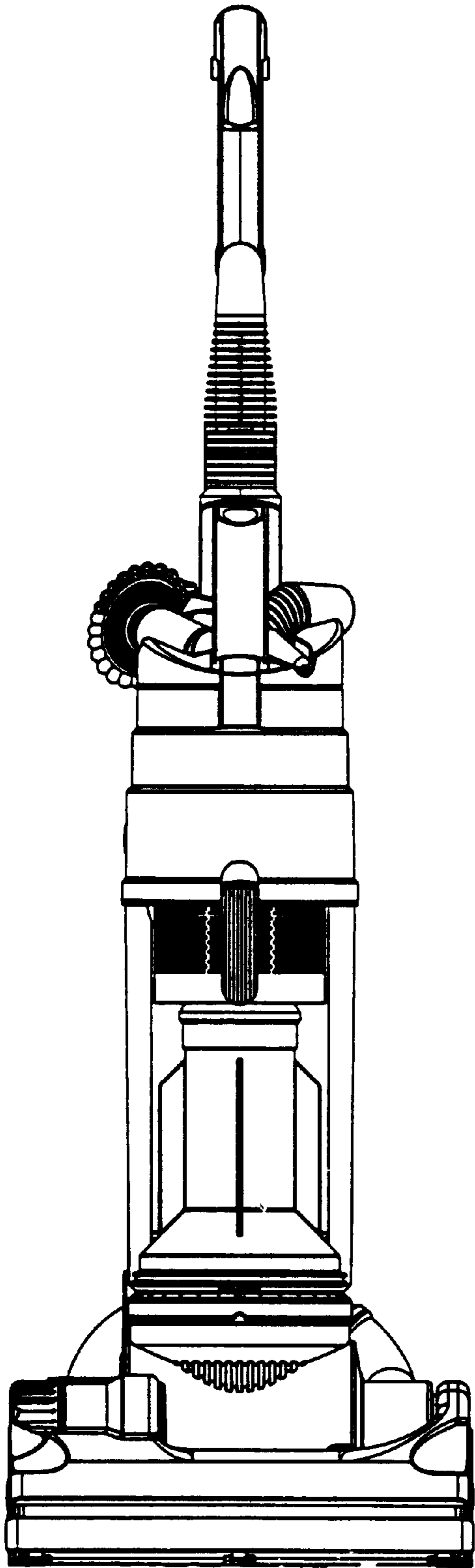


Fig. 1

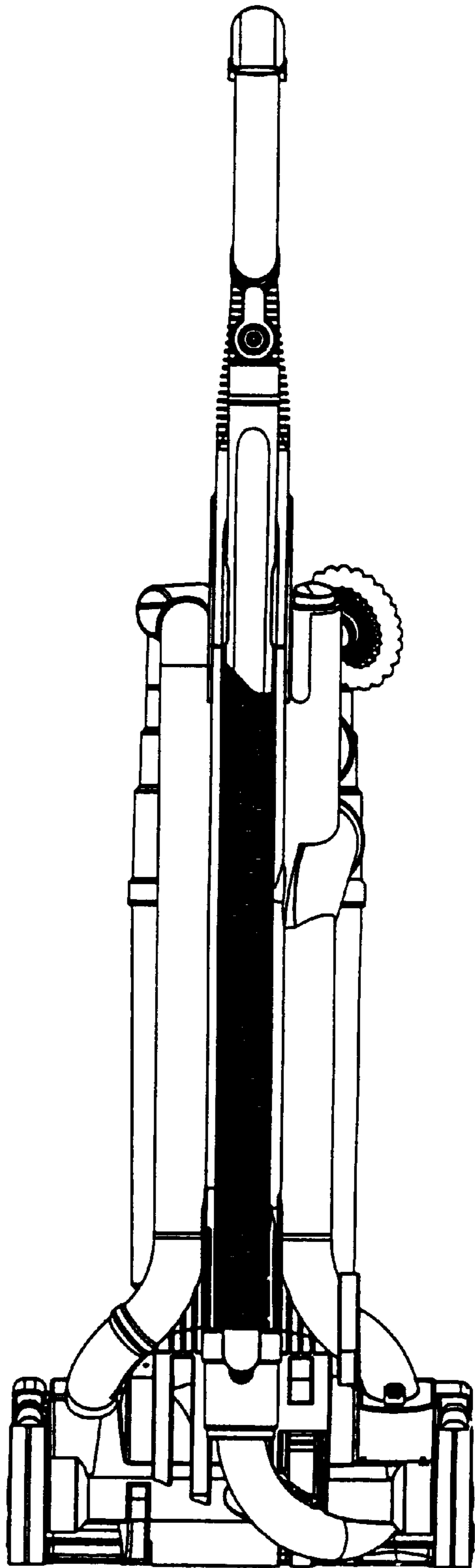


Fig. 2

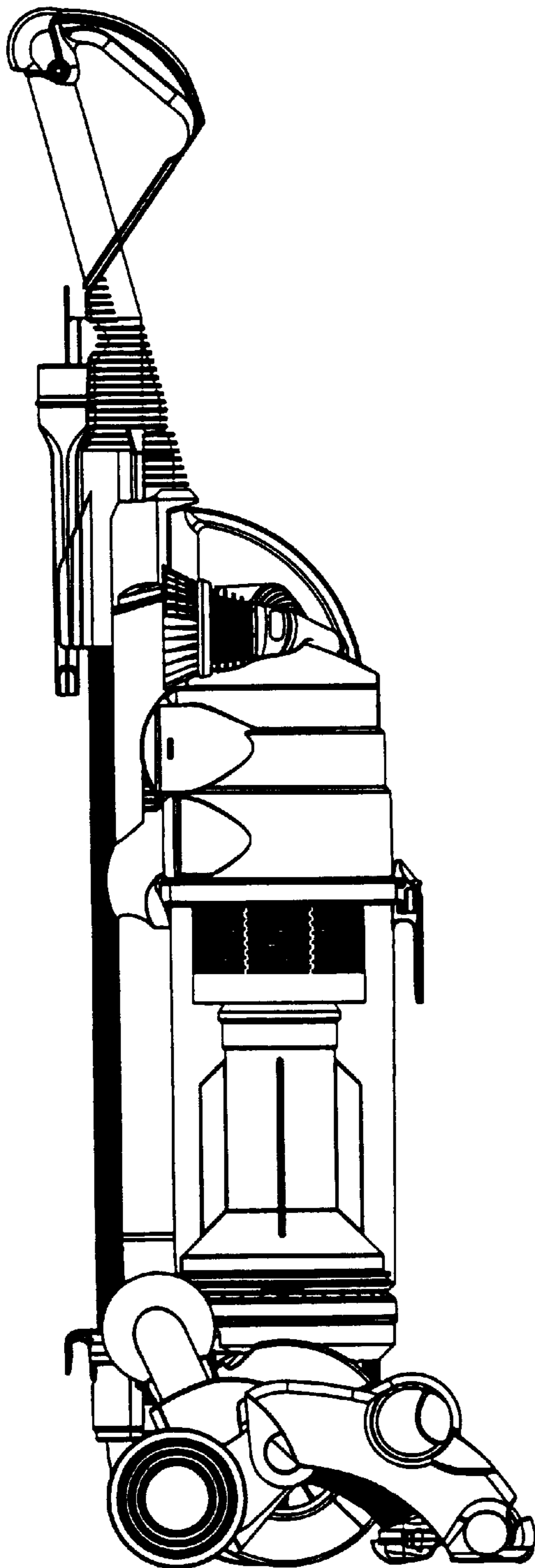


Fig. 3

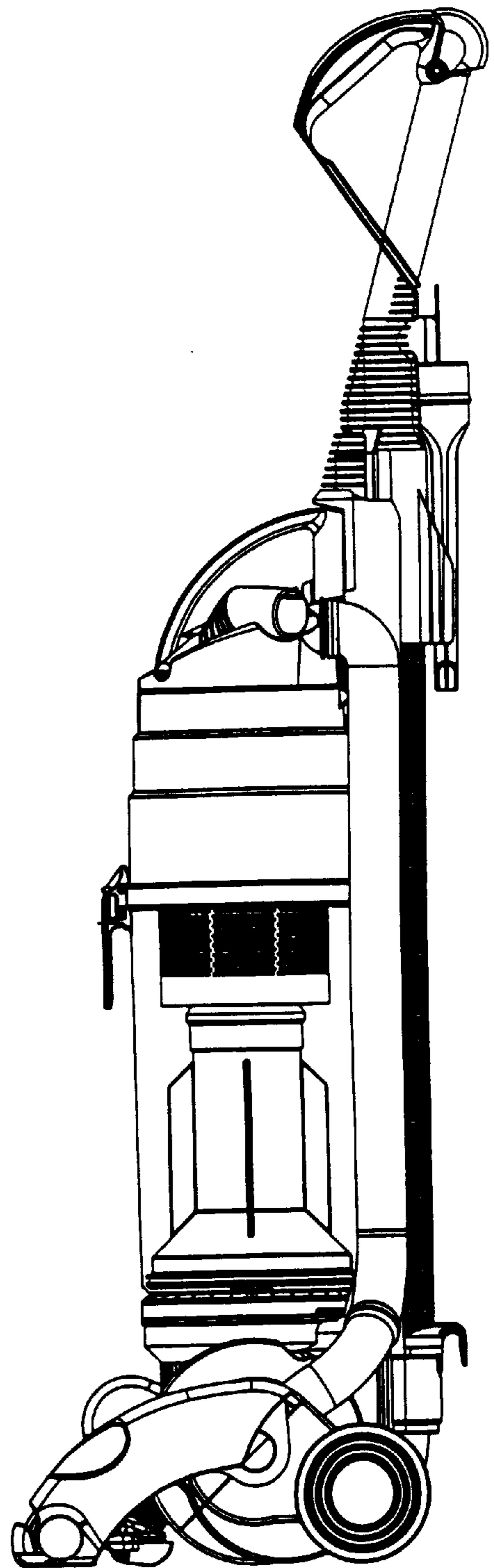


Fig. 4

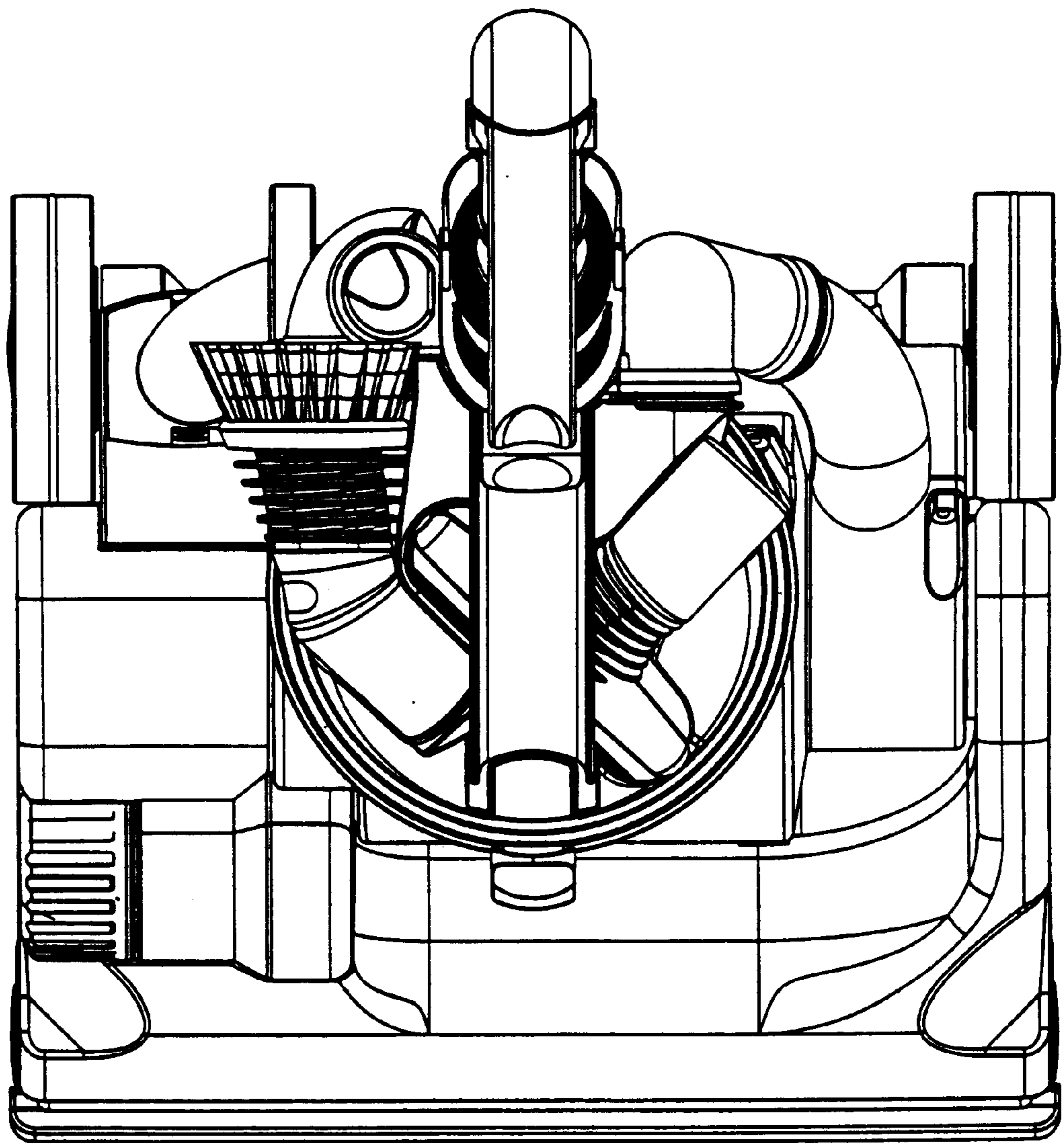


Fig. 5

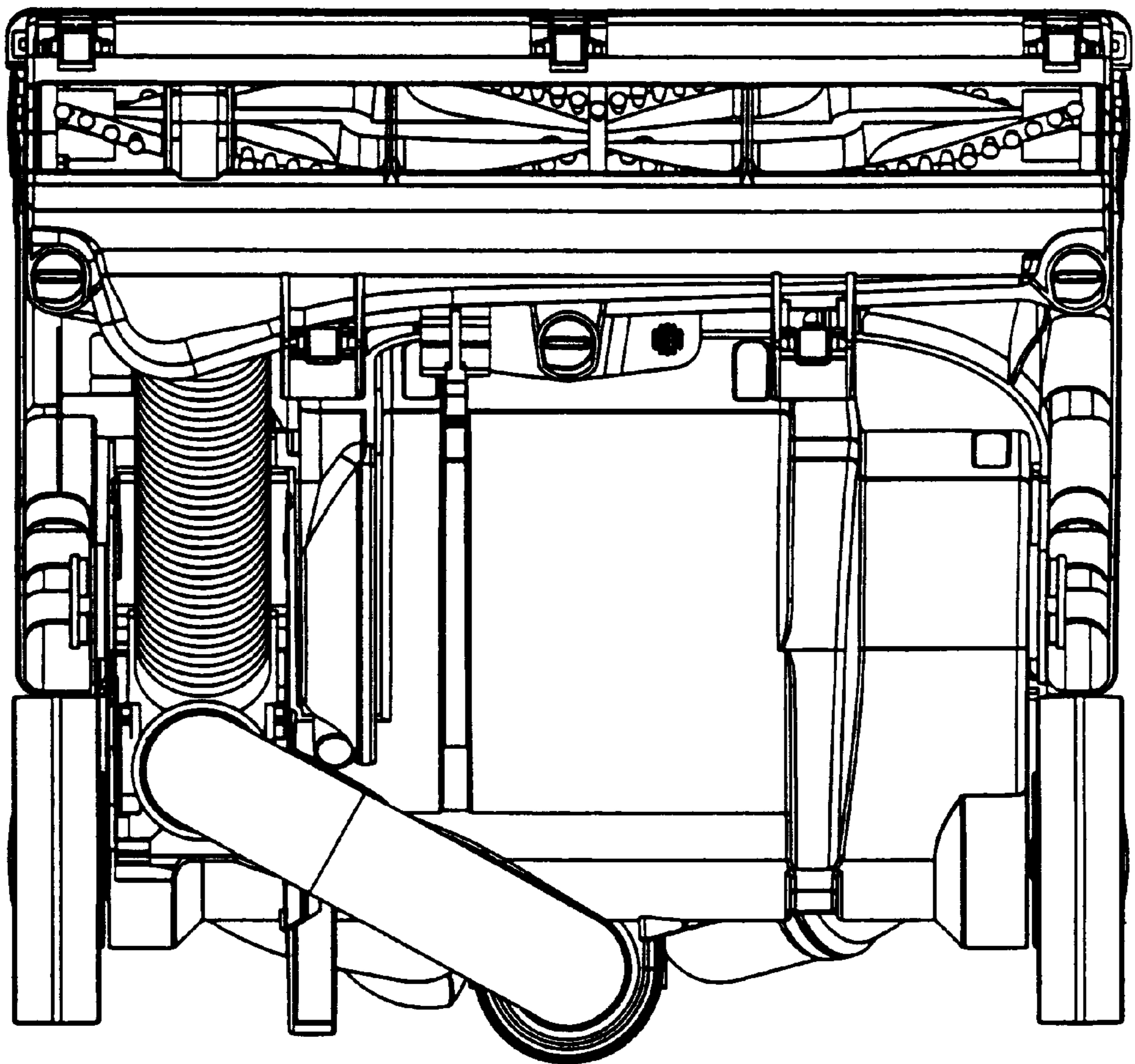


Fig. 6