



US00D429774S

United States Patent [19]
Lerch

[11] **Patent Number: Des. 429,774**

[45] **Date of Patent: ** Aug. 22, 2000**

[54] **CHILDREN'S RIDE-ON VEHICLE**

[75] Inventor: **Karl D. Lerch**, East Aurora, N.Y.

[73] Assignee: **Mattel, Inc.**, El Segundo, Calif.

[**] Term: **14 Years**

[21] Appl. No.: **29/100,142**

[22] Filed: **Feb. 5, 1999**

[51] **LOC (7) Cl.** **21-01**

[52] **U.S. Cl.** **D21/432**

[58] **Field of Search** D21/419-435,
D21/533, 538, 549, 550, 551; D12/87-88,
107, 110, 112; 446/440, 454, 456, 465,
470; 280/87.01, 87.021, 282; 180/233,
311, 315, 225, 229

[56] **References Cited**

U.S. PATENT DOCUMENTS

D. 292,009	9/1987	Harrod .	
D. 295,153	4/1988	Ryuzoji et al.	D12/107
D. 298,745	11/1988	Takagaki	D12/107
D. 299,663	1/1989	Harrod .	
D. 327,512	6/1992	Harrod	D21/432
D. 337,973	8/1993	Mariol	D12/112
D. 344,298	2/1994	Gault	D21/424
5,489,232	2/1996	Chang	446/440

OTHER PUBLICATIONS

Fisher-Price® Toyfair Catalog, cover and pp. 84-85, 1997.
Fisher-Price® Toyfair Catalog, cover and p. 88, 1997.
Fisher-Price® Toyfair Catalog, cover and p. 85, 1996.
Fisher-Price® Toyfair Catalog, cover and p. 89, 1996.
Hong Kong Toys, p. 293, Feb. 1997.
Tomy Toy Catalog, p. 33, 1987.

Primary Examiner—Raphael Barkai
Attorney, Agent, or Firm—Kolisch, Hartwell, Dickinson,
McCormack & Heuser

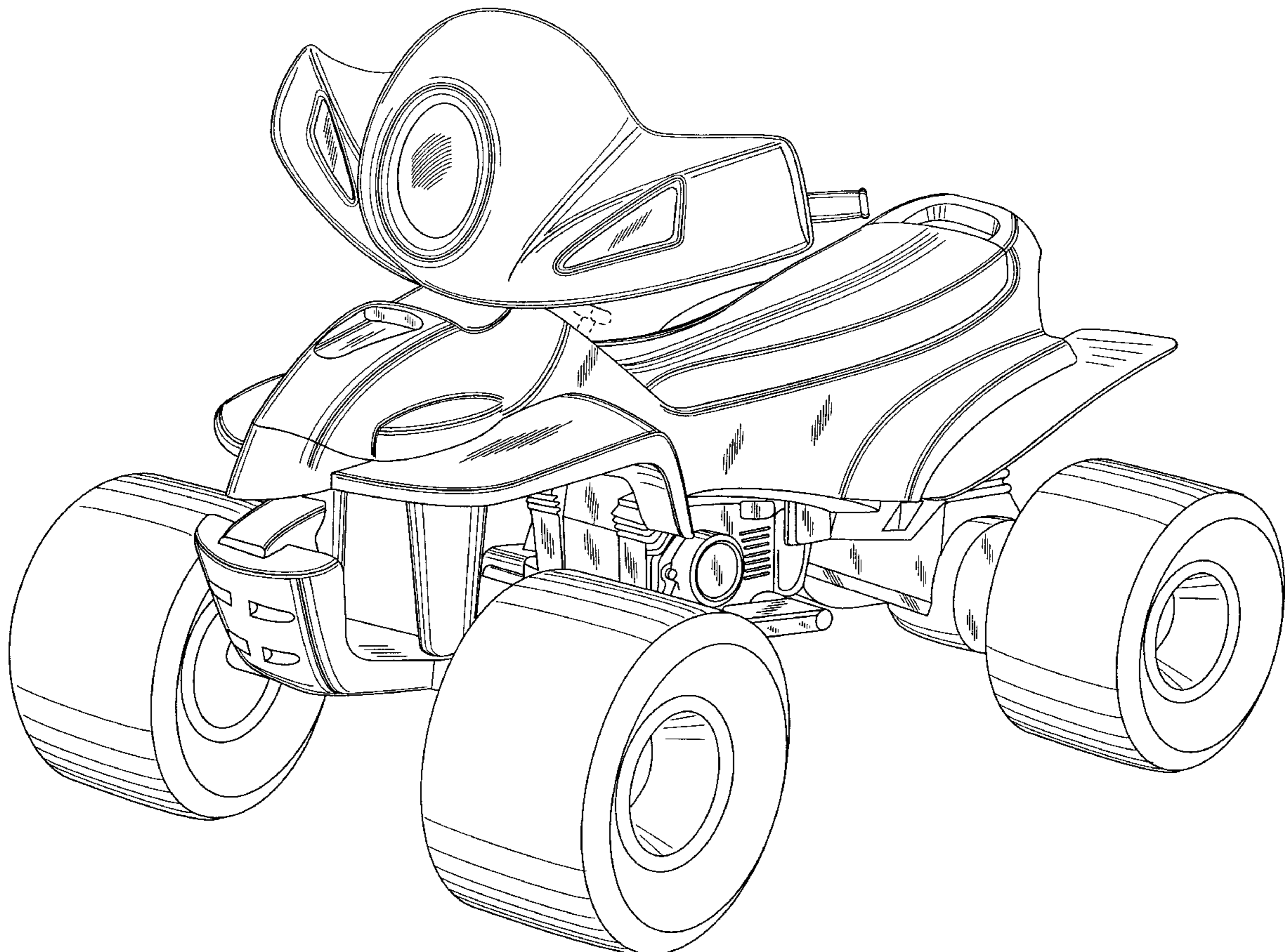
[57] **CLAIM**

The ornamental design for a children's ride-on vehicle, as shown and described.

DESCRIPTION

FIG. 1 is a front perspective view of a children's ride-on vehicle showing the claimed design;
FIG. 2 is a left side elevation view thereof, the right side being the mirror image of the left side;
FIG. 3 is a top plan view thereof;
FIG. 4 is front elevation view thereof; and,
FIG. 5 is a rear elevation view thereof.
The broken lines shown in FIGS. 1 and 2 are for illustrative purposes only and form no part of the claimed design.

1 Claim, 5 Drawing Sheets



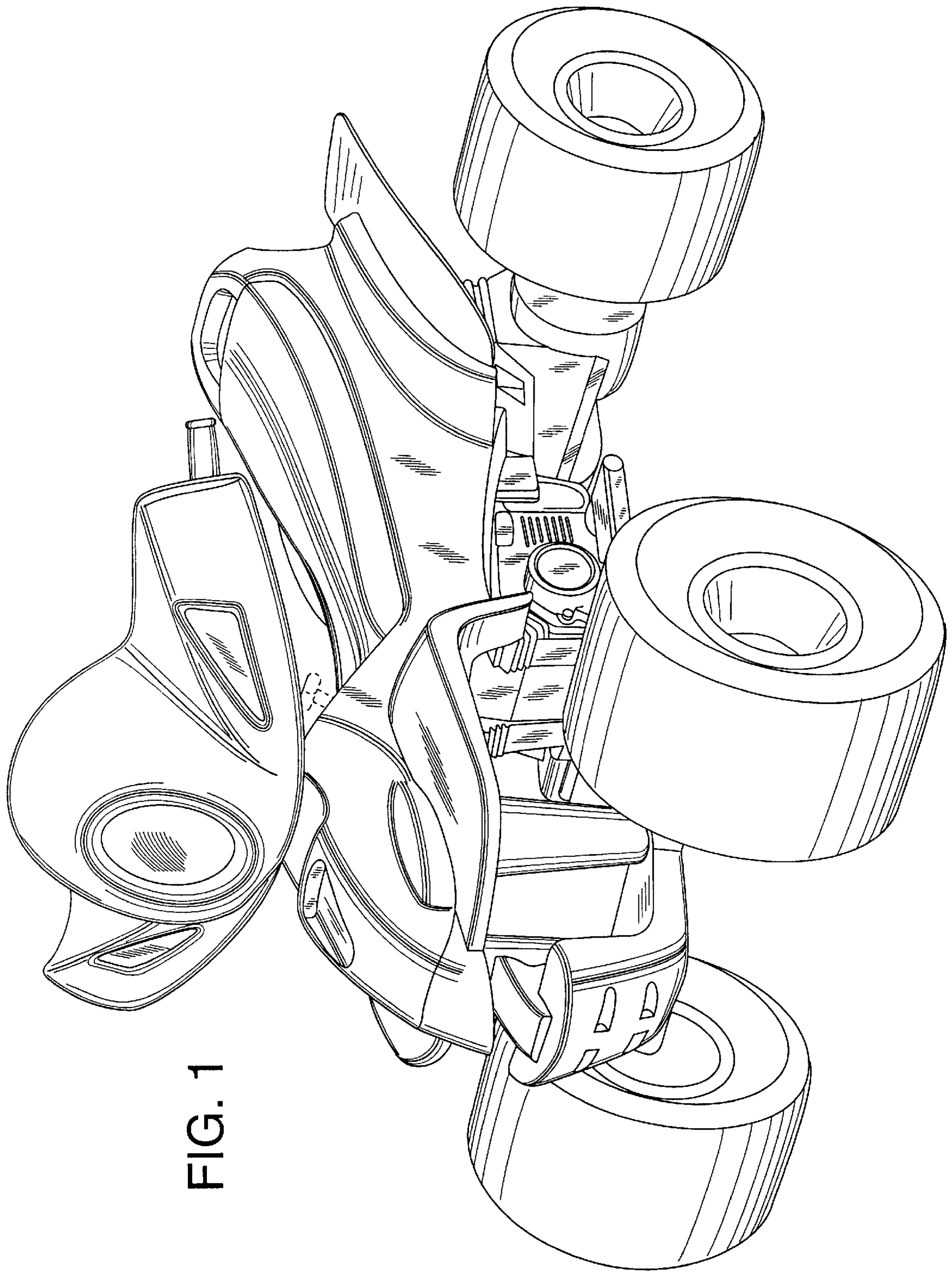


FIG. 1

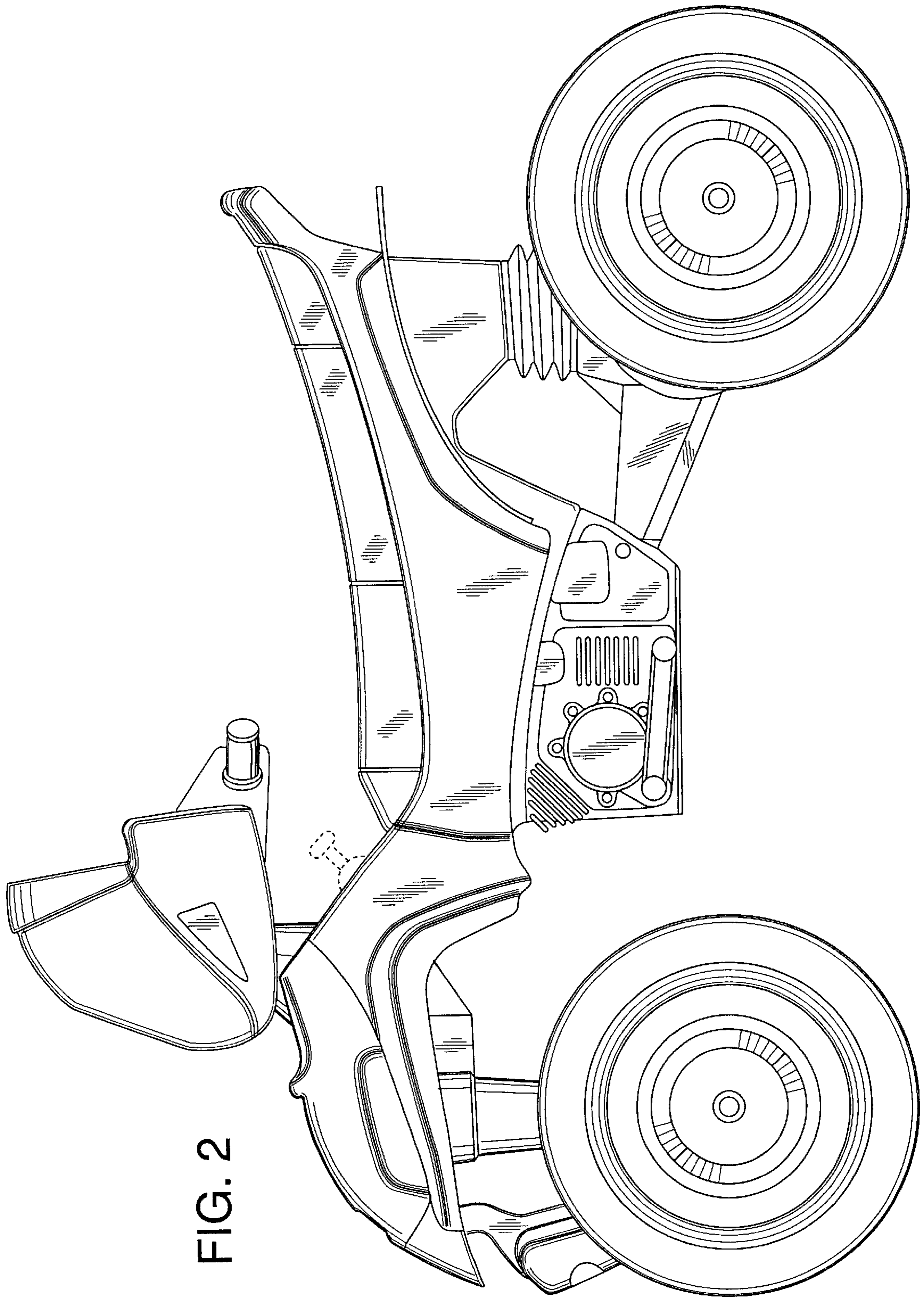


FIG. 2

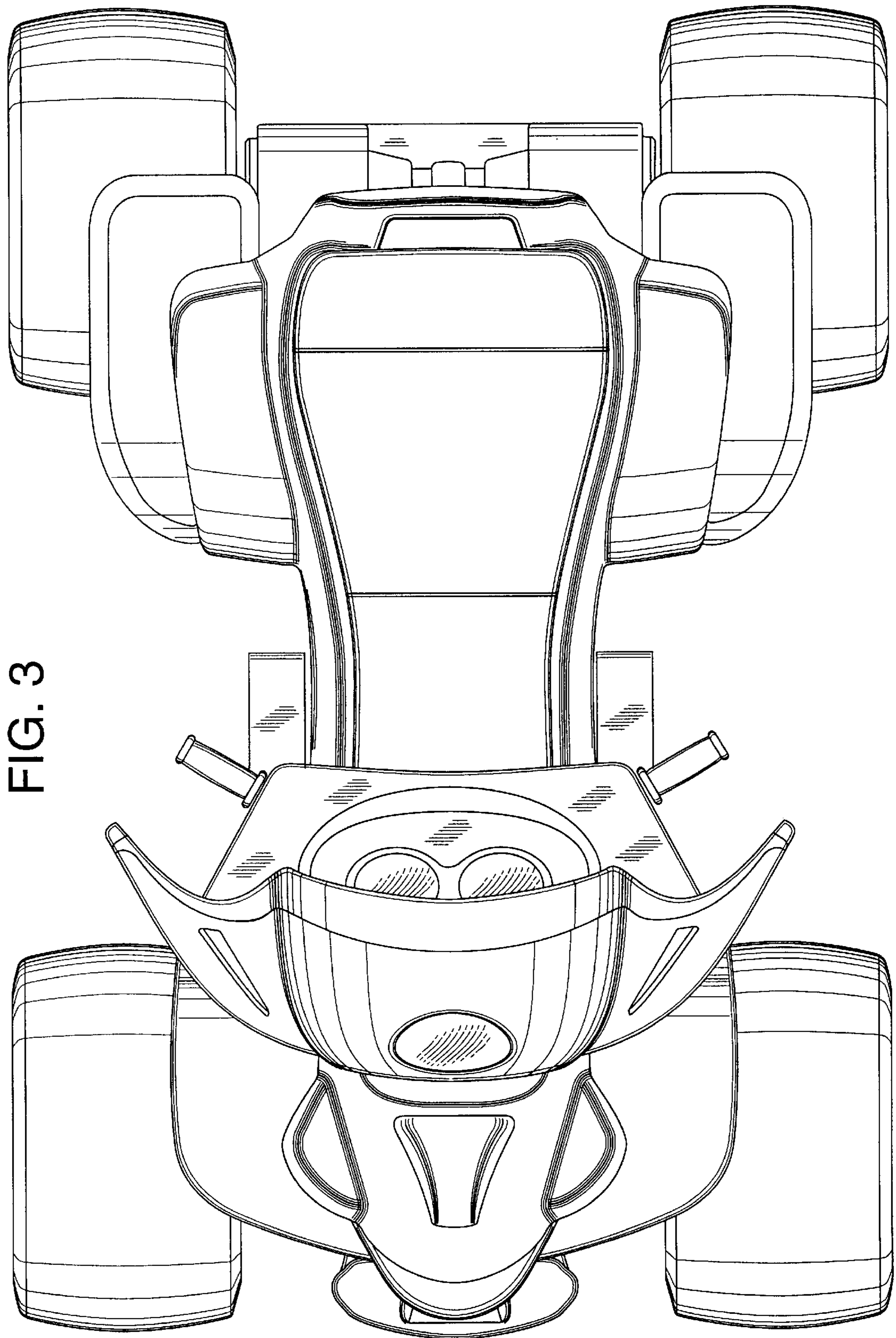


FIG. 3

FIG. 4

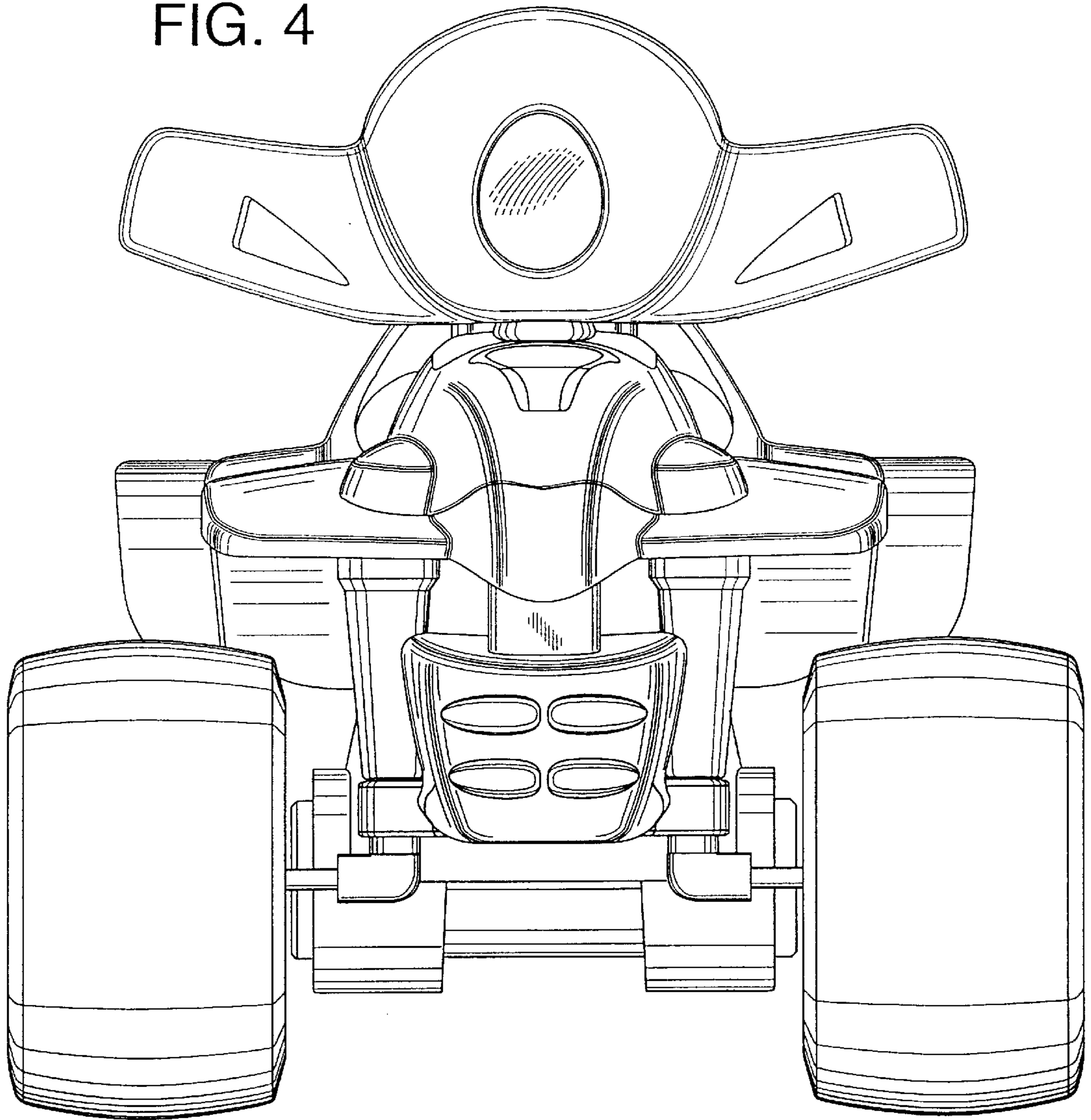


FIG. 5

