



US00D429772S

United States Patent [19] Hsia

[11] **Patent Number: Des. 429,772**

[45] **Date of Patent: ** Aug. 22, 2000**

[54] **ROCKING HORSE**

[76] Inventor: **Ben M. Hsia**, 19401 Business Center Dr., Northridge, Calif. 91324

[**] Term: **14 Years**

[21] Appl. No.: **29/107,775**

[22] Filed: **Jul. 13, 1999**

[51] **LOC (7) Cl. 21-01**

[52] **U.S. Cl. D21/414; D21/412**

[58] **Field of Search D21/412, 414; 472/95, 102, 185**

[56] **References Cited**

U.S. PATENT DOCUMENTS

D. 54,435	2/1920	Meerse et al.	D21/412
D. 180,620	7/1957	Salter, Jr. et al.	D21/412
D. 295,766	5/1988	Hahn	D21/412

Primary Examiner—Dominic Simone
Attorney, Agent, or Firm—Pitney, Hardin, Kipp & Szuch LLP

[57] **CLAIM**

The ornamental design for rocking horse, as shown and described.

DESCRIPTION

FIG. 1 is a perspective view of rocking horse showing my new design;

FIG. 2 is a front elevational view thereof;

FIG. 3 is a rear elevational view thereof;

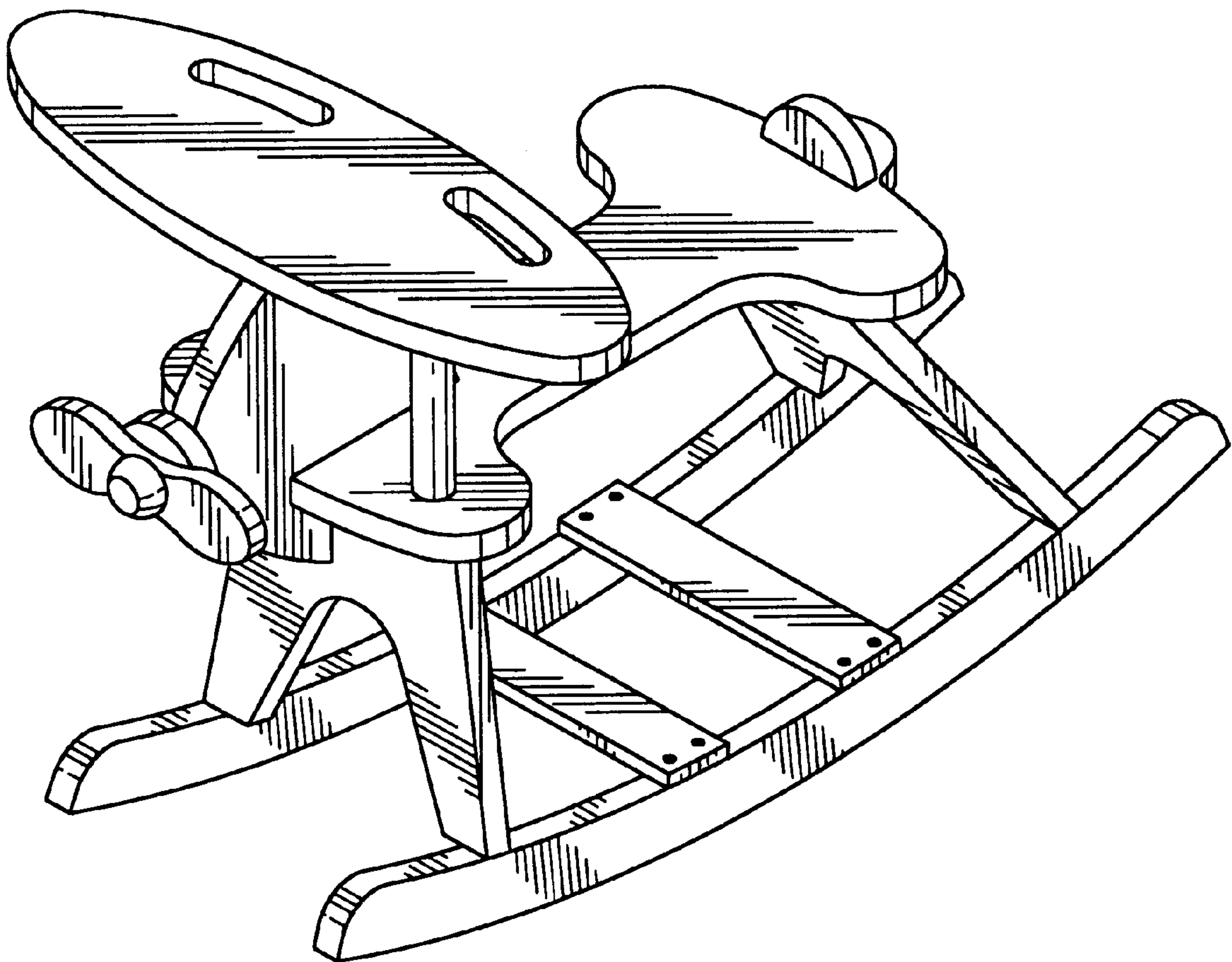
FIG. 4 is a left side elevational view thereof;

FIG. 5 is a right side elevational view thereof;

FIG. 6 is a top plan view thereof; and,

FIG. 7 is a bottom plan view thereof.

1 Claim, 7 Drawing Sheets



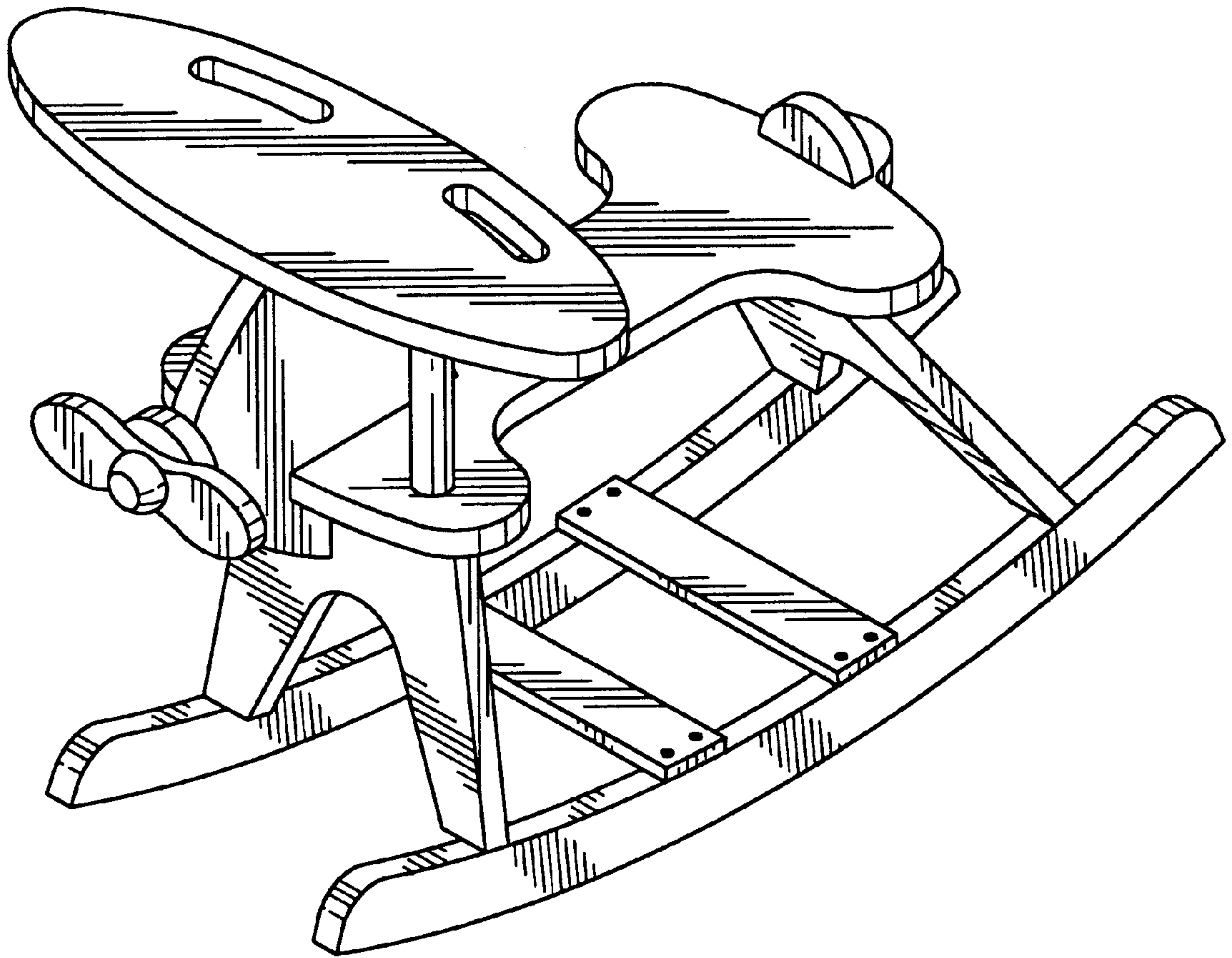


FIG. 1

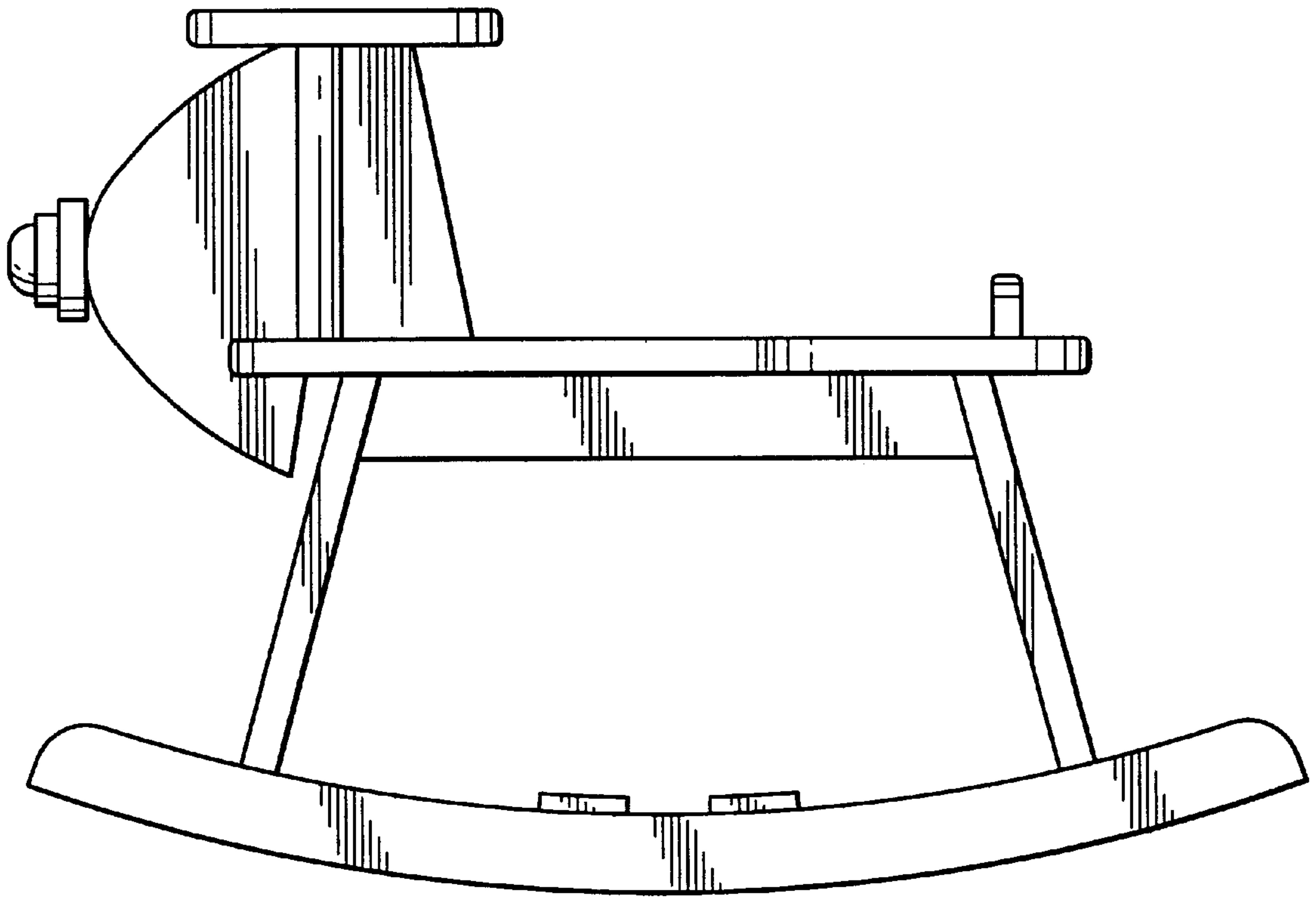


FIG. 2

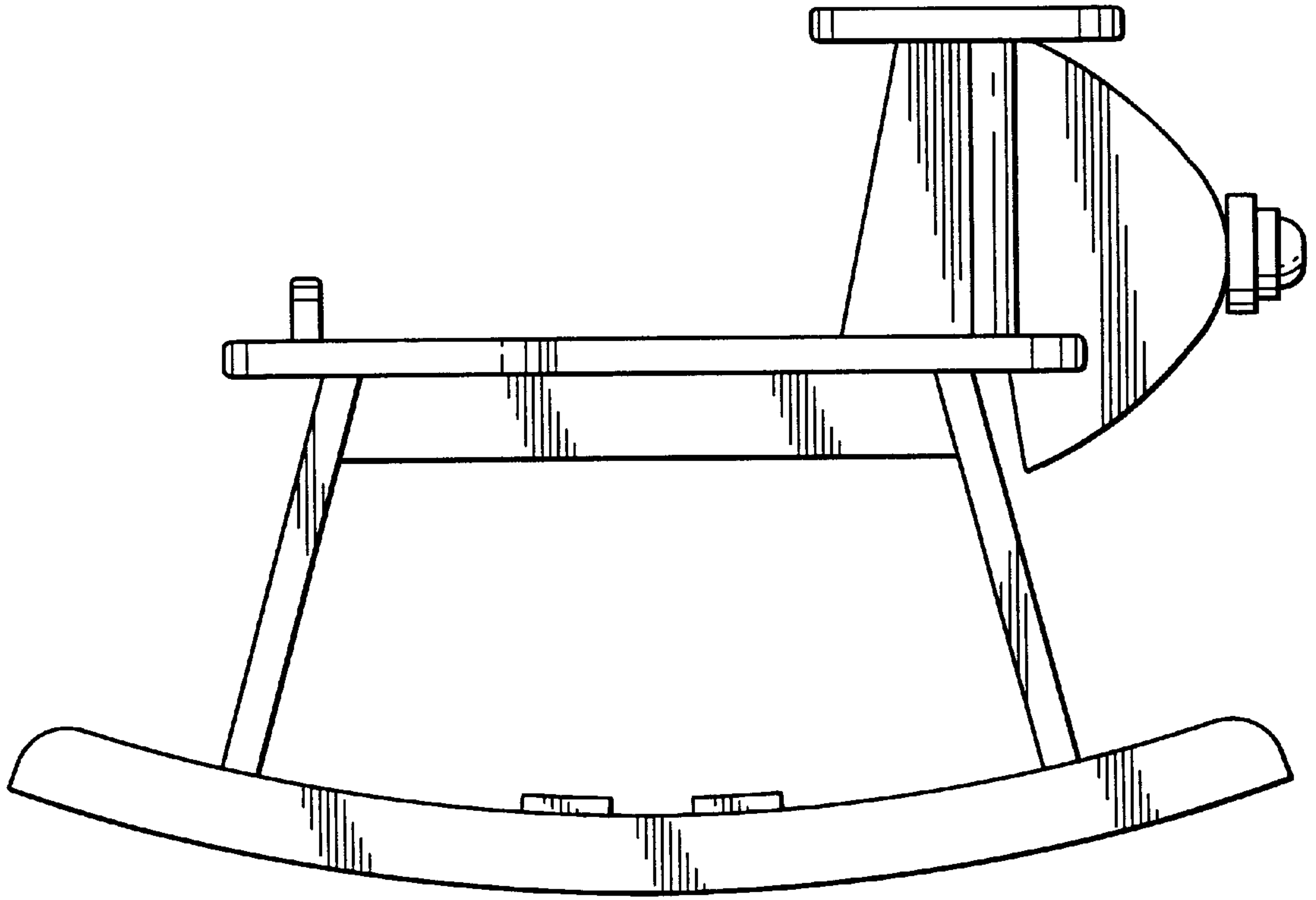


FIG. 3

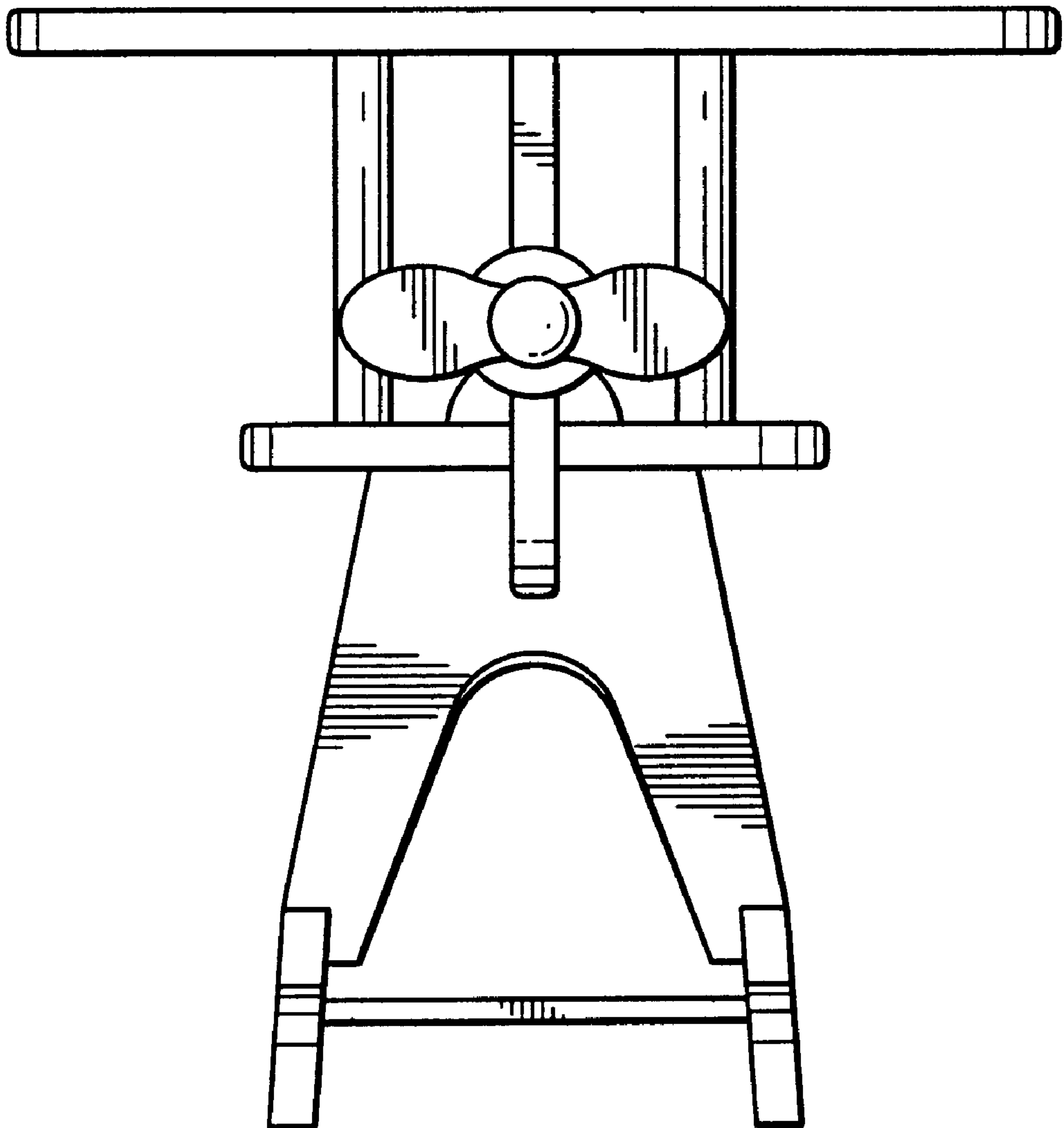


FIG. 4

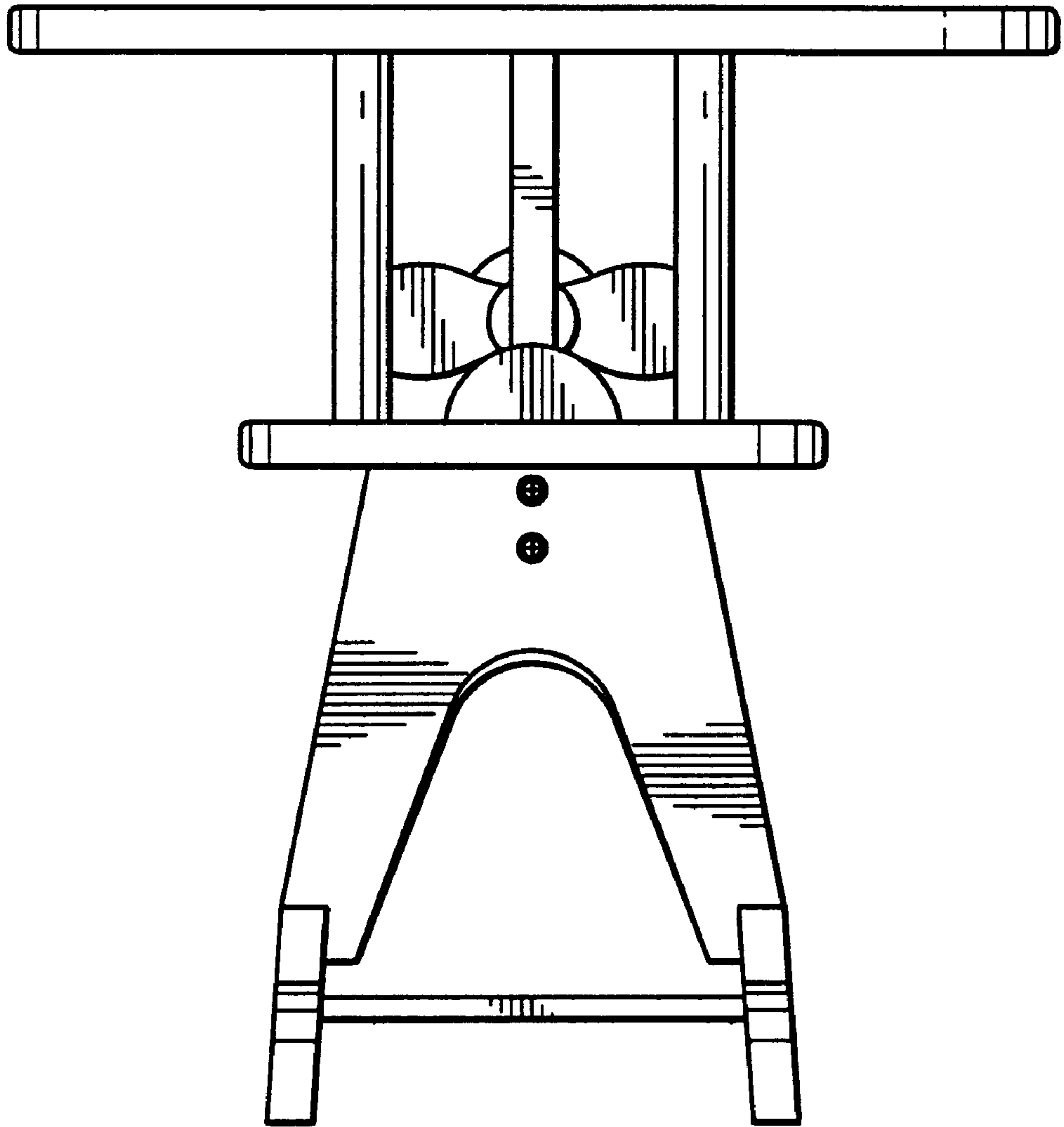


FIG. 5

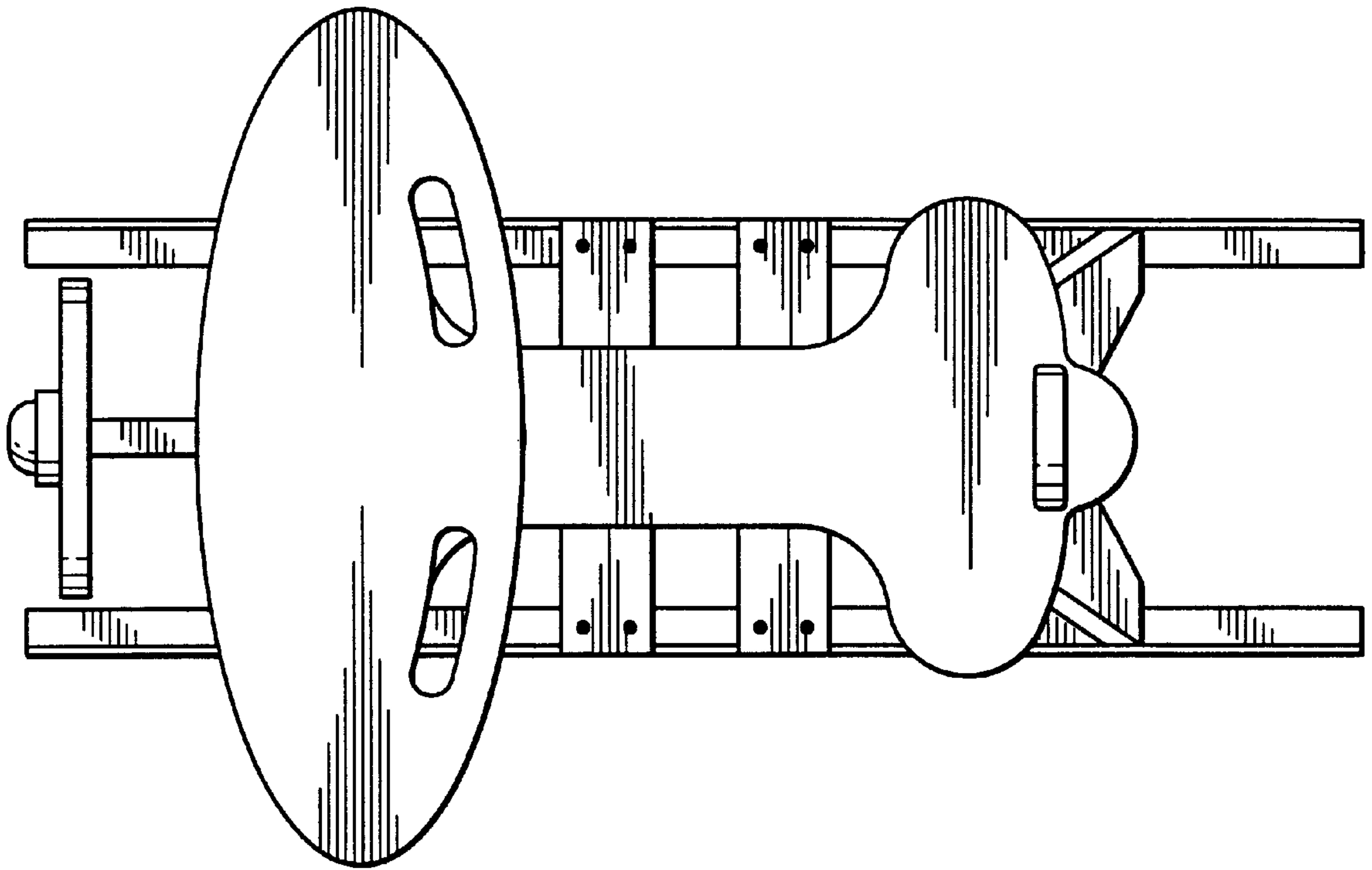


FIG. 6

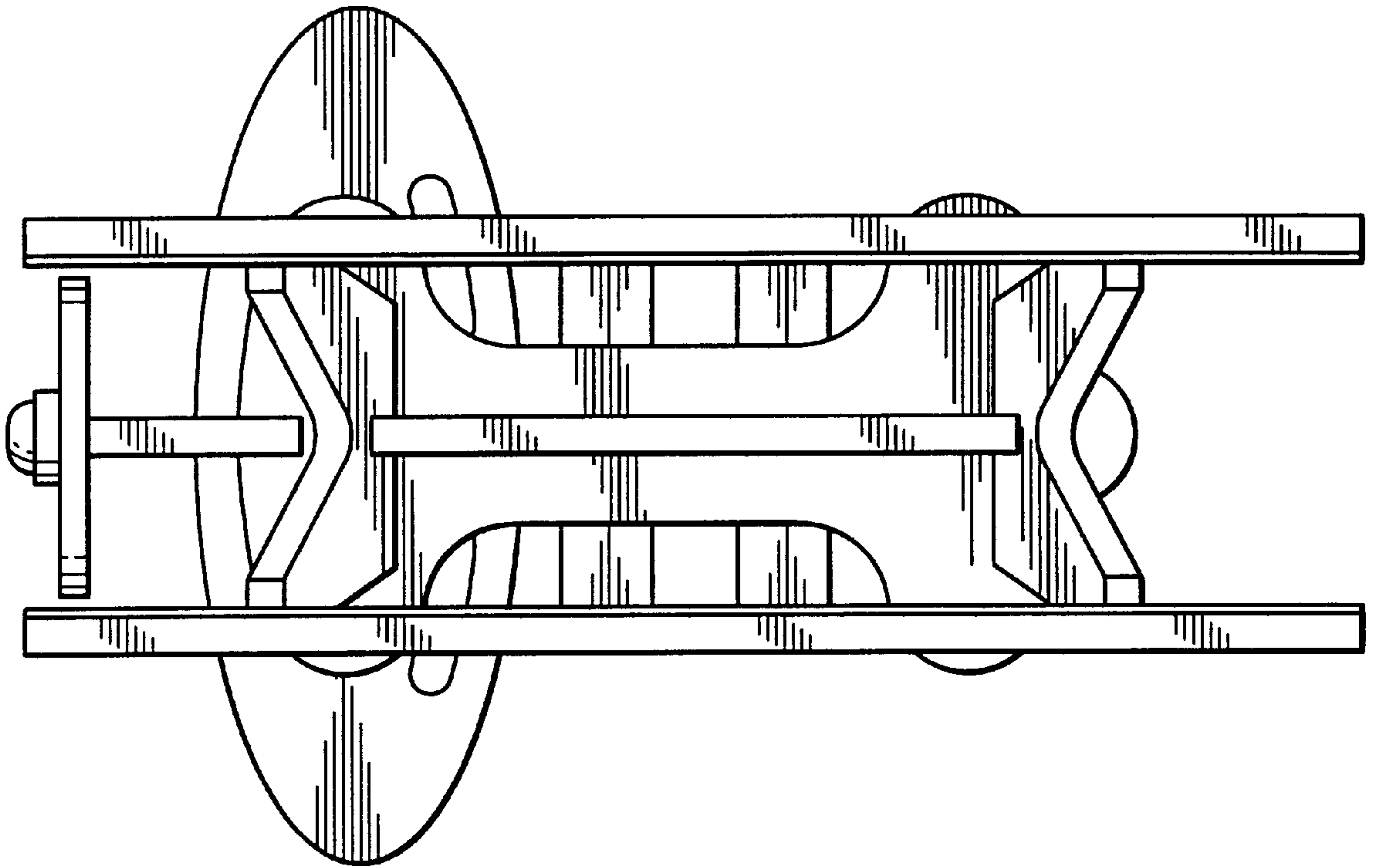


FIG. 7