



US00D429769S

United States Patent [19]

Luciano et al.

[11] Patent Number: **Des. 429,769**

[45] Date of Patent: **** Aug. 22, 2000**

[54] VIDEO DISPLAY GAME TABLE
[75] Inventors: **Robert A. Luciano; Kurt W. Spencer,**
both of Reno, Nev.

[73] Assignee: **Sierra Design Group,** Reno, Nev.

[**] Term: **14 Years**

[21] Appl. No.: **29/110,398**

[22] Filed: **Sep. 2, 1999**

[51] LOC (7) Cl. **21-01**

[52] U.S. Cl. **D21/333**

[58] Field of Search D21/324, 333,
D21/325, 326, 327; D14/496; 273/148 B;
463/1, 30-35, 46, 47, 49, 50, 51

[56] **References Cited**

U.S. PATENT DOCUMENTS

- D. 280,835 10/1985 Berge et al. D21/325
- D. 327,508 6/1992 Miranda et al. D21/325

- D. 411,587 6/1999 Beyer D21/333
- 4,850,591 7/1989 Takezawa et al. 463/37
- 5,411,257 5/1995 Fulton 363/13
- 5,591,081 1/1997 Suzuki 463/17
- 5,820,460 10/1998 Fulton 463/13
- 5,851,147 12/1998 Stupak et al. 463/13

Primary Examiner—Prabhakar Deshmukh
Attorney, Agent, or Firm—Ian F. Burns

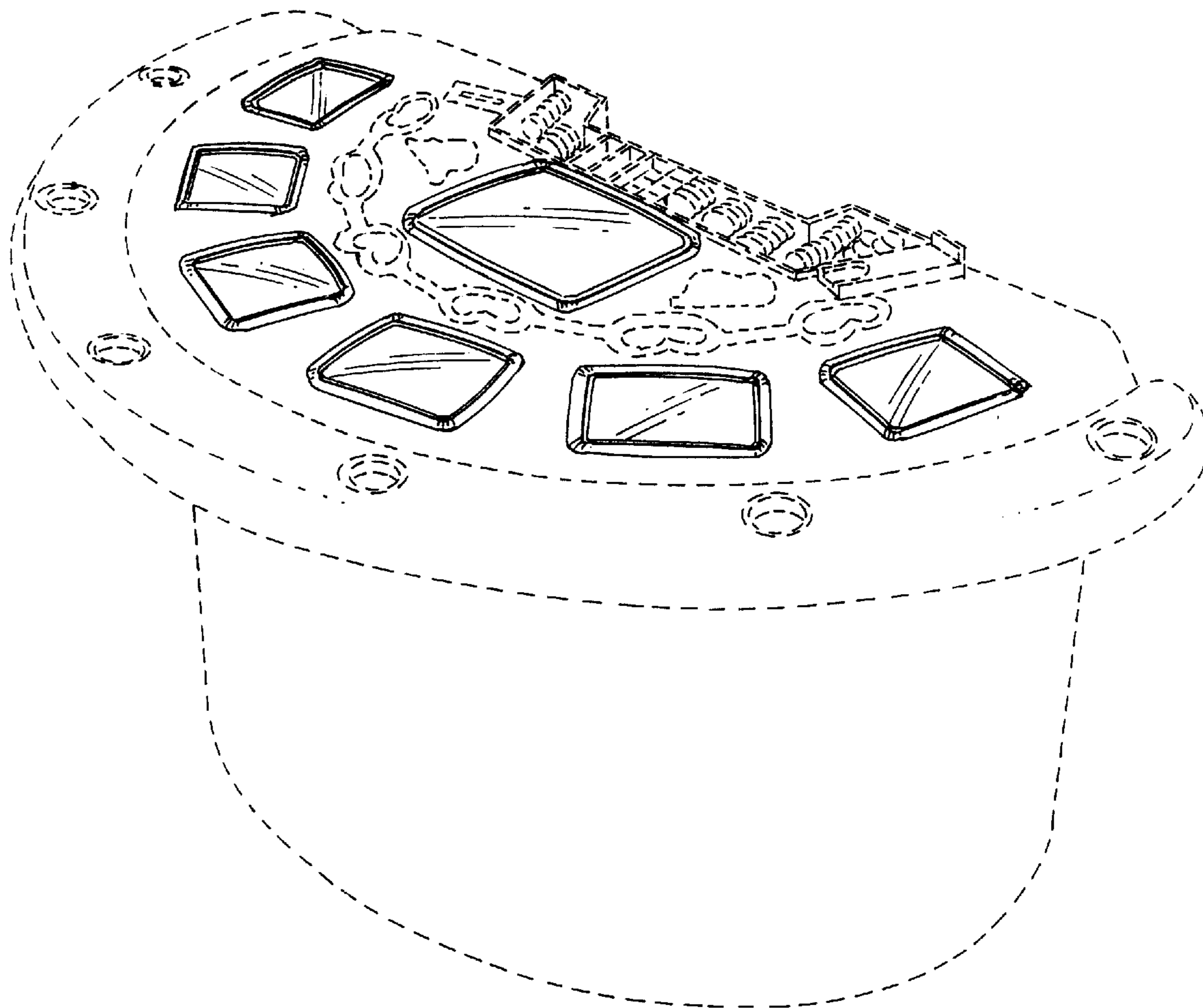
[57] **CLAIM**

We claim the ornamental design for a video display game table, as shown and described.

DESCRIPTION

FIG. 1 is a perspective view of the video display game table; and, FIG. 2 is a top plan view of the video display game table. Broken lines illustrate features or environmental components that are not part of the design sought to be patented. The portions of the design not shown are disclaimed.

1 Claim, 2 Drawing Sheets



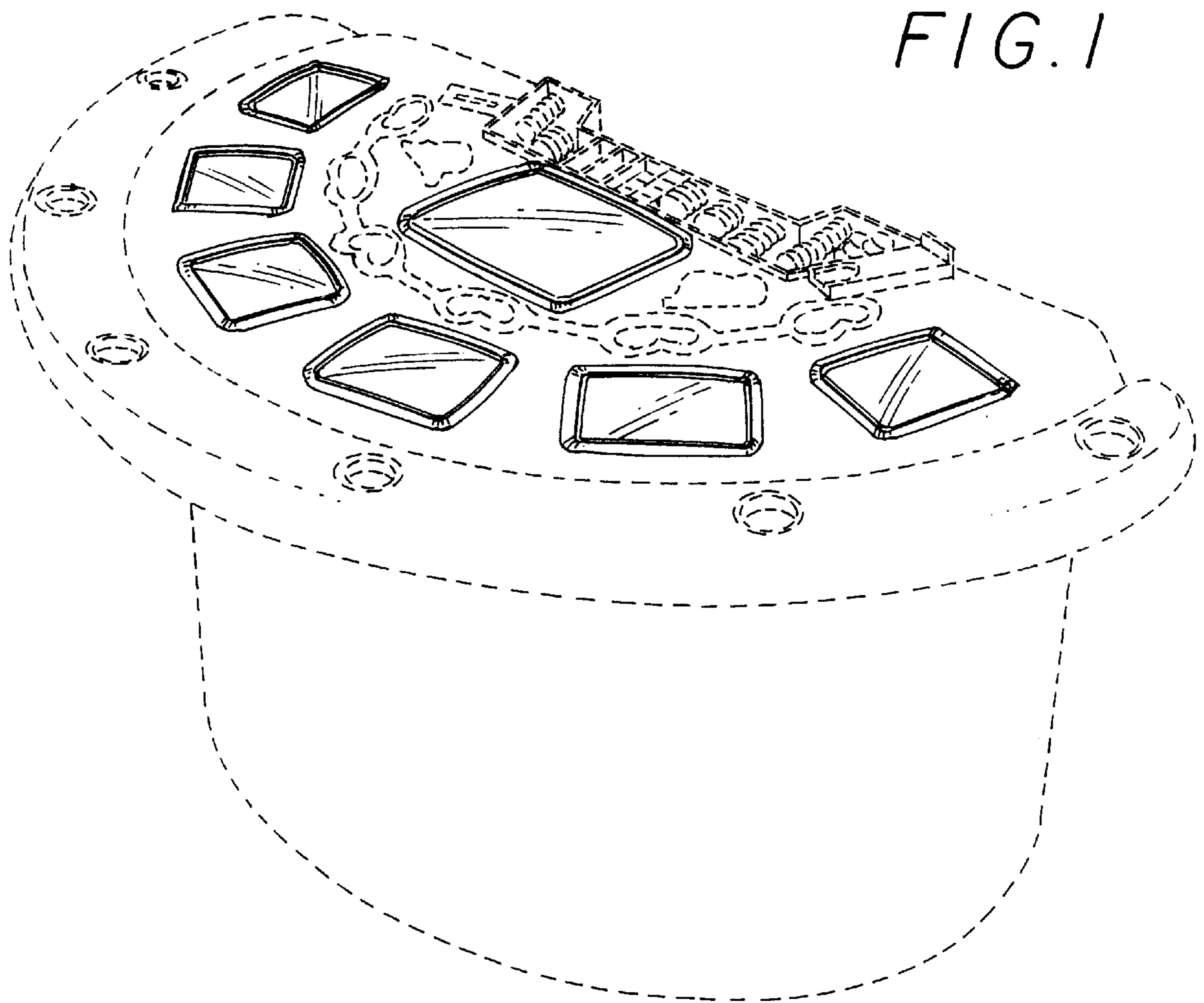


FIG. 1

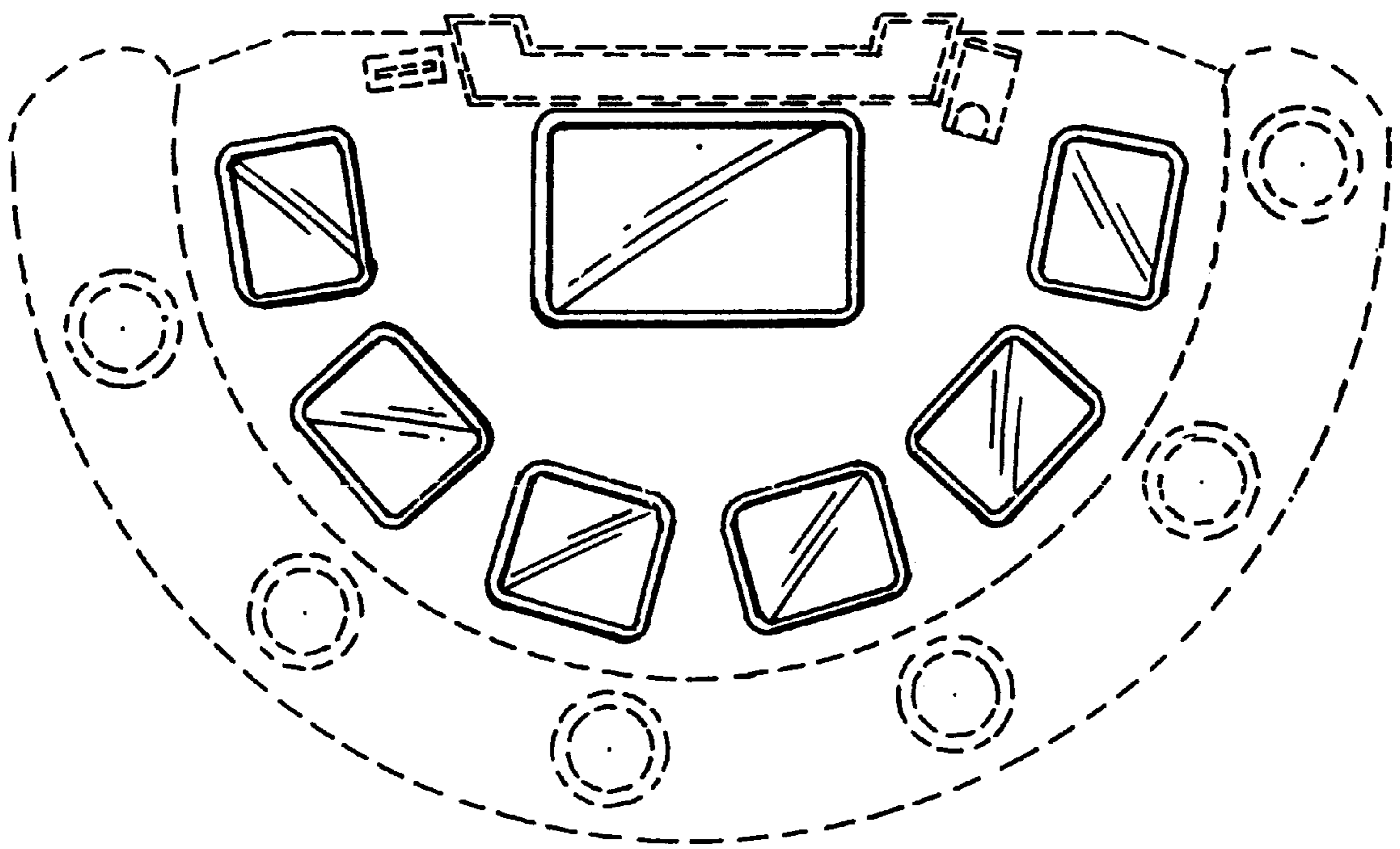


FIG. 2