



US00D429763S

# United States Patent [19] Fuller

[11] **Patent Number: Des. 429,763**

[45] **Date of Patent: \*\* Aug. 22, 2000**

[54] **WRITING INSTRUMENT**

[76] Inventor: **Vernon L. Fuller**, 143 Glencoe Ave.,  
Dayton, Ohio 45410

[\*\*] Term: **14 Years**

[21] Appl. No.: **29/102,949**

[22] Filed: **Apr. 5, 1999**

[51] **LOC (7) Cl.** ..... **19-06**

[52] **U.S. Cl.** ..... **D19/51; D19/56**

[58] **Field of Search** ..... D19/35, 36, 41-51,  
D19/53-55, 56-58, 81-85; 401/99, 100,  
103, 105, 110, 116, 209, 71, 51

[56] **References Cited**

**U.S. PATENT DOCUMENTS**

D. 187,445	3/1960	Marynissen	.....	D19/57
D. 242,449	11/1976	Jahraus	.....	D19/56
D. 286,649	11/1986	Hamel	.....	D19/48
D. 286,893	11/1986	Regnault	.....	D19/51
D. 329,459	9/1992	Sullivan	.....	D19/36
D. 330,725	11/1992	Samuel	.....	D19/50

2,108,441	2/1938	Maucher	.....	401/71
2,680,426	6/1954	Kohut	.....	401/51
3,326,189	6/1967	Baer	.....	401/105

*Primary Examiner*—Martie K. Holtje  
*Attorney, Agent, or Firm*—Ralph L. Marzocco

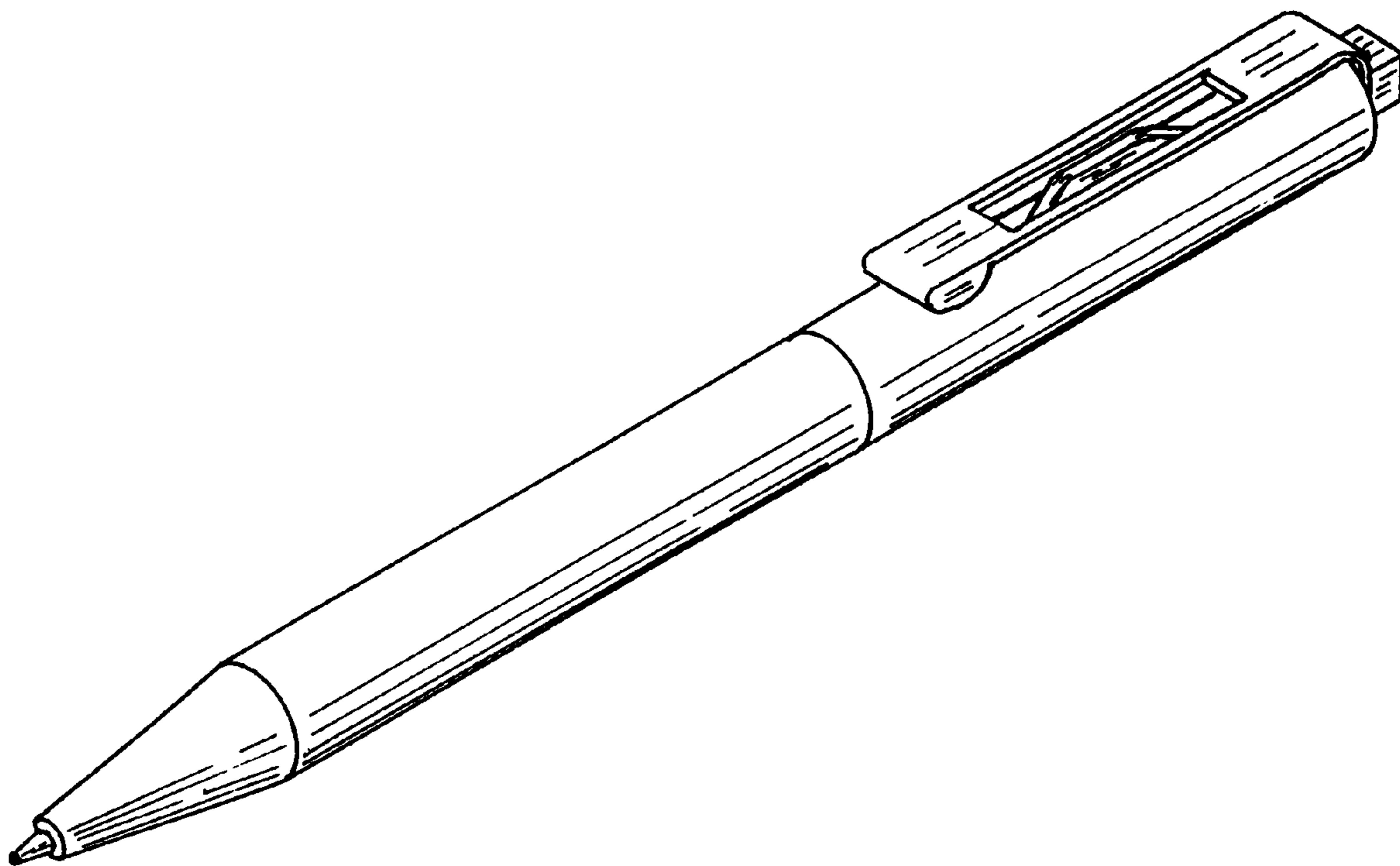
[57] **CLAIM**

The ornamental design for a writing instrument, as shown.

**DESCRIPTION**

FIG. 1 is a perspective view of the writing instrument of the present invention;  
FIG. 2 is a front view in elevation of the writing instrument of FIG. 1;  
FIG. 3 is a side view in elevation of the writing instrument of FIG. 1;  
FIG. 4 is a rear view in elevation of the writing instrument of FIG. 1;  
FIG. 5 is a top plan view of the writing instrument of FIG. 1; and,  
FIG. 6 is a cross section plan view of the writing instrument of FIG. 1.

**1 Claim, 1 Drawing Sheet**



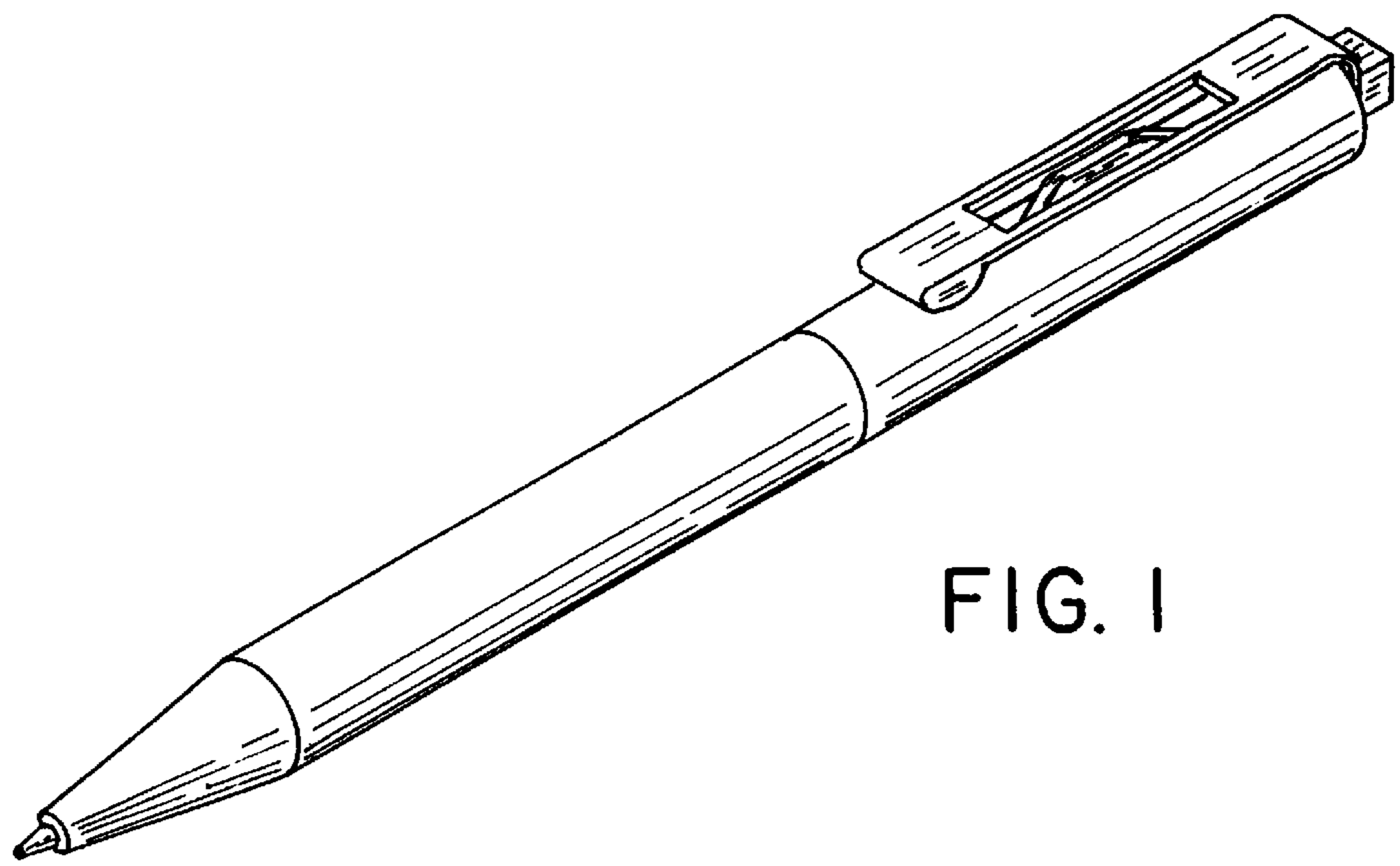


FIG. 1

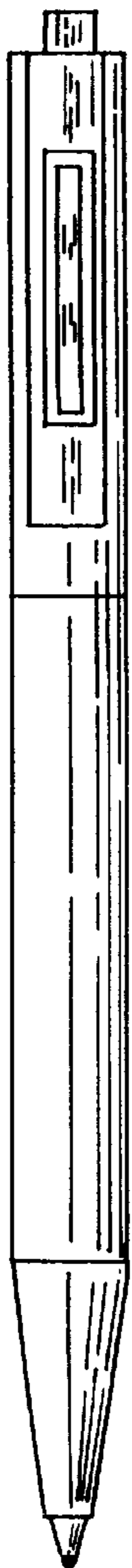


FIG. 2



FIG. 3



FIG. 4

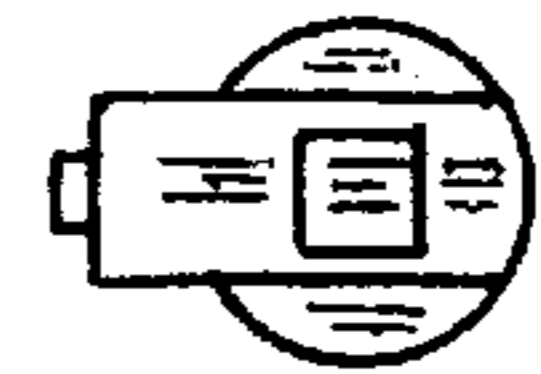


FIG. 5

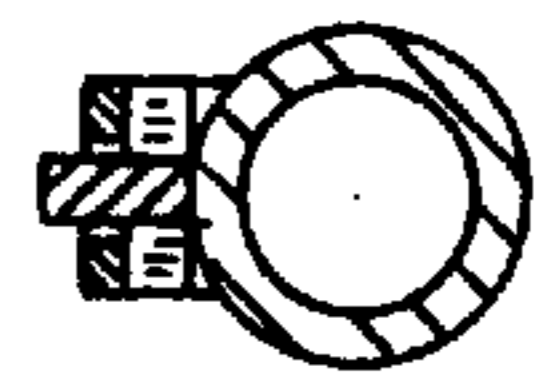


FIG. 6