



US00D429759S

United States Patent [19]

Dwyer et al.

[11] Patent Number: **Des. 429,759**

[45] Date of Patent: **** Aug. 22, 2000**

[54] **INKJET PRINTER**

[75] Inventors: **Daniel R. Dwyer**, Battle Ground, Wash.; **Douglas L. Harriman**, Portland, Oreg.; **Michael M. Leon**, Washougal, Wash.

[73] Assignee: **Hewlett-Packard Company**, Ft. Collins, Colo.

[**] Term: **14 Years**

[21] Appl. No.: **29/095,906**

[22] Filed: **Oct. 30, 1998**

[51] **LOC (7) Cl.** **14-02**

[52] **U.S. Cl.** **D18/55**

[58] **Field of Search** D18/50, 54-55, D18/36-37; 400/613, 613.1-613.4, 691-694, 690.1-690.4

D. 378,757	4/1997	Dubson	D18/55
D. 378,926	4/1997	Dubson	D18/50
D. 379,197	5/1997	Kawahara et al.	D18/55
D. 379,827	6/1997	Andre	D18/54
D. 379,828	6/1997	Dubson	D18/55
D. 382,583	8/1997	Takahashi et al.	D18/55
D. 382,894	8/1997	Berriman et al.	D18/55
D. 390,257	2/1998	Dwyer et al.	D18/55
D. 390,597	2/1998	Igarashi et al.	D18/55
D. 394,452	5/1998	Iwamoto et al.	D18/54
D. 399,251	10/1998	McGlashan	D18/55
D. 400,571	11/1998	Shimizu	D18/54
D. 400,572	11/1998	Sekine et al.	D18/54
D. 400,918	11/1998	Kobayashi et al.	D18/55
D. 402,689	12/1998	Brown et al.	D18/55
D. 406,273	3/1999	Dwyer et al.	D18/55
D. 406,274	3/1999	Brown et al.	D18/55
D. 413,351	8/1999	Escobedo et al.	D18/50
D. 413,622	9/1999	Brown et al.	D18/49
D. 414,799	10/1999	Cook et al.	D18/55
5,863,141	1/1999	Hong et al.	400/692

Primary Examiner—Cathy Anne MacCormac
Attorney, Agent, or Firm—Erik A. Anderson

[56] References Cited

U.S. PATENT DOCUMENTS

D. 293,578	1/1988	Matsumoto et al.	D14/111
D. 307,765	5/1990	Dubson et al.	D18/13
D. 322,090	12/1991	McClelland et al.	D18/55
D. 322,451	12/1991	McClelland et al.	D18/55
D. 324,395	3/1992	Dubson	D18/54
D. 326,678	6/1992	Uchibori et al.	D18/55
D. 348,899	7/1994	Masujima et al.	D18/55
D. 356,596	3/1995	Dubson et al.	D18/55
D. 356,818	3/1995	Sekine et al.	D18/55
D. 358,603	5/1995	Dodge et al.	D18/55
D. 368,435	4/1996	Caamano et al.	D10/63
D. 370,026	5/1996	McGlashan	D18/55
D. 373,378	9/1996	Brown et al.	D18/55
D. 373,380	9/1996	Dwyer et al.	D18/55
D. 373,596	9/1996	Sekine et al.	D18/55
D. 374,685	10/1996	Tsuruoka	D18/54
D. 376,615	12/1996	Dubson	D18/50
D. 378,299	3/1997	Fetherolf	D18/50

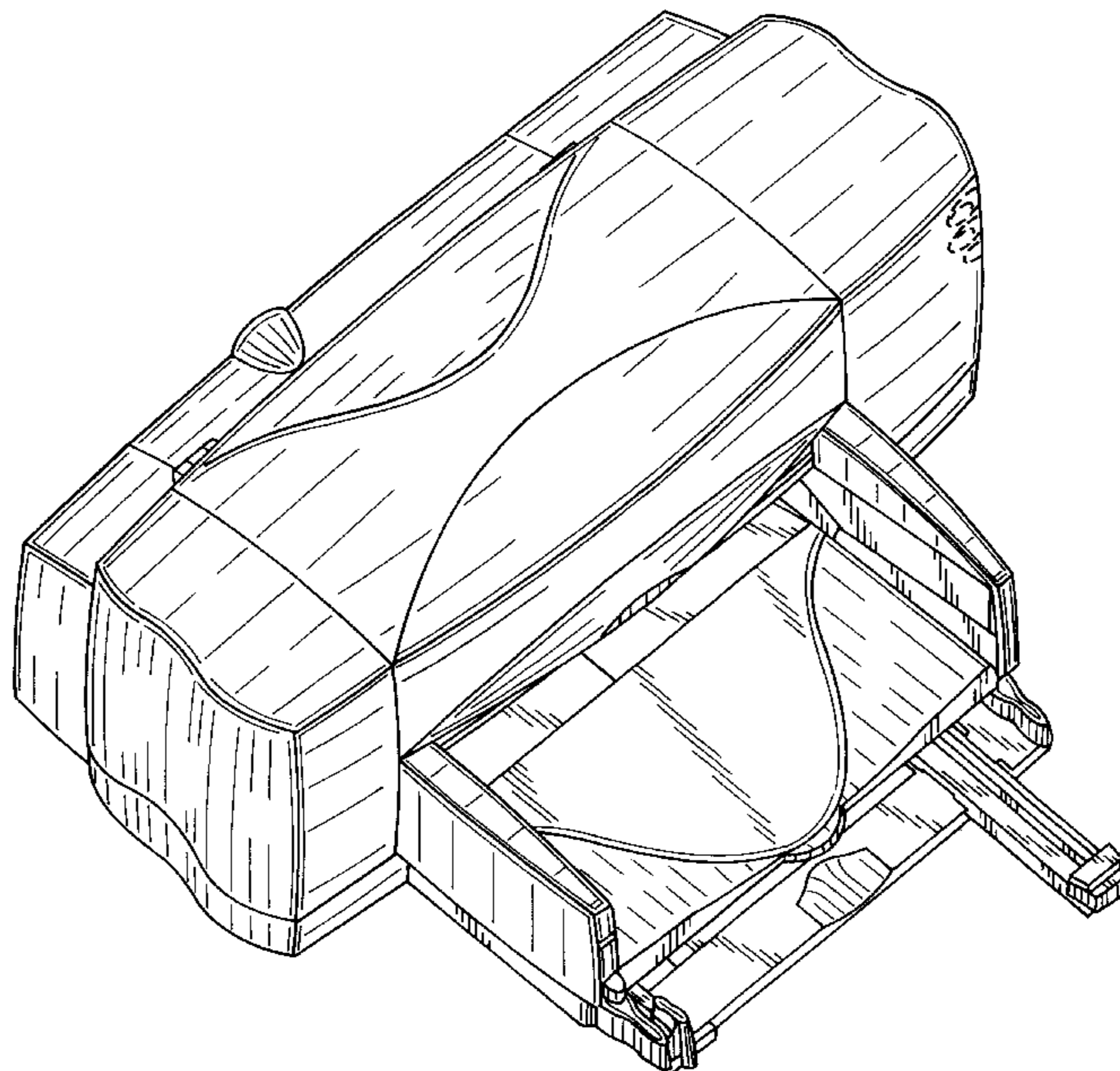
[57] CLAIM

The ornamental design for an inkjet printer, as shown and described.

DESCRIPTION

FIG. 1 is a perspective view of an inkjet printer in accordance with the present invention; FIG. 2 is a top plan view thereof; FIG. 3 is a front elevational view thereof; FIG. 4 is a bottom plan view thereof; FIG. 5 is a rear elevational view thereof; FIG. 6 is a left side elevational view thereof; and, FIG. 7 is a right side elevational view thereof. The broken lines in FIGS. 1-3, 5, and 7 are for illustrative purposes only and form no part of the claimed design.

1 Claim, 6 Drawing Sheets



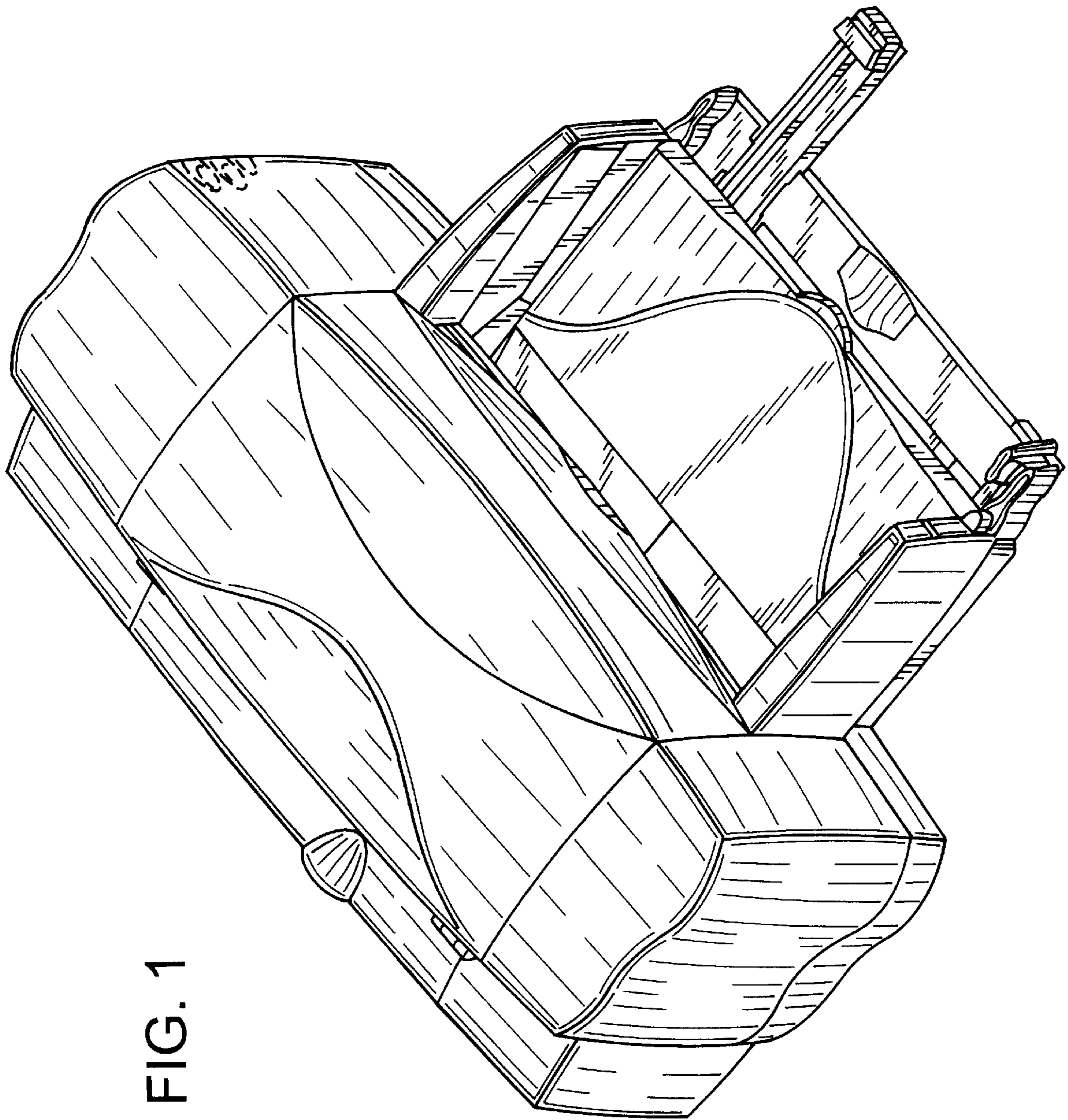


FIG. 1

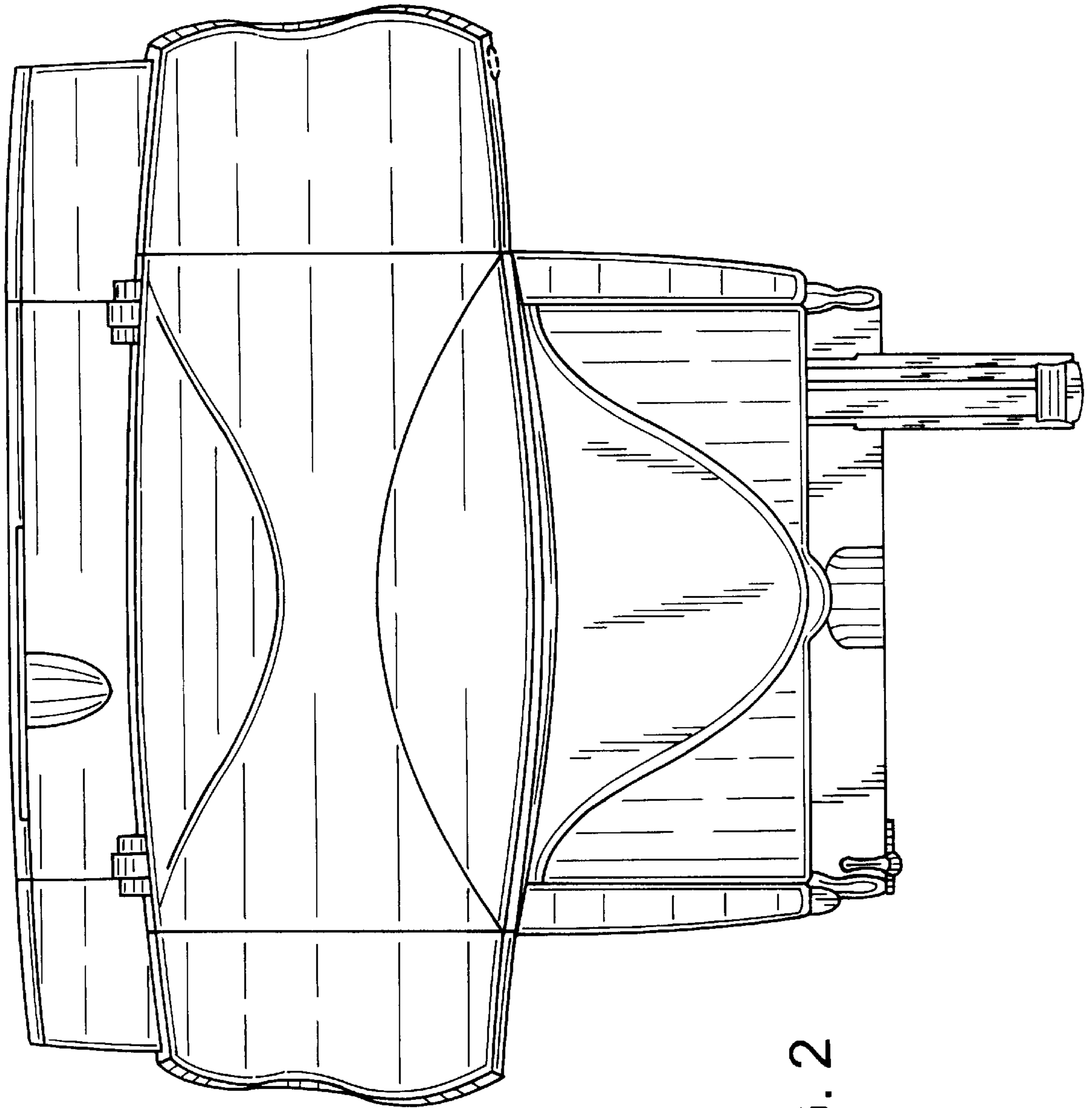


FIG. 2

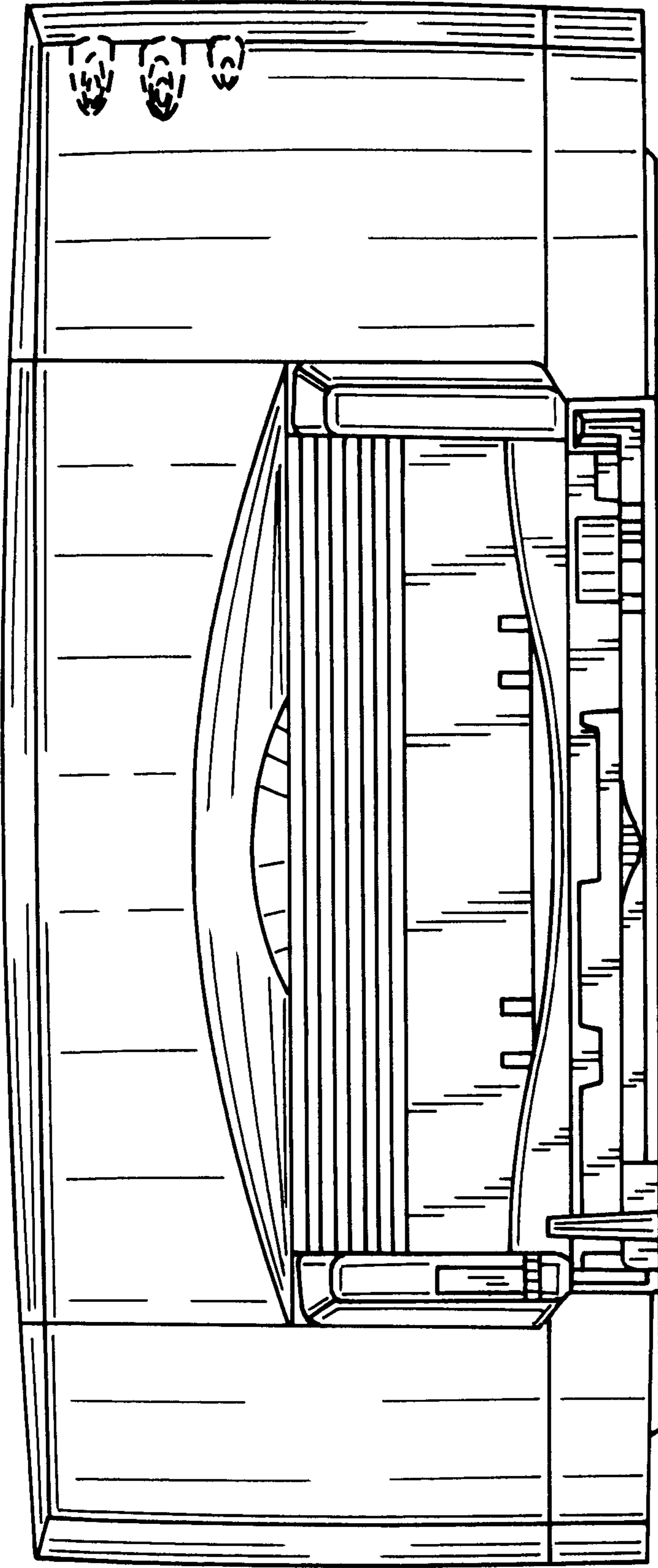
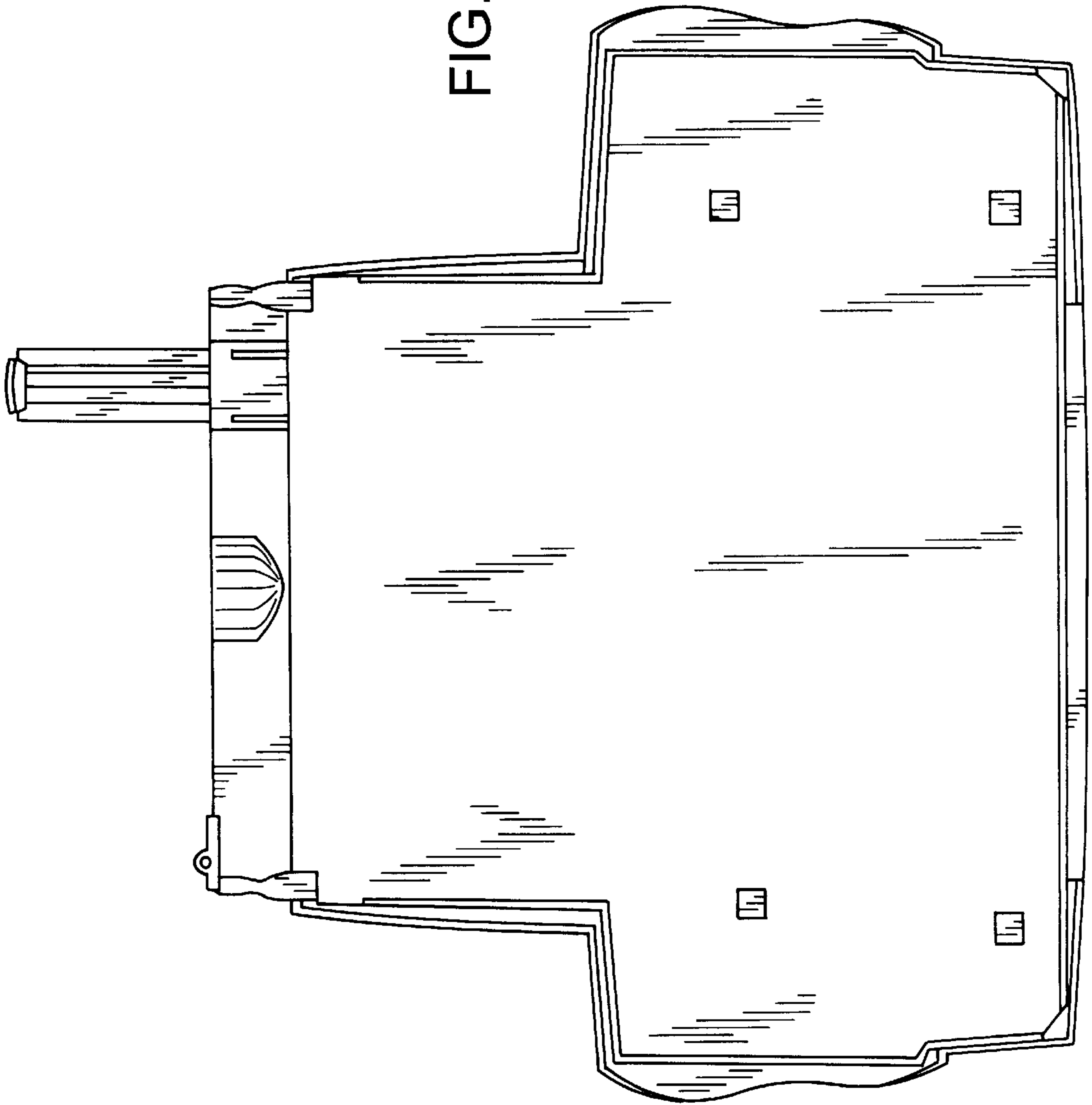


FIG. 3

FIG. 4



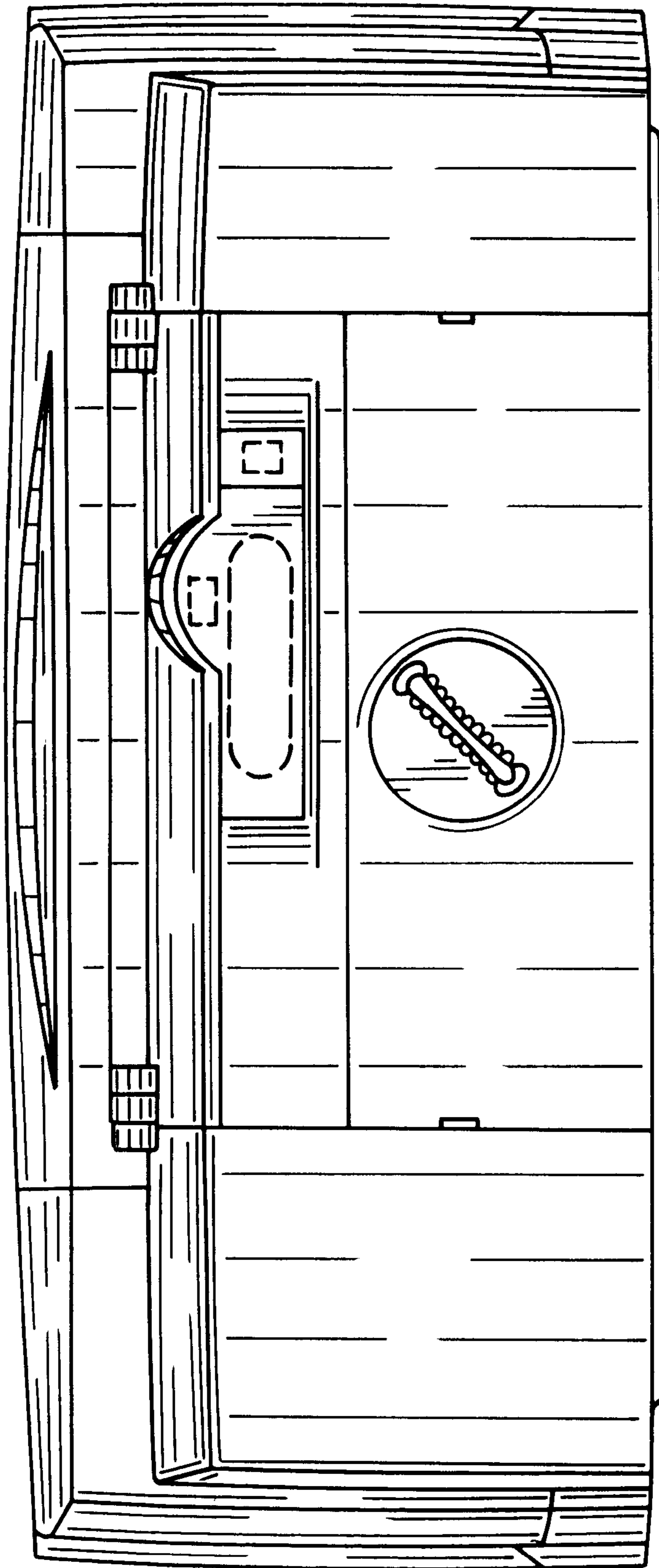


FIG. 5

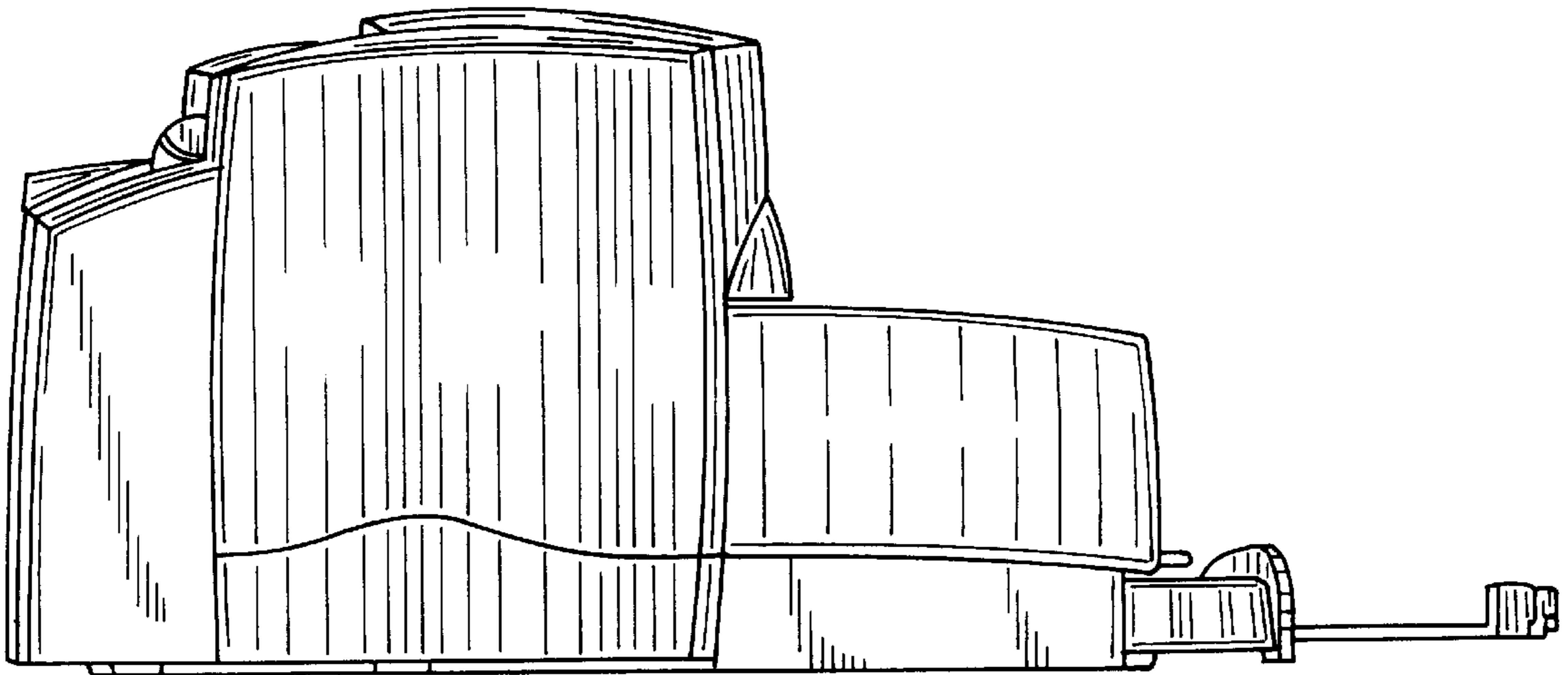


FIG. 6

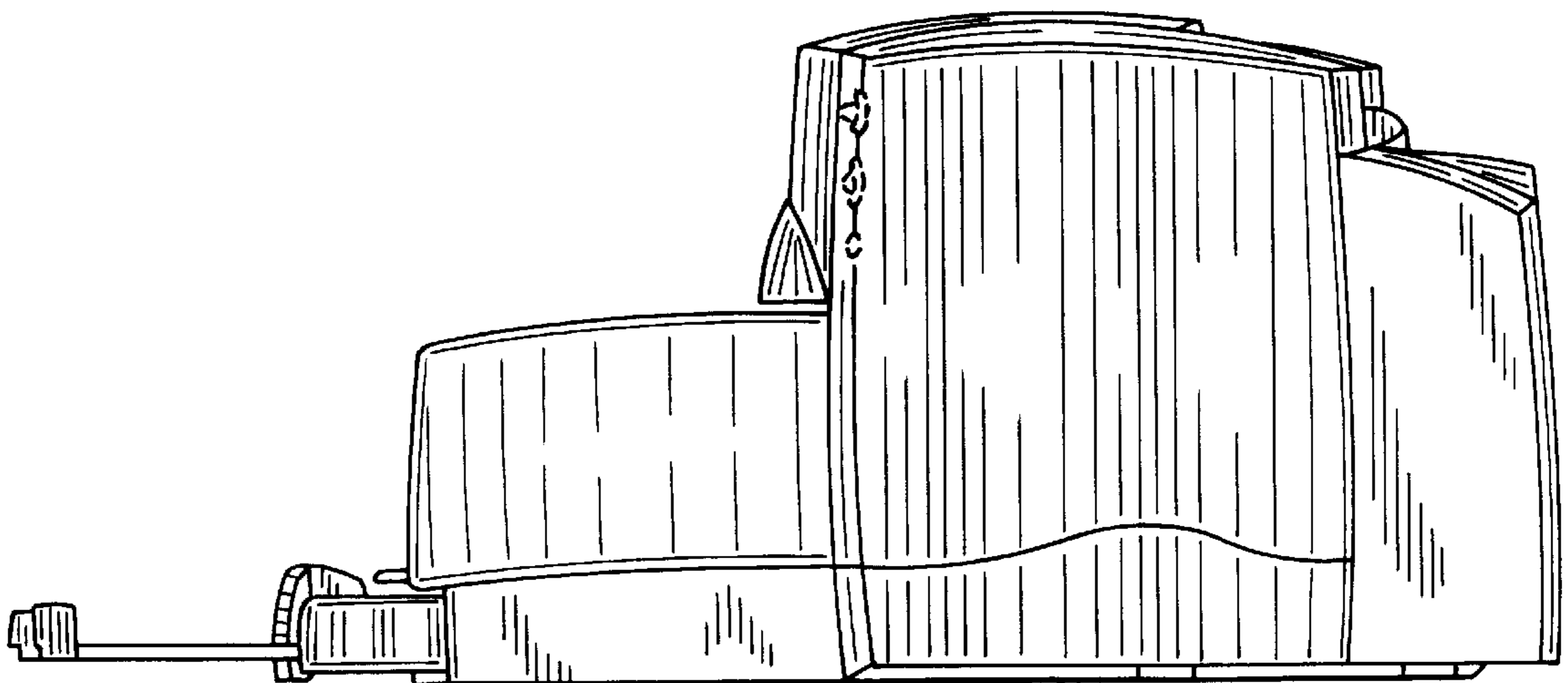


FIG. 7