



US00D429752S

United States Patent [19]
Polland

[11] **Patent Number: Des. 429,752**

[45] **Date of Patent: ** Aug. 22, 2000**

[54] **SPECTACLE FRAME**

[75] Inventor: **Martin Polland**, Wolfsburg, Germany

[73] Assignee: **Volkswagen AG**, Wolfsburg, Germany

[**] Term: **14 Years**

[21] Appl. No.: **29/097,630**

[22] Filed: **Dec. 10, 1998**

[51] **LOC (7) Cl.** **16-06**

[52] **U.S. Cl.** **D16/315**

[58] **Field of Search** D16/101, 300-330,
D16/335; 351/41, 44, 51, 52, 158, 57-59,
103, 111; D29/109, 110; 2/447, 448

[56] **References Cited**

U.S. PATENT DOCUMENTS

D. 168,380	12/1952	Schumacher et al.	D16/315
D. 191,014	8/1961	Maitenaz	D16/315
D. 381,036	7/1997	Kimura	D16/335
D. 400,909	11/1998	Simioni	D16/327
2,516,549	7/1950	Chappell	D16/315

OTHER PUBLICATIONS

New York Times, Nov. 14, 1997.

Primary Examiner—Raphael Barkai
Attorney, Agent, or Firm—Cohen, Pontani, Lieberman & Pavane

[57] **CLAIM**

The ornamental design for a spectacle frame, as shown and described.

DESCRIPTION

FIG. 1 is a front perspective view of the spectacle frame of the present invention;

FIG. 2 is a front elevational view thereof with the frame folded;

FIG. 3 is a rear elevational view thereof with the frame folded;

FIG. 4 is a right side view of FIG. 1;

FIG. 5 is a left side view of FIG. 1;

FIG. 6 is a top view thereof; and,

FIG. 7 is a bottom view thereof.

The broken lines appearing in FIGS 1-7 is for illustrative purposes only and forms no part of the claimed design.

1 Claim, 3 Drawing Sheets

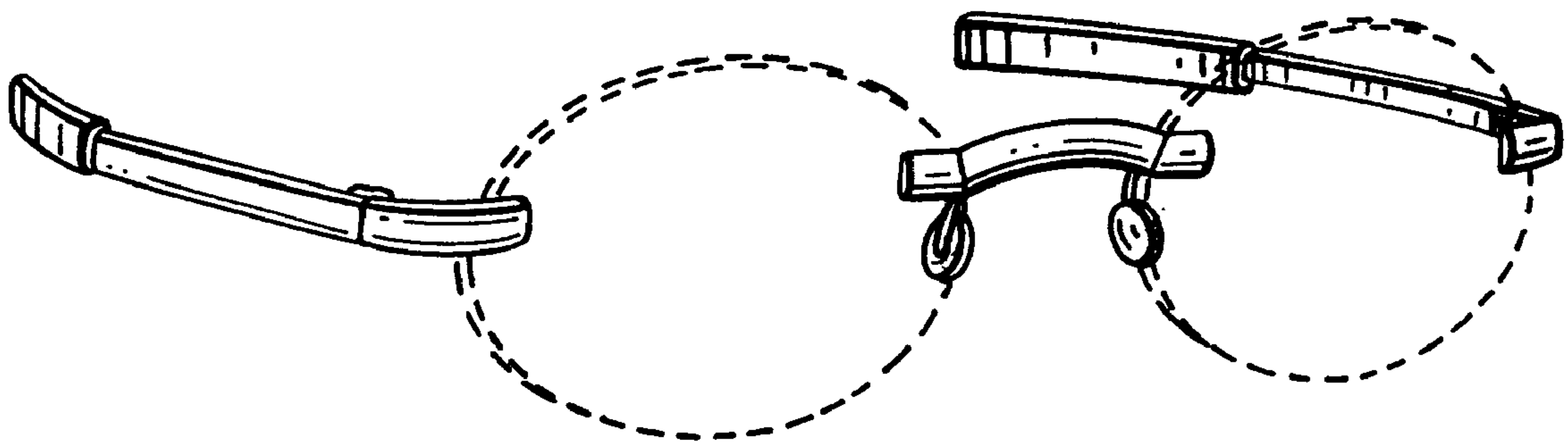


FIG. 1

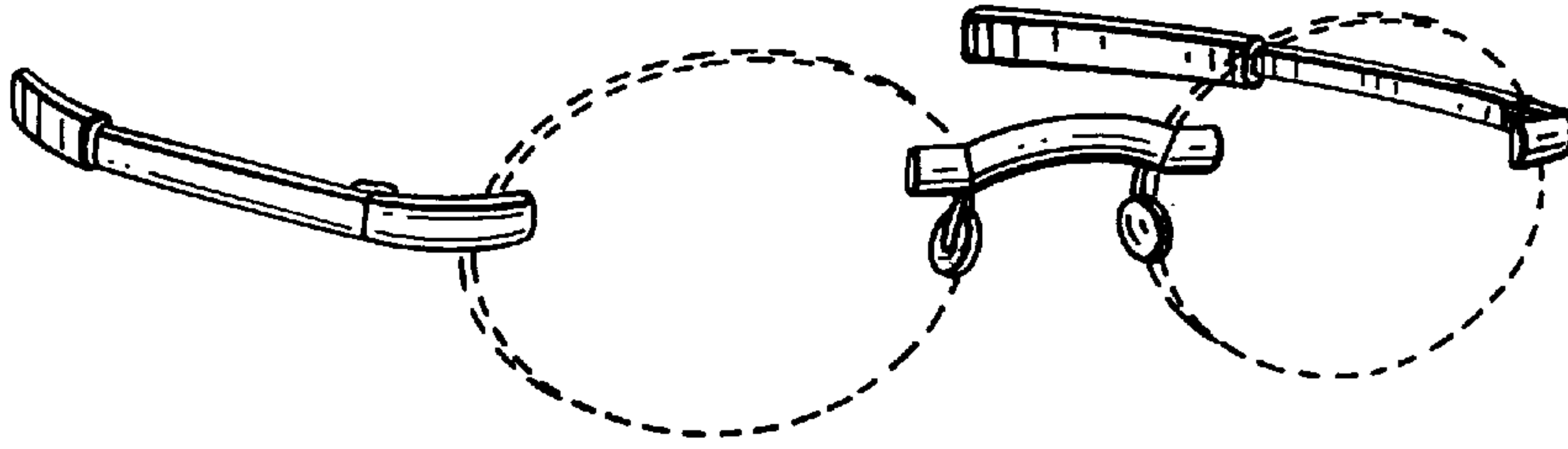


FIG. 2

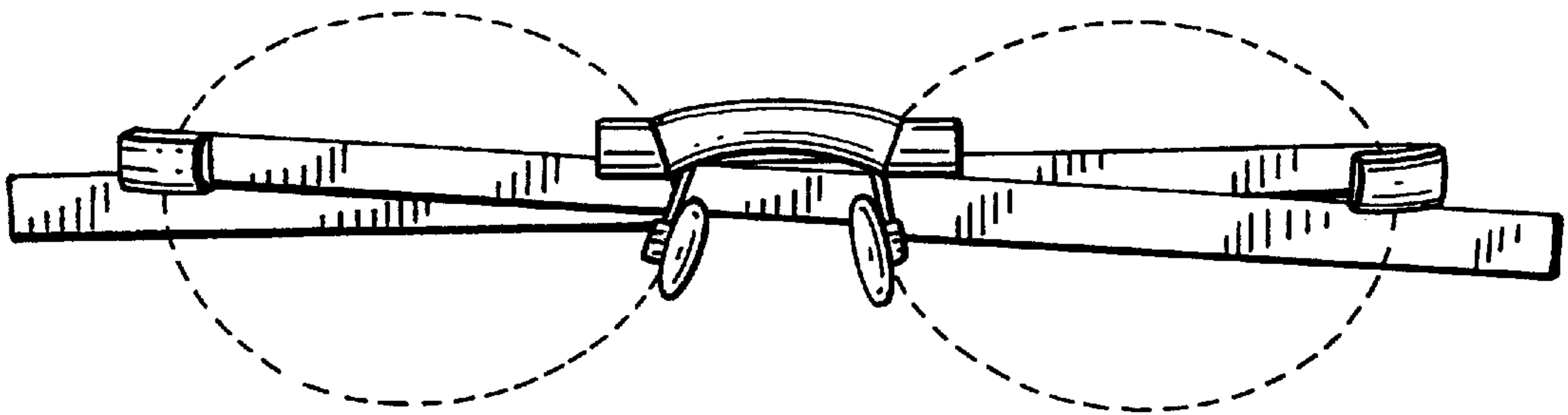


FIG. 3

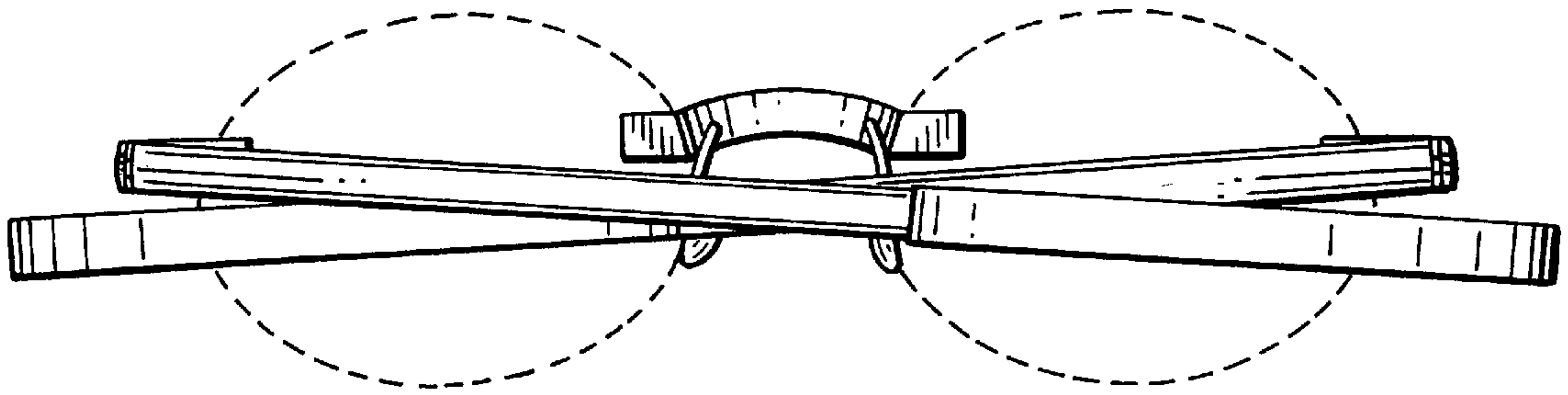


FIG. 4

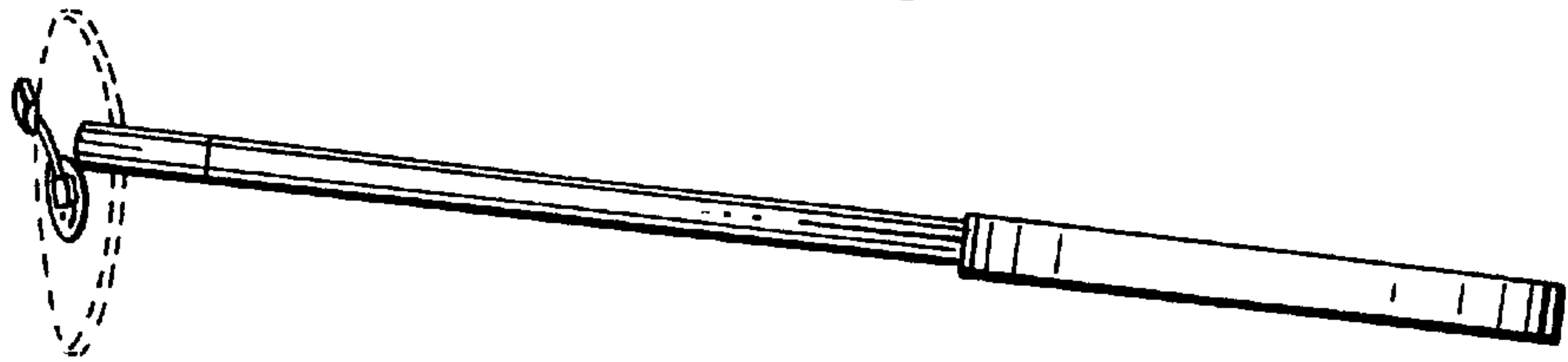


FIG. 5

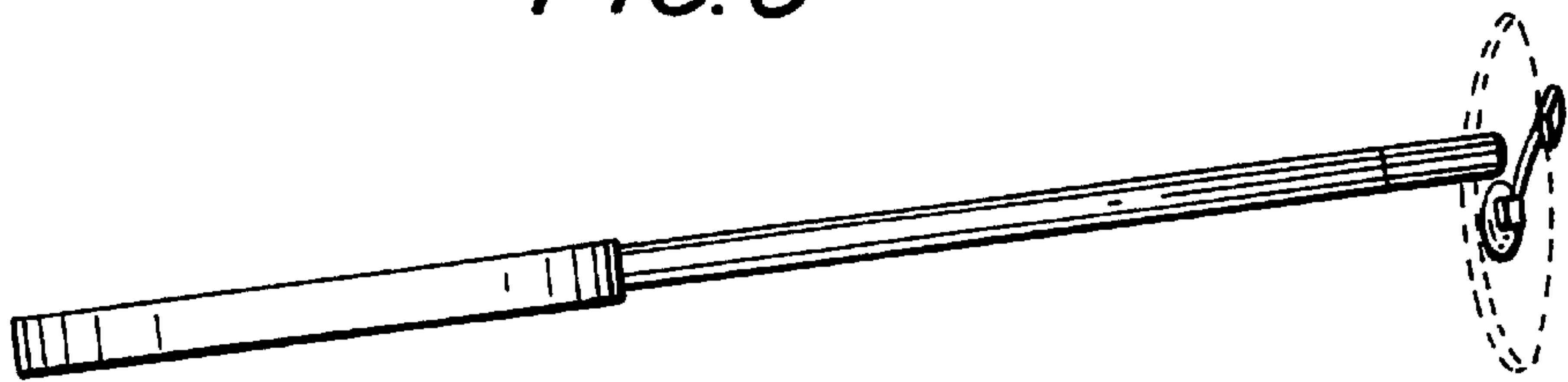


FIG. 7

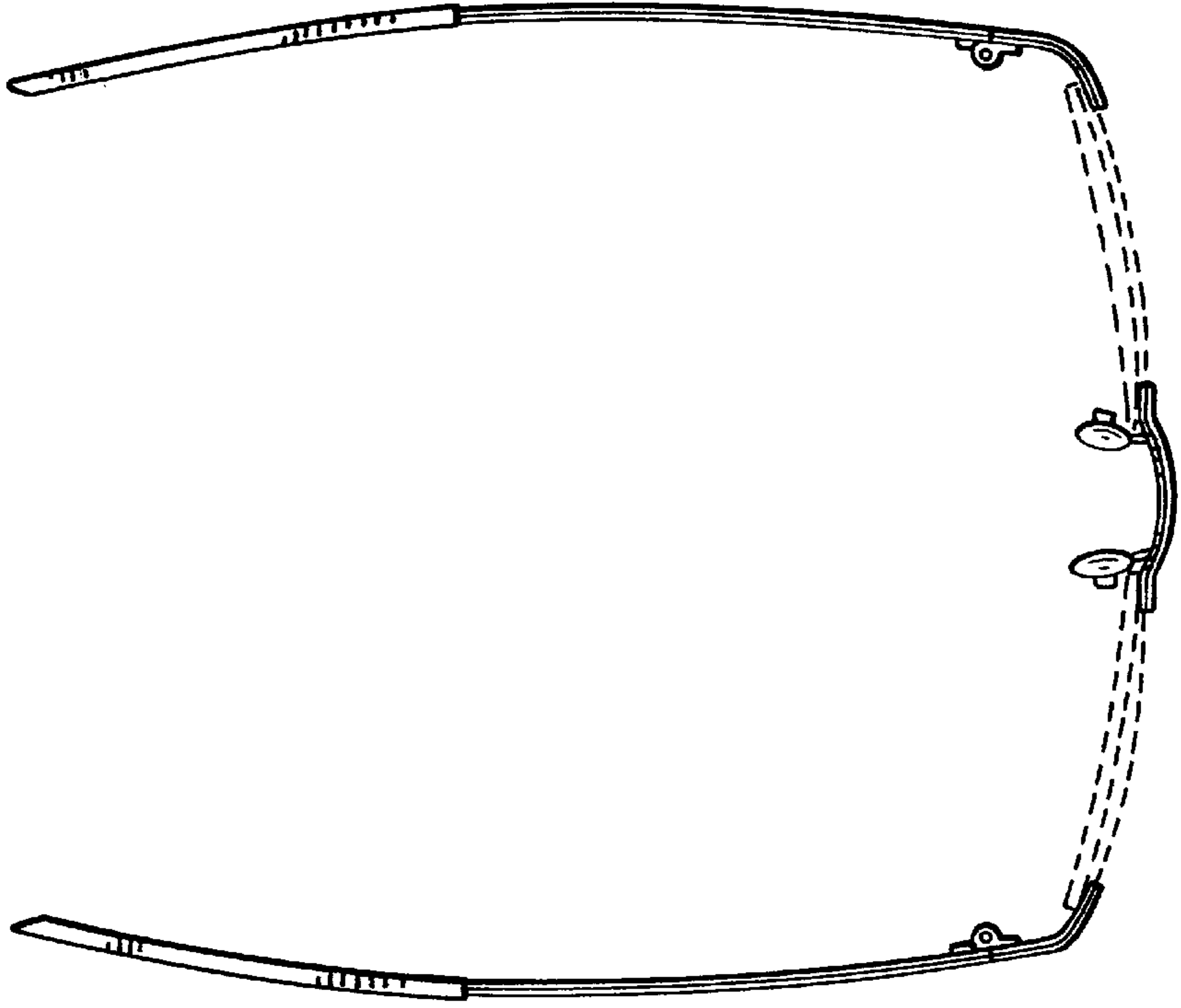


FIG. 6

