



US00D429749S

United States Patent [19]

Hatakeyama

[11] **Patent Number: Des. 429,749**

[45] **Date of Patent: ** Aug. 22, 2000**

[54] **SLIDABLE CONTROL ASSEMBLY FOR A CAMERA**

D. 410,482 6/1999 Kawai D16/218
5,564,812 10/1996 Berardi 362/23

[75] Inventor: **Chie Hatakeyama**, Tokyo, Japan

Primary Examiner—Adir Aronovich
Attorney, Agent, or Firm—Sughrue, Mion, Zinn, Macpeak & Seas, PLLC

[73] Assignee: **Asahi Kogaku Kogyo Kabushiki Kaisha**, Tokyo, Japan

[**] Term: **14 Years**

[57] CLAIM

[21] Appl. No.: **29/112,226**

The ornamental design for a slidable control assembly for a camera, as shown and described.

[22] Filed: **Oct. 14, 1999**

DESCRIPTION

[30] Foreign Application Priority Data

Apr. 16, 1999 [JP] Japan 11-10081

FIG. 1 is a perspective view of the top, rear and right side of a slidable control assembly for a camera showing my new design;

[51] **LOC (7) Cl.** **16-05**

[52] **U.S. Cl.** **D16/219**

FIGS. 2, 3, 4, 5, and 6 are front, top, left side, right side and bottom views, respectively, of the camera in which the slidable control assembly does not appear; and,

[58] **Field of Search** D16/200–206,
D16/208, 209, 217, 218, 219, 237; 362/23;
396/439, 535–541

FIG. 7 is a rear elevational view of a slidable control assembly for a camera.

The elements shown in broken lines in FIGS. 1–7 inclusive are shown for background purposes only and do not constitute any portion of the claimed design.

[56] References Cited

U.S. PATENT DOCUMENTS

D. 371,377 7/1996 Miyahara D16/202

1 Claim, 3 Drawing Sheets

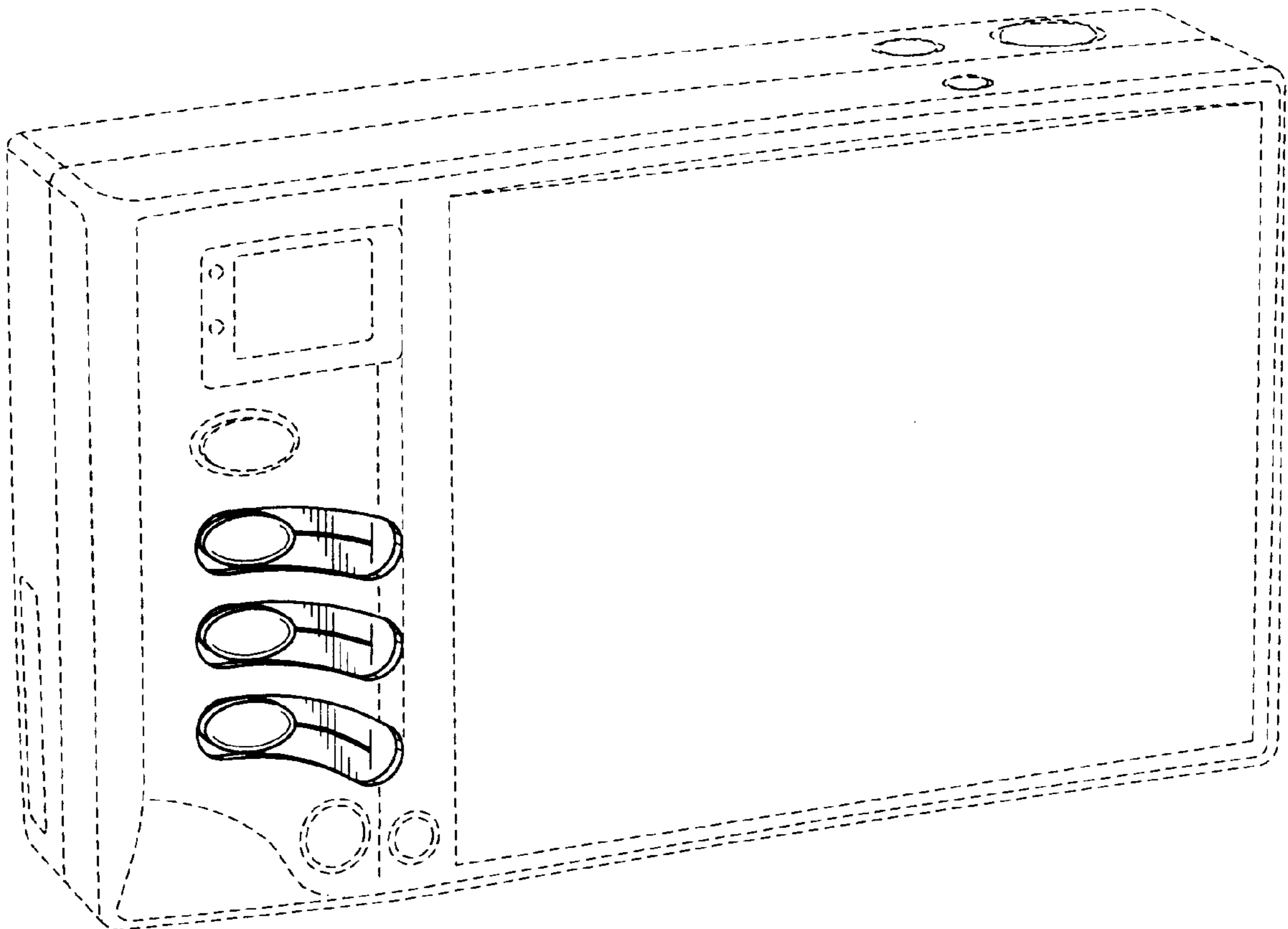


FIG. 1

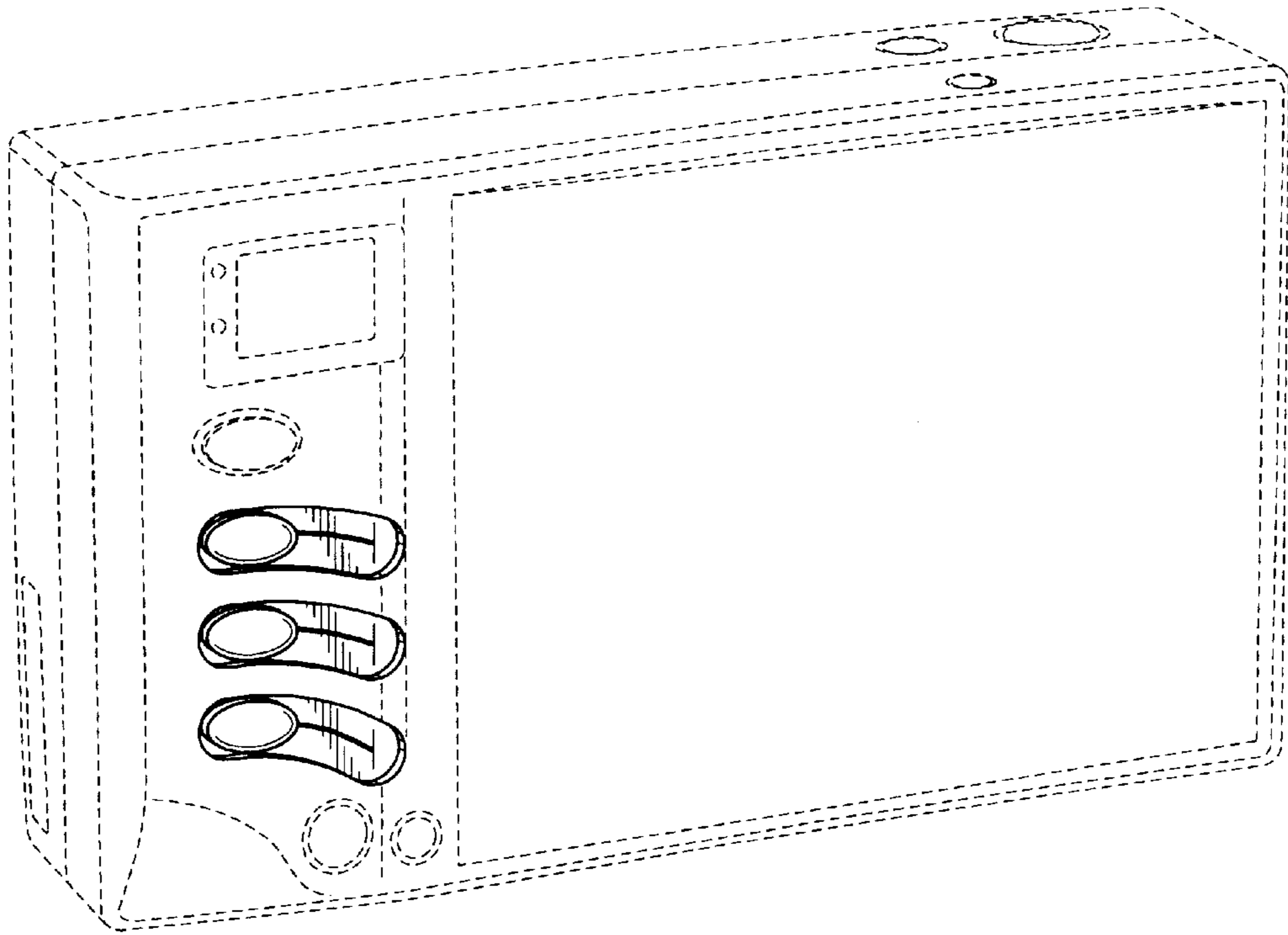


FIG. 2

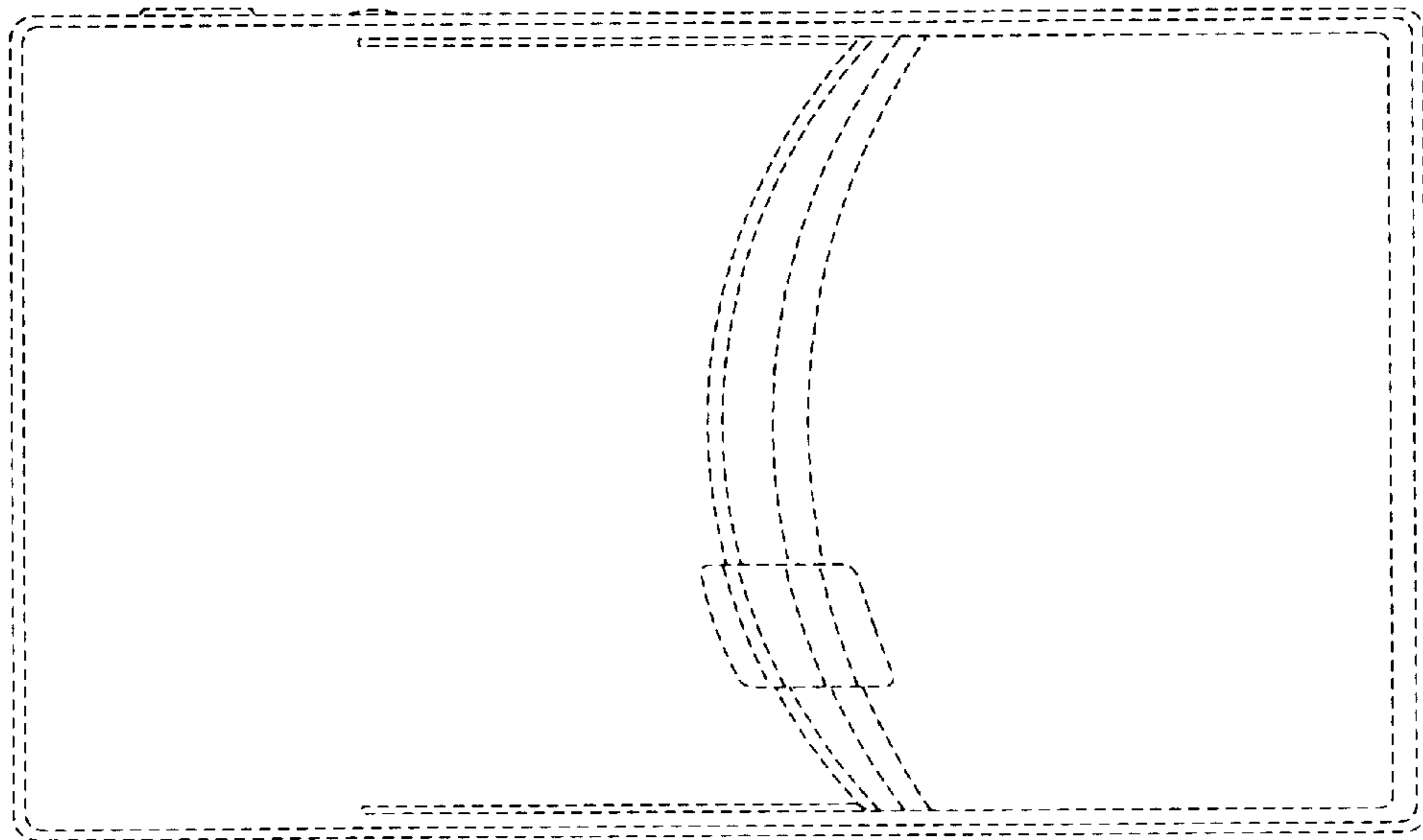


FIG. 3

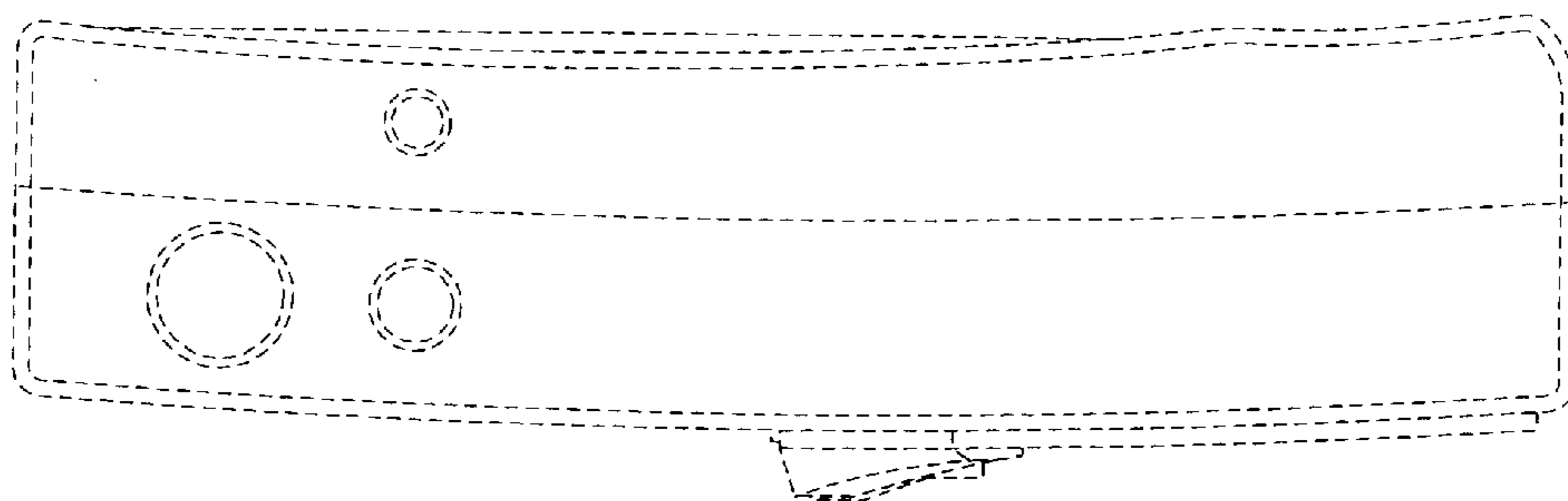


FIG. 4

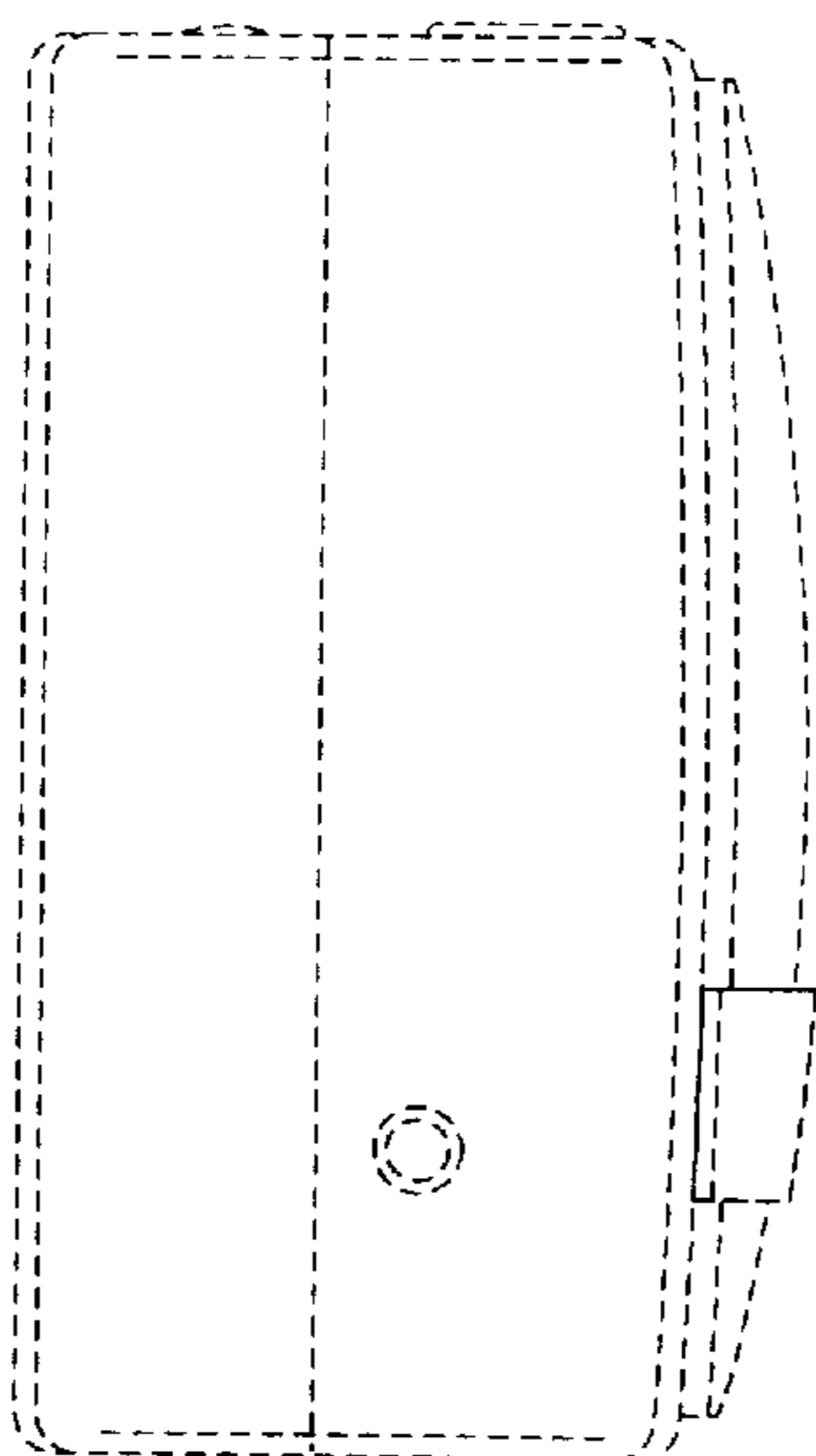


FIG. 5

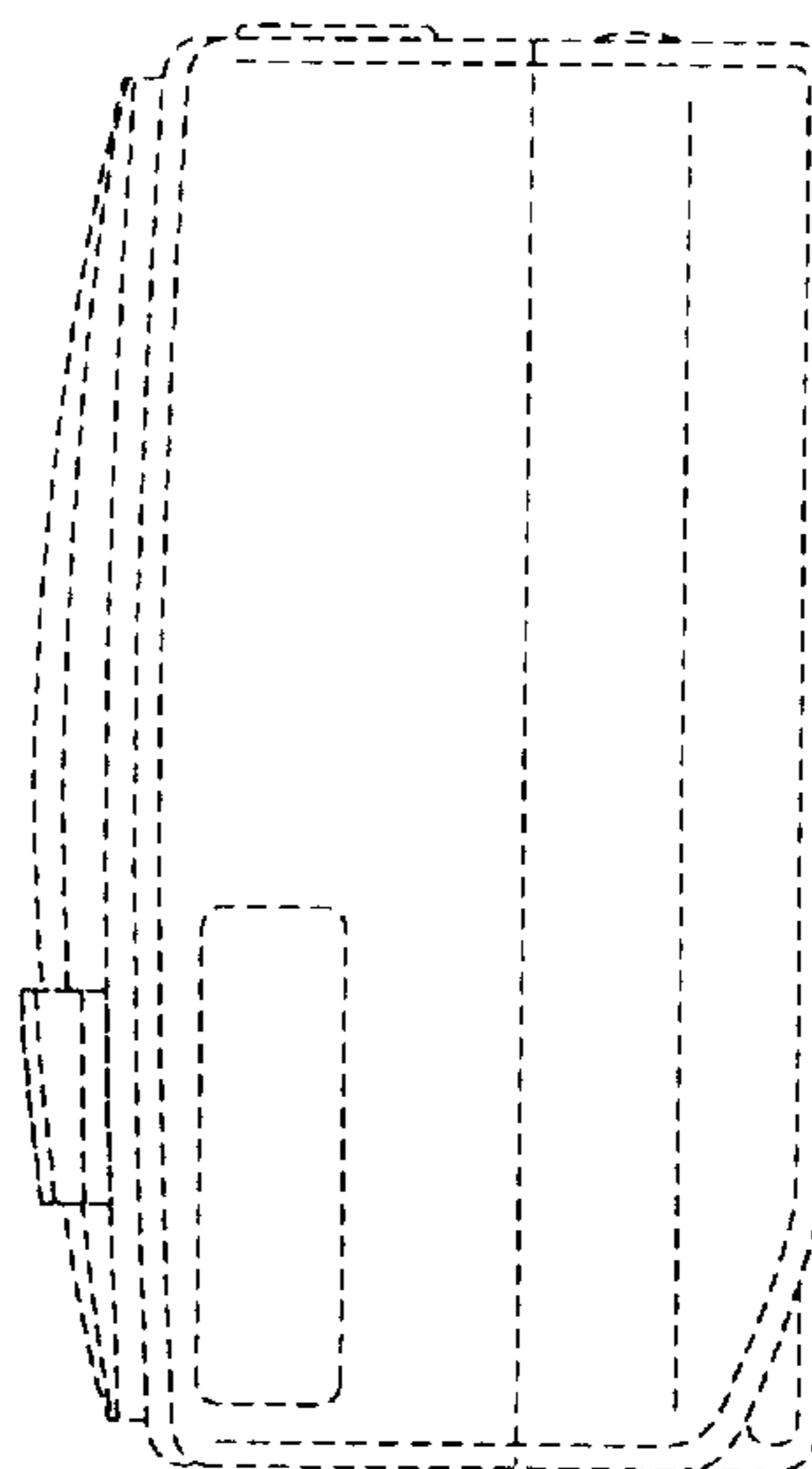


FIG. 6

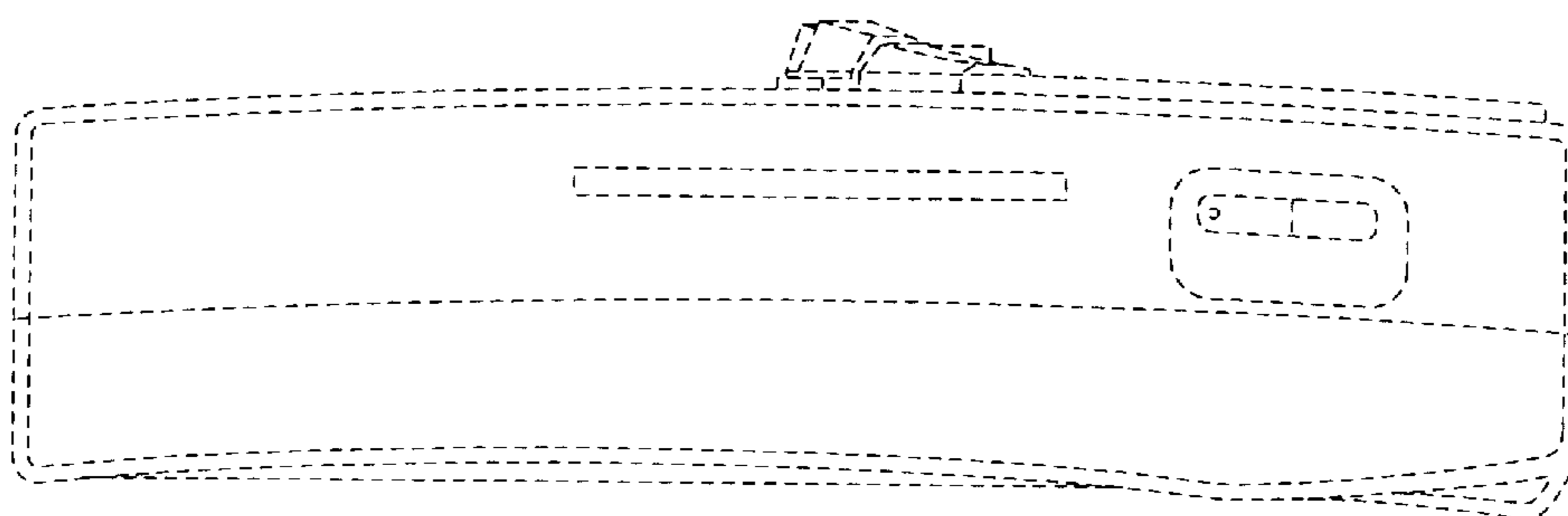


FIG. 7

