



US00D429748S

United States Patent [19] Hatakeyama

[11] **Patent Number: Des. 429,748**

[45] **Date of Patent: ** Aug. 22, 2000**

[54] **SLIDABLE COVER FOR A CAMERA**

[75] Inventor: **Chie Hatakeyama**, Tokyo, Japan

[73] Assignee: **Asahi Kogaku Kogyo Kabushiki Kaisha**, Tokyo, Japan

[**] Term: **14 Years**

[21] Appl. No.: **29/112,225**

[22] Filed: **Oct. 14, 1999**

[30] Foreign Application Priority Data

Apr. 16, 1999 [JP] Japan 11-10082

[51] **LOC (7) Cl.** **16-05**

[52] **U.S. Cl.** **D16/219; D16/212**

[58] **Field of Search** D16/200-206,
D16/208, 209, 211, 212, 217, 218, 219,
237; 396/349, 448, 535-541

[56] References Cited

U.S. PATENT DOCUMENTS

D. 381,032	7/1997	Matsushita	D16/209
D. 404,412	1/1999	Yoshii et al.	D16/202
D. 412,519	8/1999	Omino et al.	D16/218
D. 416,035	11/1999	Hamamura	D16/212
4,556,304	12/1985	Fukuda	396/448

5,508,769	4/1996	Inoue et al.	396/349
5,980,121	11/1999	Fujisaki	396/349
6,036,376	3/2000	Owashi et al.	396/349

Primary Examiner—Adir Aronovich
Attorney, Agent, or Firm—Sughrue, Mion, Zinn, Macpeak & Seas, PLLC

[57] CLAIM

The ornamental design for a slidable cover for a camera, as shown and described.

DESCRIPTION

FIG. 1 is a perspective view of the front, top and right side of a slidable cover for a camera showing my new design; FIG. 2 is a front elevational view thereof; FIG. 3 is a top plan view thereof; FIG. 4 is a left side elevational view thereof; FIG. 5 is a right side elevational view thereof; FIG. 6 is a bottom plan view thereof; FIG. 7 is a rear elevational view of the camera in which the slidable cover does not appear; and, FIG. 8 is a perspective view similar to FIG. 1 showing the slidable cover in the open position.

The elements shown in broken lines in FIGS. 1-8 are for background purposes only and do not constitute a portion of the claimed design.

1 Claim, 3 Drawing Sheets

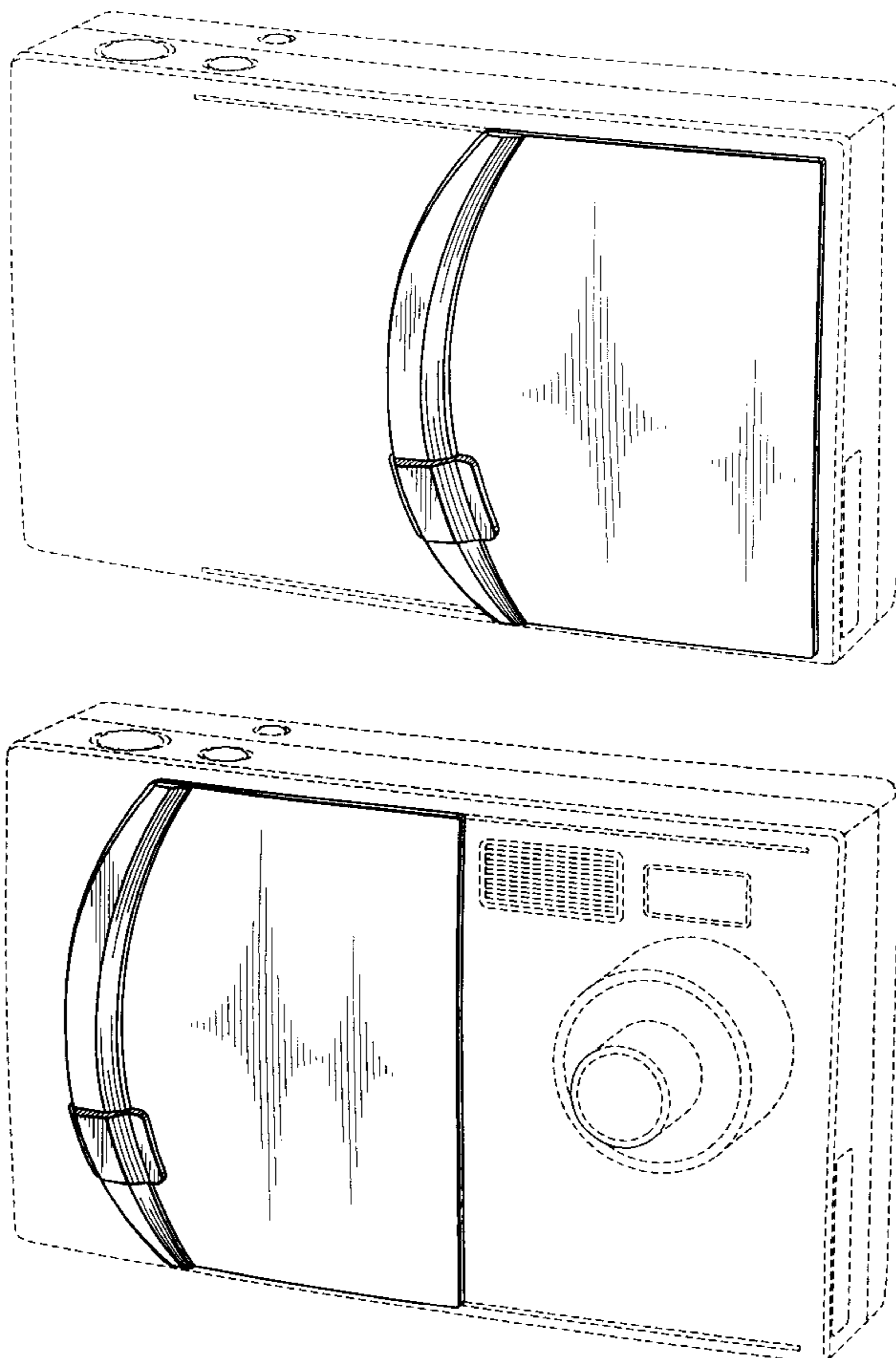


FIG. 1

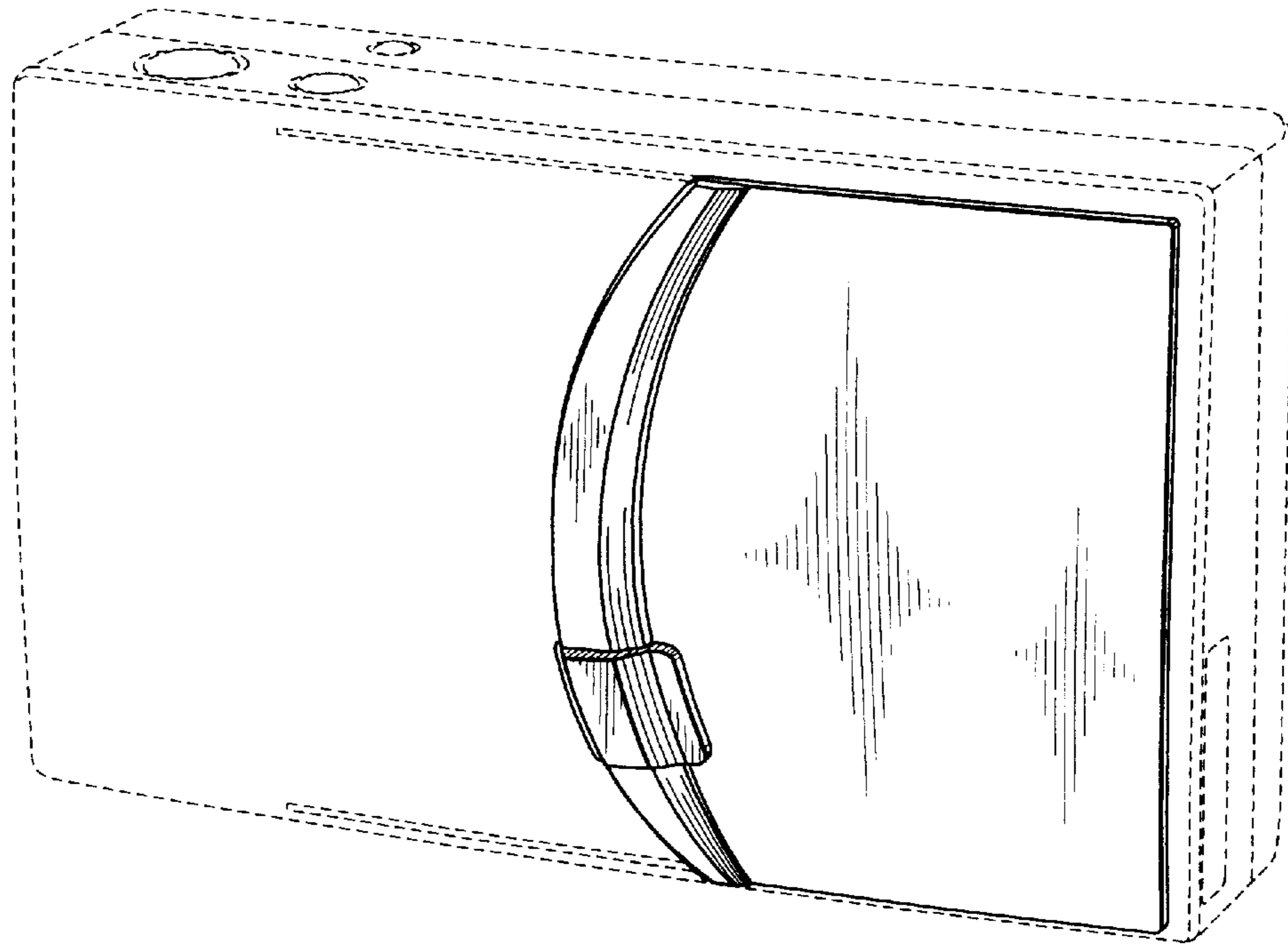


FIG. 2

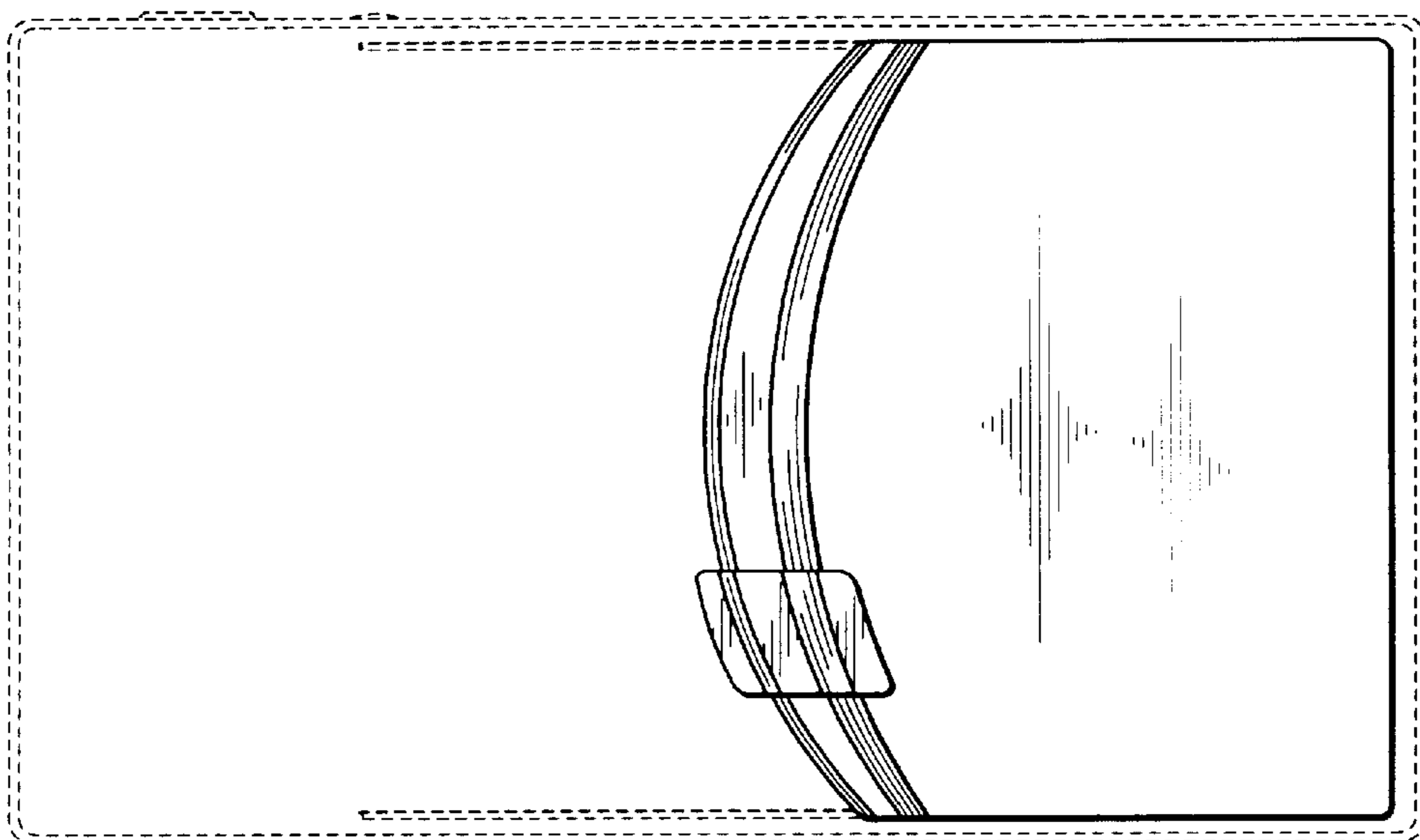


FIG. 3

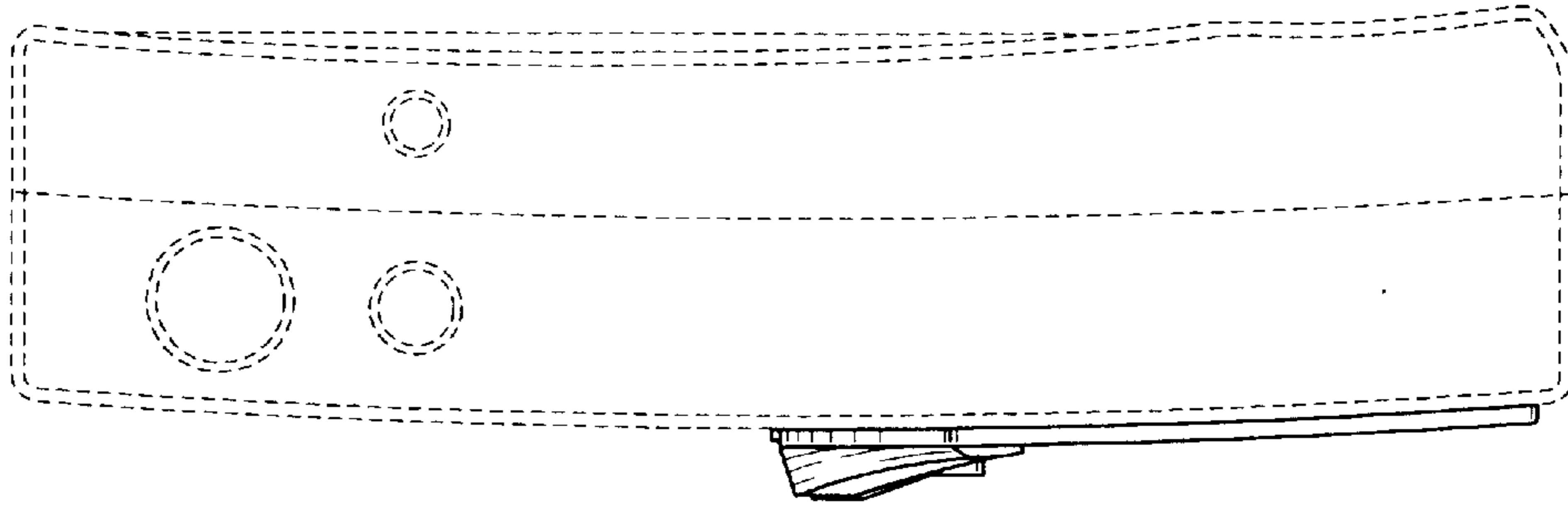


FIG. 4

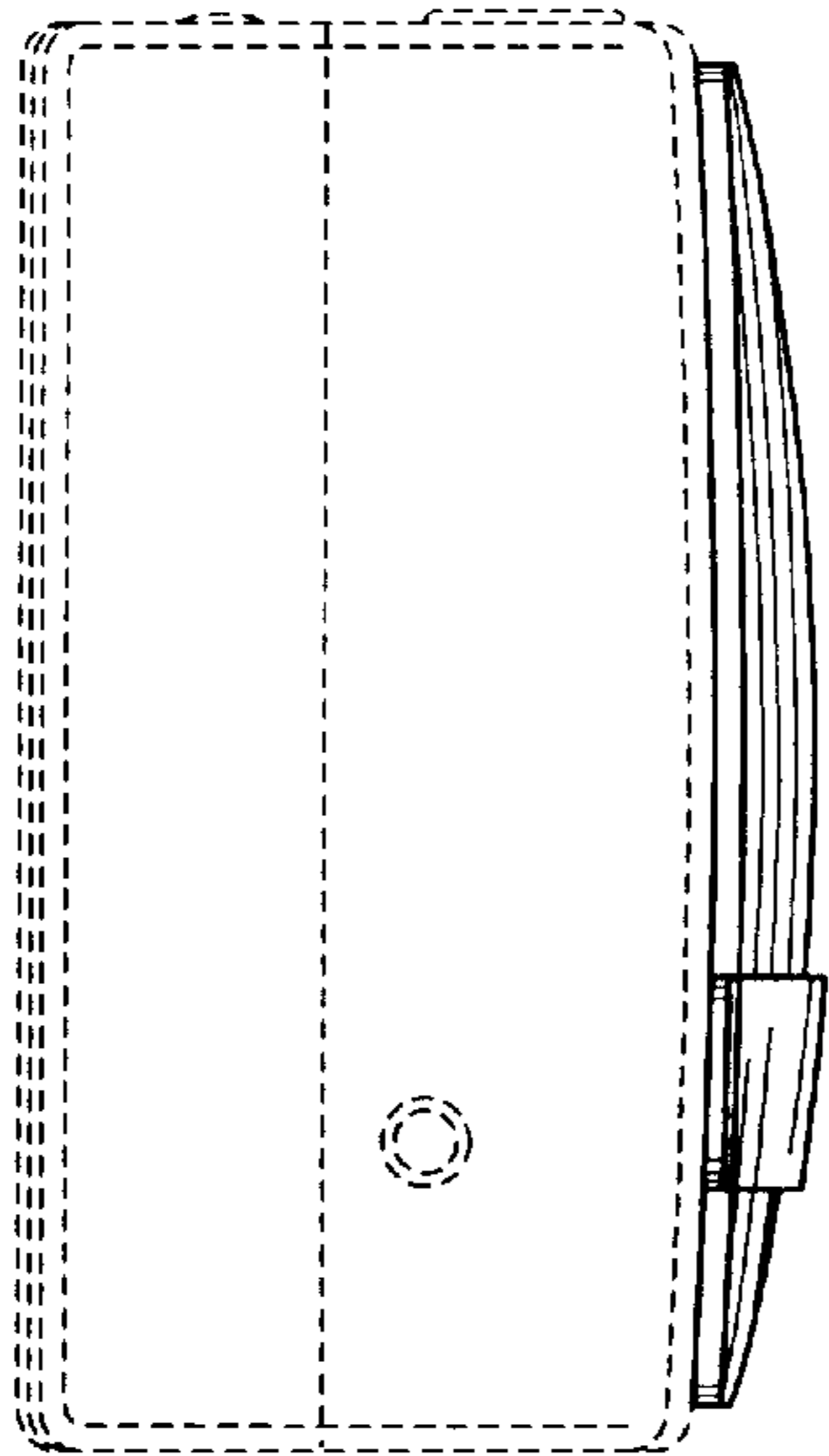


FIG. 5

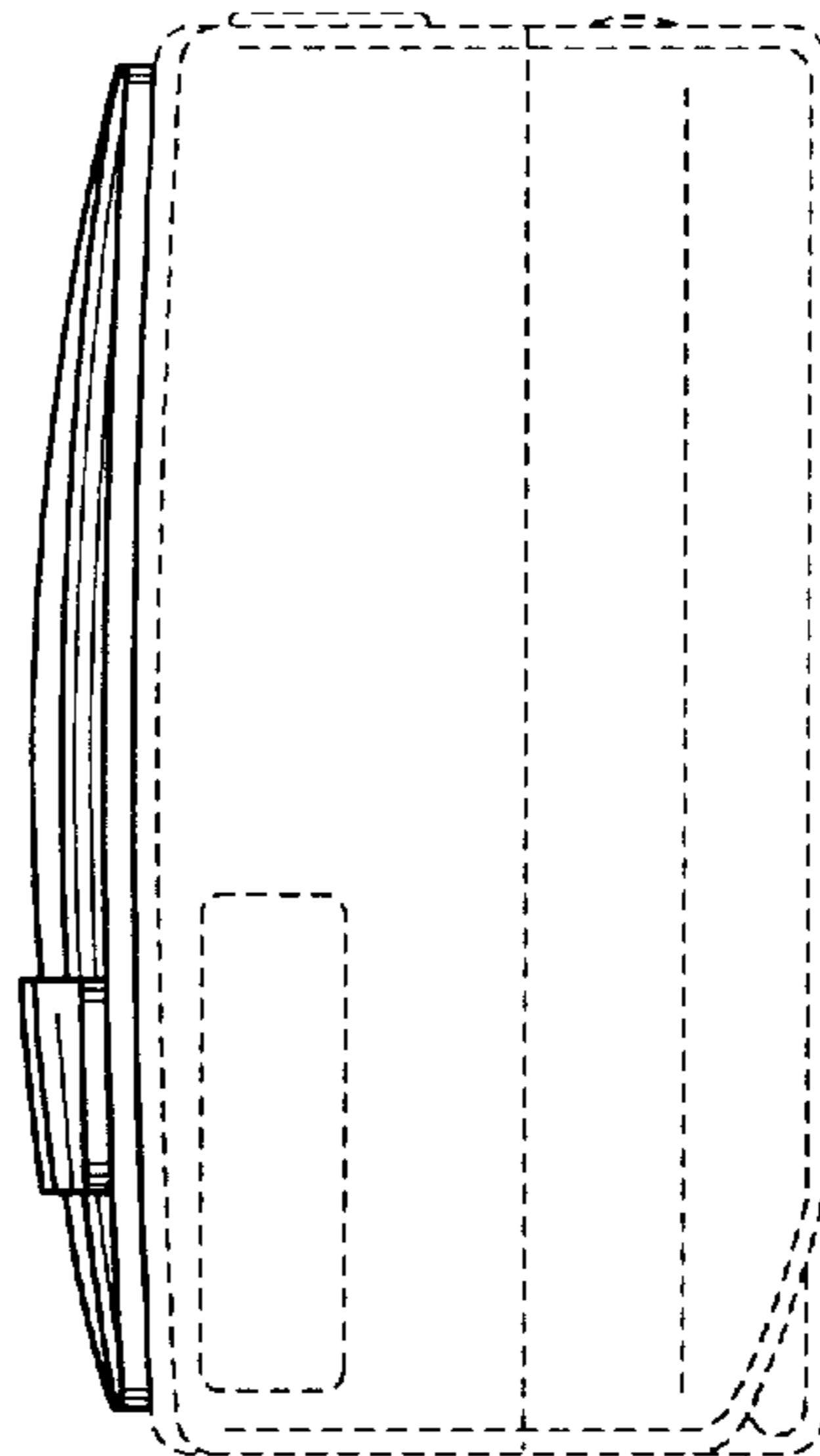


FIG. 6

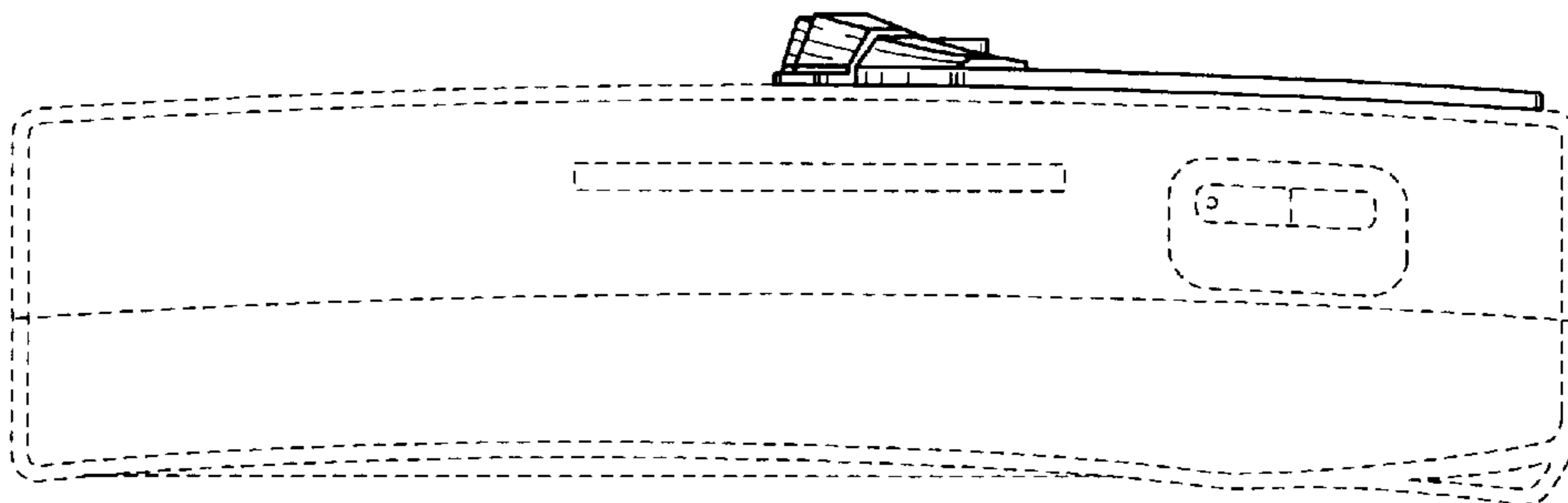


FIG. 7

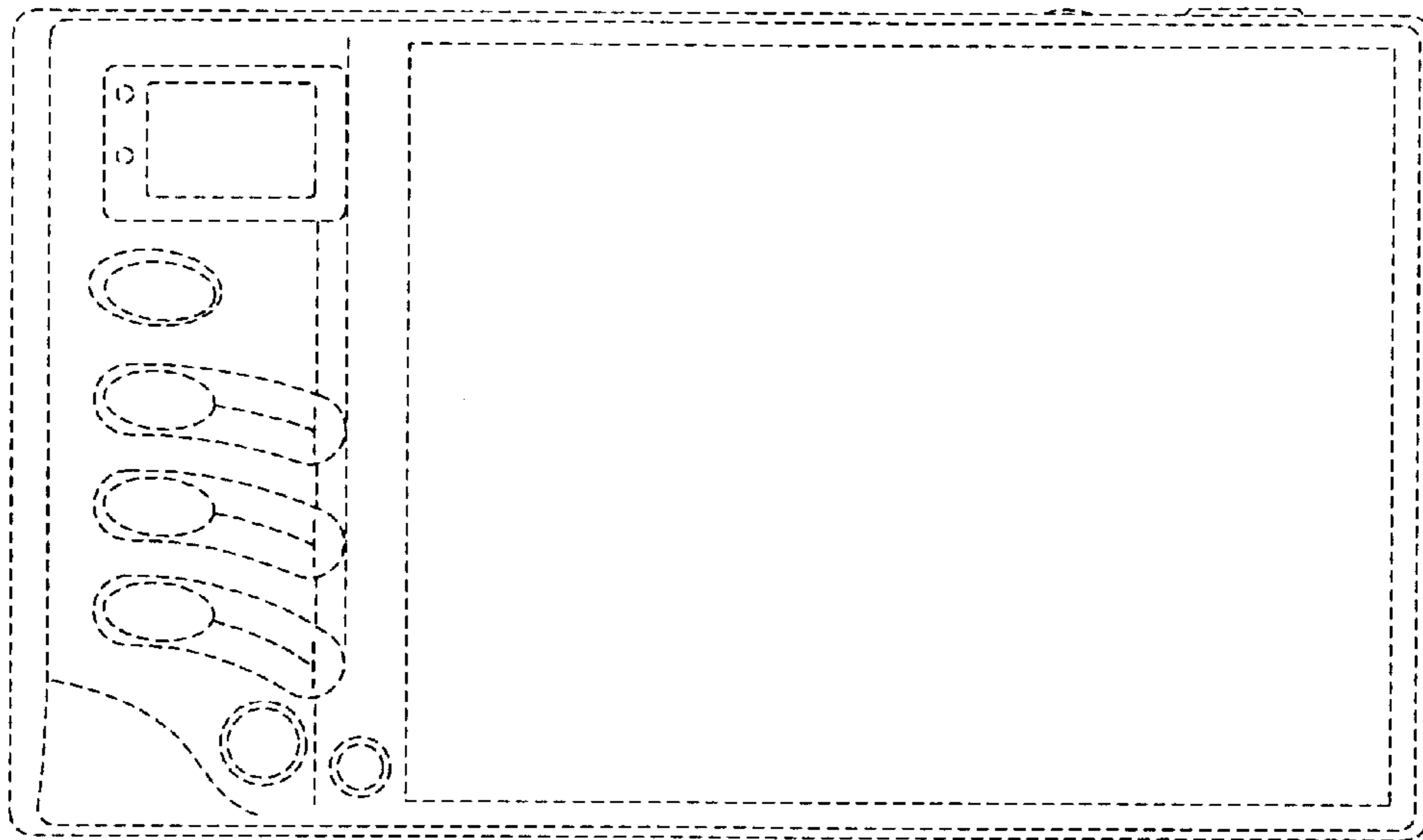


FIG. 8

