



US00D429747S

# United States Patent [19]

Tanaka

[11] Patent Number: Des. 429,747

[45] Date of Patent: \*\* Aug. 22, 2000

[54] POWER SWITCH FOR VIDEO CAMERA WITH VIDEO TAPE RECORDER

[75] Inventor: Chifuyu Tanaka, Tokyo, Japan

[73] Assignee: Canon Kabushiki Kaisha, Tokyo, Japan

[\*\*] Term: 14 Years

[21] Appl. No.: 29/107,573

[22] Filed: Jul. 9, 1999

### [30] Foreign Application Priority Data

Jan. 14, 1999 [JP] Japan ..... 11-775

[51] LOC (7) Cl. .... 16-05

[52] U.S. Cl. .... D16/219

[58] Field of Search ..... D16/200-206,  
D16/208, 209, 217, 218; 348/373-376;  
396/439, 535-541

### [56] References Cited

#### U.S. PATENT DOCUMENTS

- D. 268,267 3/1983 Alie et al. .... D16/217
- D. 316,420 4/1991 Tanaka ..... D16/202
- D. 331,935 12/1992 Tanaka ..... D16/202
- D. 337,340 7/1993 Tanaka ..... D16/202

- D. 368,922 4/1996 Tanaka ..... D16/202
- D. 377,941 2/1997 Tanaka ..... D16/202
- D. 388,106 12/1997 Tanaka ..... D16/202
- D. 407,097 3/1999 Suzuki et al. .... D16/202
- D. 412,178 7/1999 Kobayashi ..... D16/202
- D. 413,134 8/1999 Harata ..... D16/202
- D. 416,031 11/1999 Tanaka ..... D16/202

Primary Examiner—Adir Aronovich  
Attorney, Agent, or Firm—Fitzpatrick, Cella, Harper & Scinto

### [57] CLAIM

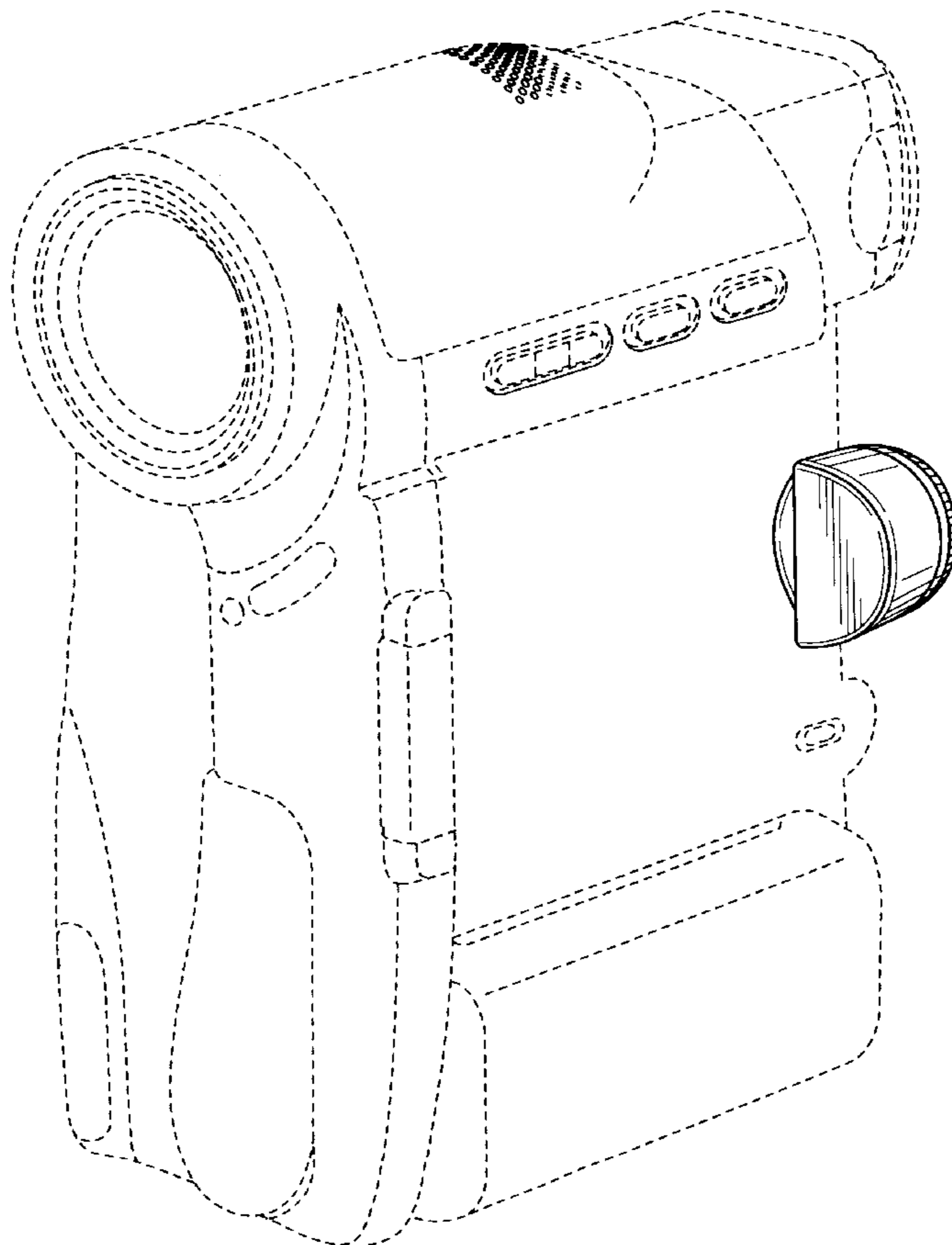
The ornamental design for a power switch for video camera with video tape recorder, as shown and described.

### DESCRIPTION

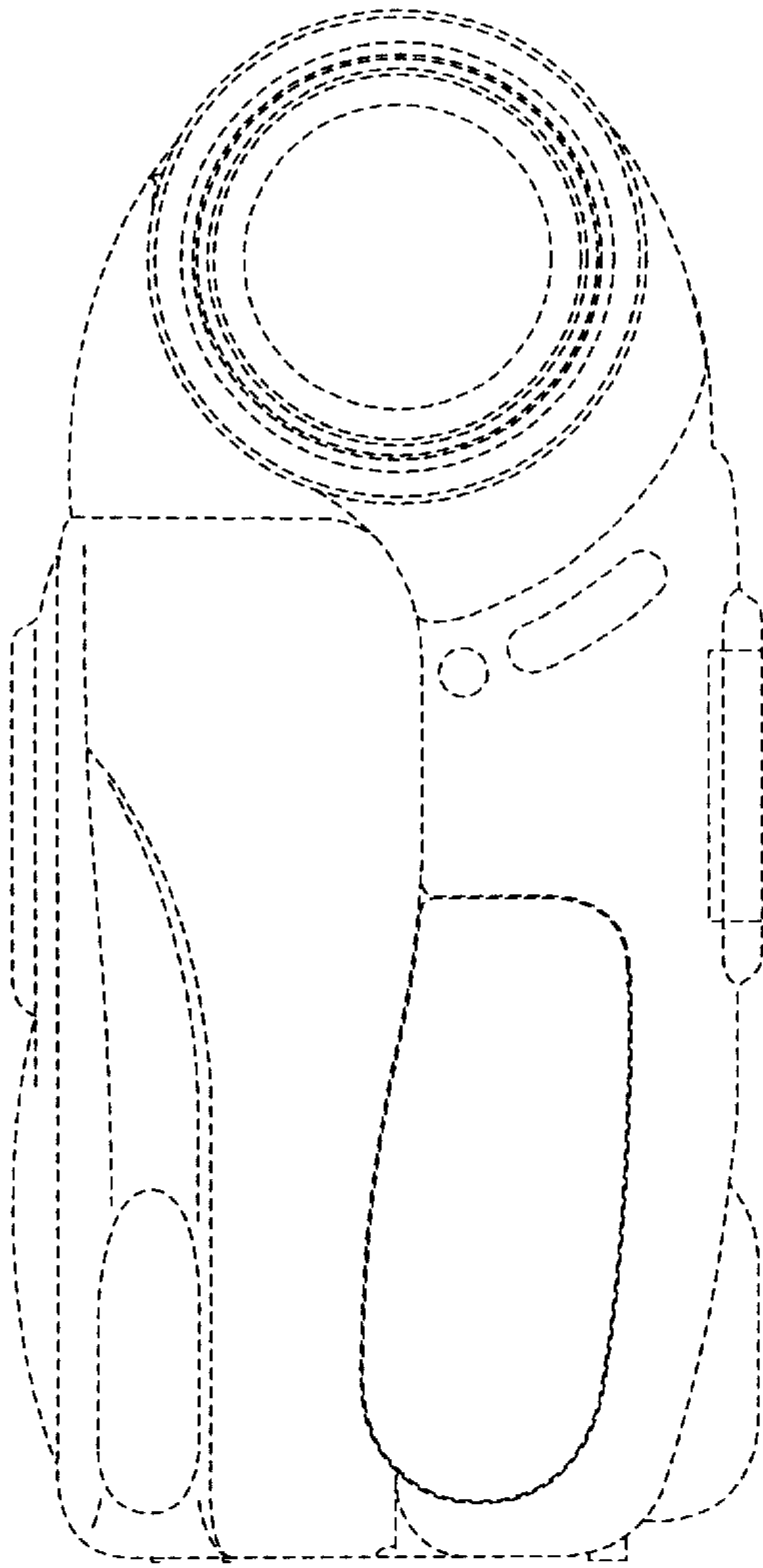
FIG. 1 is a front view of a power switch for video camera with video tape recorder showing my new design; FIG. 2 is a rear view thereof; FIG. 3 is a top plan view thereof; FIG. 4 is a bottom plan view thereof; FIG. 5 is a left side view thereof; FIG. 6 is a right side view thereof; and, FIG. 7 is a perspective view thereof as viewed from the right and front direction.

The broken line shown in all views are for illustrative purposes only and form no part of the claimed design.

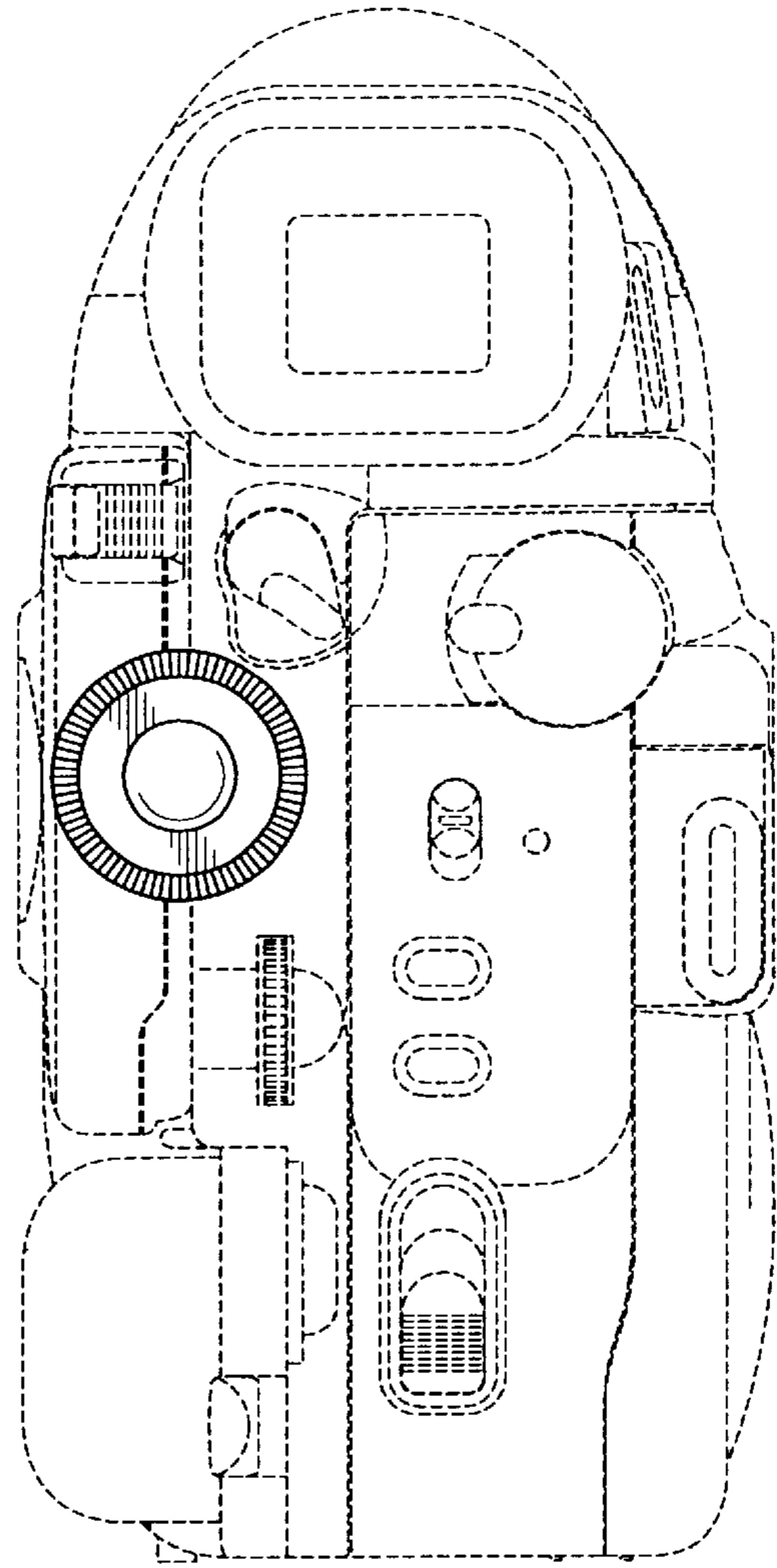
1 Claim, 5 Drawing Sheets



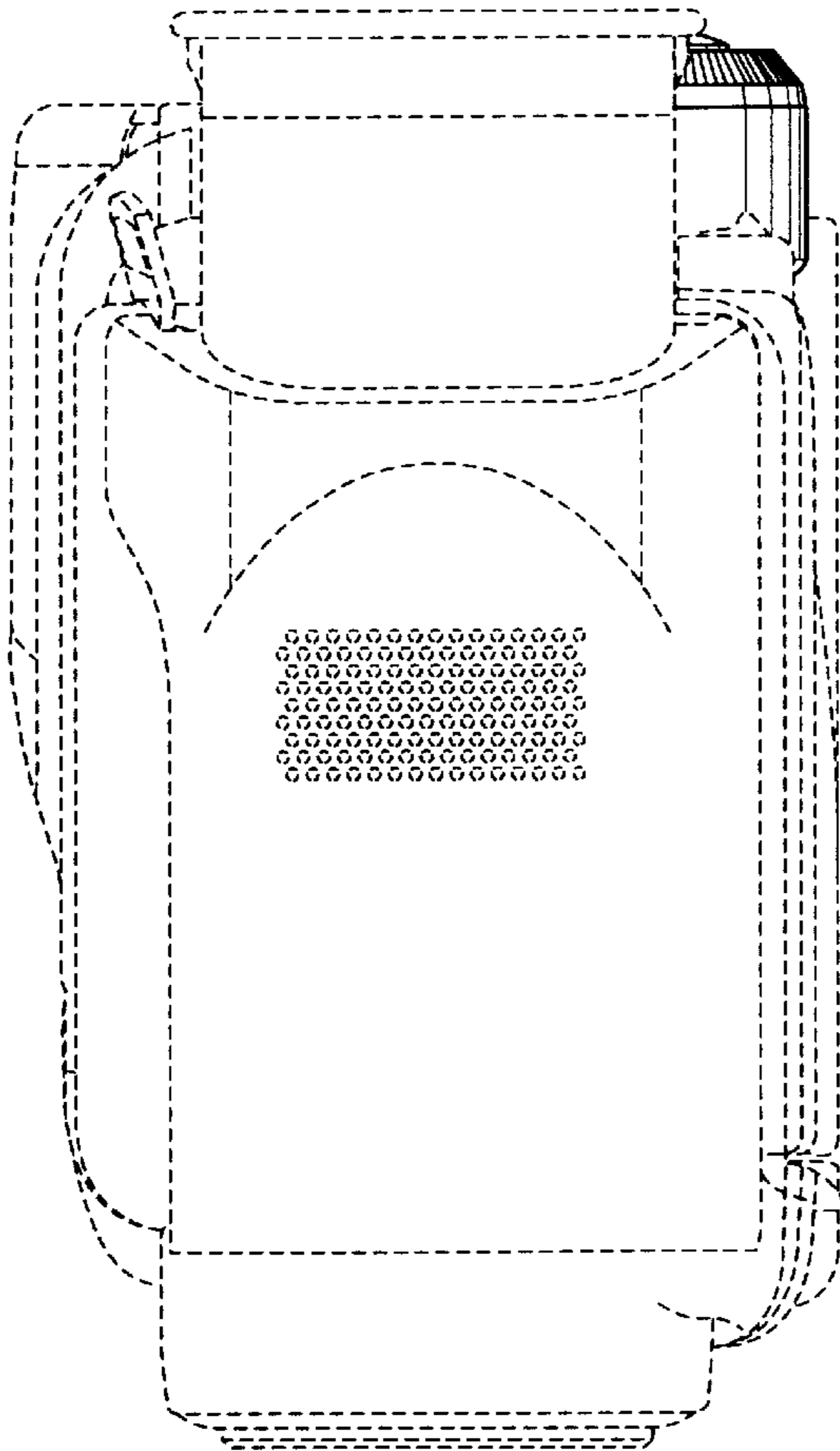
*FIG. 1*



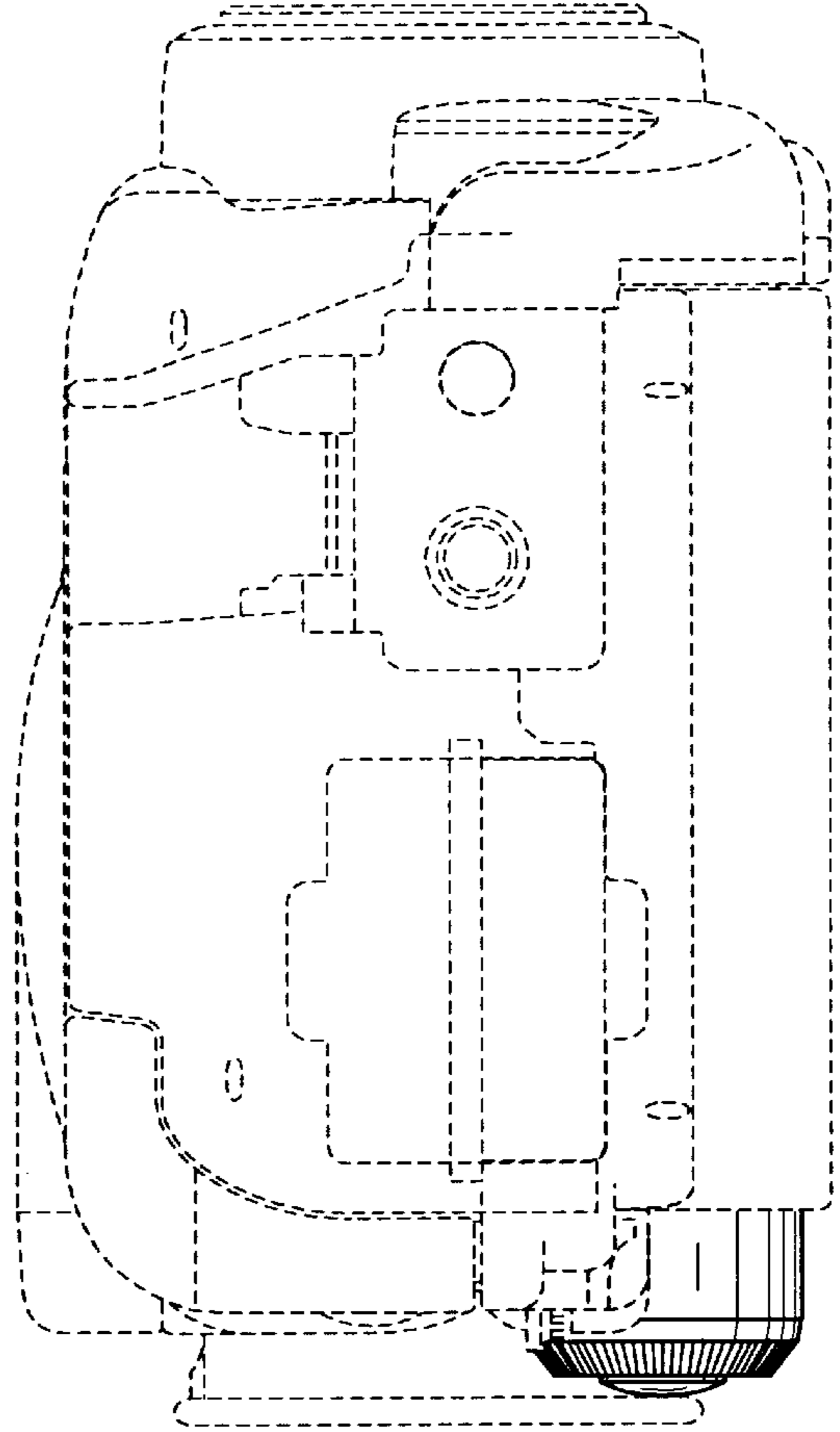
*FIG. 2*



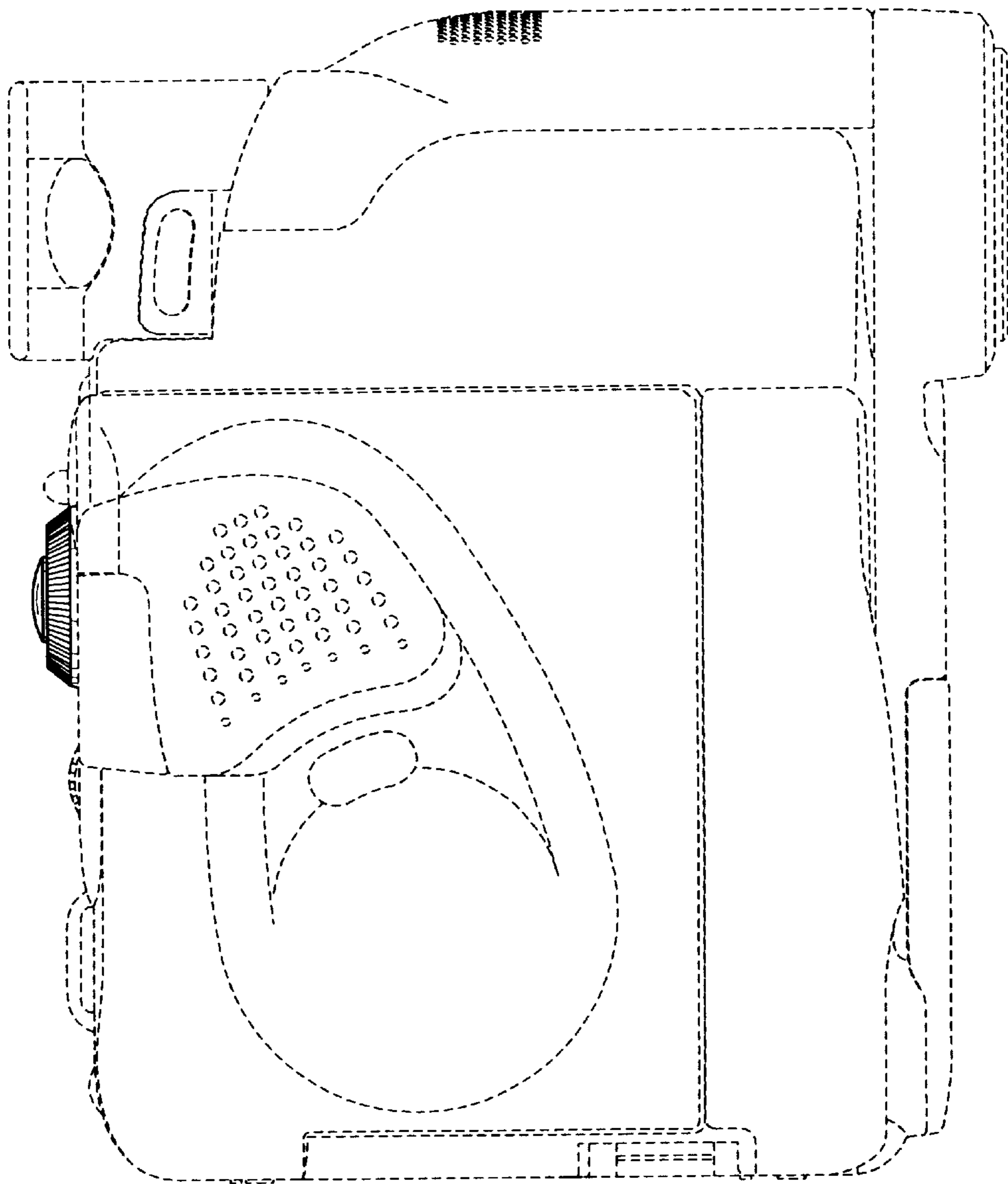
*FIG. 3*



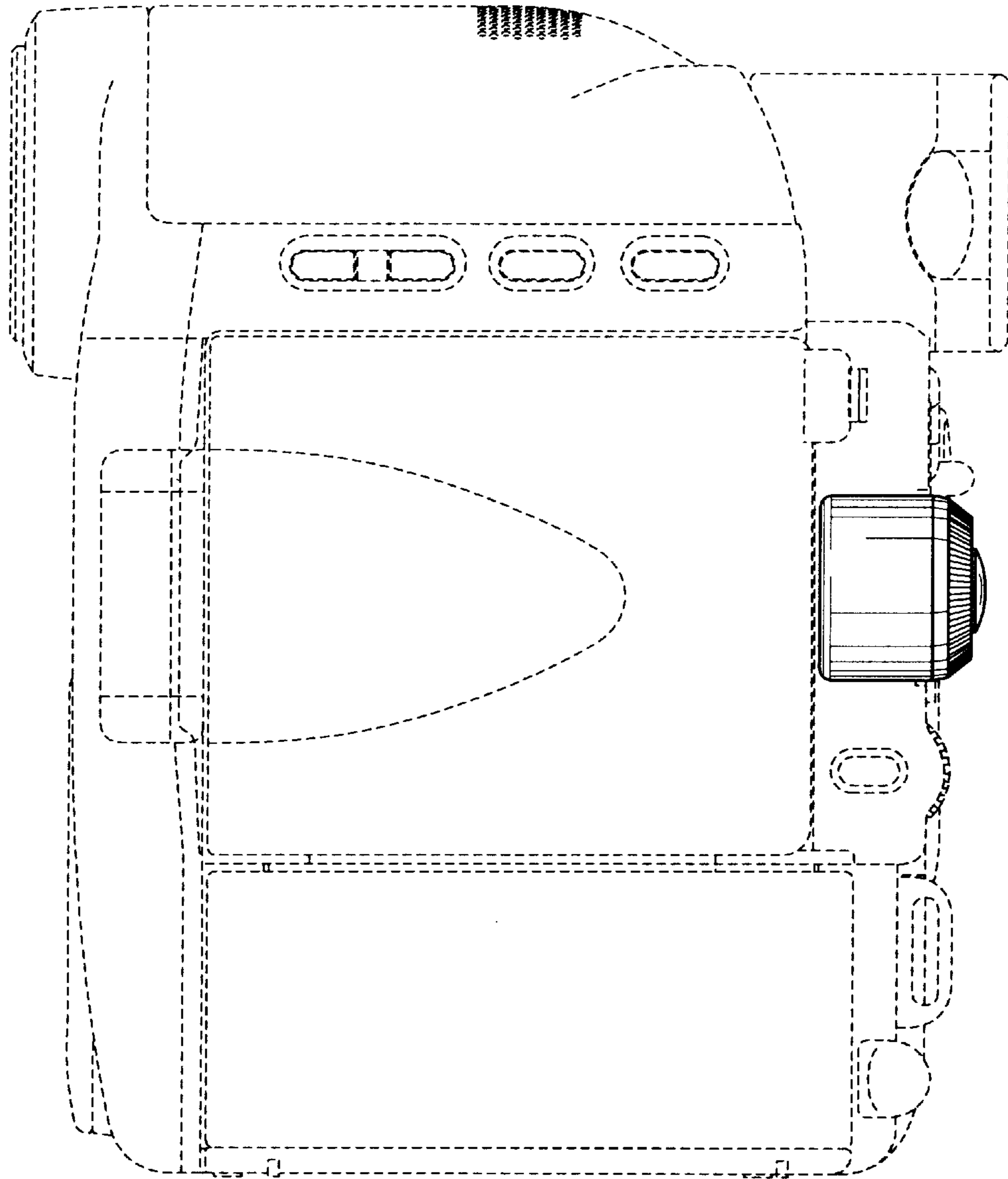
*FIG. 4*



*FIG. 5*



*FIG. 6*





*FIG. 7*

