



US00D429746S

United States Patent [19]

Tanaka

[11] Patent Number: Des. 429,746

[45] Date of Patent: ** Aug. 22, 2000

[54] POWER SWITCH FOR VIDEO CAMERA WITH VIDEO TAPE RECORDER

[75] Inventor: Chifuyu Tanaka, Tokyo, Japan

[73] Assignee: Canon Kabushiki Kaisha, Tokyo, Japan

[**] Term: 14 Years

[21] Appl. No.: 29/107,572

[22] Filed: Jul. 9, 1999

[30] Foreign Application Priority Data

Jan. 14, 1999 [JP] Japan 11-000776

[51] LOC (7) Cl. 16-05

[52] U.S. Cl. D16/219

[58] Field of Search D16/200-206,
D16/208, 209, 217, 218; 348/373-376;
396/439, 535-541

[56] References Cited

U.S. PATENT DOCUMENTS

- D. 268,267 3/1983 Alie et al. D16/217
- D. 316,420 4/1991 Tanaka D16/202
- D. 331,935 12/1992 Tanaka D16/202
- D. 337,340 7/1993 Tanaka D16/202

- D. 368,922 4/1996 Tanaka D16/202
- D. 377,941 2/1997 Tanaka D16/202
- D. 388,106 12/1997 Tanaka D16/202
- D. 407,097 3/1999 Suzuki et al. D16/202
- D. 412,178 7/1999 Kobayashi D16/202
- D. 413,134 8/1999 Harata D16/202
- D. 416,031 11/1999 Tanaka D16/202

Primary Examiner—Adir Aronovich
Attorney, Agent, or Firm—Fitzpatrick, Cella, Harper & Scinto

[57] CLAIM

The ornamental design for a power switch for video camera with video tape recorder, as shown and described.

DESCRIPTION

FIG. 1 is a front view of a power switch for video camera with video tape recorder showing my new design; FIG. 2 is a rear view thereof; FIG. 3 is a top plan view thereof; FIG. 4 is a bottom plan view thereof; FIG. 5 is a left side view thereof; FIG. 6 is a right side view thereof; and, FIG. 7 is a perspective view thereof as viewed from the right and front direction

The broken line shown in all views are for illustrative purposes only and form no part of the claimed design.

1 Claim, 5 Drawing Sheets

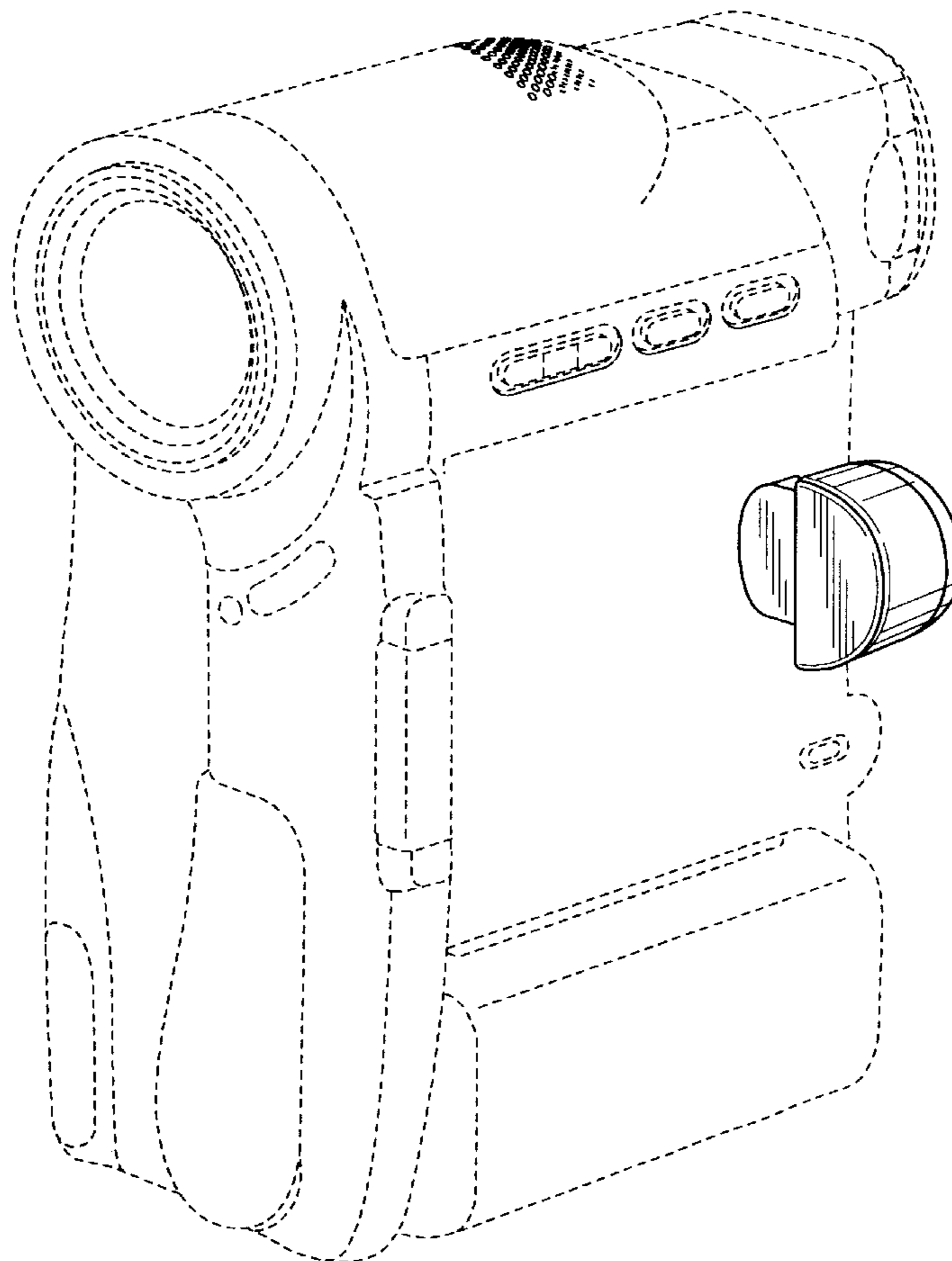


FIG. 1

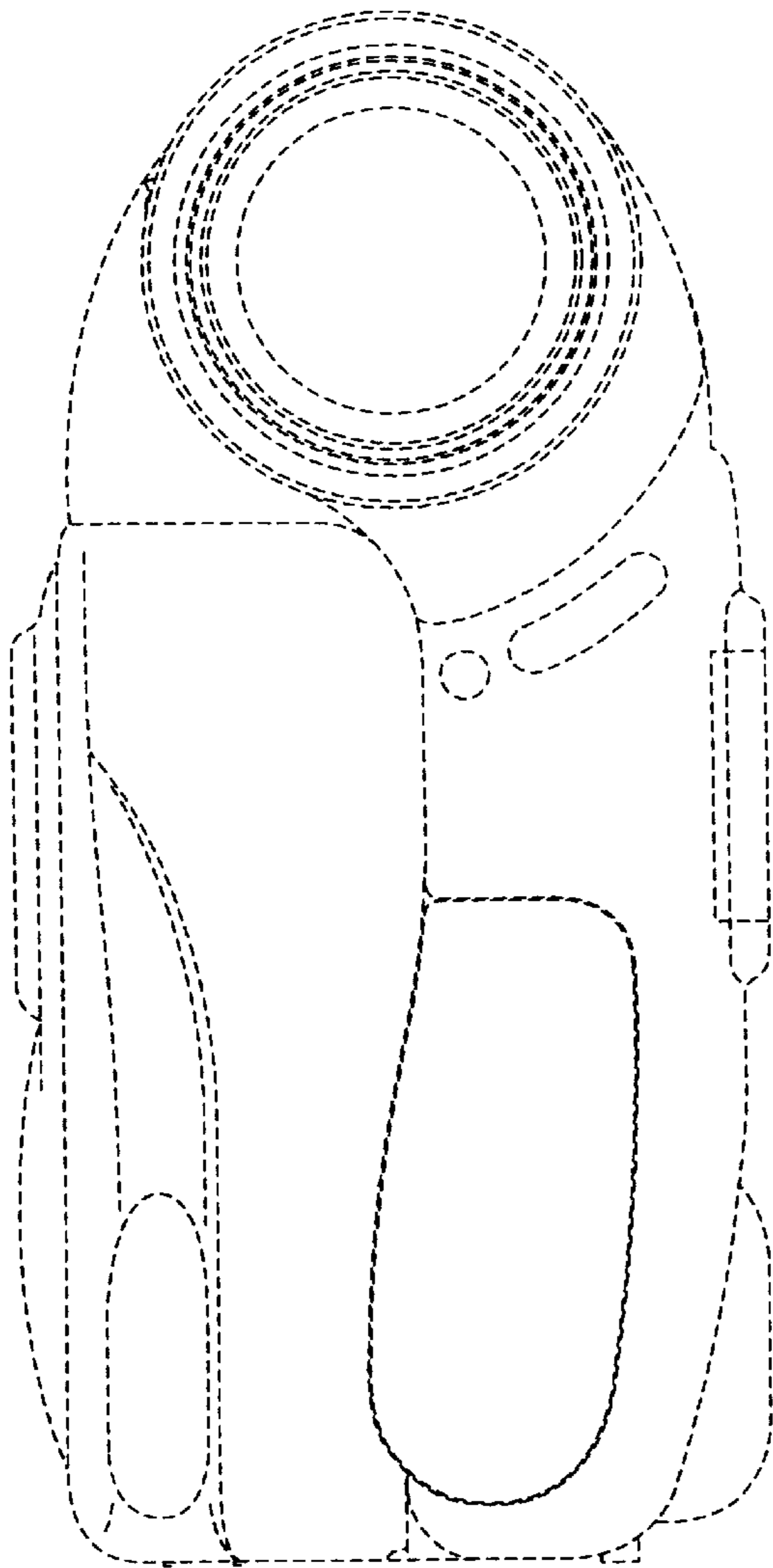


FIG. 2

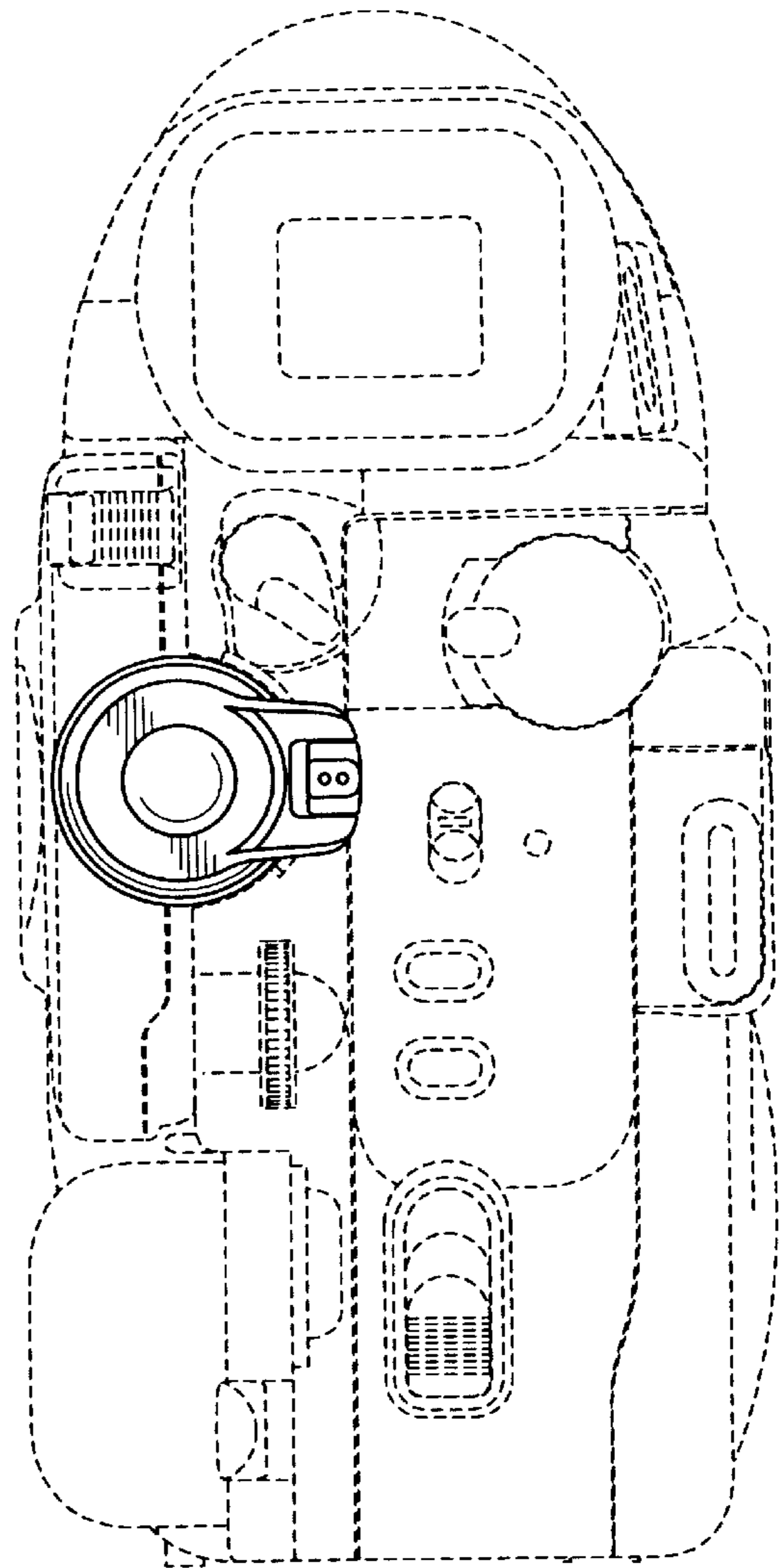


FIG. 3

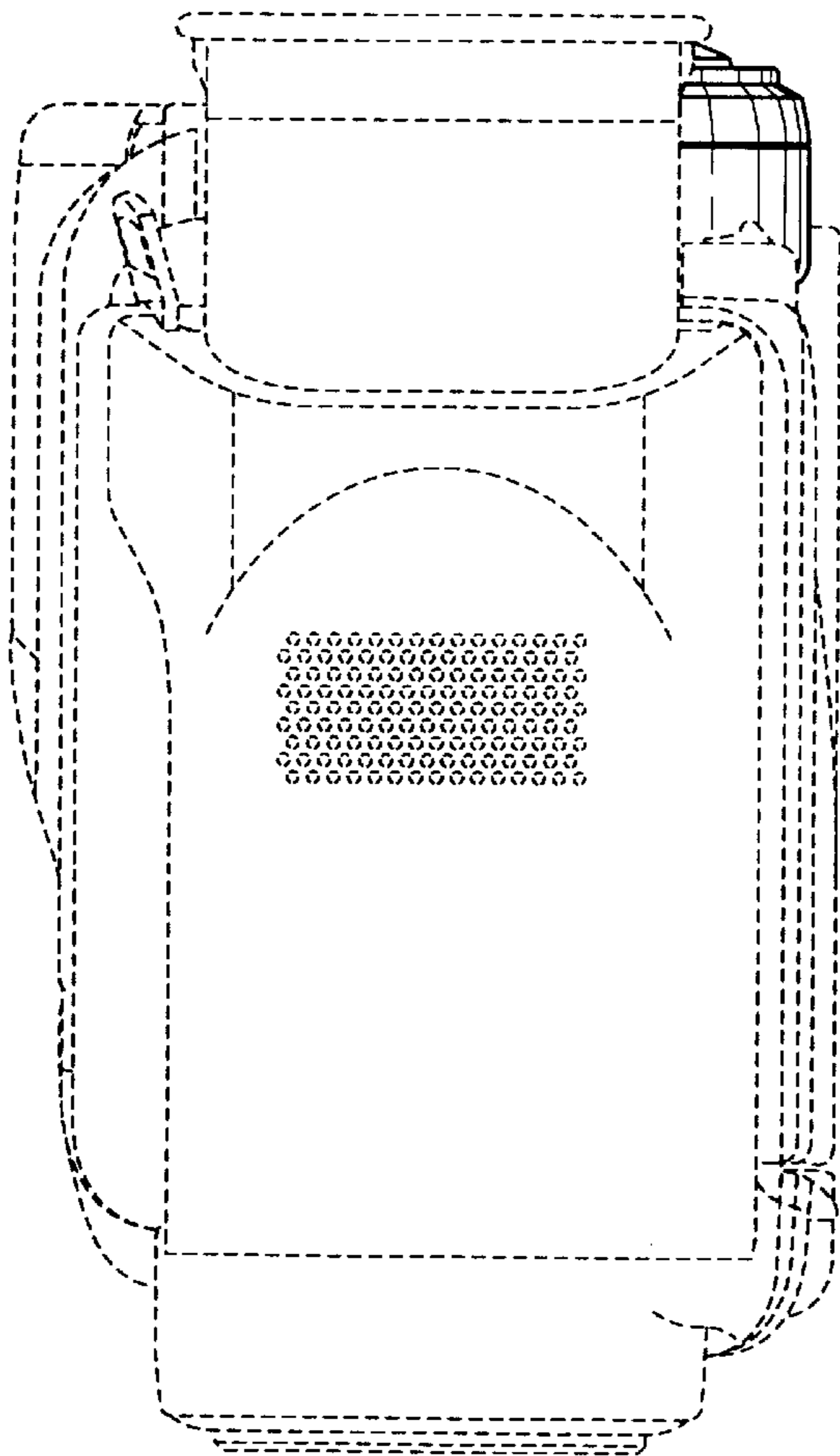


FIG. 4

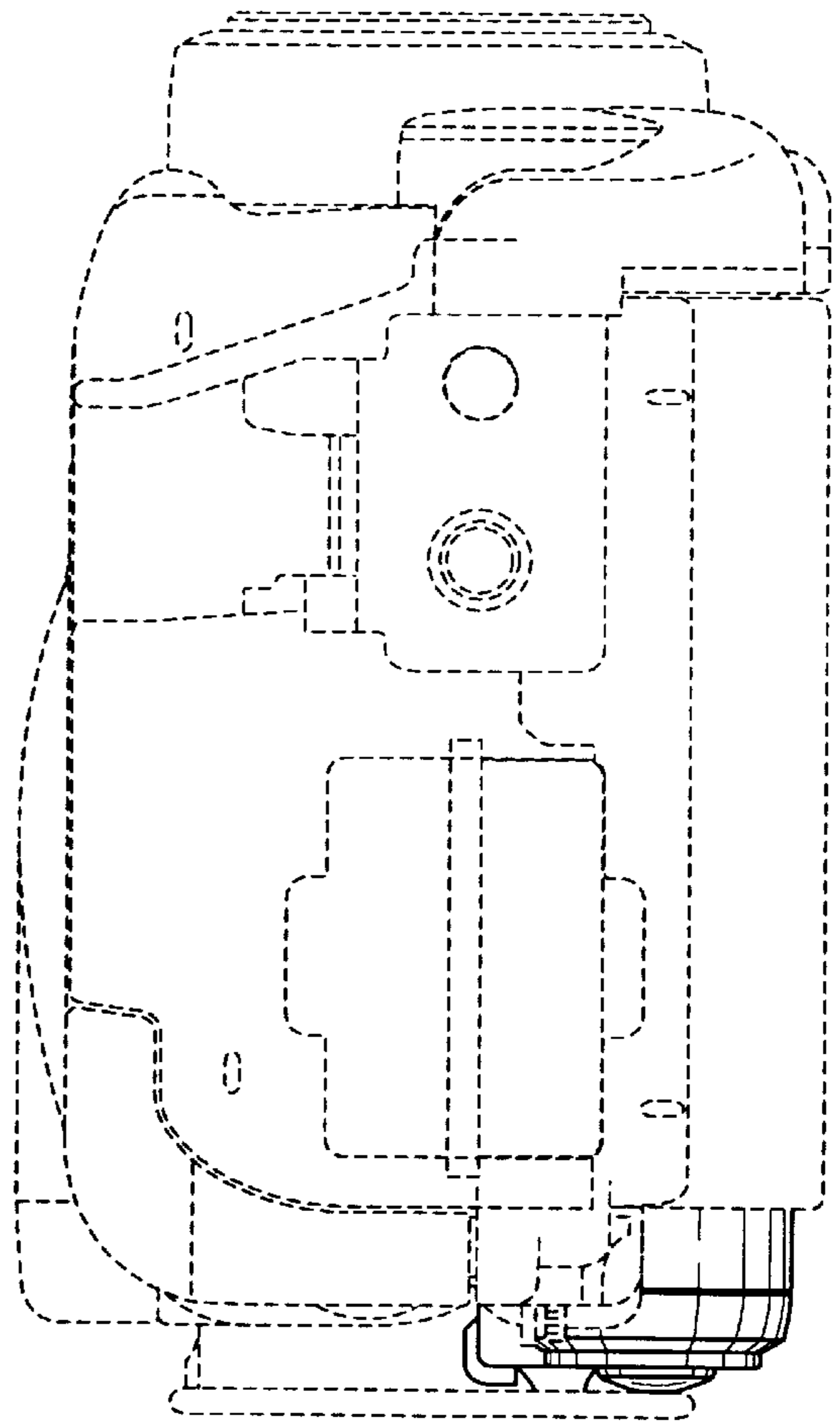


FIG. 5

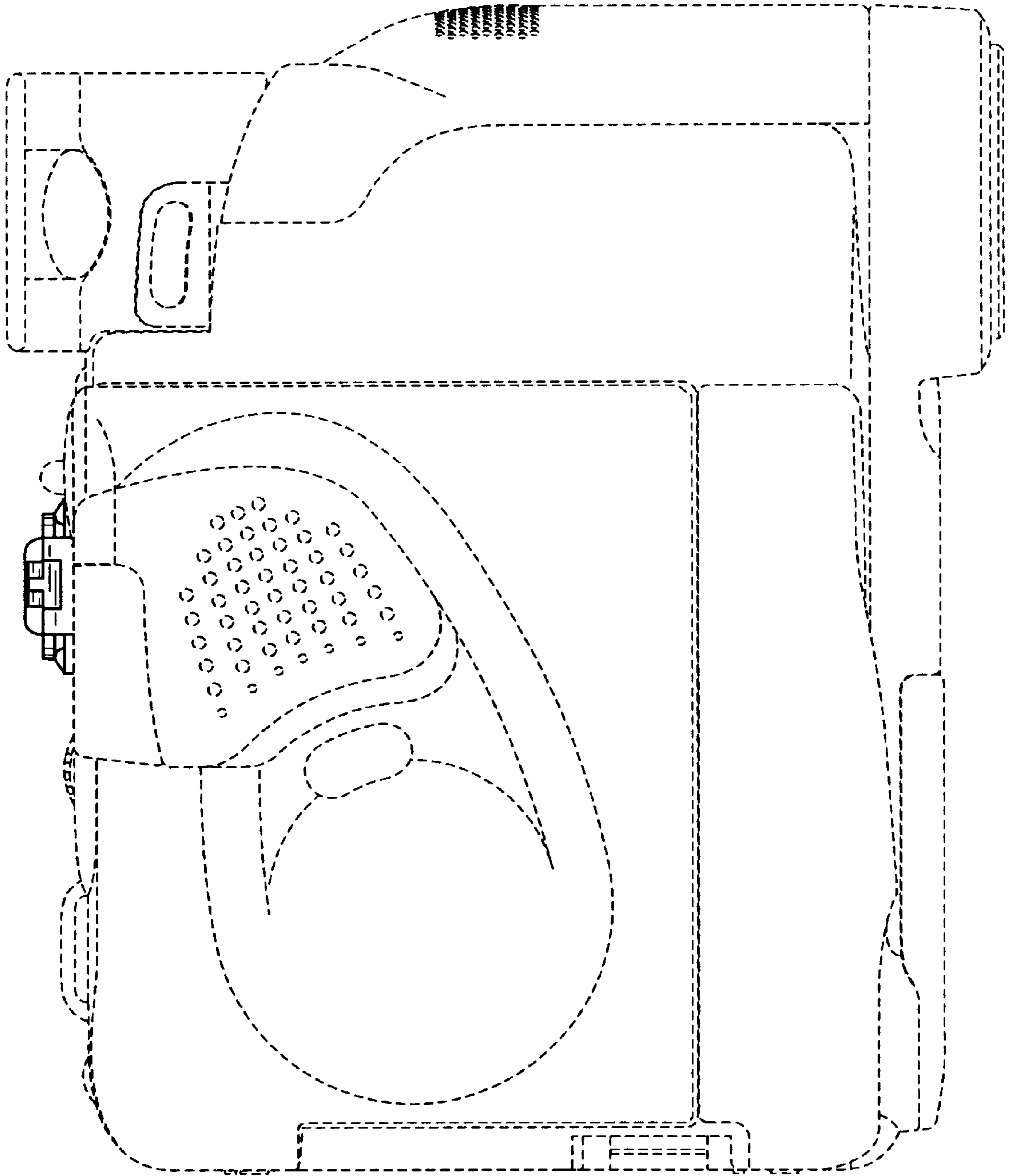


FIG. 6

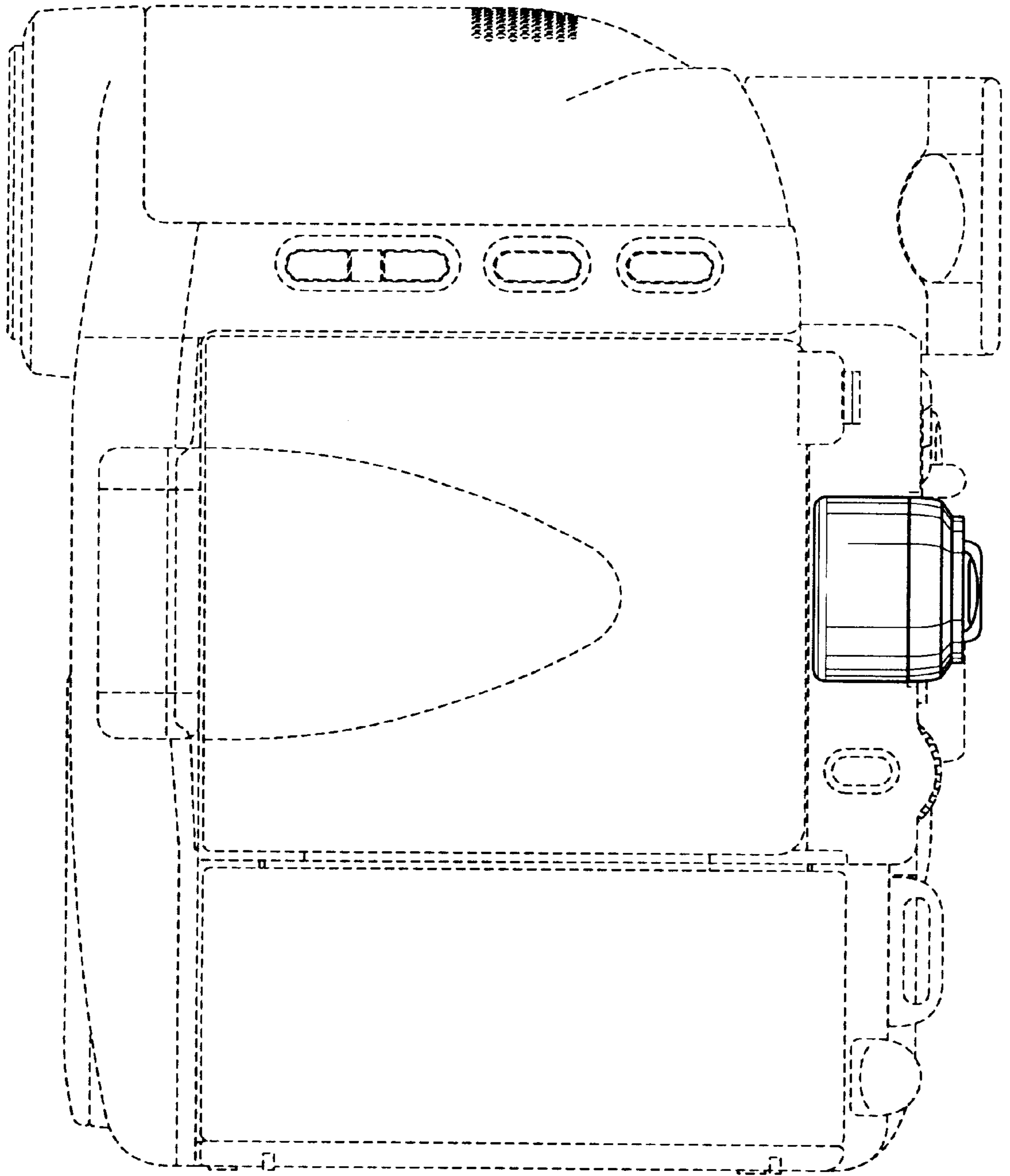
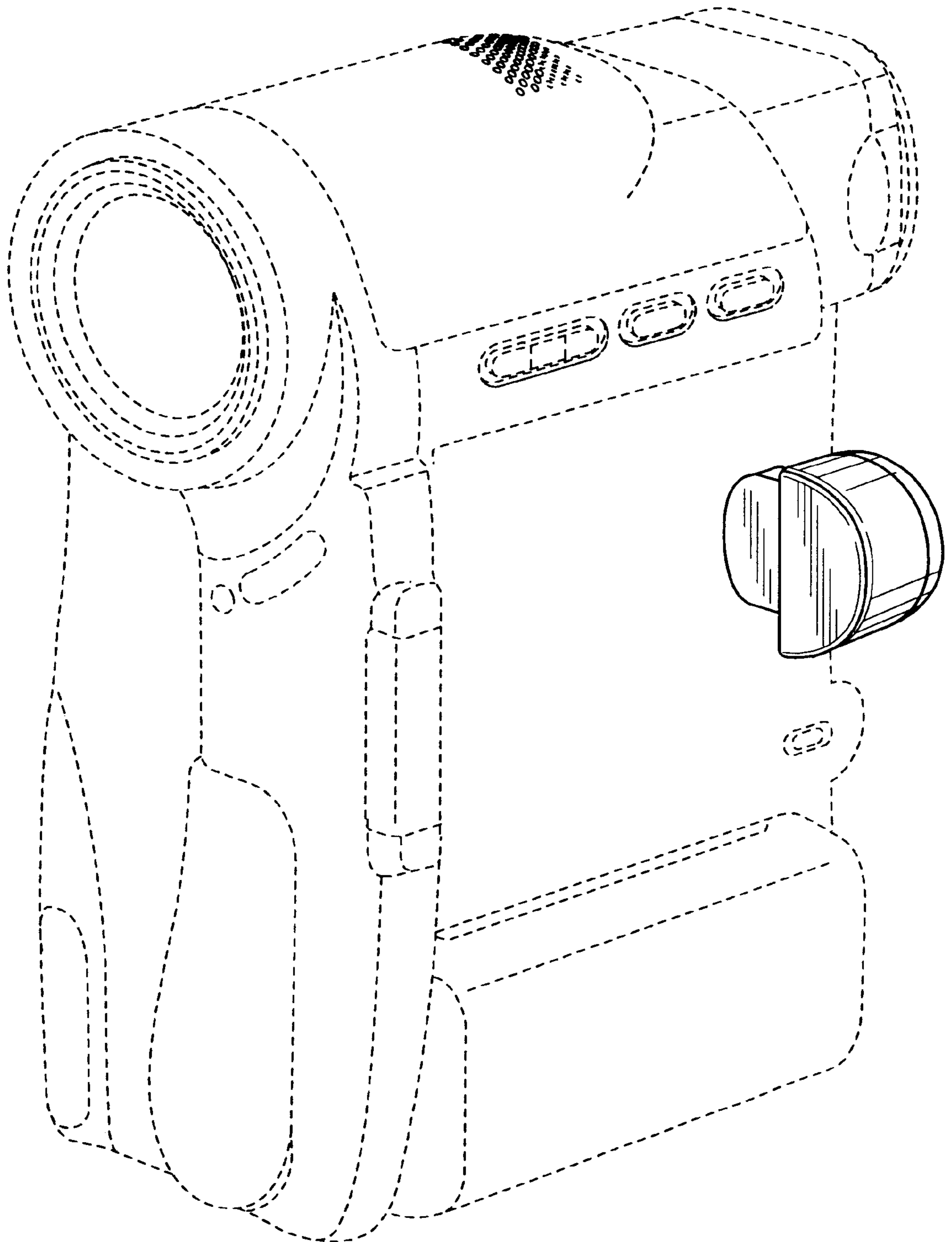


FIG. 7



UNITED STATES PATENT AND TRADEMARK OFFICE
CERTIFICATE OF CORRECTION

PATENT NO. : Des. 429,746
DATED : August 22, 2000
INVENTOR(S) : Chifuyu Tanaka

Page 1 of 1

It is certified that error appears in the above-identified patent and that said Letters Patent is hereby corrected as shown below:

[57] DESCRIPTION

Line 7, "thereof; and ," should read -- thereof; and --.

Line 8, "Fig. 7 s" should read -- Fig 7. is --.

Line 9, "direction" should read -- direction. --.

Signed and Sealed this

Eighteenth Day of September, 2001

Attest:

Nicholas P. Godici

Attesting Officer

NICHOLAS P. GODICI
Acting Director of the United States Patent and Trademark Office