



US00D429743S

United States Patent [19] Renkis

[11] **Patent Number: Des. 429,743**

[45] **Date of Patent: ** Aug. 22, 2000**

[54] **WIRELESS CAMERA**

[75] Inventor: **Martin A. Renkis**, Pittsboro, N.C.

[73] Assignee: **Security Data Networks, Inc.**, Cary, N.C.

[**] Term: **14 Years**

[21] Appl. No.: **29/098,743**

[22] Filed: **Jan. 5, 1999**

[51] **LOC (7) Cl.** **16-01**

[52] **U.S. Cl.** **D16/203; D16/202**

[58] **Field of Search** D14/125; D16/200-206,
D16/208; 348/373-376, 143; 358/906, 909.1;
396/176, 433, 535-543, 427, 428

[56] **References Cited**

U.S. PATENT DOCUMENTS

D. 160,300 10/1950 Chapman D16/200
D. 296,551 7/1988 Mizogui D16/202

D. 354,300 1/1995 Ina et al. D16/202
D. 389,500 1/1998 Kregelberg D16/202
D. 398,919 9/1998 Yen D14/125
3,001,461 9/1961 Irwin 396/176

Primary Examiner—Adir Aronovich
Attorney, Agent, or Firm—Myers Bigel Sibley & Sajover

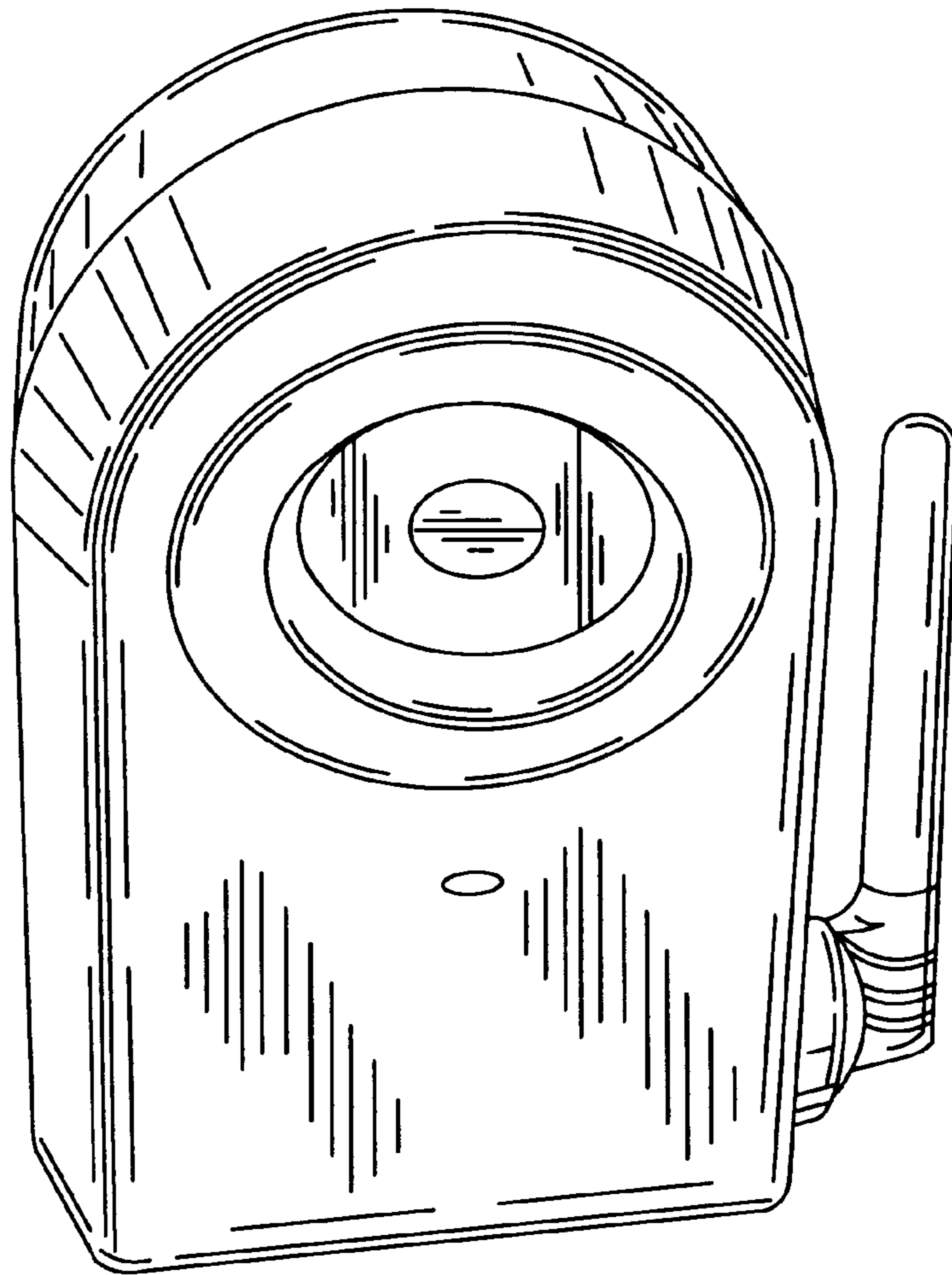
[57] **CLAIM**

The ornamental design for a wireless camera, as shown and described.

DESCRIPTION

FIG. 1 is a perspective view of the wireless camera showing my design;
FIG. 2 is a front view thereof;
FIG. 3 is a side view thereof;
FIG. 4 is a rear view thereof;
FIG. 5 is an opposite side view thereof;
FIG. 6 is a bottom view thereof; and,
FIG. 7 is a top view thereof.

1 Claim, 3 Drawing Sheets



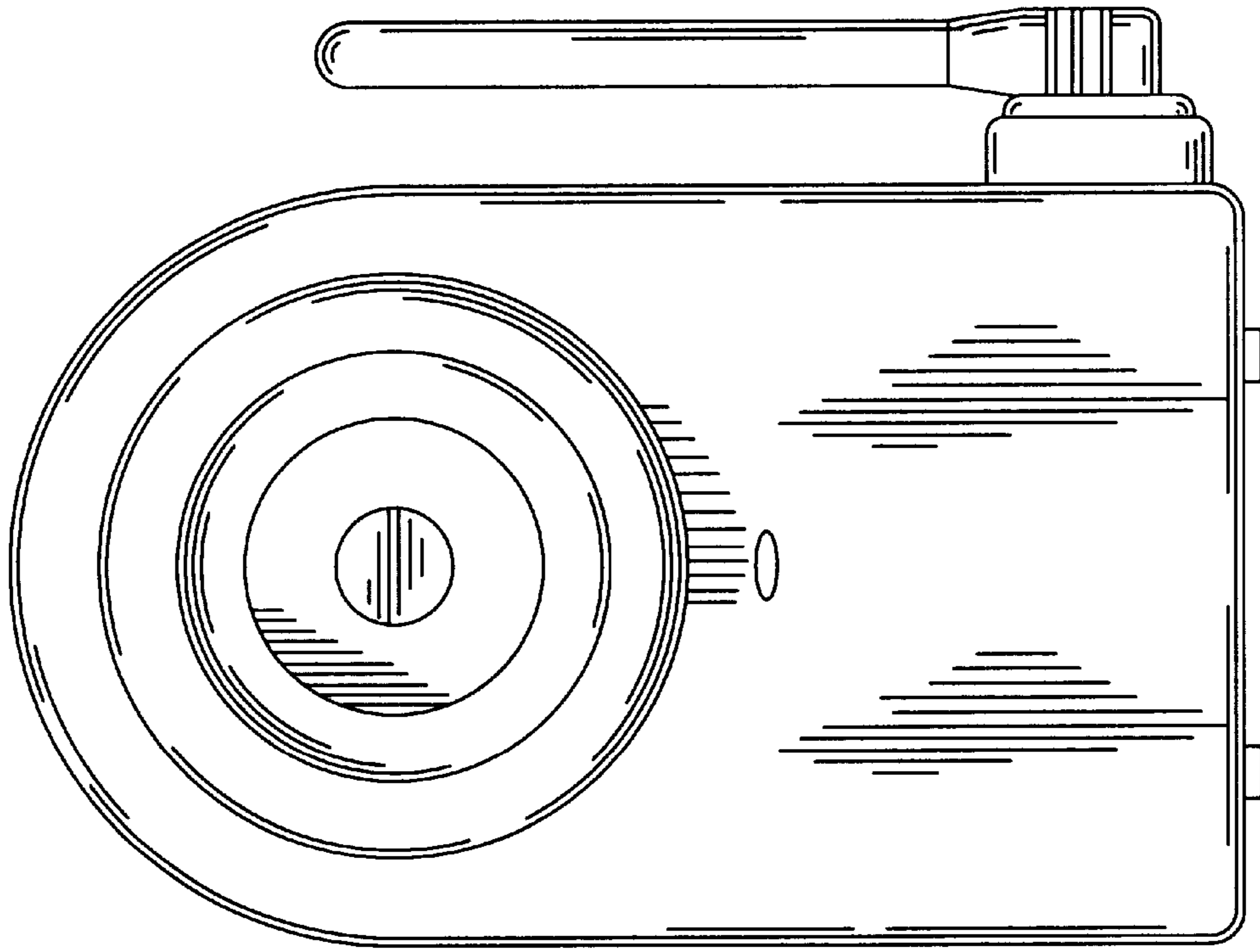


FIG. 2.

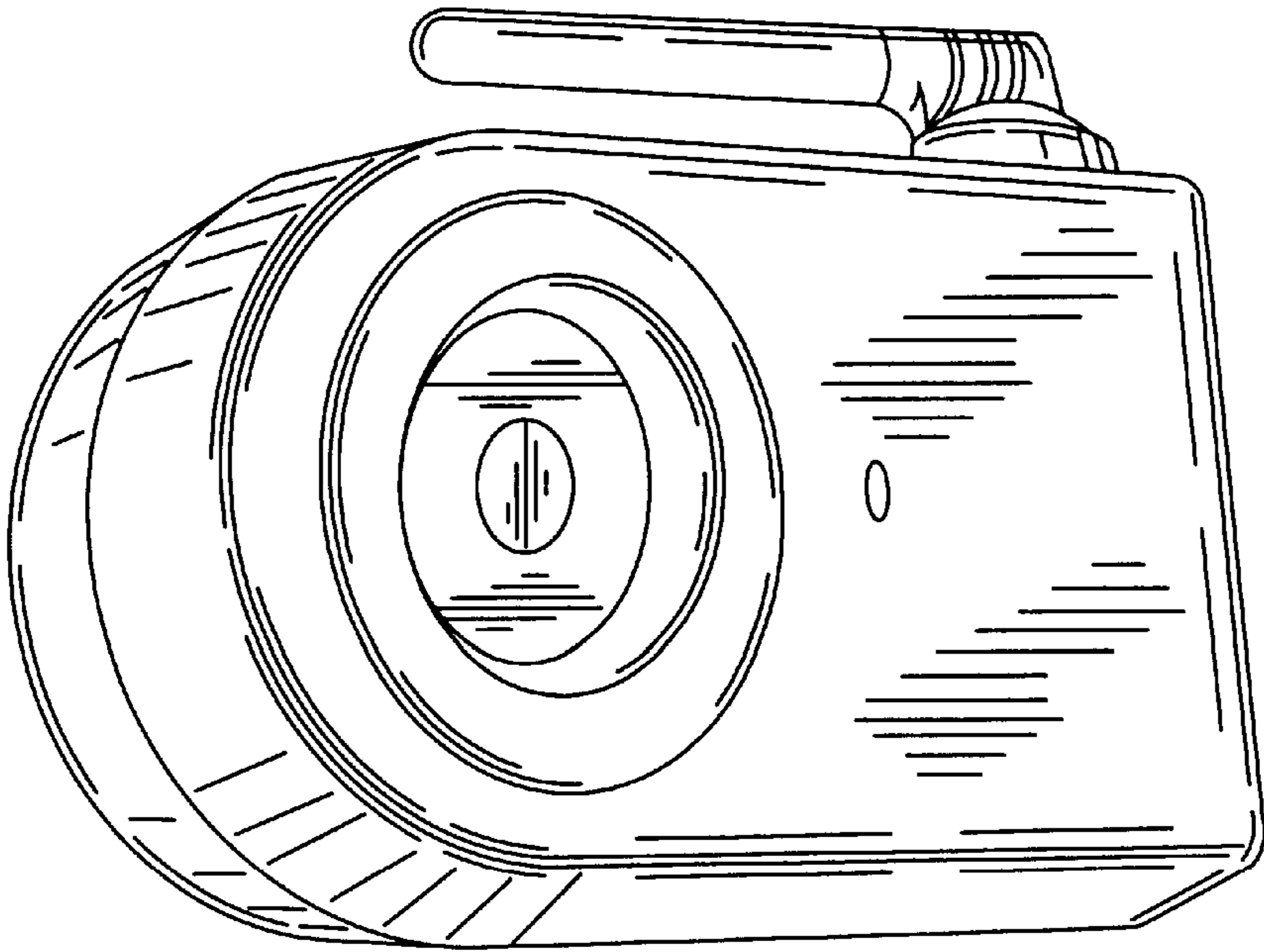


FIG. 1.

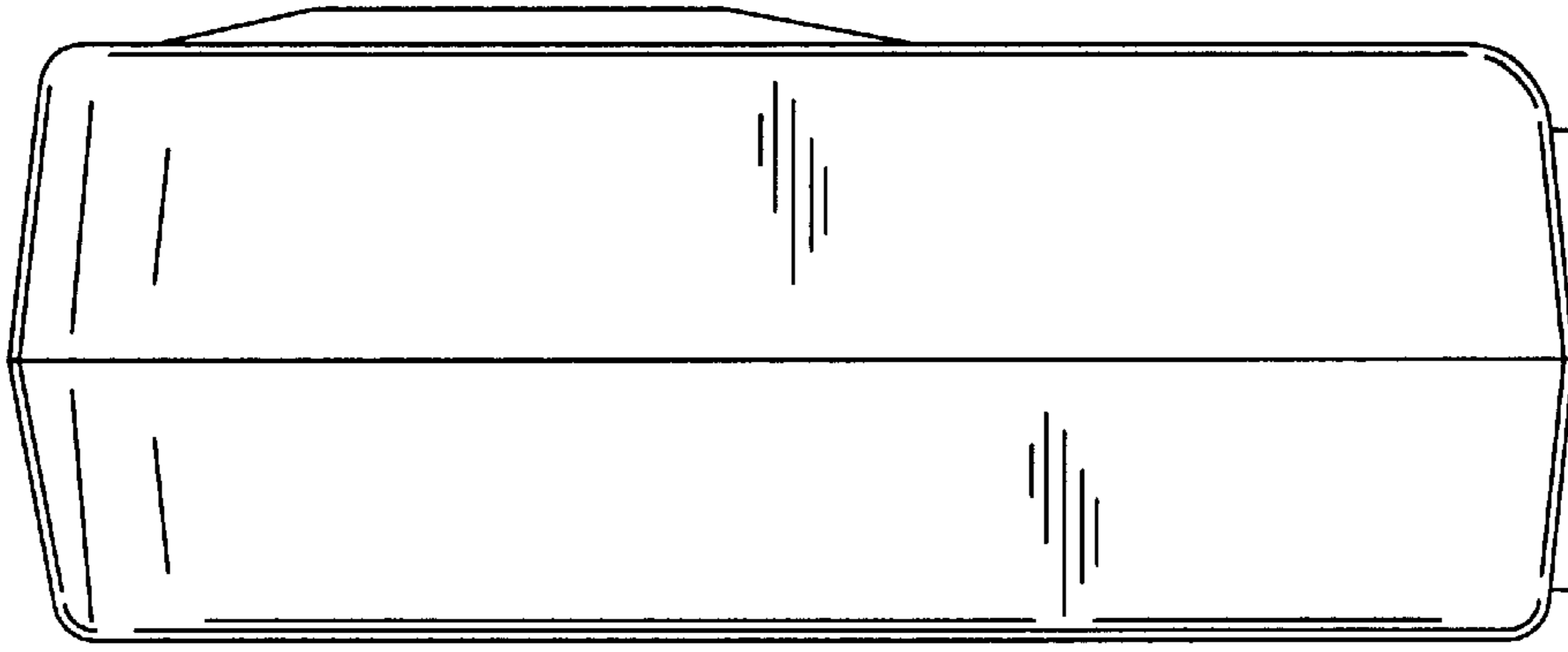


FIG. 5.

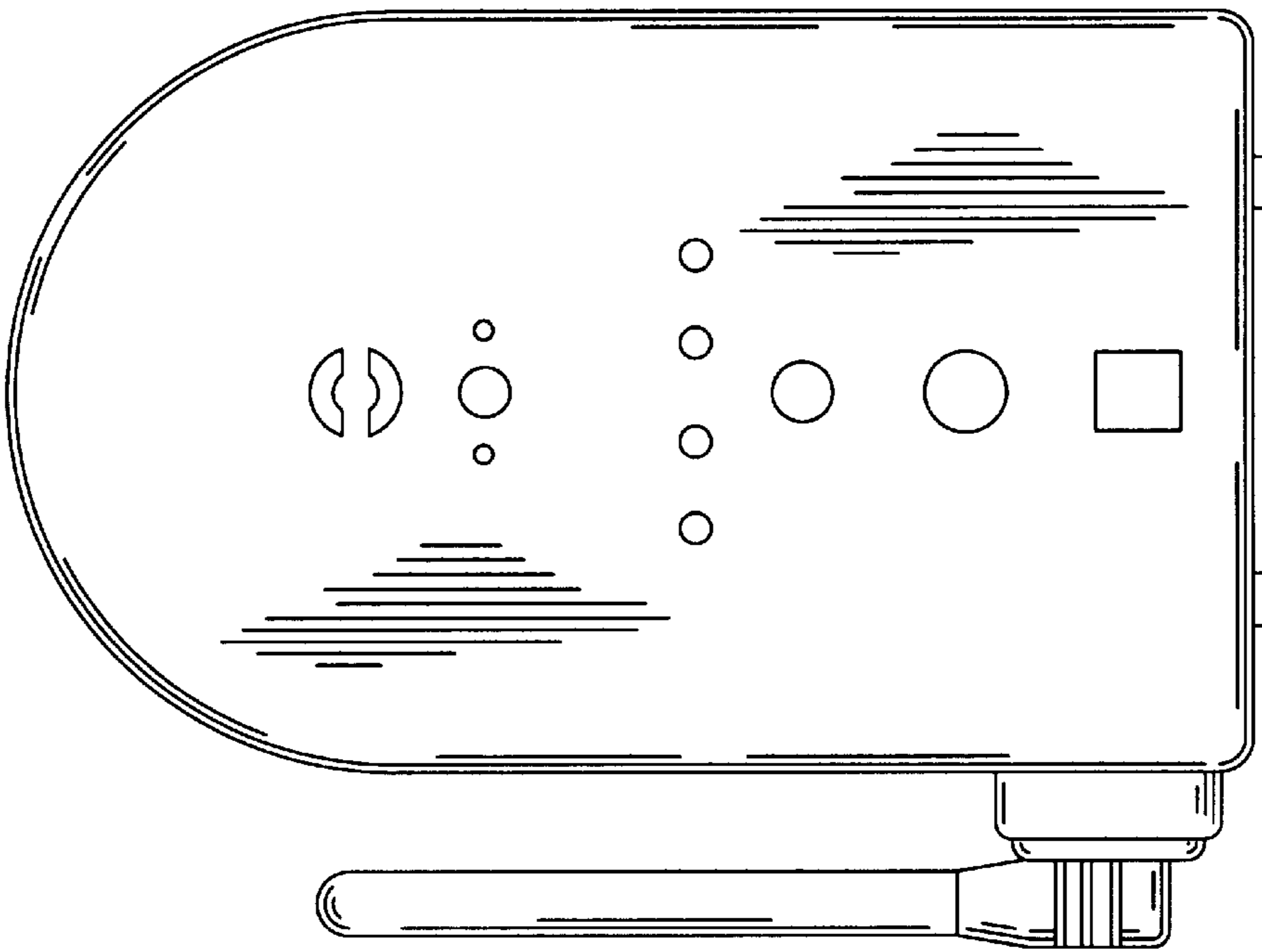


FIG. 4.

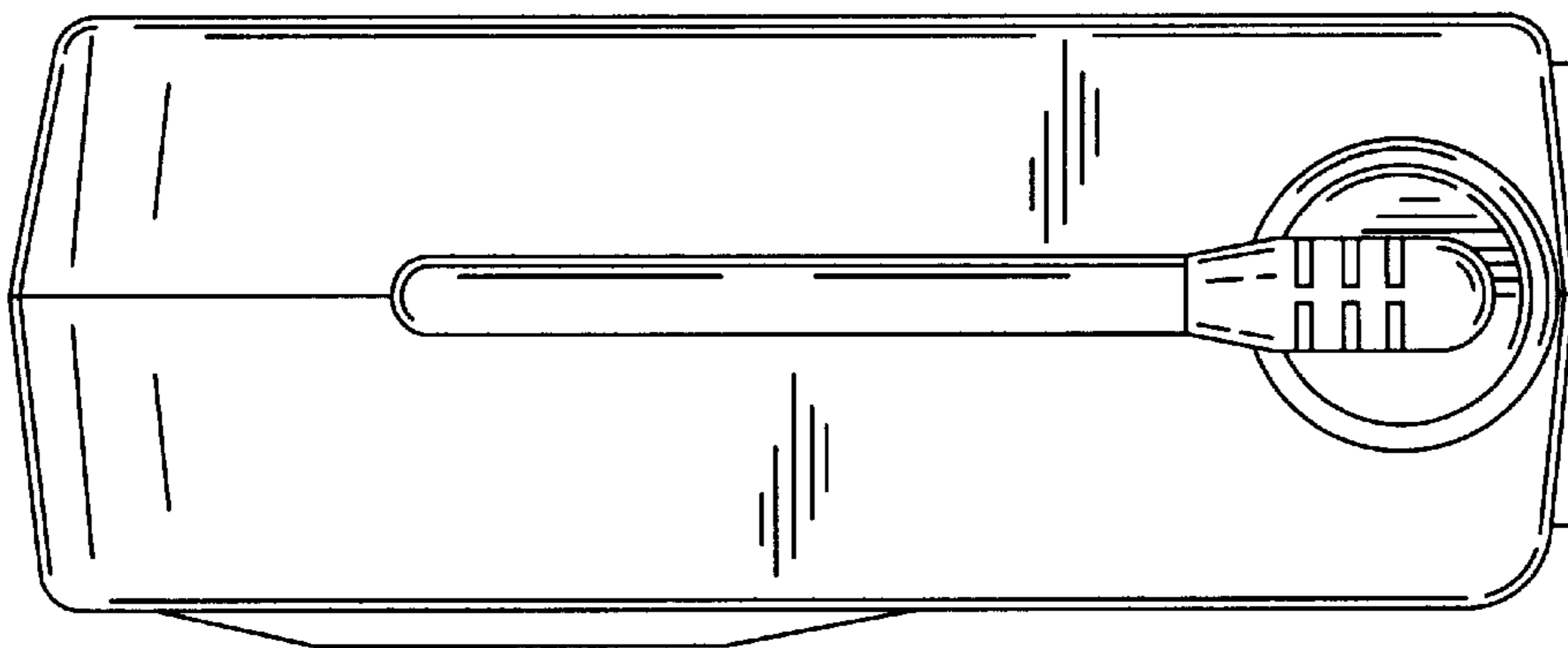


FIG. 3.

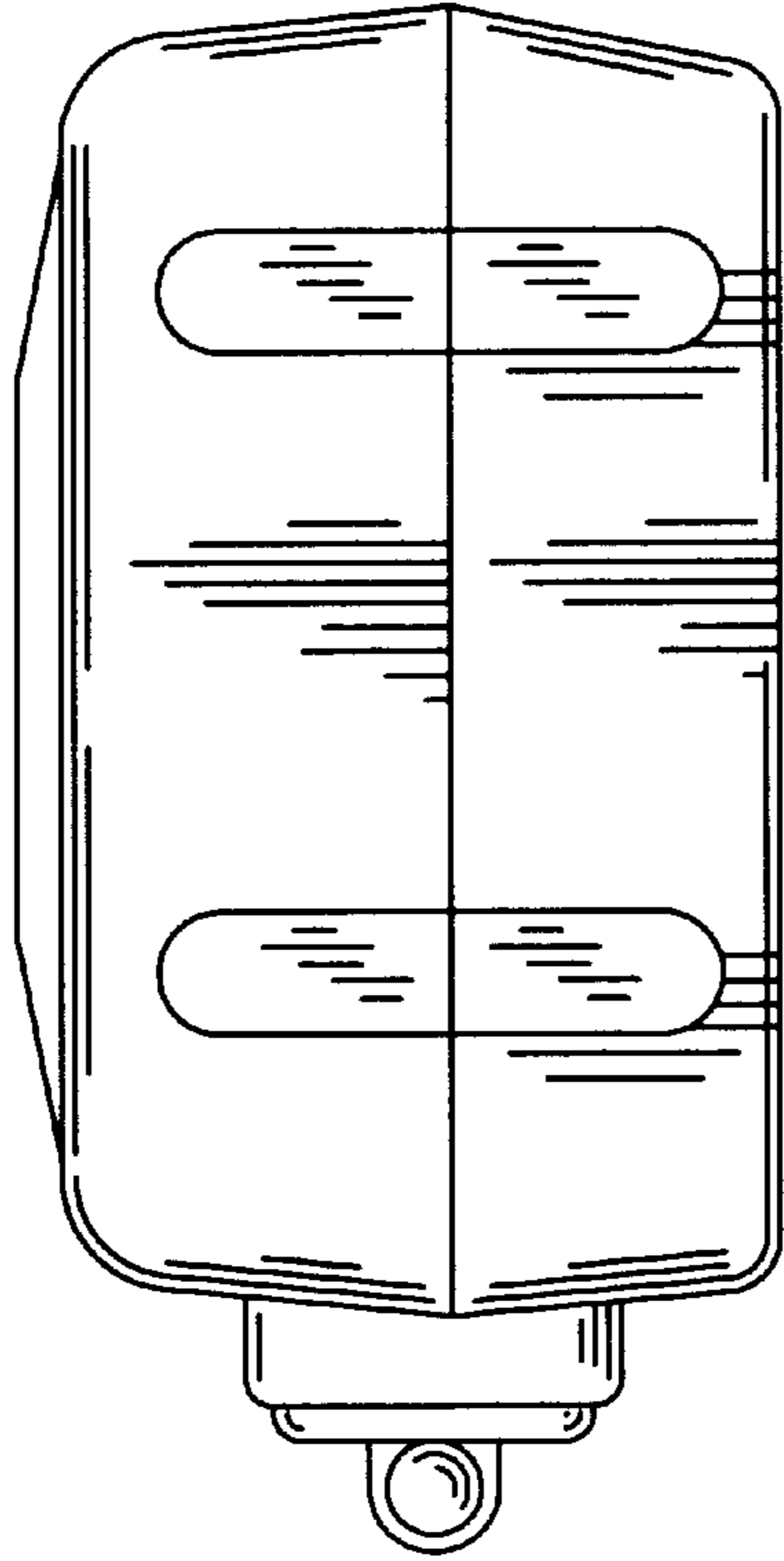


FIG. 7.

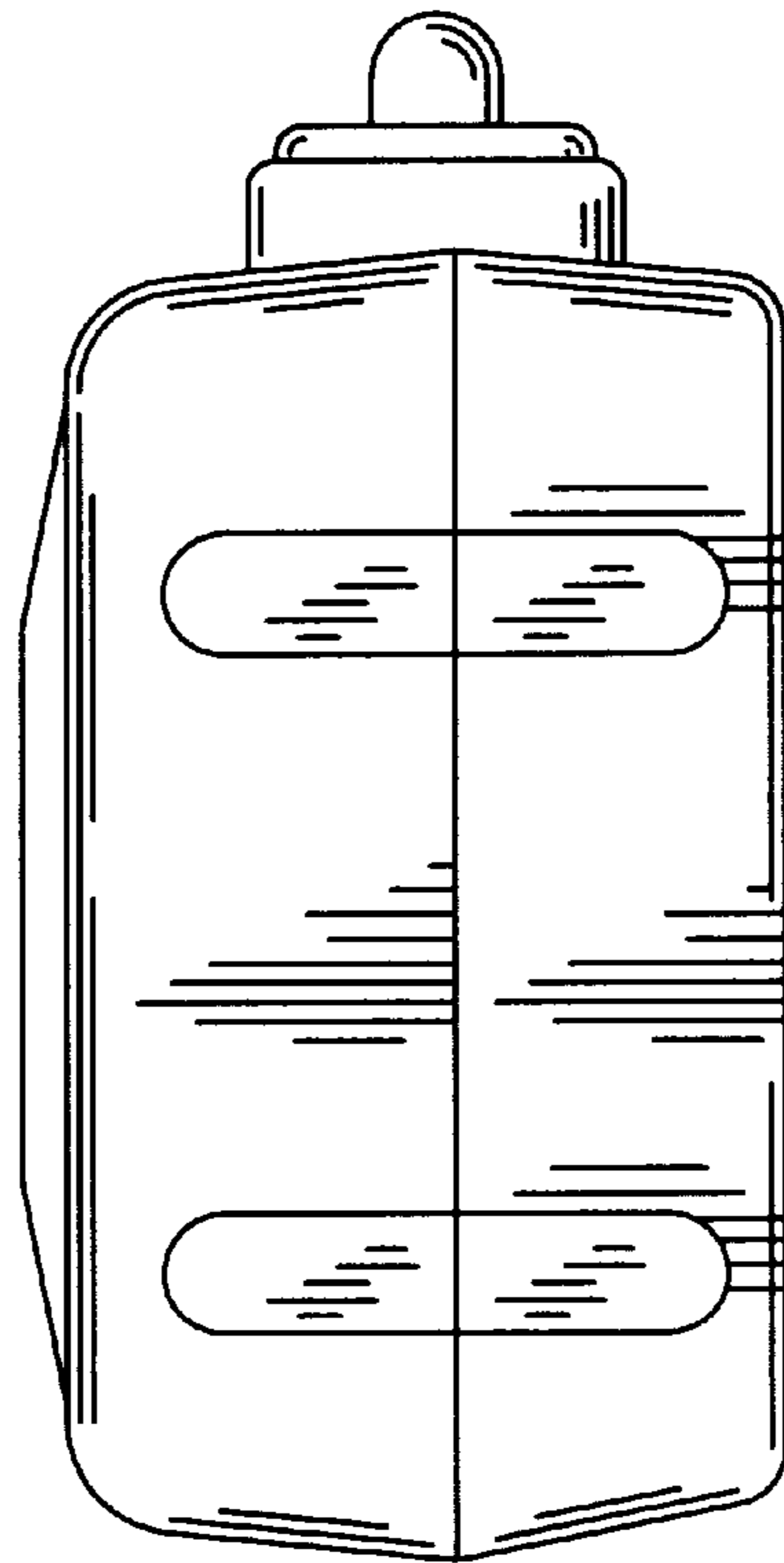


FIG. 6.