



US00D429737S

United States Patent [19]

Kuan et al.

[11] Patent Number: **Des. 429,737**

[45] Date of Patent: **** Aug. 22, 2000**

[54] **PRESSURE PUMP**

[75] Inventors: **Min-Yuan Kuan**, Chia-I Hsien;
Kun-Shan Hsu, Chia-I, both of Taiwan

[73] Assignee: **Tai E International Patent and Law Office**, Taipei, Taiwan

[**] Term: **14 Years**

[21] Appl. No.: **29/106,206**

[22] Filed: **Jun. 9, 1999**

[51] **LOC (7) Cl.** **15-02**

[52] **U.S. Cl.** **D15/7**

[58] **Field of Search** D15/7-9; 417/416,
417/413.1, 423.4, 410.1, 254, 252, 351,
375, 415, 231

[56] **References Cited**

U.S. PATENT DOCUMENTS

D. 239,210 3/1976 Marlow D15/7

D. 331,239 11/1992 Iwai D15/3
D. 372,034 7/1996 Handzel et al. D15/7
D. 373,365 9/1996 Schoenmeyr D15/7

Primary Examiner—Ralf Seifert
Attorney, Agent, or Firm—Gardere & Wynne, LLP; Sanford E. Warren, Jr.

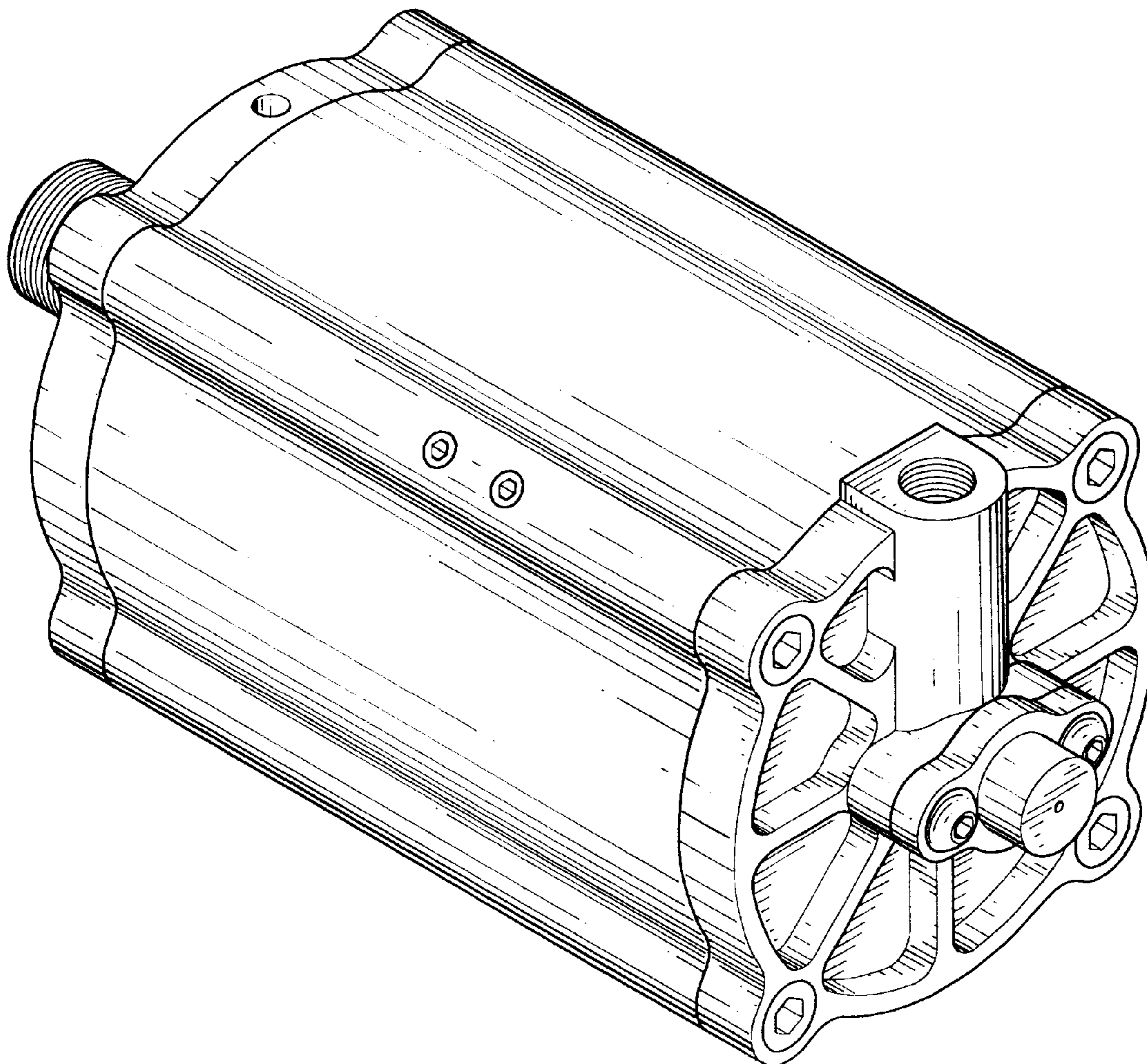
[57] **CLAIM**

The ornamental design for a pressure pump, as shown.

DESCRIPTION

FIG. 1 is a front-right-top perspective view of a pressure pump, showing my new design;
FIG. 2 is a front elevational view thereof;
FIG. 3 is a rear elevational view thereof;
FIG. 4 is a left elevational view thereof;
FIG. 5 is a right elevational view thereof;
FIG. 6 is a top plan view thereof; and,
FIG. 7 is a bottom plan view thereof.

1 Claim, 4 Drawing Sheets



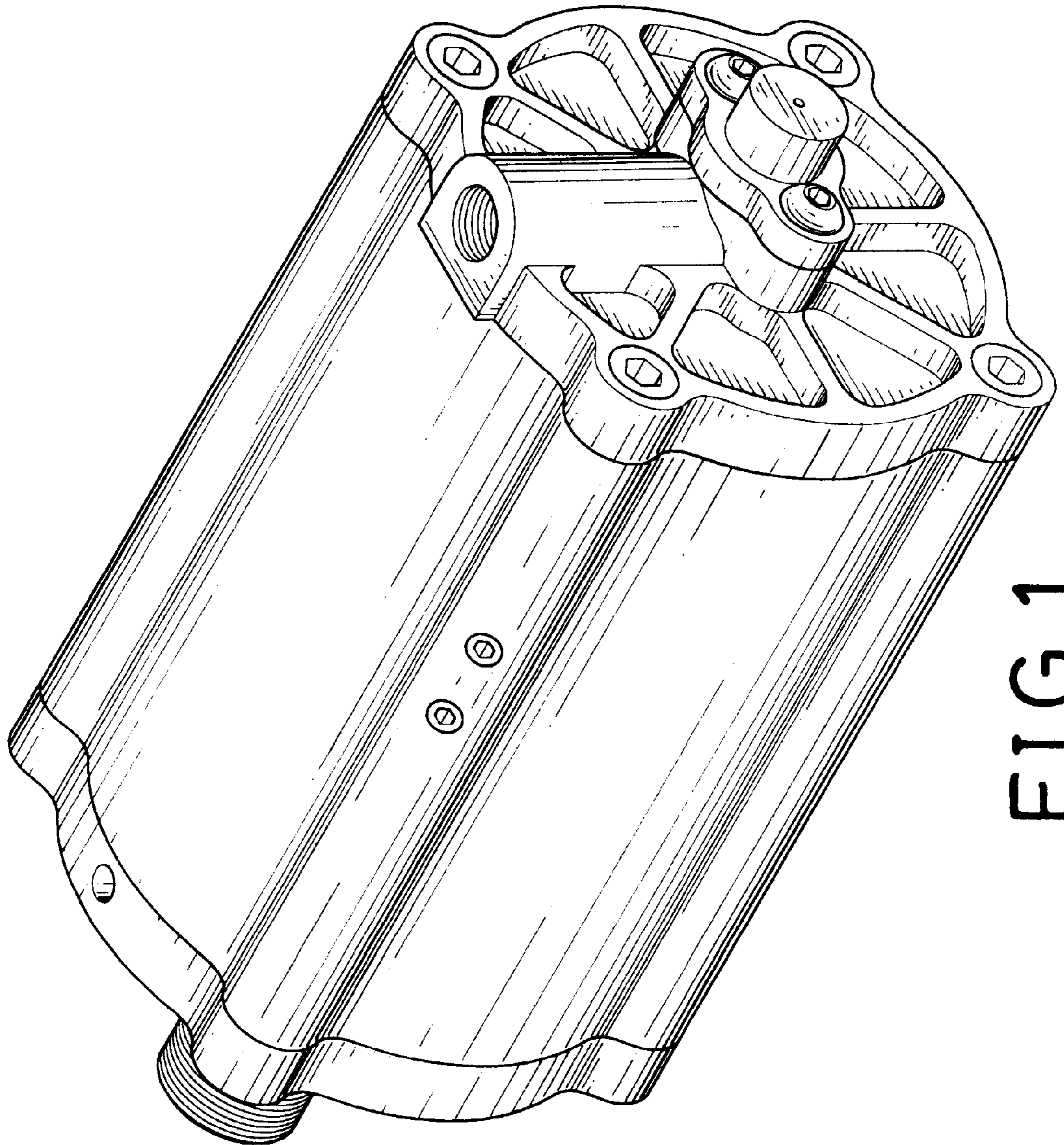


FIG. 1

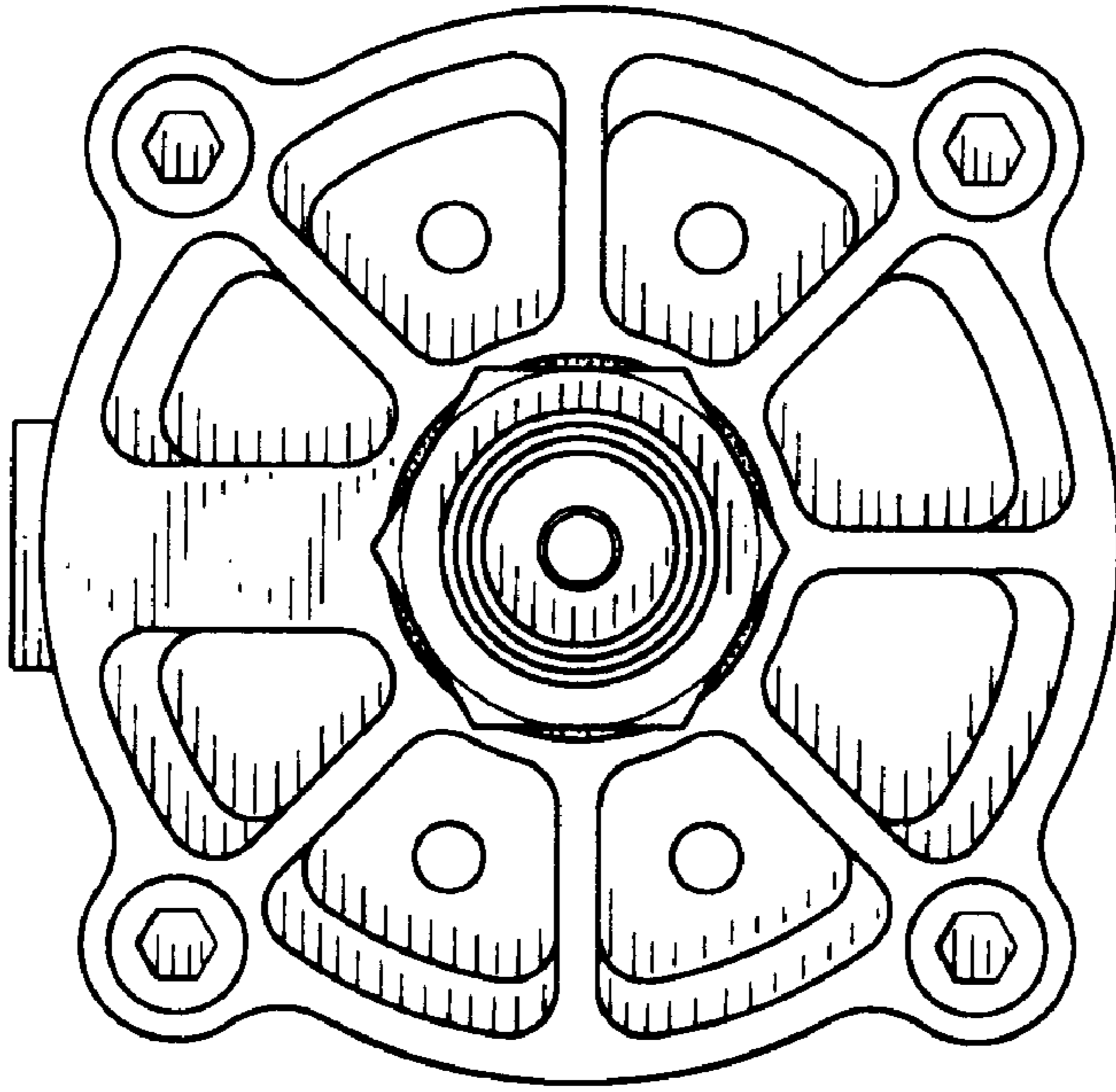


FIG.3

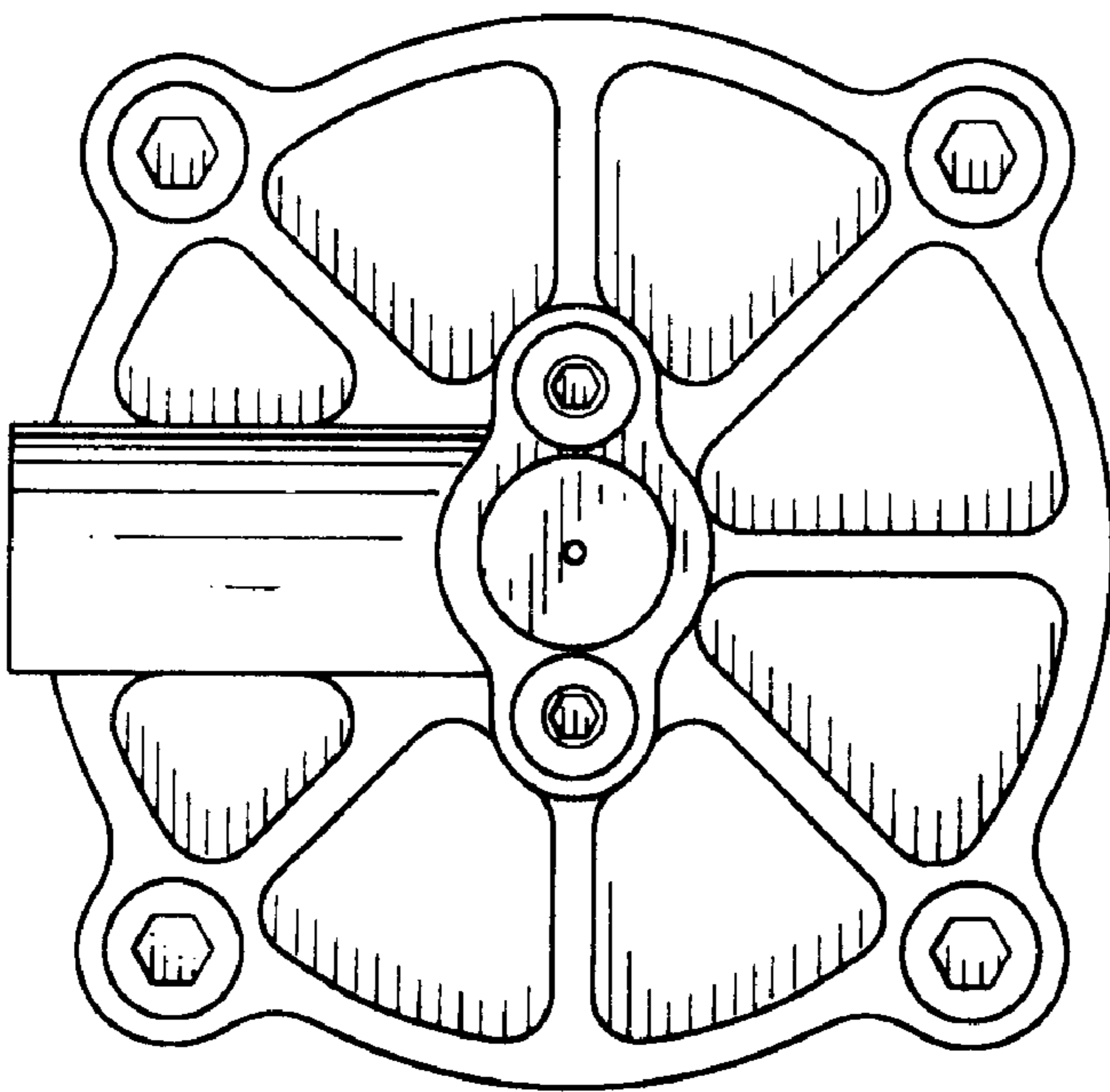


FIG.2

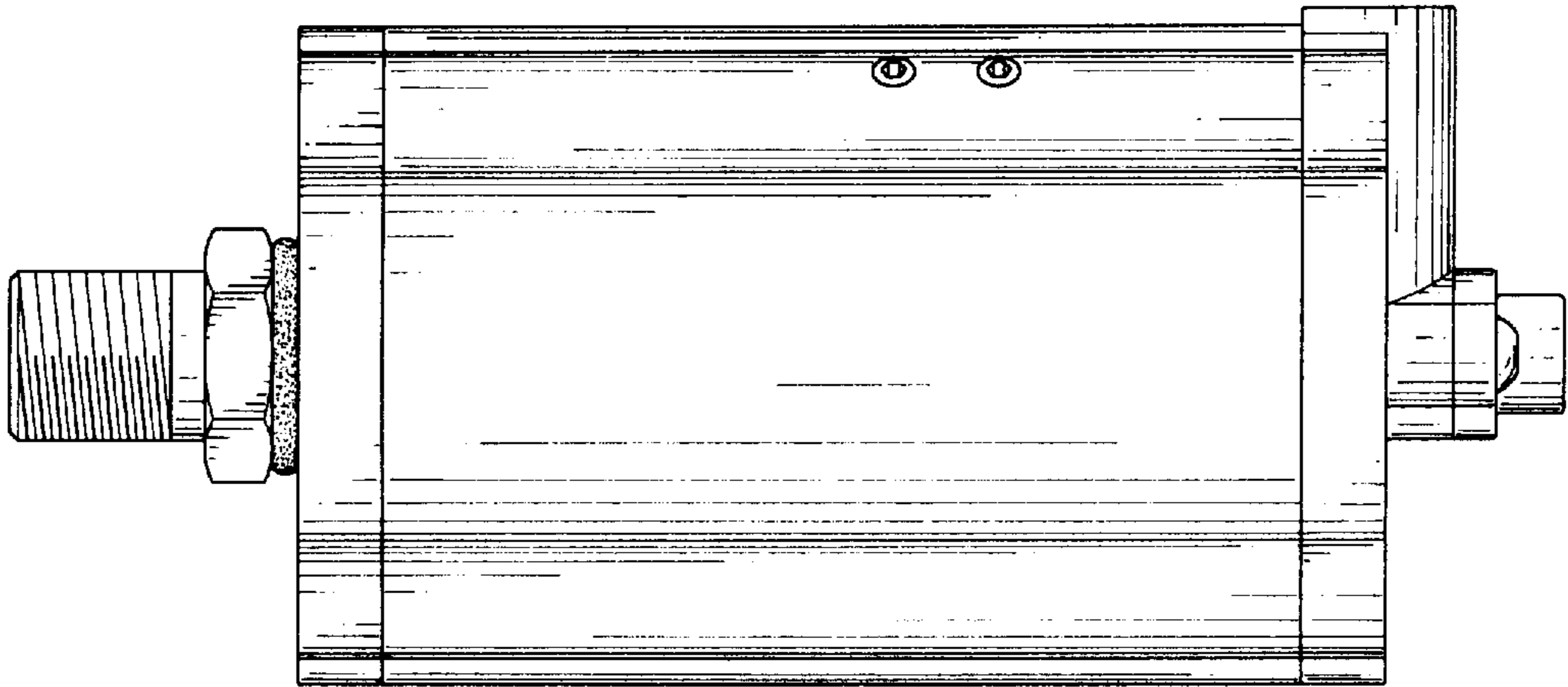


FIG.4

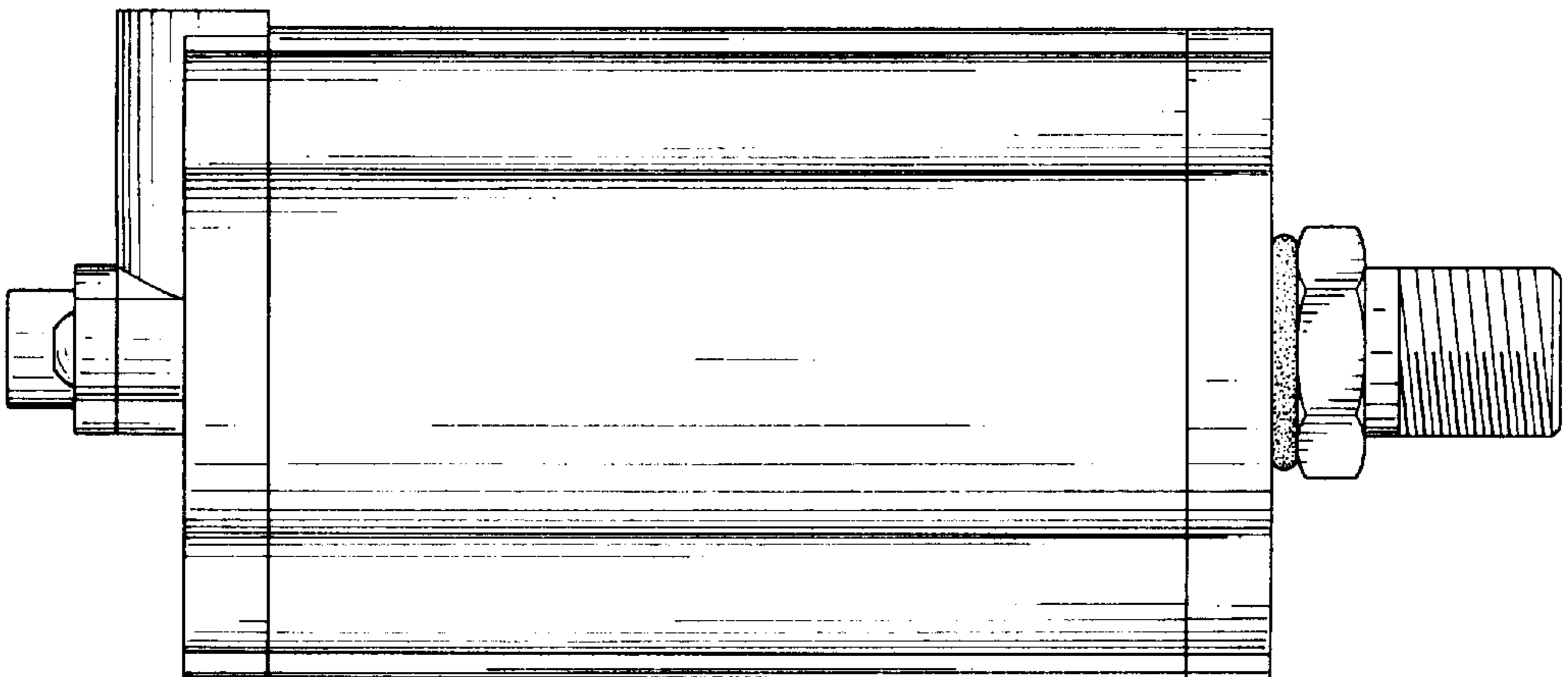


FIG.5

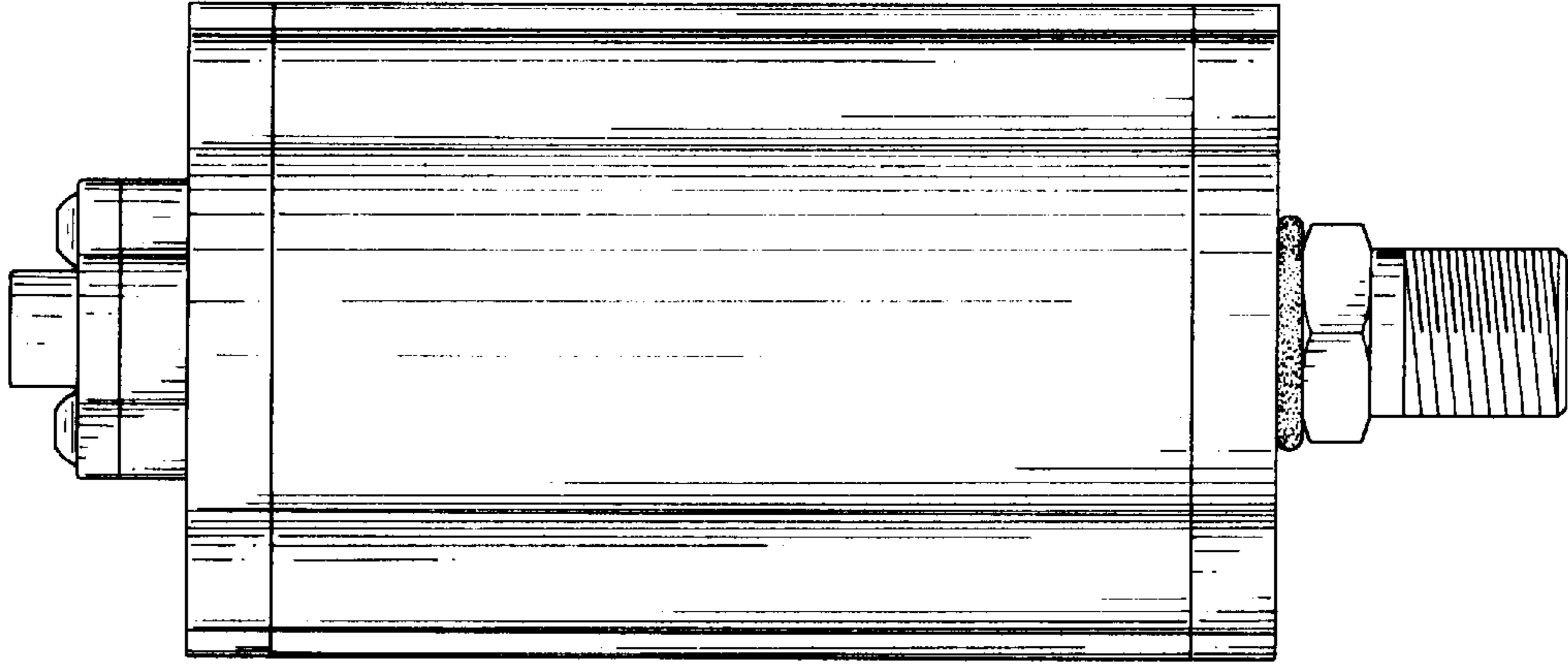


FIG. 7

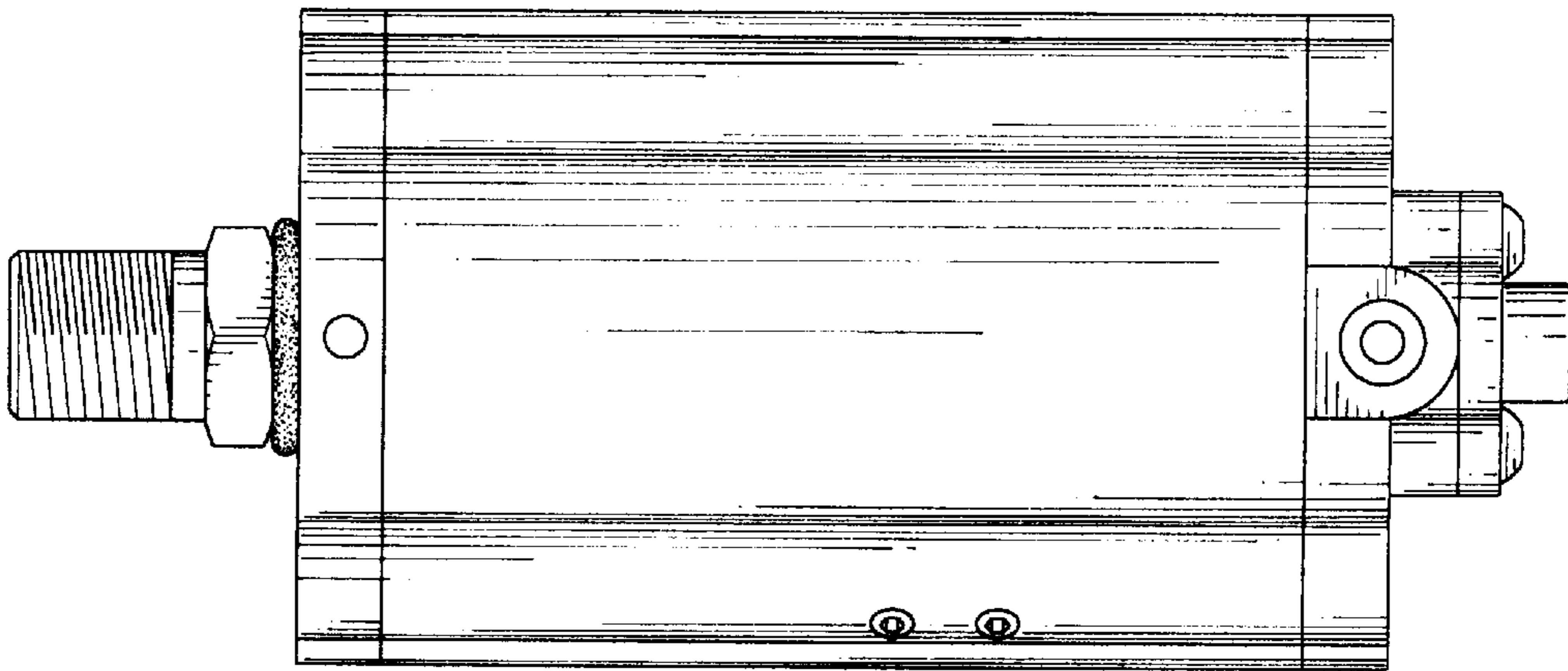


FIG. 6

UNITED STATES PATENT AND TRADEMARK OFFICE
CERTIFICATE OF CORRECTION

PATENT NO. : Des. 429,737
DATED : August 22, 2000
INVENTOR(S) : Kuan et al.

It is certified that error appears in the above-identified patent and that said Letters Patent is hereby corrected as shown below:

The assignee is shown as Tai E International Patent and Law Office,
Taipei, Taiwan

This error occurred when the above information was typed into the
"assignee" section on the Part-B Issue Fee Transmittal Form.

No assignment was filed in this case. The inventors retain ownership
of the instant patent.

Signed and Sealed this
Seventeenth Day of April, 2001

Attest:



NICHOLAS P. GODICI

Attesting Officer

Acting Director of the United States Patent and Trademark Office