



US00D429736S

# United States Patent [19] Flynn

[11] Patent Number: **Des. 429,736**

[45] Date of Patent: **\*\* Aug. 22, 2000**

[54] **CONSOLE FOR VEHICLE FUEL SYSTEM  
CLEANER**

5,503,683 4/1996 Butcher et al. .... 134/22.12  
5,633,457 5/1997 Kilar et al. .... 73/119 A

[76] Inventor: **Robert E. Flynn**, 953 N. Greer Ave.,  
Covina, Calif. 91724

*Primary Examiner*—Ralf Seifert  
*Attorney, Agent, or Firm*—Boniard I. Brown

[\*\*] Term: **14 Years**

[57] **CLAIM**

[21] Appl. No.: **29/098,503**

The ornamental design for a console for vehicle fuel system cleaner, as shown and described.

[22] Filed: **Dec. 31, 1998**

**DESCRIPTION**

[51] **LOC (7) Cl.** ..... **15-02**

[52] **U.S. Cl.** ..... **D15/7**

[58] **Field of Search** ..... D15/5, 7, 9; 123/198 A;  
73/119 A; 134/22.12, 169 A, 169 C, 113

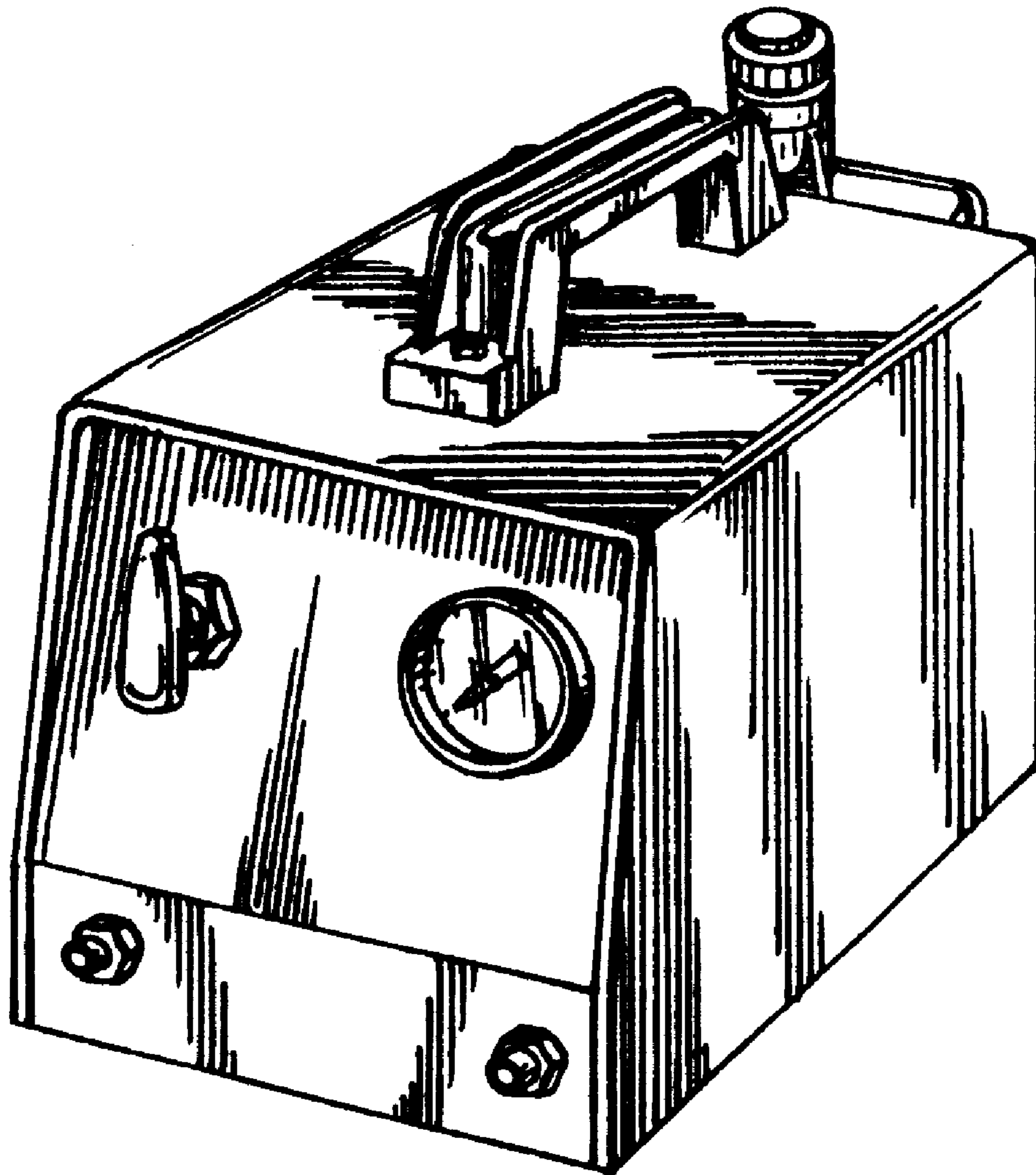
FIG. 1 is a perspective view of a console for vehicle fuel system cleaner, showing my new design;  
FIG. 2 is a front view thereof;  
FIG. 3 is a side elevational view thereof;  
FIG. 4 is a top view thereof;  
FIG. 5 is a side view opposite that from the view of FIG. 3;  
FIG. 6 is a bottom view thereof; and,  
FIG. 7 is a rear view thereof.

[56] **References Cited**

### U.S. PATENT DOCUMENTS

D. 328,305 7/1992 Wong ..... D15/7  
D. 354,753 1/1995 Turner, III et al. .... D15/7  
4,784,170 11/1988 Romanelli et al. .... 134/113

**1 Claim, 2 Drawing Sheets**



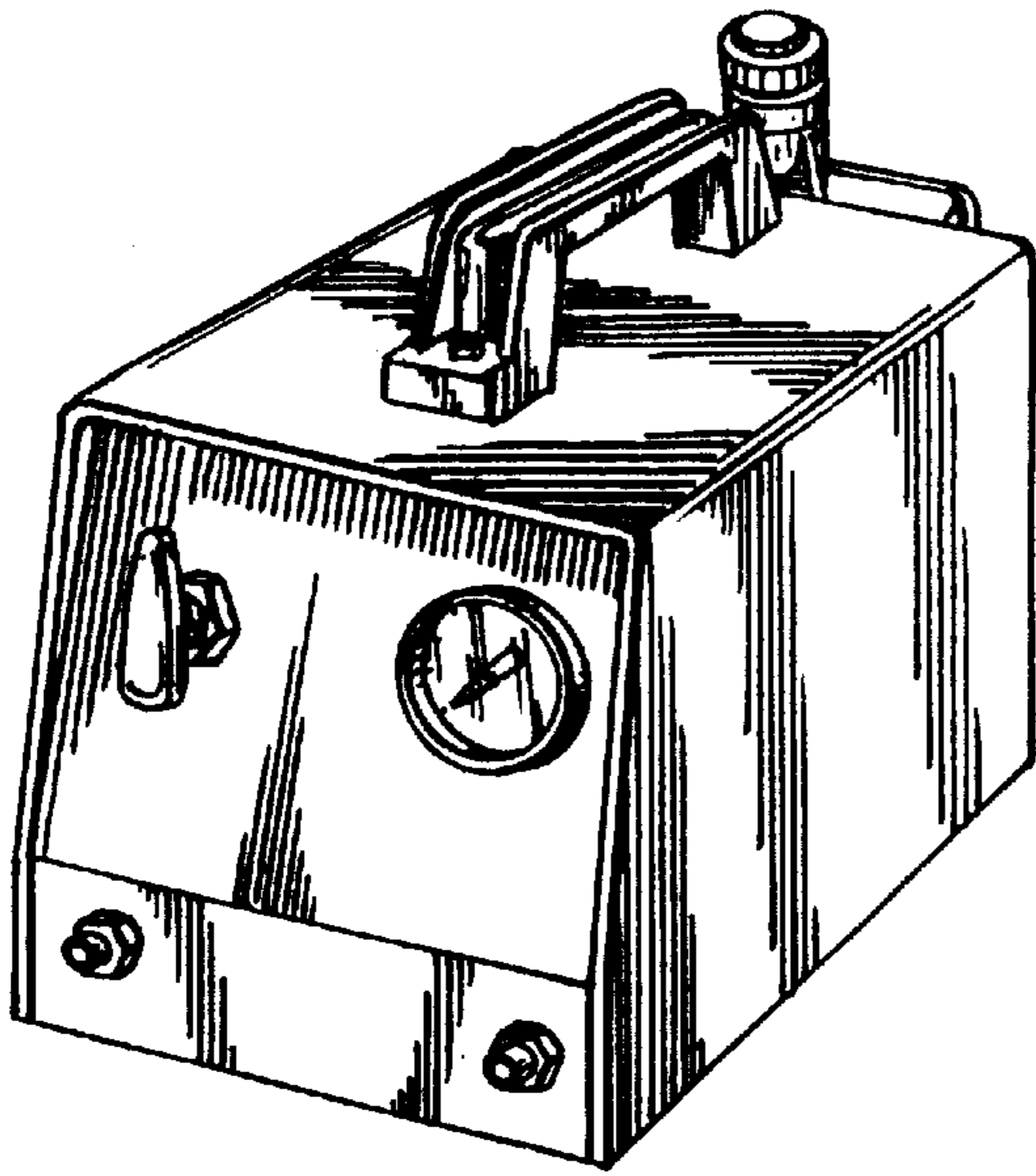


FIG.—1

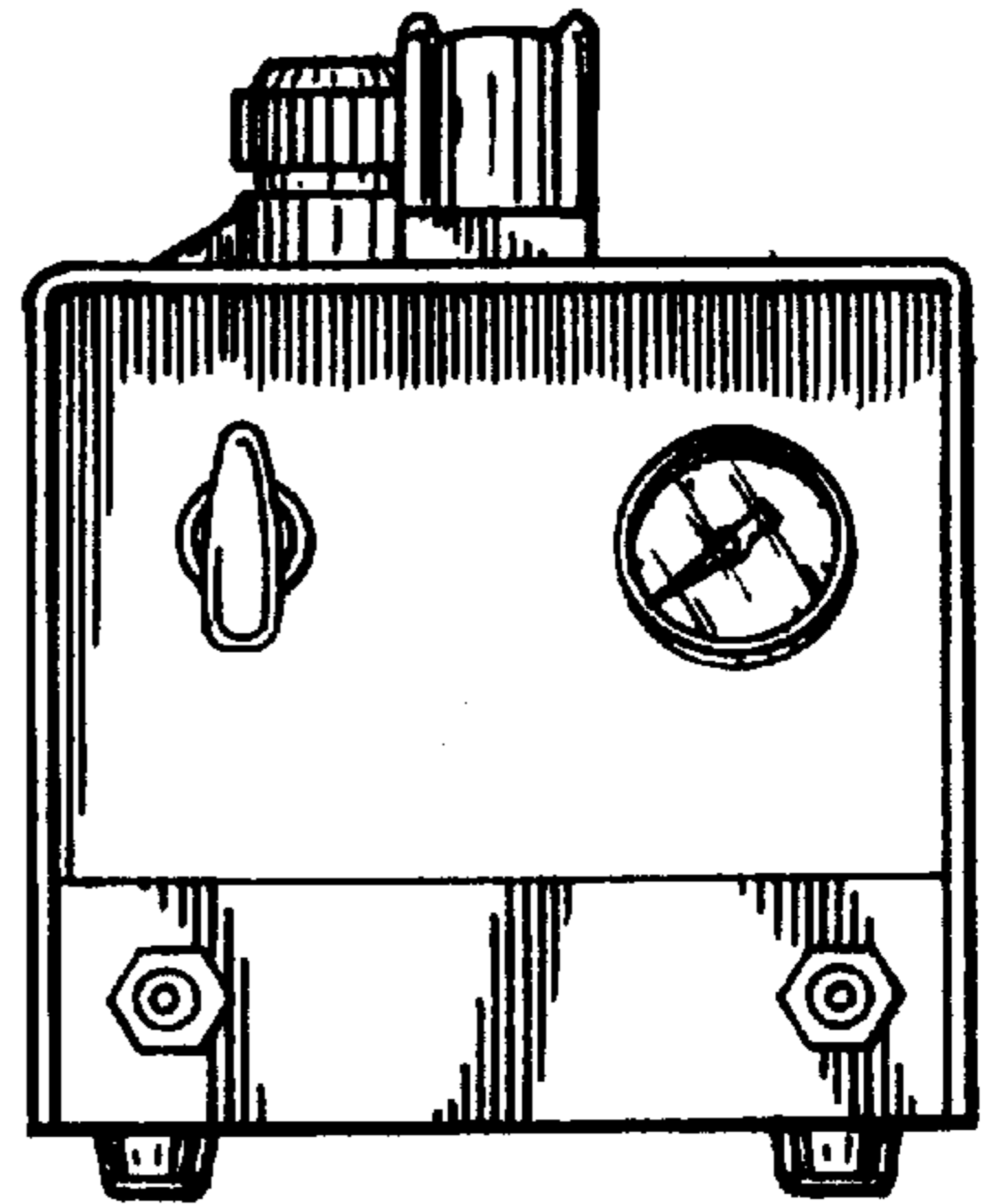


FIG.—2

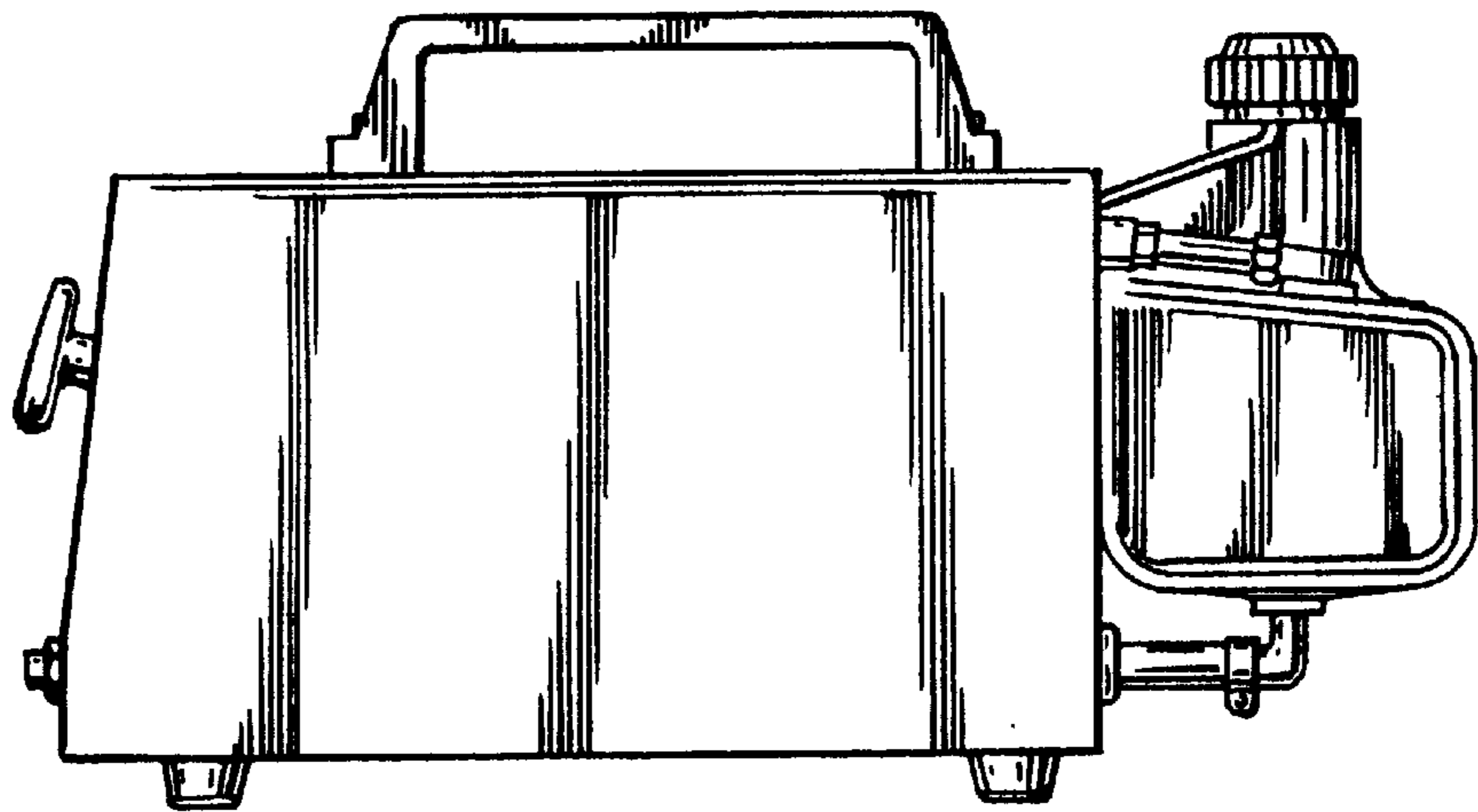


FIG.—3

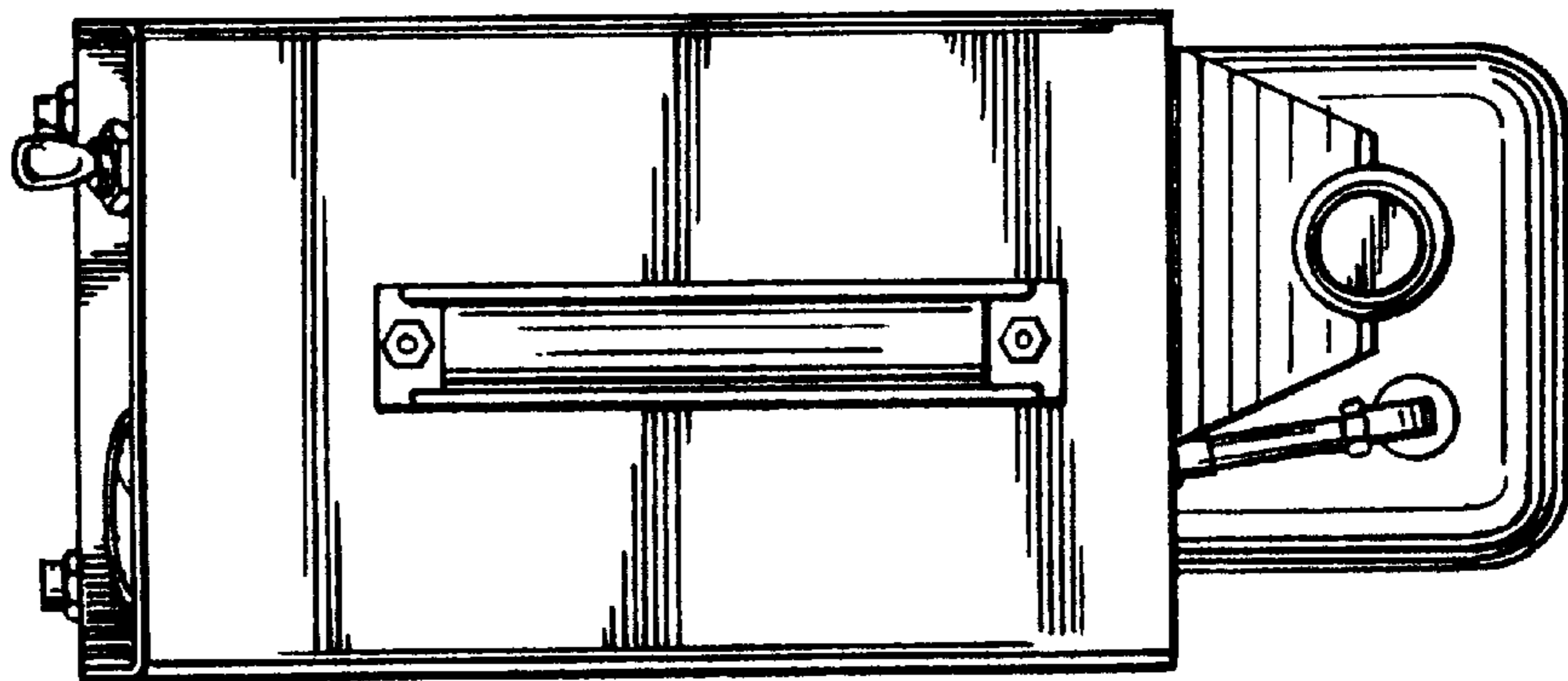
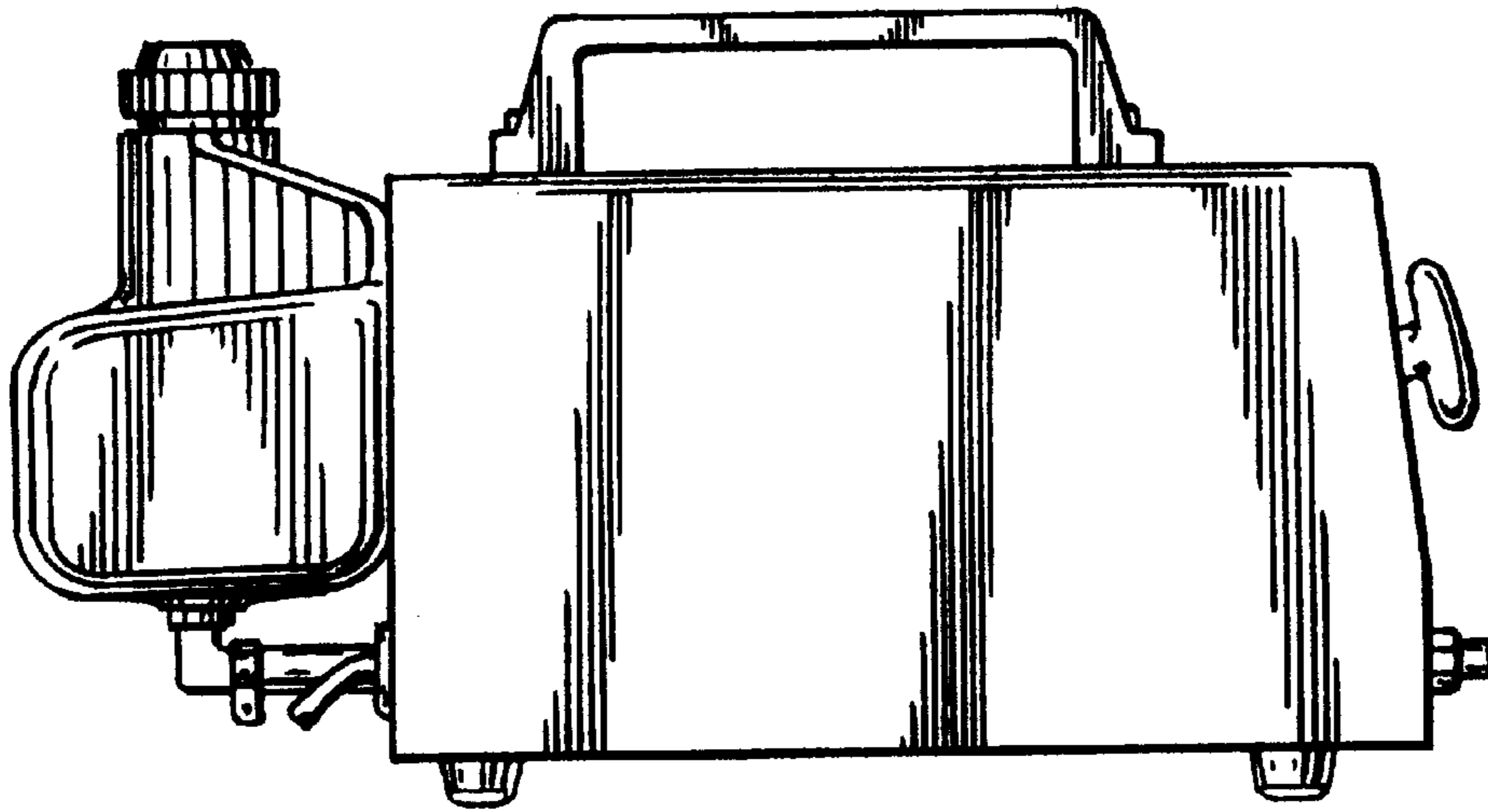
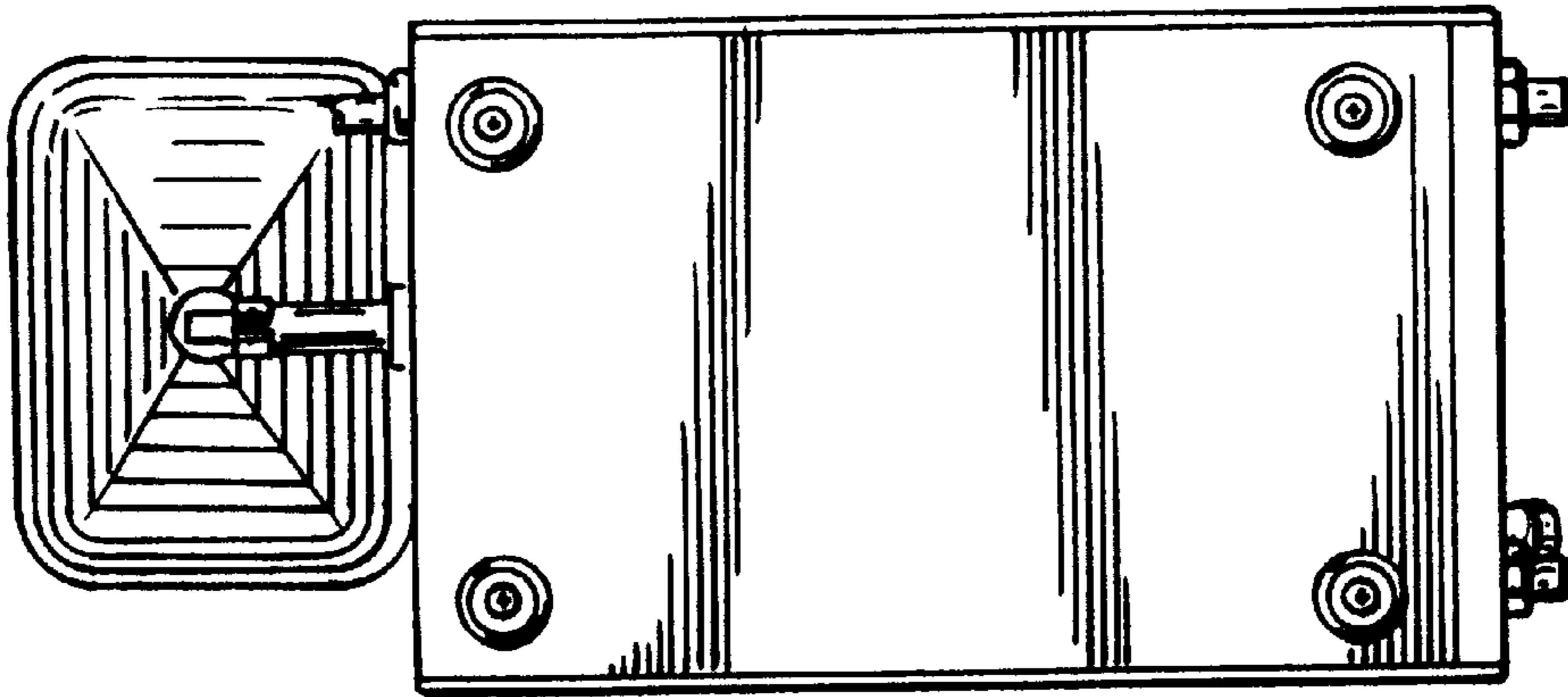


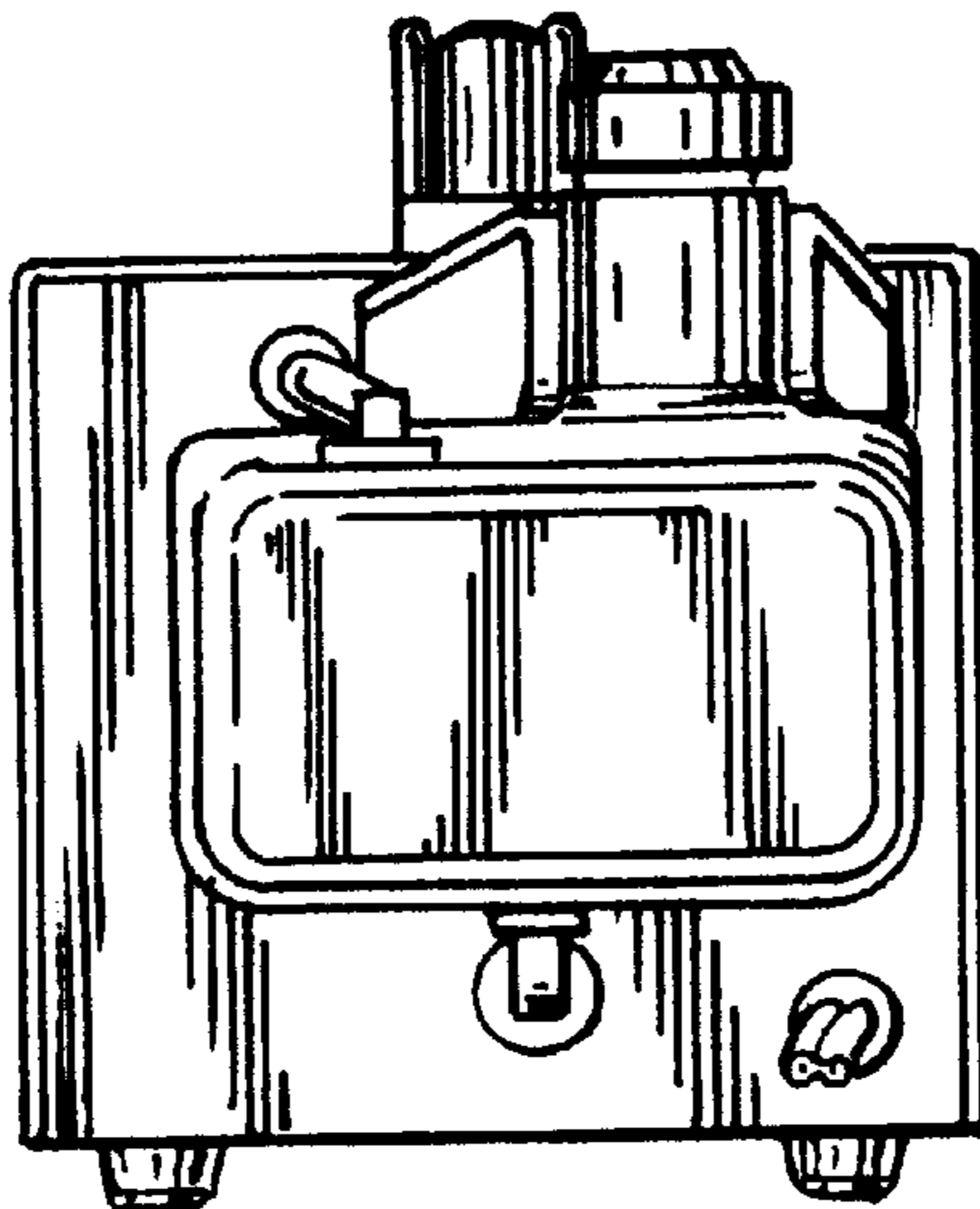
FIG.—4



*FIG.—5*



*FIG.—6*



*FIG.—7*