



US00D429730S

# United States Patent [19]

Jean et al.

[11] Patent Number: **Des. 429,730**

[45] Date of Patent: **\*\* Aug. 22, 2000**

[54] **COMPUTER FRONT BEZEL**

[75] Inventors: **Paul Jean**, Taipei; **Kaven Kan**,  
Tau-Yuan; **Ying Sheng Yeh**, Taipei, all  
of Taiwan

[73] Assignee: **Hon Hai Precision Ind. Co., Ltd.**,  
Taipei Hsien, Taiwan

[\*\*] Term: **14 Years**

[21] Appl. No.: **29/115,094**

[22] Filed: **Dec. 7, 1999**

[30] **Foreign Application Priority Data**

Nov. 30, 1999 [TW] Taiwan ..... 88307873

[51] **LOC (7) Cl.** ..... **14-02**

[52] **U.S. Cl.** ..... **D14/441**

[58] **Field of Search** ..... D14/441, 442,  
D14/257, 258; D13/162, 184, 199, 164,  
177; D10/103; 312/223.2

[56] **References Cited**

**U.S. PATENT DOCUMENTS**

D. 321,684 11/1991 Kline et al. .... D14/442

D. 334,185 3/1993 Lam ..... D14/442  
D. 392,281 3/1998 Poole et al. .... D14/441  
D. 407,082 3/1999 Waaler ..... D14/442

*Primary Examiner*—Freda Nunn  
*Attorney, Agent, or Firm*—Wei Te Chung

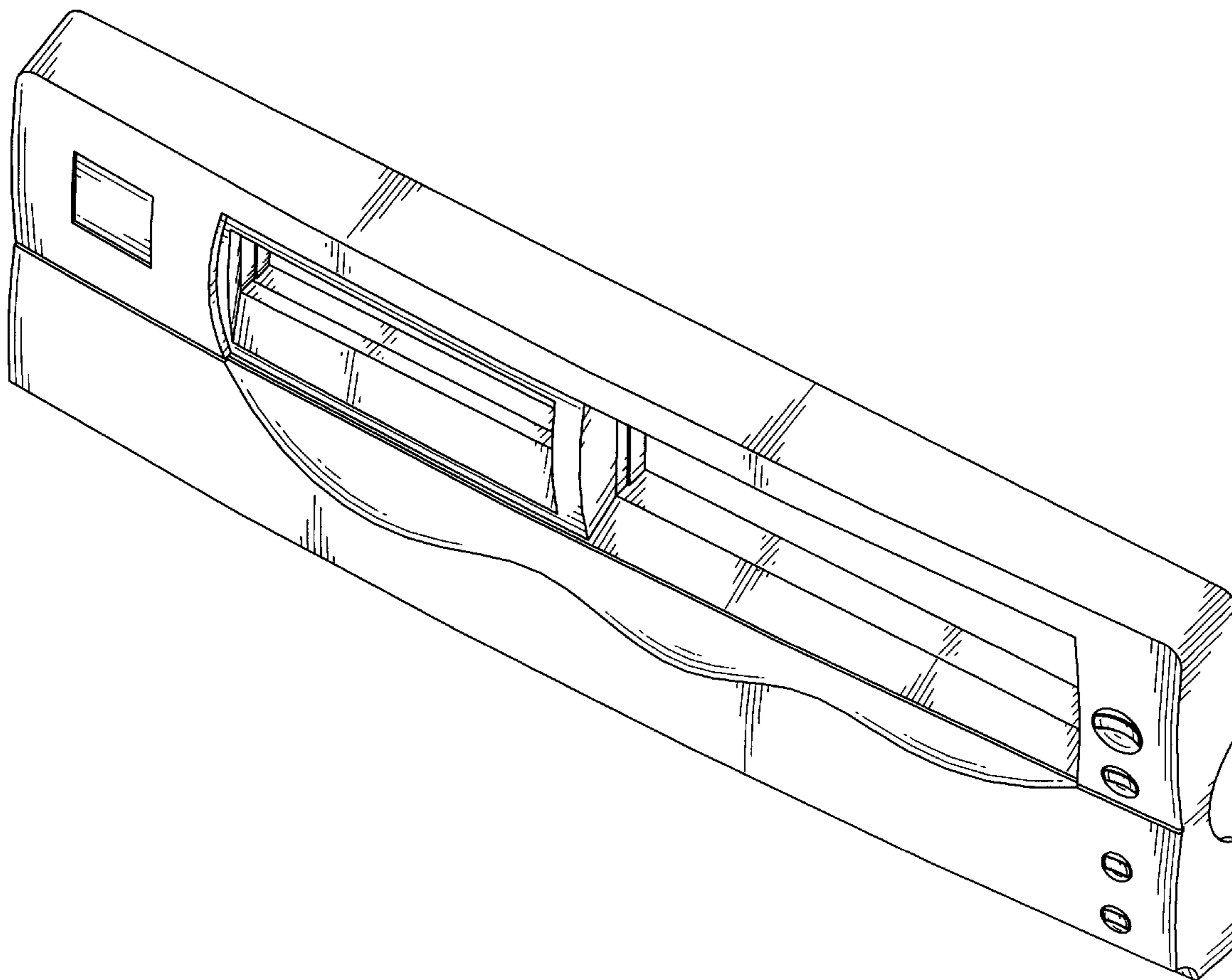
[57] **CLAIM**

The ornamental design for a computer front bezel, as shown and described.

**DESCRIPTION**

FIG. 1 is a perspective view of a computer front bezel showing our new design;  
FIG. 2 is a front elevational view thereof;  
FIG. 3 is a rear elevational view thereof;  
FIG. 4 is a left side elevational view thereof;  
FIG. 5 is a right side elevational view thereof;  
FIG. 6 is a top plan view thereof;  
FIG. 7 is a bottom plan view thereof; and,  
FIG. 8 is a reduced perspective view thereof shown attached to a computer case which is shown in broken lines for illustrative purposes only and forms no part of the claimed design.

**1 Claim, 6 Drawing Sheets**



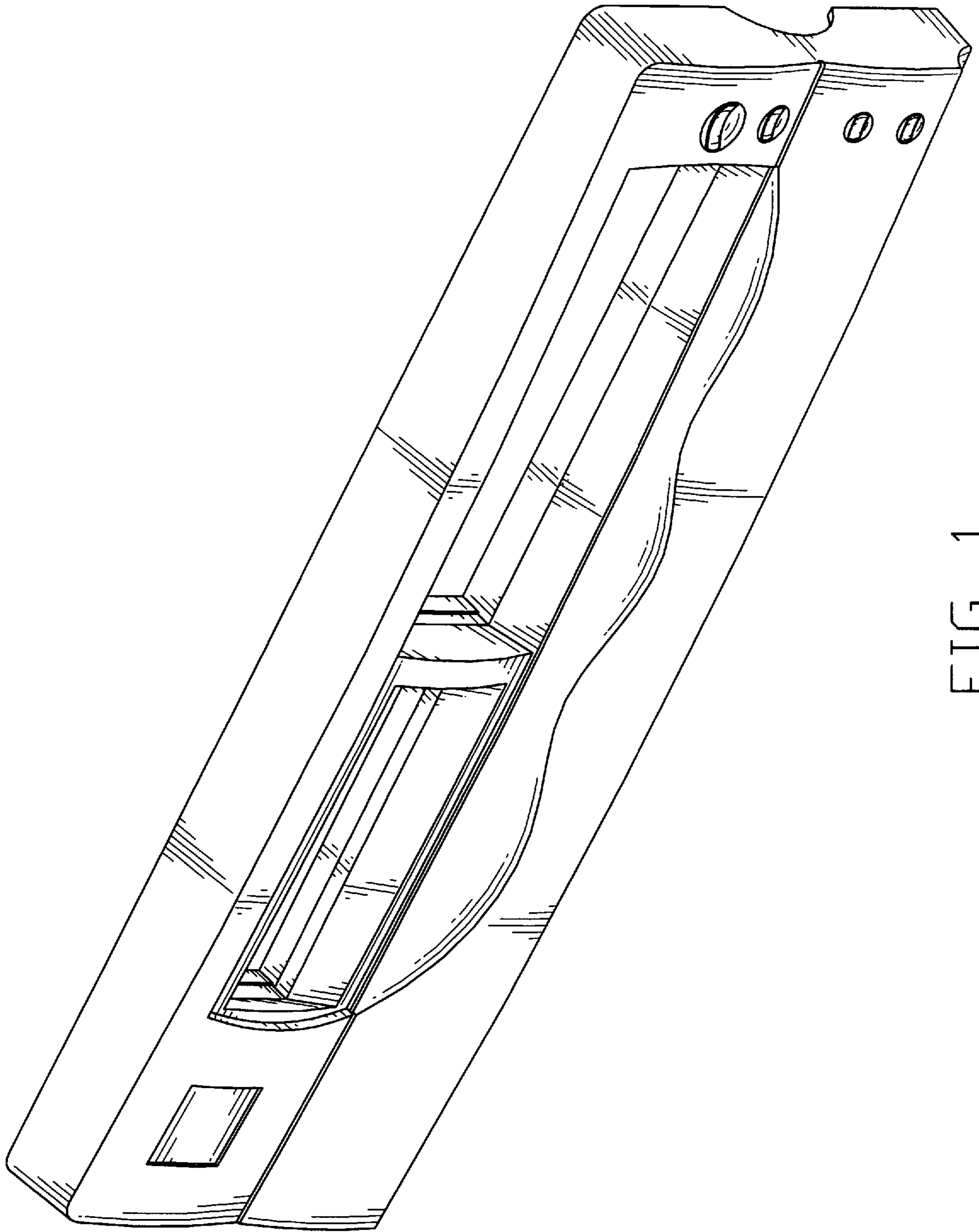


FIG. 1

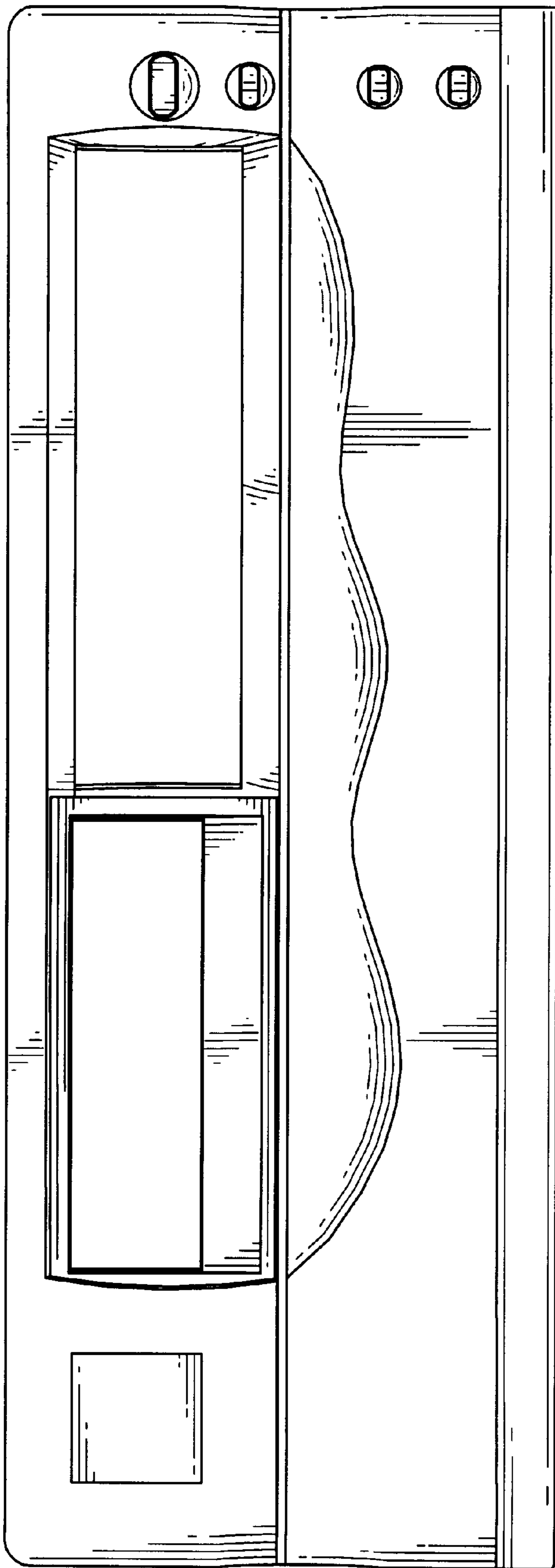


FIG. 2

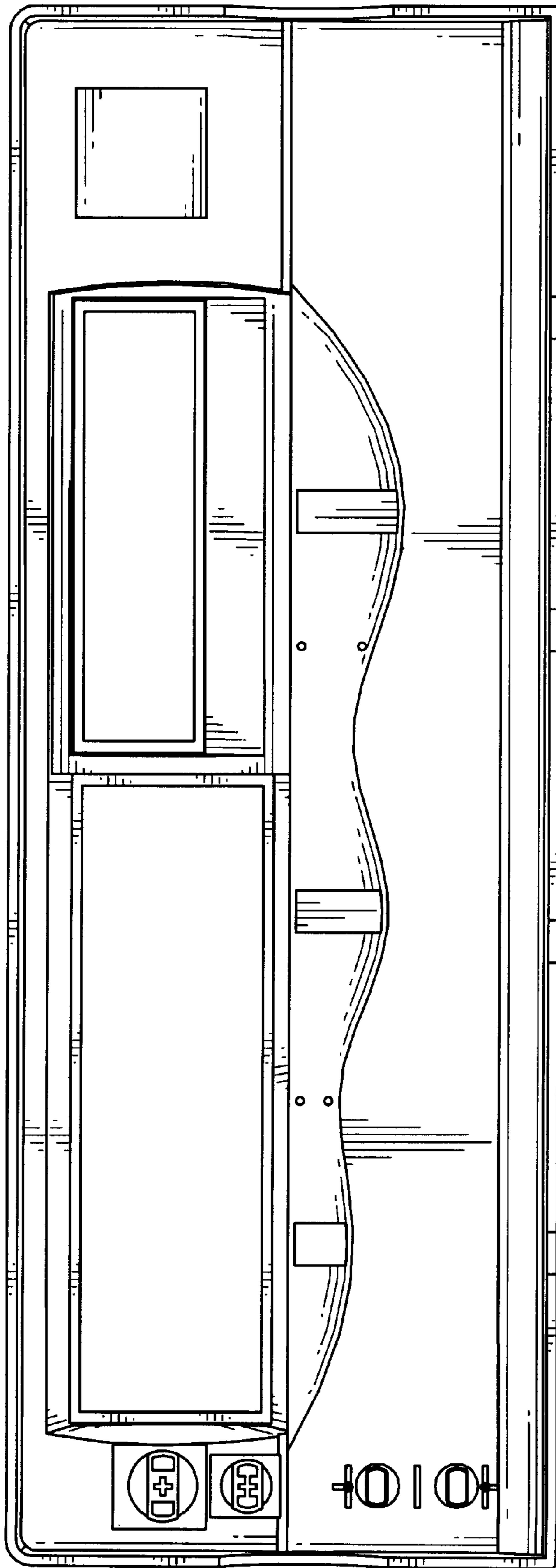


FIG. 3

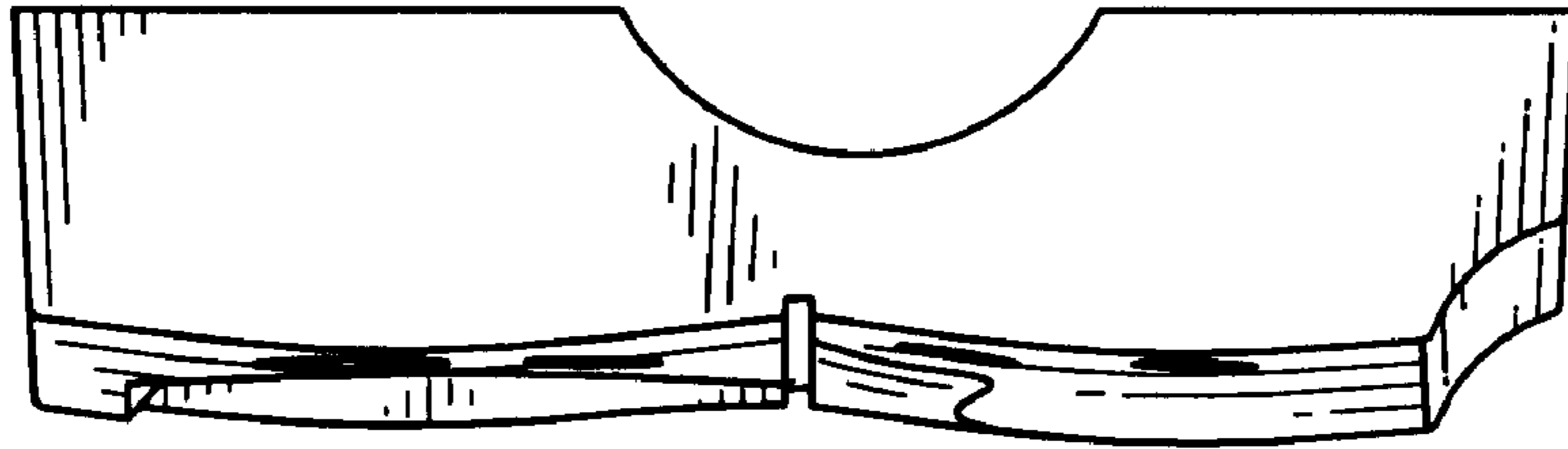


FIG. 5

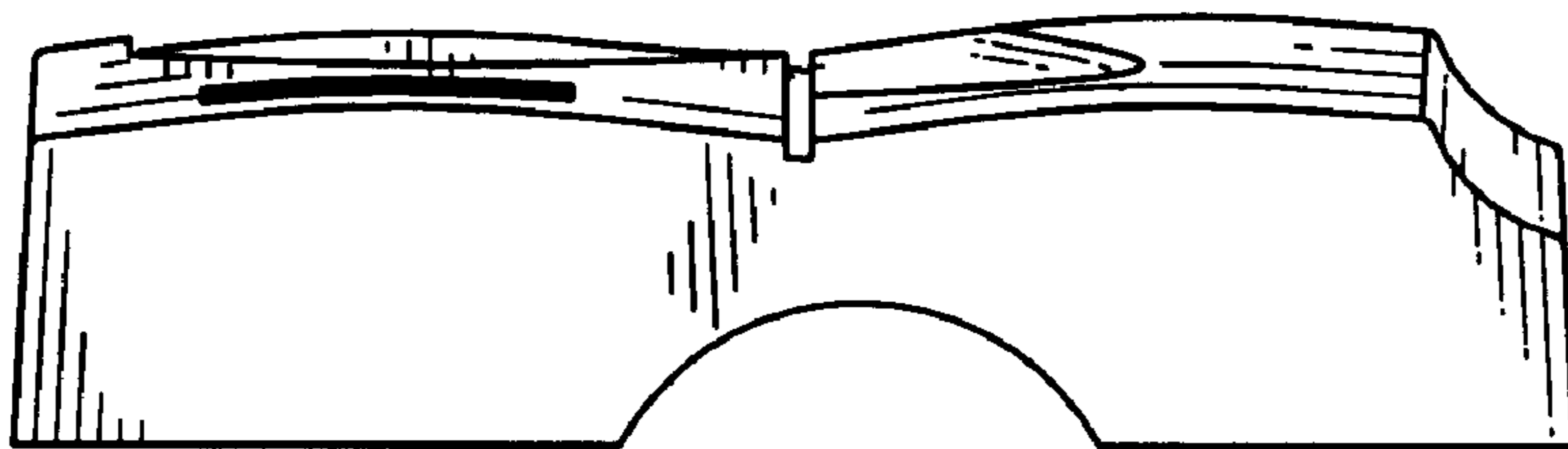


FIG. 4

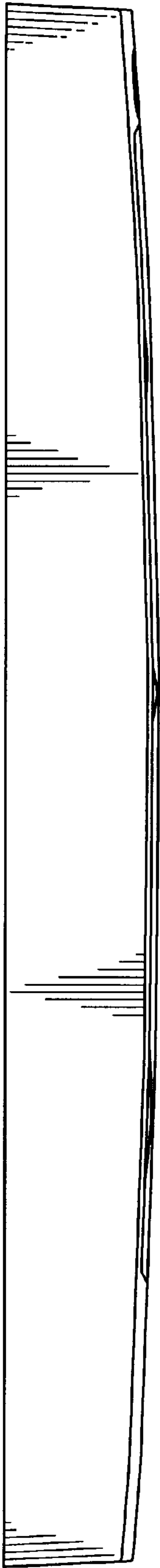


FIG. 6

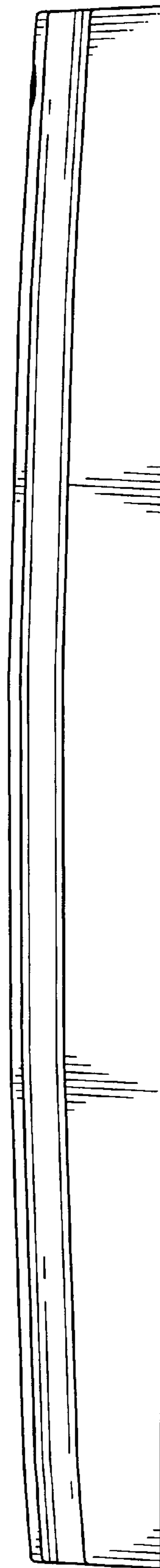


FIG. 7

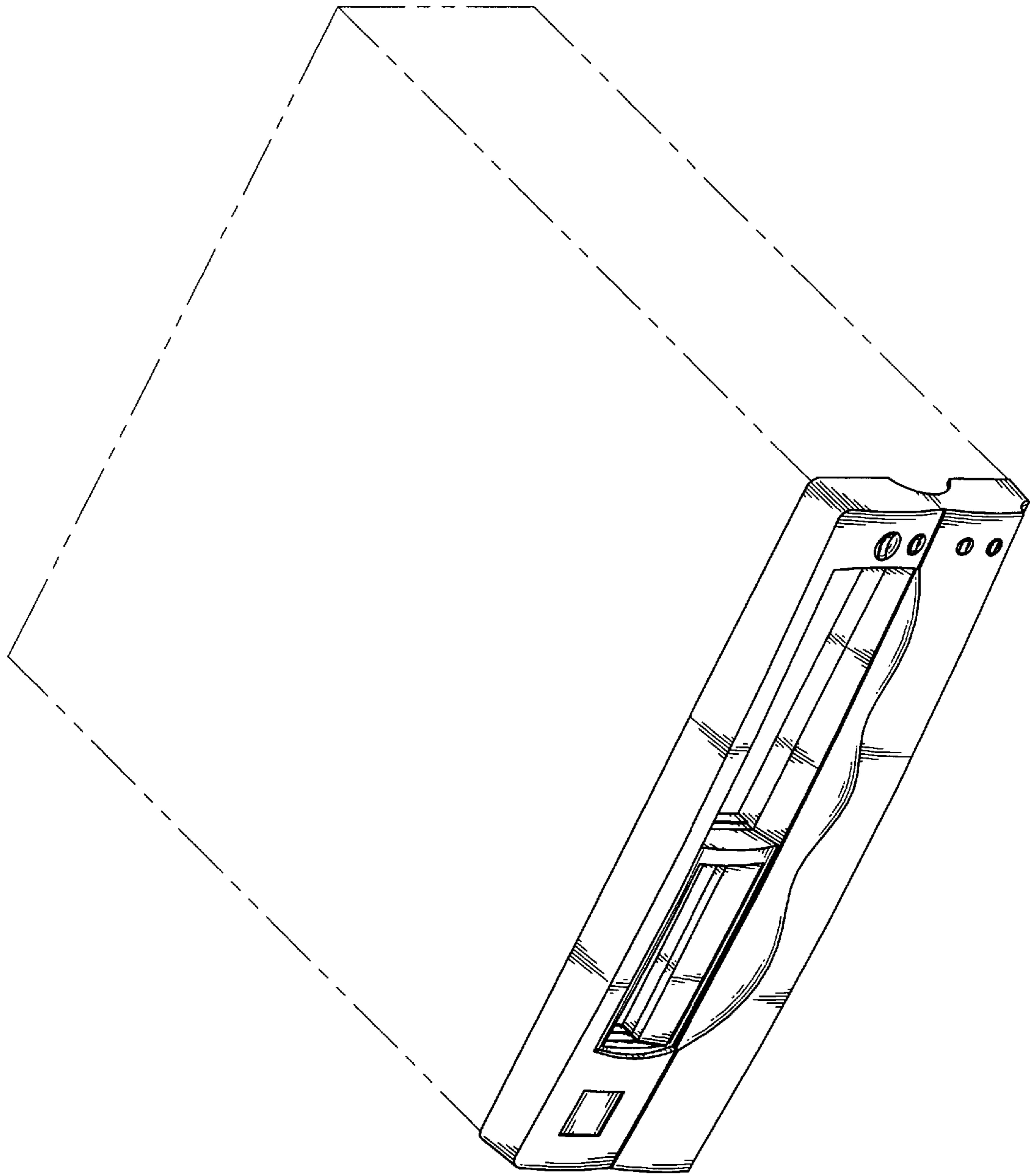


FIG. 8