



US00D429724S

United States Patent [19]
Han et al.

[11] **Patent Number: Des. 429,724**

[45] **Date of Patent: ** Aug. 22, 2000**

[54] **RECEIVER FOR AN INPUT DEVICE**

[75] Inventors: **Allen M. Han**, Kirkland; **Carl J. Ledbetter**, Lynnwood, both of Wash.

[73] Assignee: **Microsoft Corporation**, Redmond, Wash.

[**] Term: **14 Years**

[21] Appl. No.: **29/114,747**

[22] Filed: **Dec. 1, 1999**

[51] **LOC (7) Cl.** **14-02**

[52] **U.S. Cl.** **D14/358**

[58] **Field of Search** D14/356, 357, D14/358, 188; 395/750.01, 750.08; D13/184, 199; 361/679, 683-686; 340/825.25; 439/299-300

[56] **References Cited**

U.S. PATENT DOCUMENTS

- D. 351,152 10/1994 Liu .
- D. 358,380 5/1995 Sakaguchi .
- D. 371,788 7/1996 Kenning et al. .
- D. 375,297 11/1996 Casarez et al. .
- D. 381,647 7/1997 Terng .
- D. 383,801 9/1997 Oikawa .

- D. 396,852 8/1998 Chao .
- D. 400,193 10/1998 Small et al. .
- D. 414,476 9/1999 Hibino .
- D. 419,988 2/2000 Brunner et al. .

Primary Examiner—M. H. Tung
Attorney, Agent, or Firm—Banner & Witcoff, Ltd.

[57] **CLAIM**

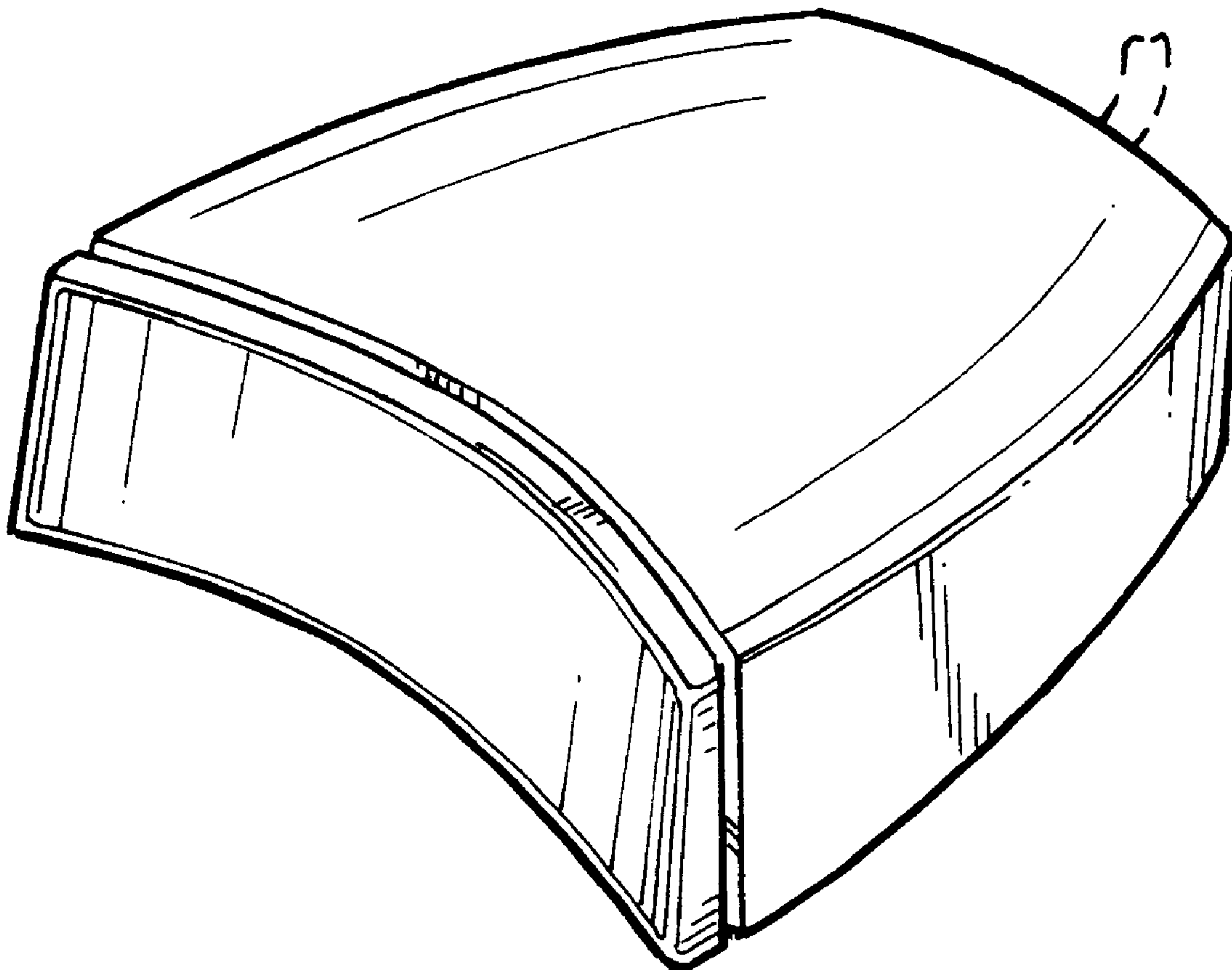
The ornamental design for a receiver for an input device, as shown and described.

DESCRIPTION

FIG. 1 is a perspective view of a receiver for an input device showing our new design; FIG. 2 is a right side elevational view thereof; FIG. 3 is a left side elevational view thereof; FIG. 4 is a front elevational view thereof; FIG. 5 is a rear elevational view thereof; FIG. 6 is a top plan view thereof; and, FIG. 7 is a bottom plan view thereof.

The broken line representation of the circular legs and the rectangular switch in FIG. 7 and the cord in FIGS. 1-3, 6 and 7 is for environmental purposes only and forms no part of the claimed design.

1 Claim, 2 Drawing Sheets



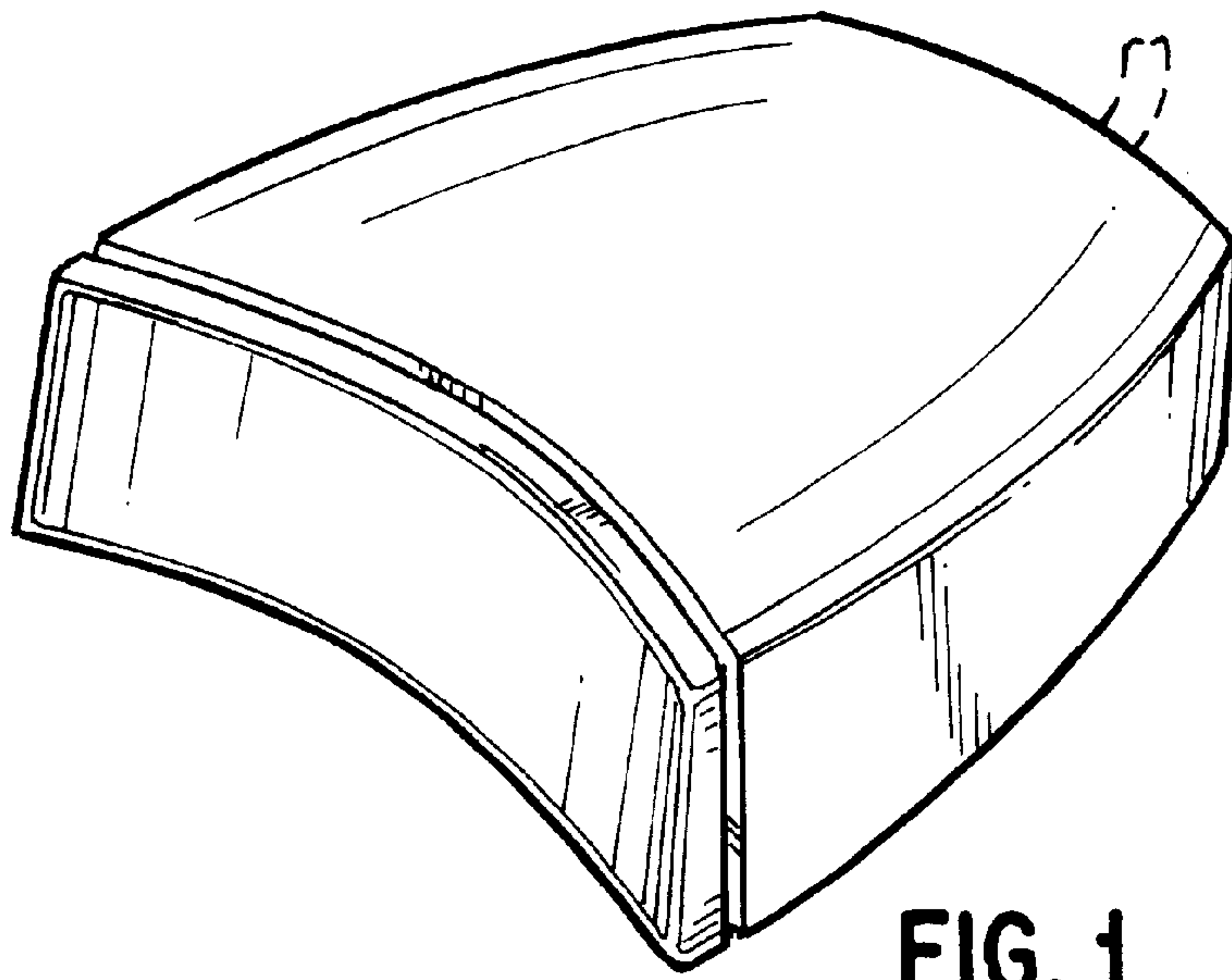


FIG. 1

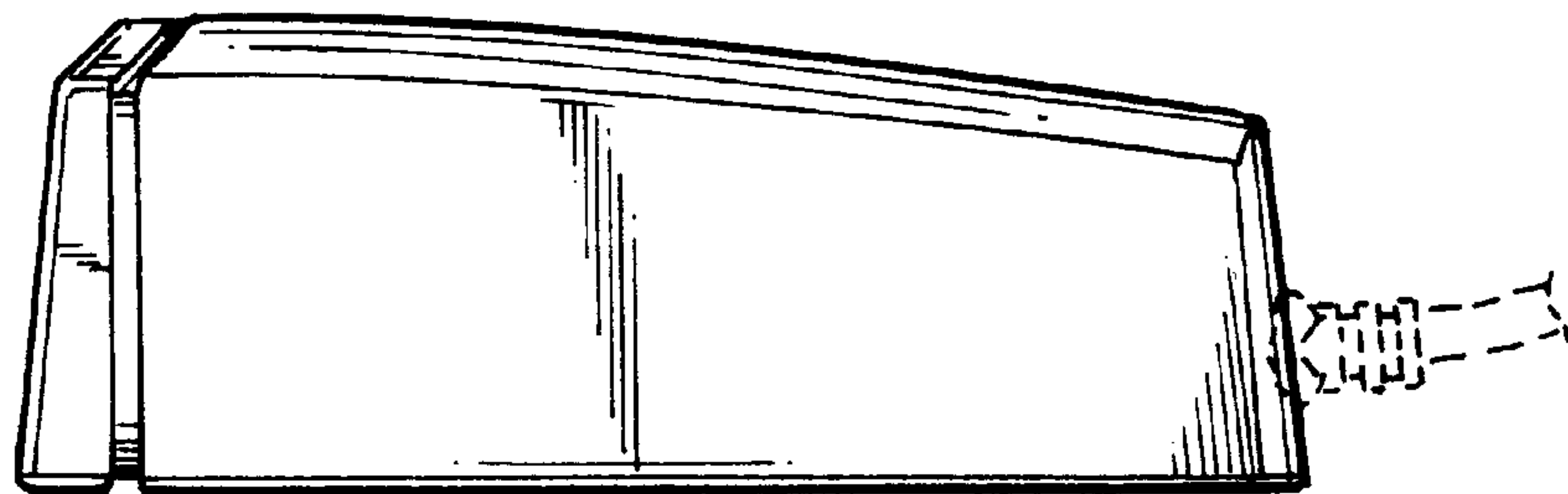


FIG. 2

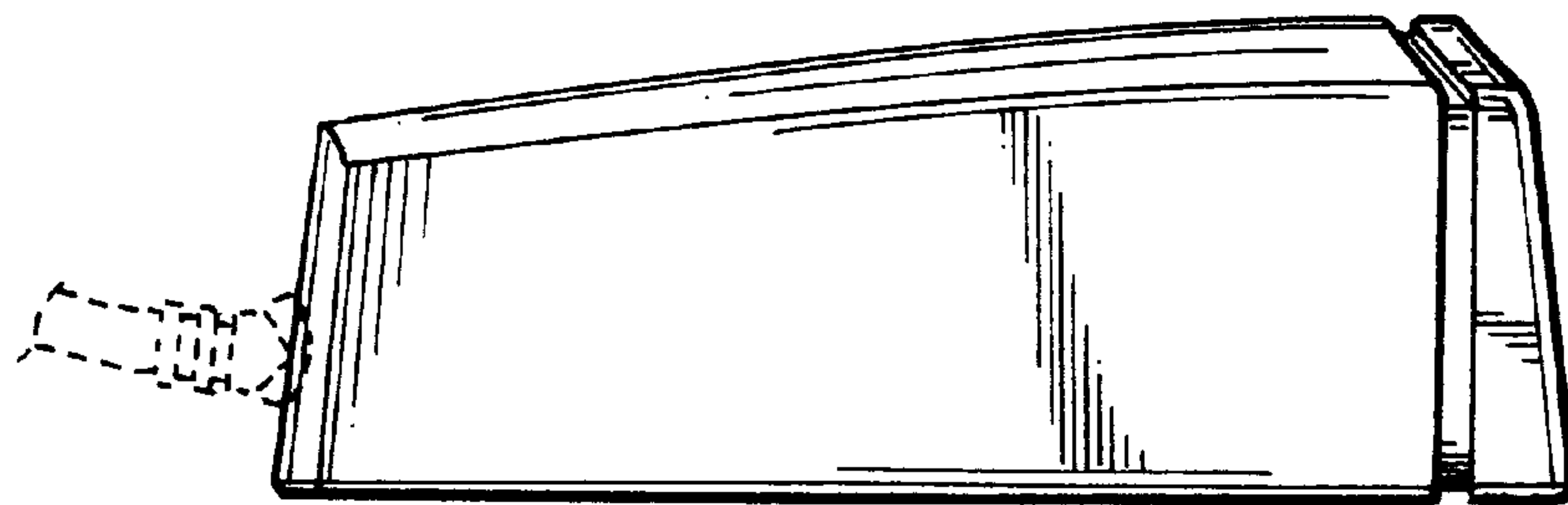


FIG. 3

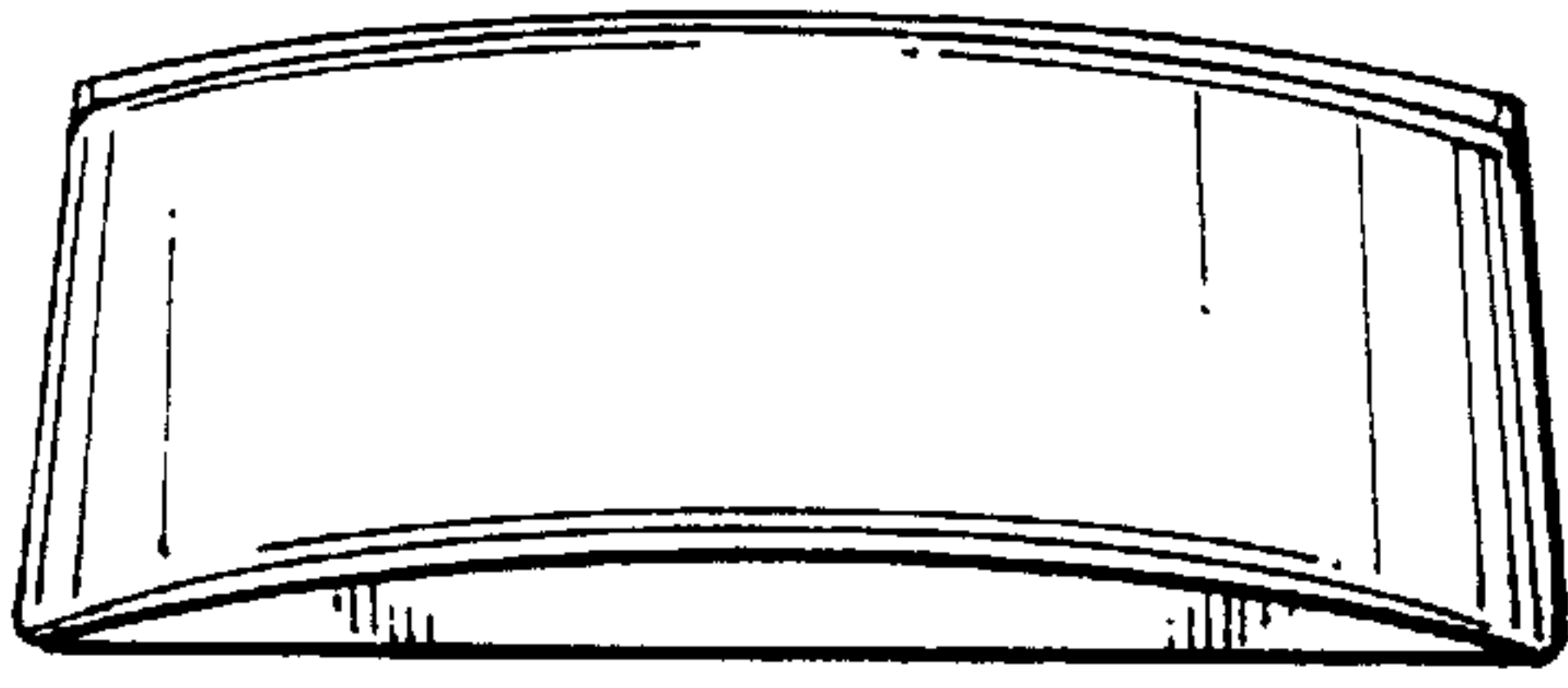


FIG. 4

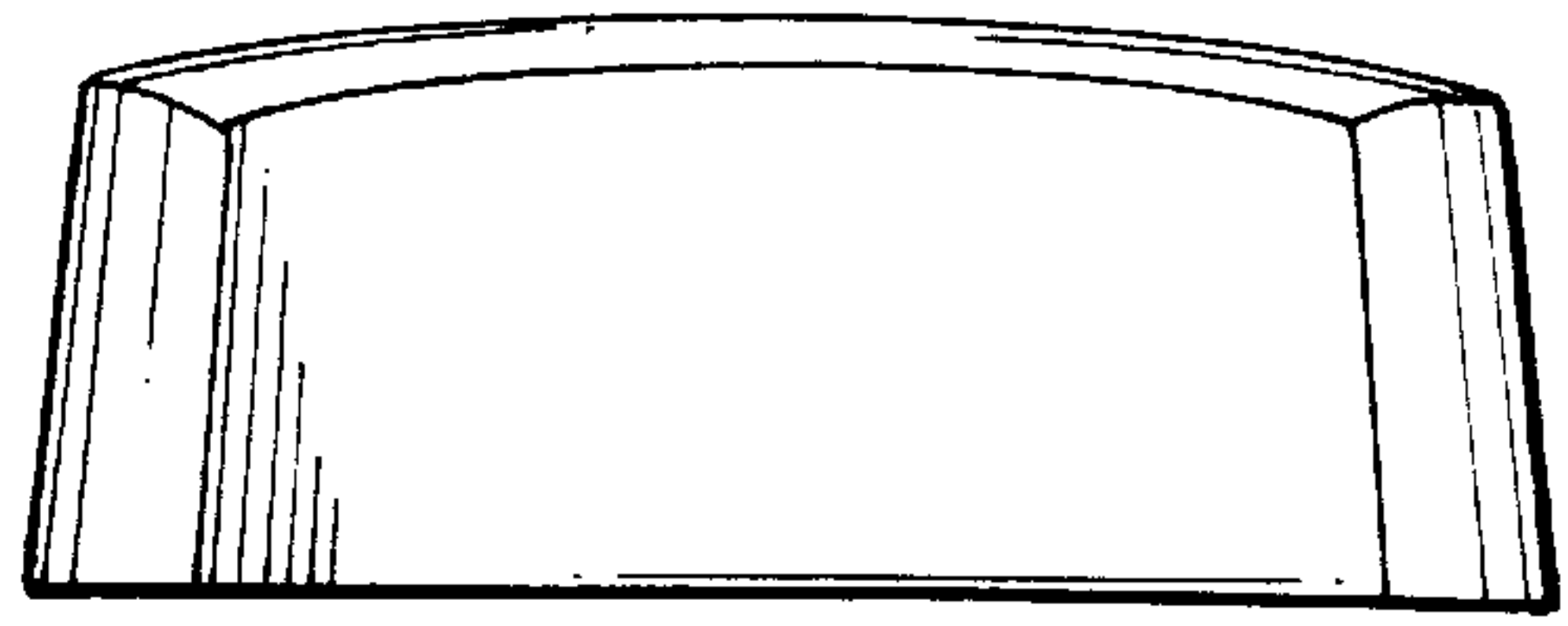


FIG. 5

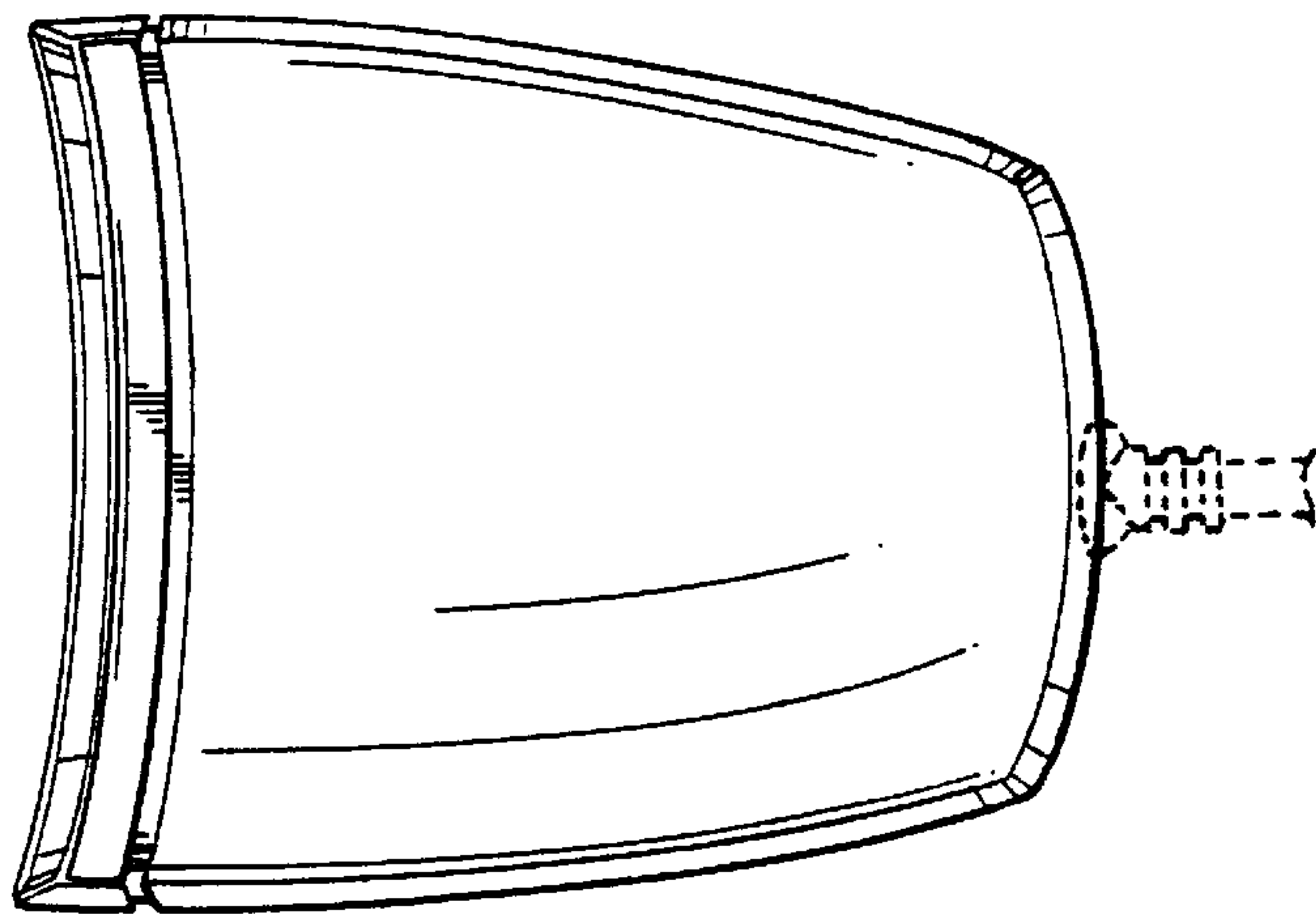


FIG. 6

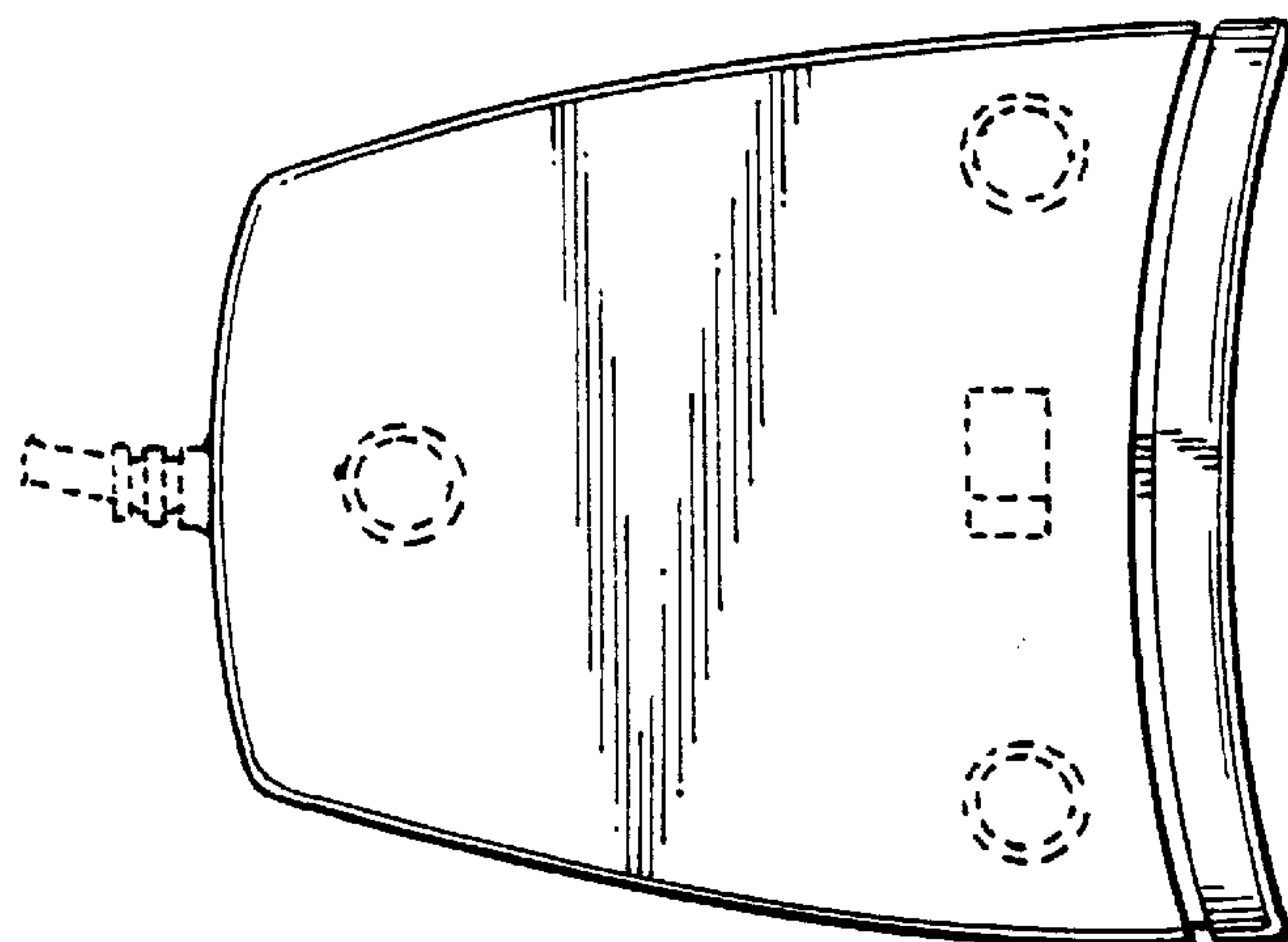


FIG. 7