



US00D429720S

United States Patent [19]
Strand

[11] **Patent Number: Des. 429,720**

[45] **Date of Patent: ** Aug. 22, 2000**

[54] **ANTENNA ENCLOSURE**

4,728,962 3/1988 Kitsuda et al. 343/872

[75] Inventor: **Johan Strand**, Akersberga, Sweden

FOREIGN PATENT DOCUMENTS

[73] Assignee: **Allgon AB**, Akersberga, Sweden

98-1464 7/1998 Sweden .

2049646 8/1995 United Kingdom .

[**] Term: **14 Years**

Primary Examiner—Louis S. Zarfes

Assistant Examiner—G Andoll

[21] Appl. No.: **29/110,664**

Attorney, Agent, or Firm—Jacobson, Price, Holman & Stern, PLLC

[22] Filed: **Sep. 13, 1999**

[30] **Foreign Application Priority Data**

[57] **CLAIM**

Mar. 11, 1999 [SE] Sweden 99-0462

I claim the ornamental design for the antenna enclosure, as shown and described.

[51] **LOC (7) Cl.** **14-03**

DESCRIPTION

[52] **U.S. Cl.** **D14/230**

[58] **Field of Search** D14/230-238;
343/702, 901, 720, 713, 714, 795, 765,
840, 872, 878, 879; 455/90, 347, 128, 562

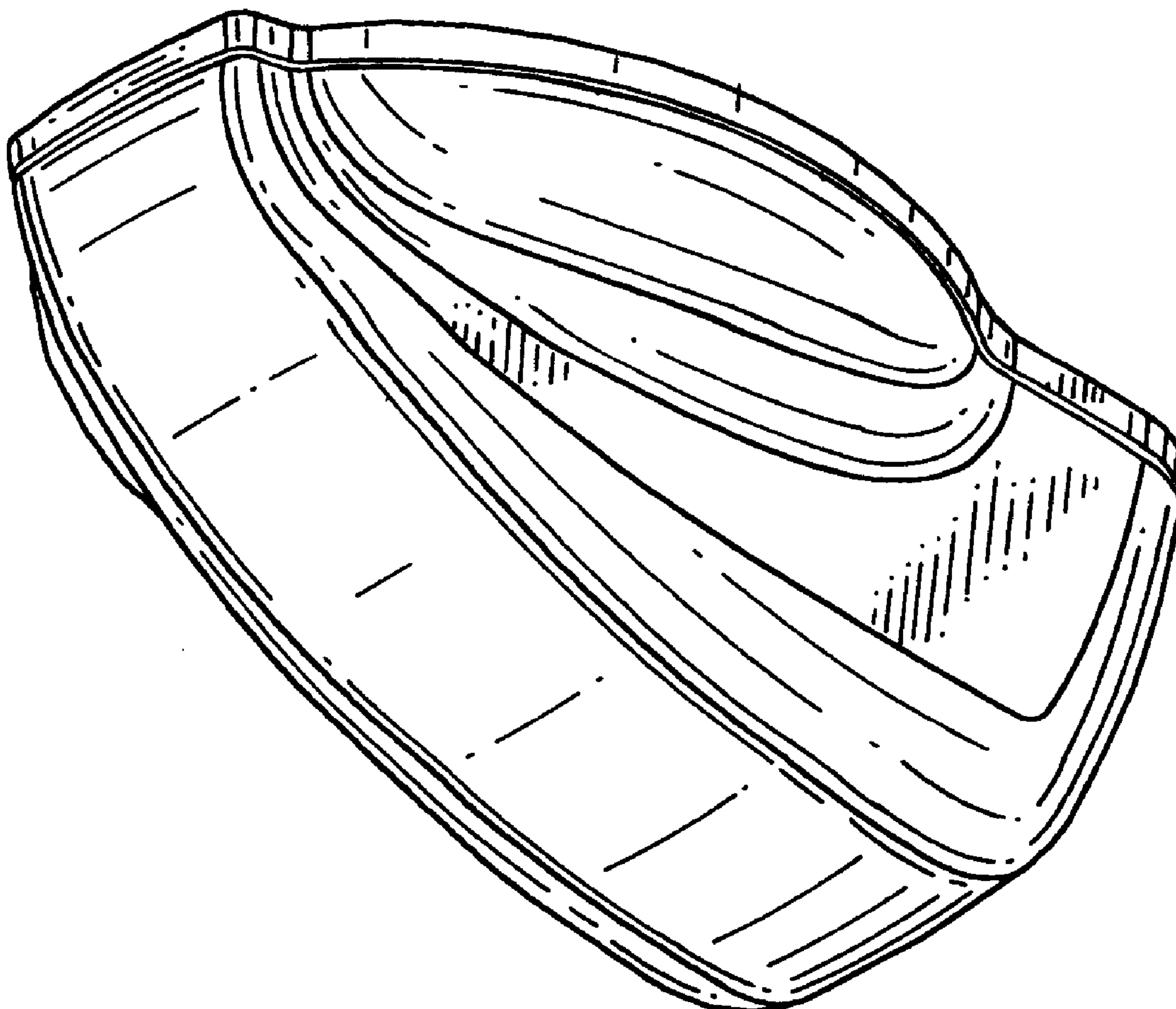
FIG. 1 is a top perspective of the antenna enclosure;
FIG. 2 is a left side elevation of the antenna enclosure;
FIG. 3 is a back side elevation of the antenna enclosure;
FIG. 4 is a bottom perspective of the antenna enclosure;
FIG. 5 is a top plan view of the antenna enclosure;
FIG. 6 is a right side elevation of the antenna enclosure;
FIG. 7 is a front side elevation of the antenna enclosure; and,
FIG. 8 is a bottom plan view of the antenna enclosure.

[56] **References Cited**

U.S. PATENT DOCUMENTS

D. 371,795 7/1996 Mailandt D14/230
D. 378,592 3/1997 Hartwig et al. D14/230
2,419,480 4/1947 Bryan et al. 343/872
4,471,493 9/1984 Schober 343/702

1 Claim, 2 Drawing Sheets



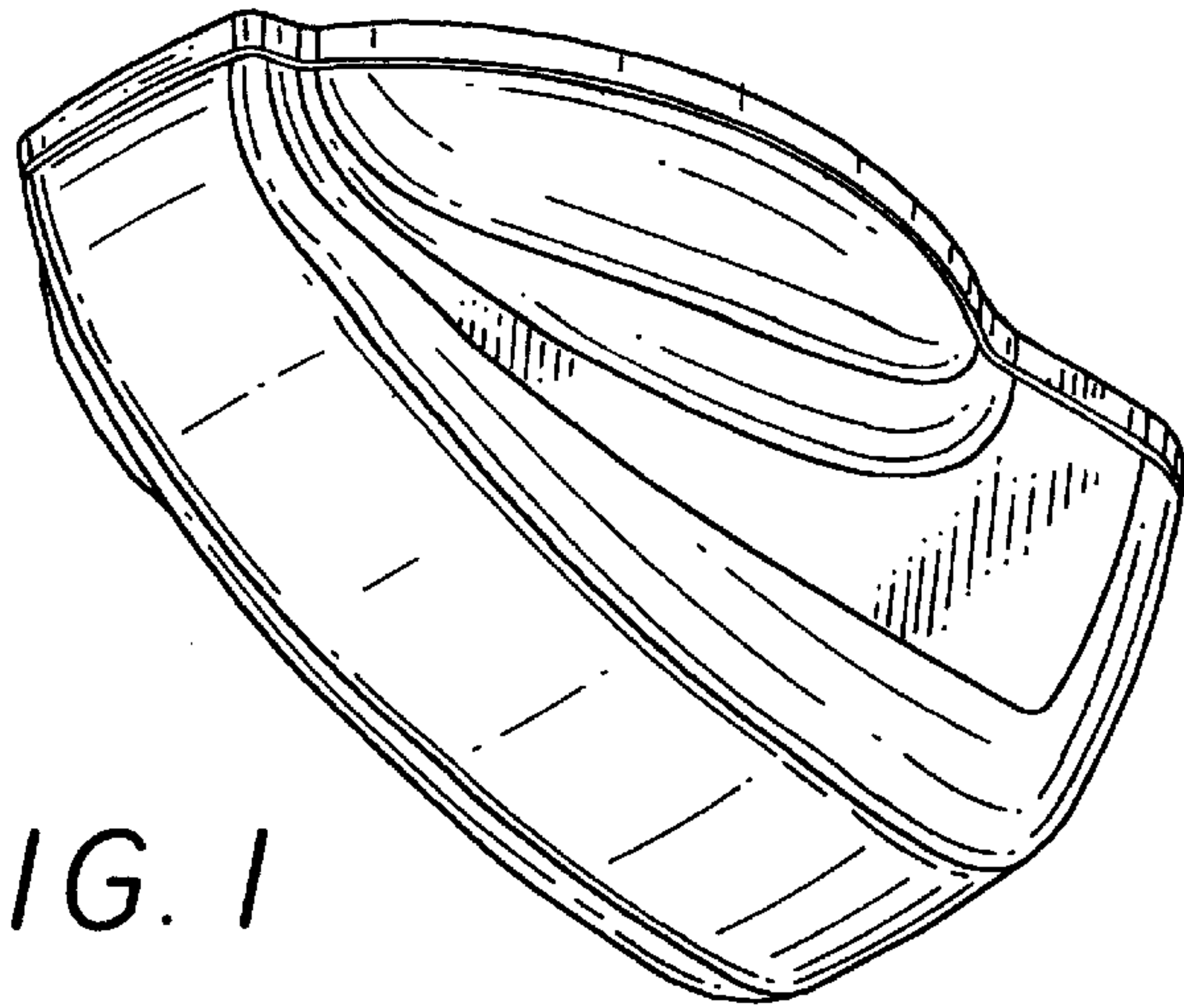


FIG. 1

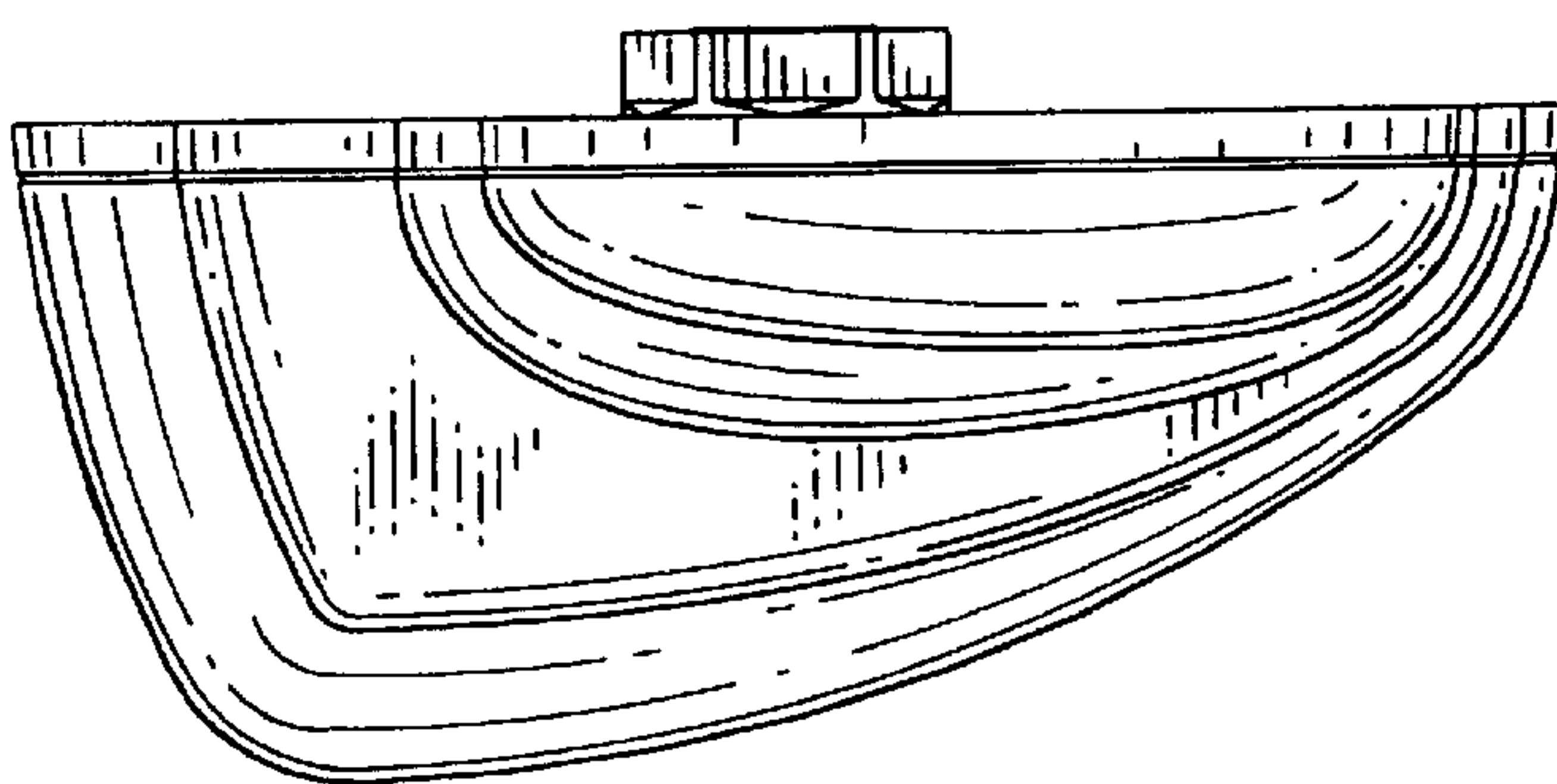


FIG. 2

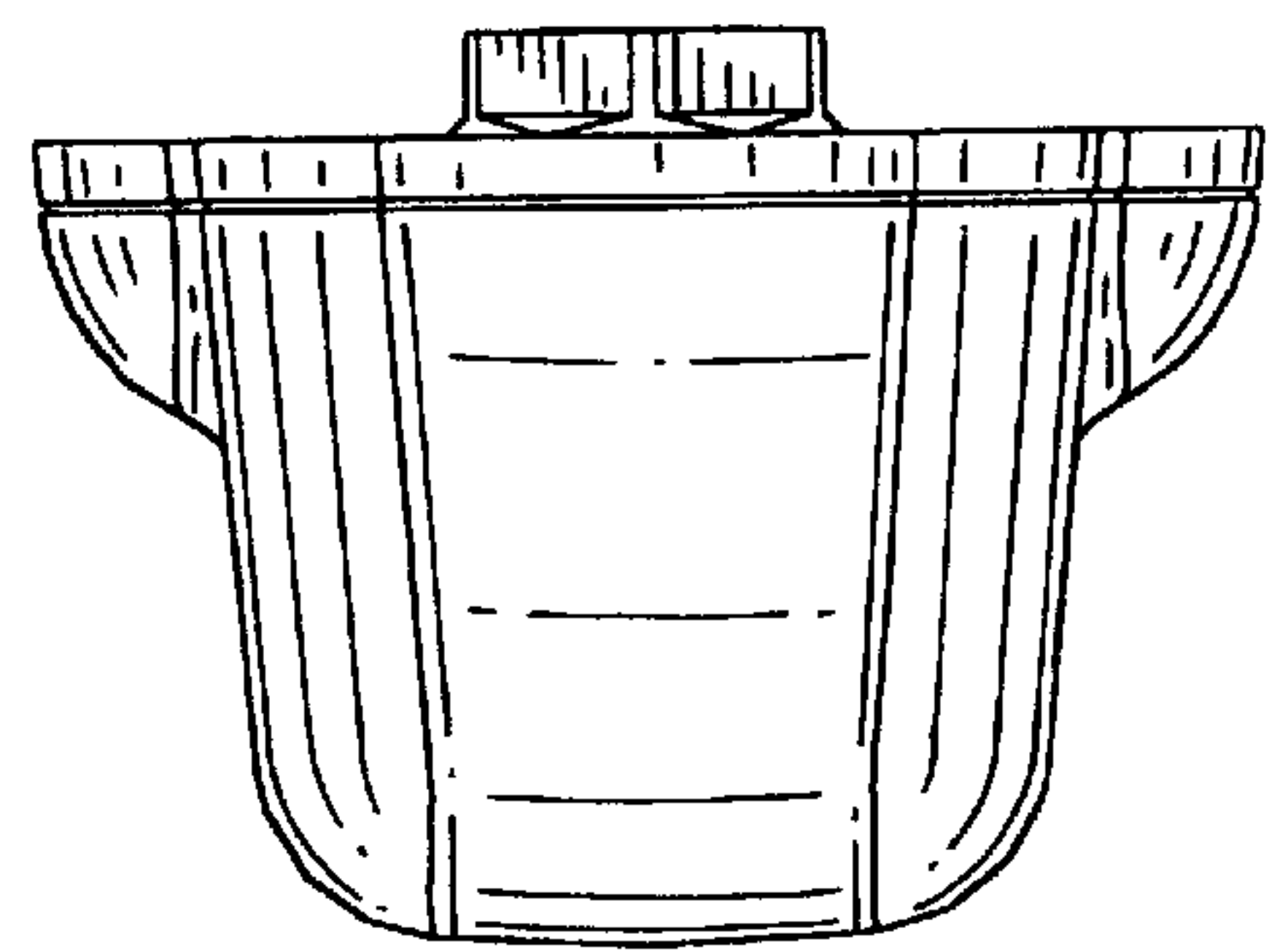


FIG. 3

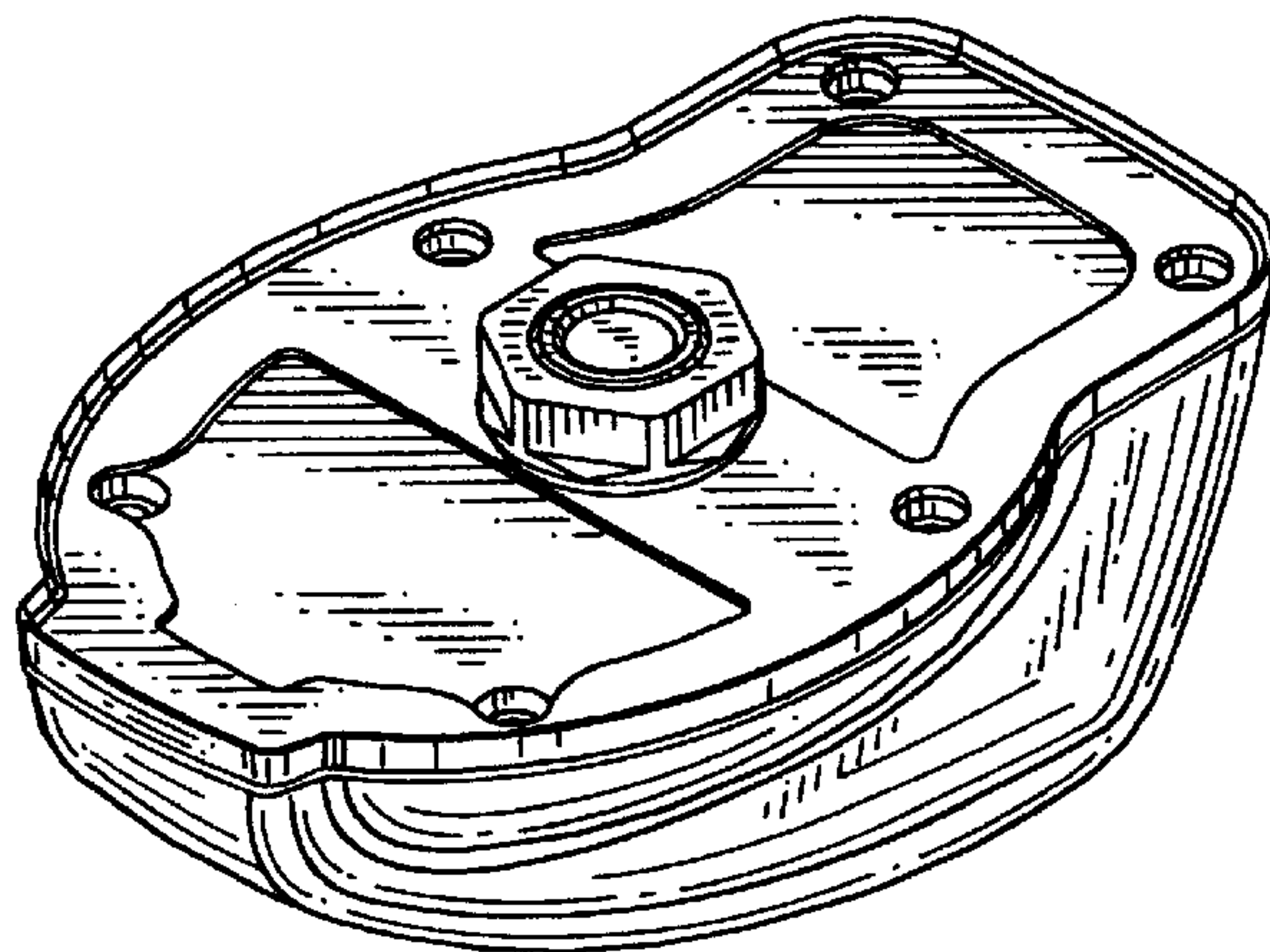


FIG. 4

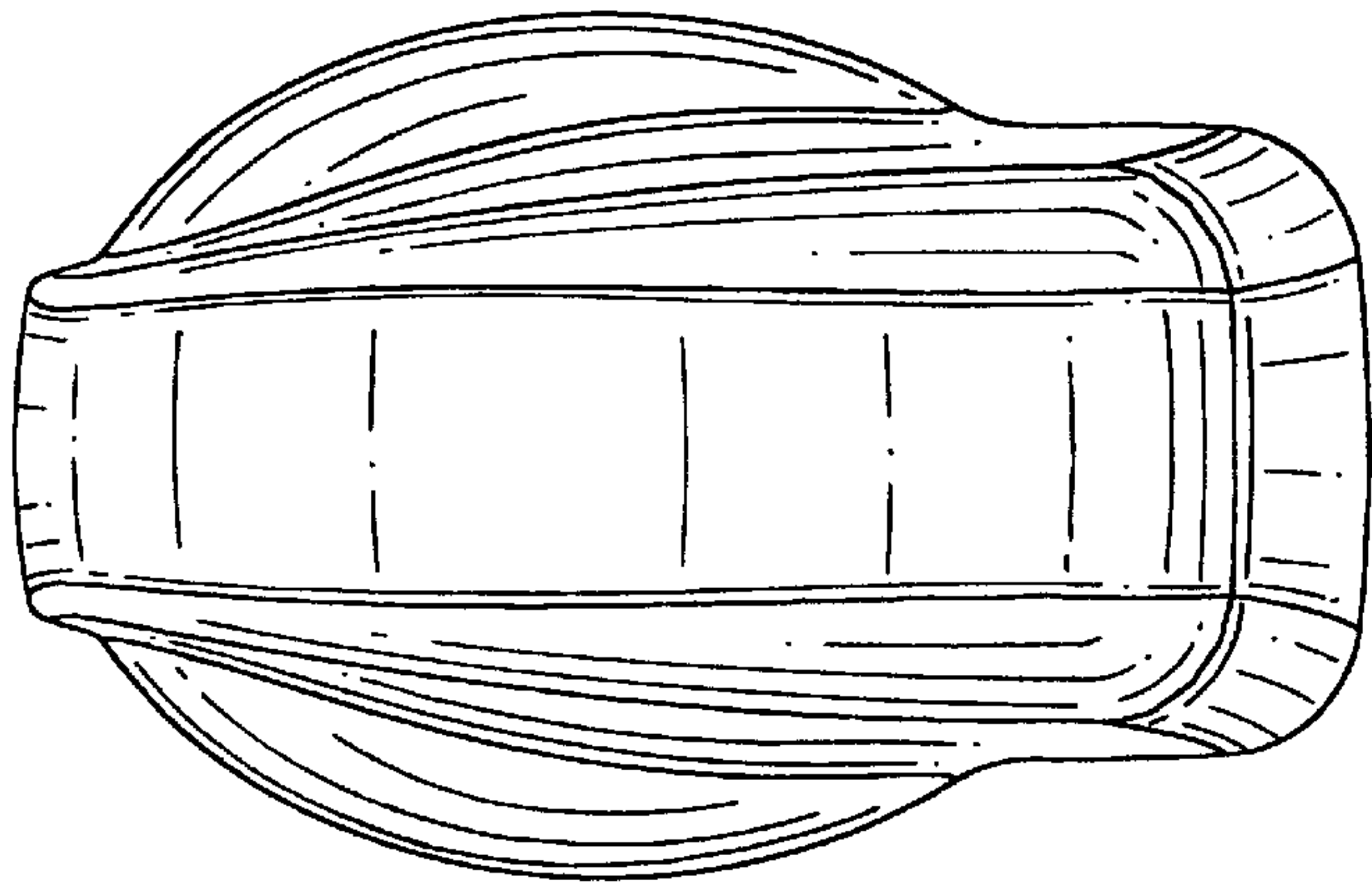


FIG. 5

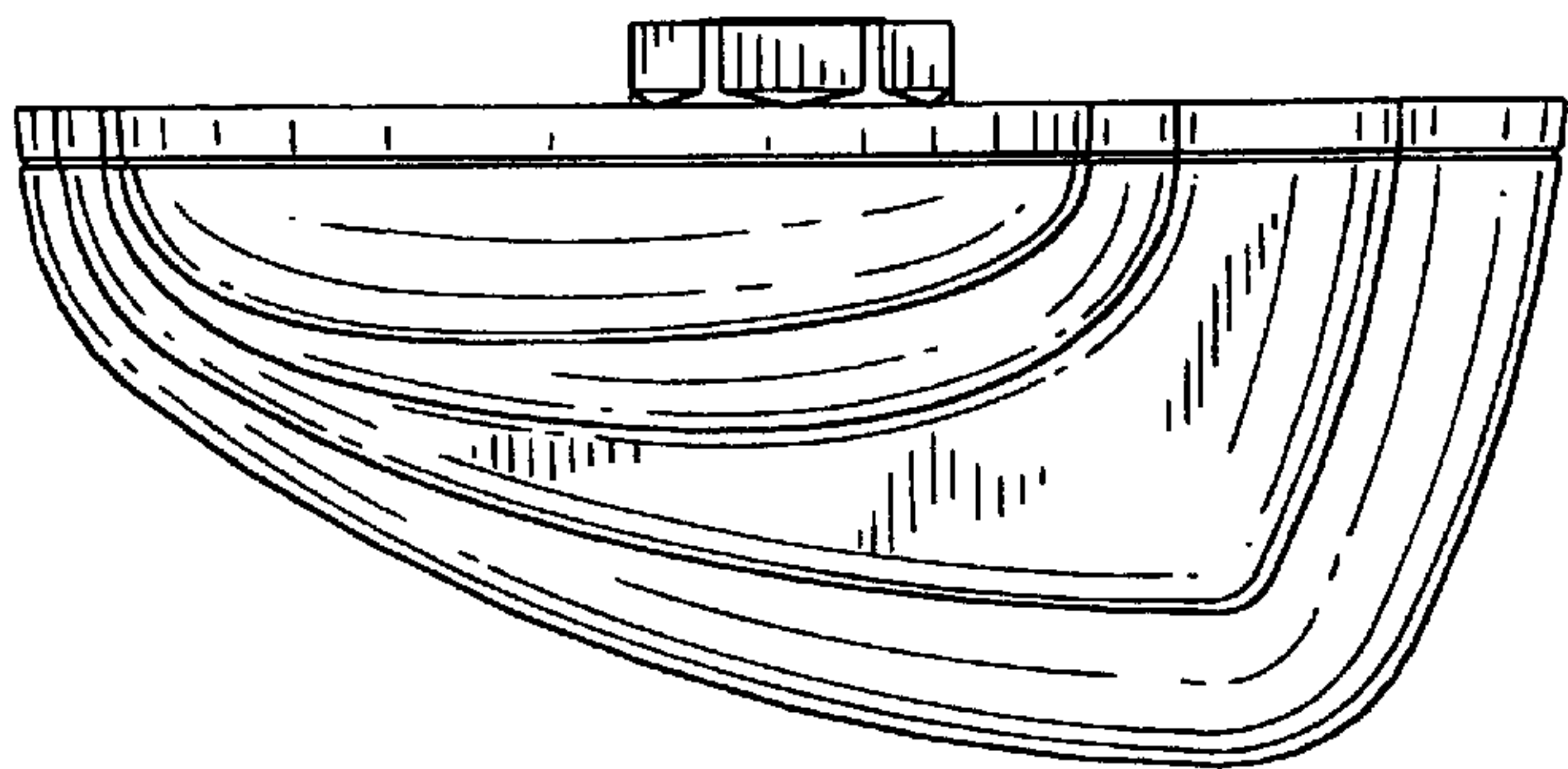


FIG. 6

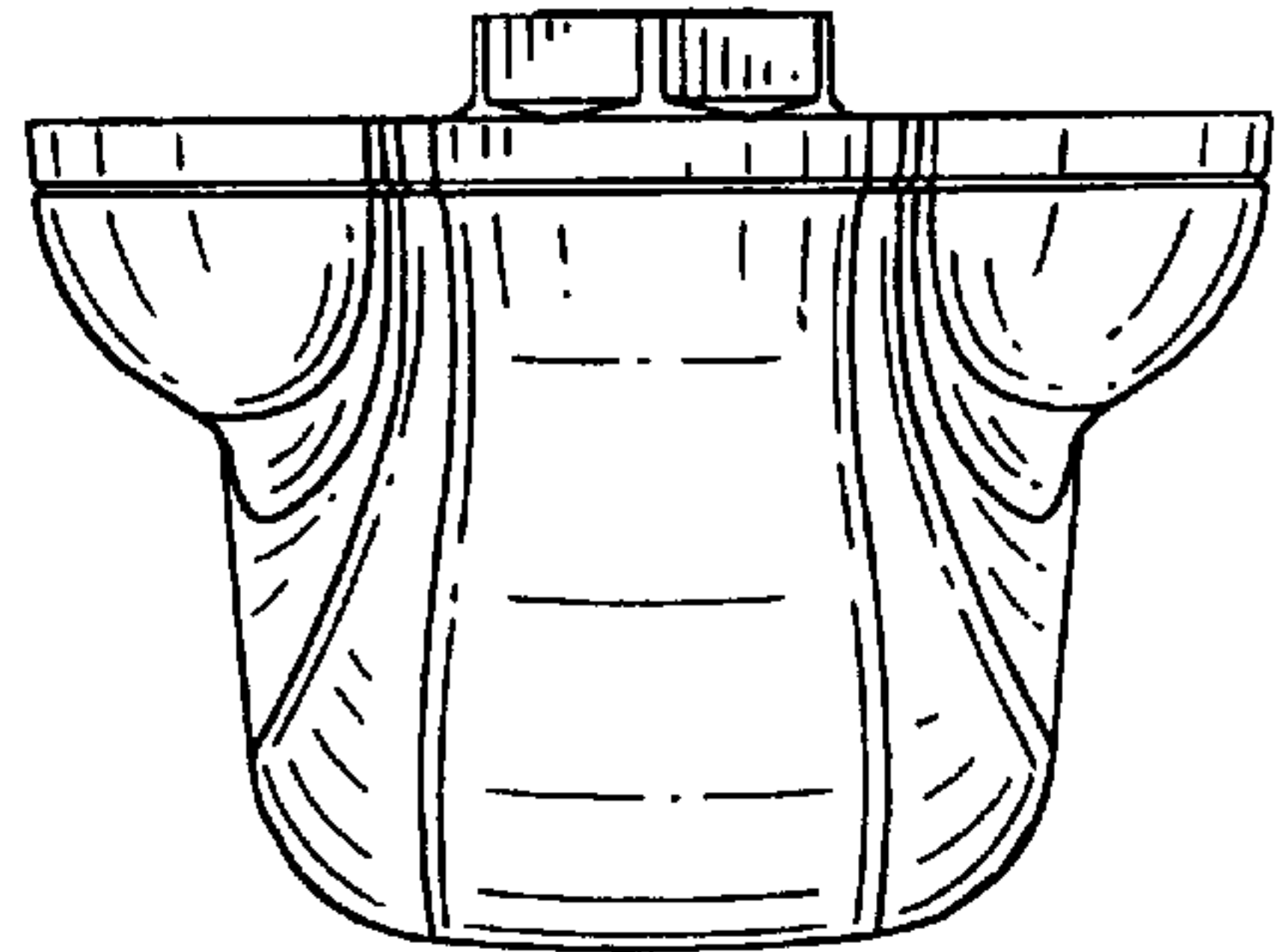


FIG. 7

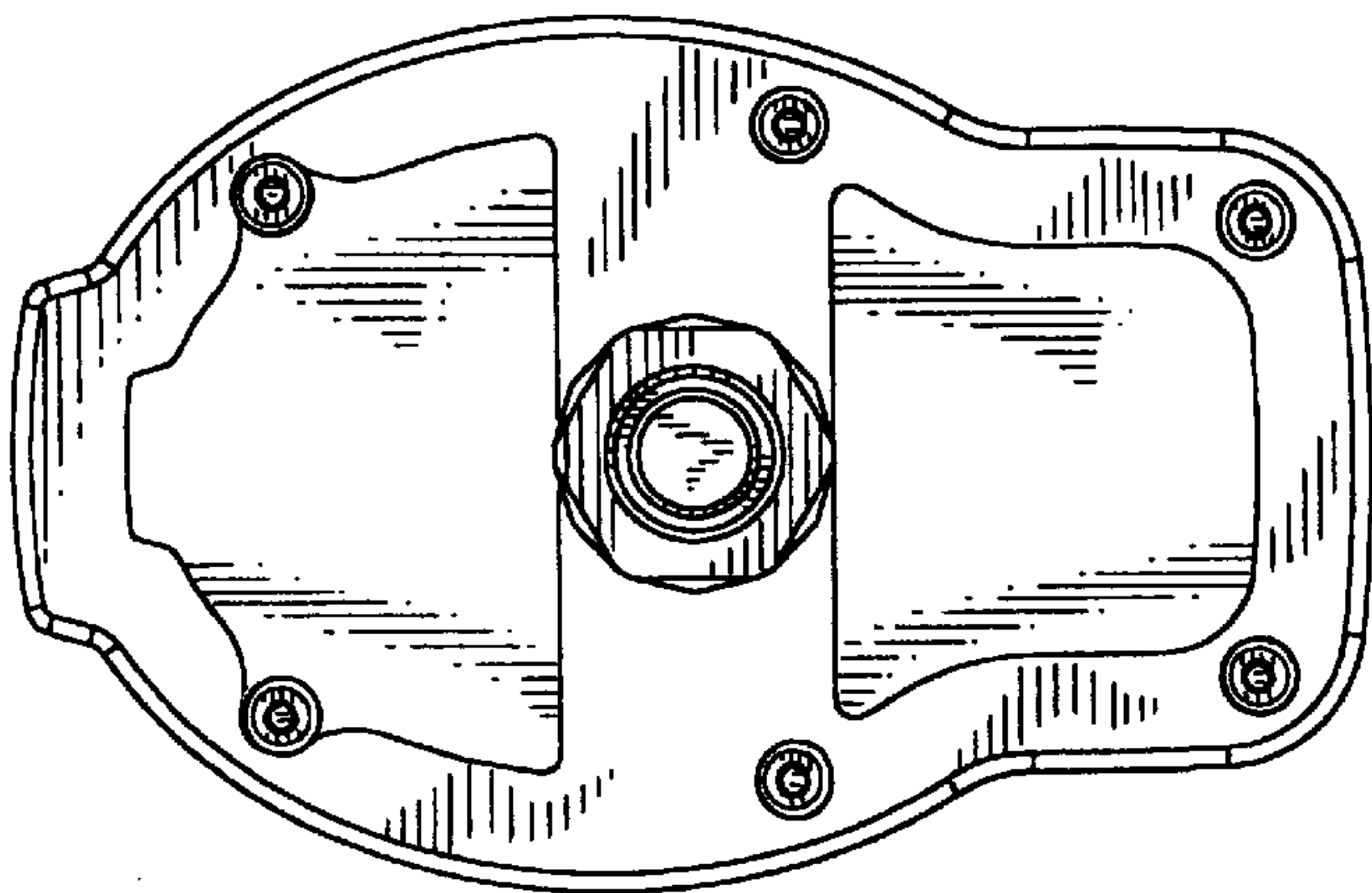


FIG. 8