



US00D429719S

# United States Patent [19]

Kennedy et al.

[11] **Patent Number: Des. 429,719**

[45] **Date of Patent: \*\* Aug. 22, 2000**

[54] **URBAN TRANSIT VEHICLE MICROPHONE HOUSING**

[75] Inventors: **James D. Kennedy; John R. Rowlette, Jr.**, both of Raleigh, N.C.

[73] Assignee: **Digital Recorders, Inc.**, Research Triangle Park, N.C.

[\*\*] Term: **14 Years**

[21] Appl. No.: **29/113,345**

[22] Filed: **Nov. 4, 1999**

[51] **LOC (7) Cl.** ..... **14-01**

[52] **U.S. Cl.** ..... **D14/227**

[58] **Field of Search** ..... D14/225-229, D14/258; 181/158, 242; 381/26, 92, 95, 122, 369

[56] **References Cited**

**U.S. PATENT DOCUMENTS**

D. 280,096 8/1985 Meister ..... D14/226

D. 310,082 8/1990 Kehl et al. .... D14/227  
D. 381,024 7/1997 Hinzmann et al. .... D14/225  
D. 403,328 12/1998 Wakefield ..... D14/229  
2,224,974 12/1940 Lyberger ..... 181/158

*Primary Examiner*—Nanda Bondade  
*Attorney, Agent, or Firm*—Thompson & Knight, L.L.P.

[57] **CLAIM**

The ornamental design for an urban transit vehicle microphone housing, as shown and described.

**DESCRIPTION**

FIG. 1 is a perspective view of an urban transit vehicle microphone housing showing our new design;  
FIG. 2 is a front view thereof;  
FIG. 3 is a top view thereof;  
FIG. 4 is a back view thereof;  
FIG. 5 is a side view thereof, the opposite side being a mirror image; and,  
FIG. 6 is a bottom view thereof.

**1 Claim, 2 Drawing Sheets**

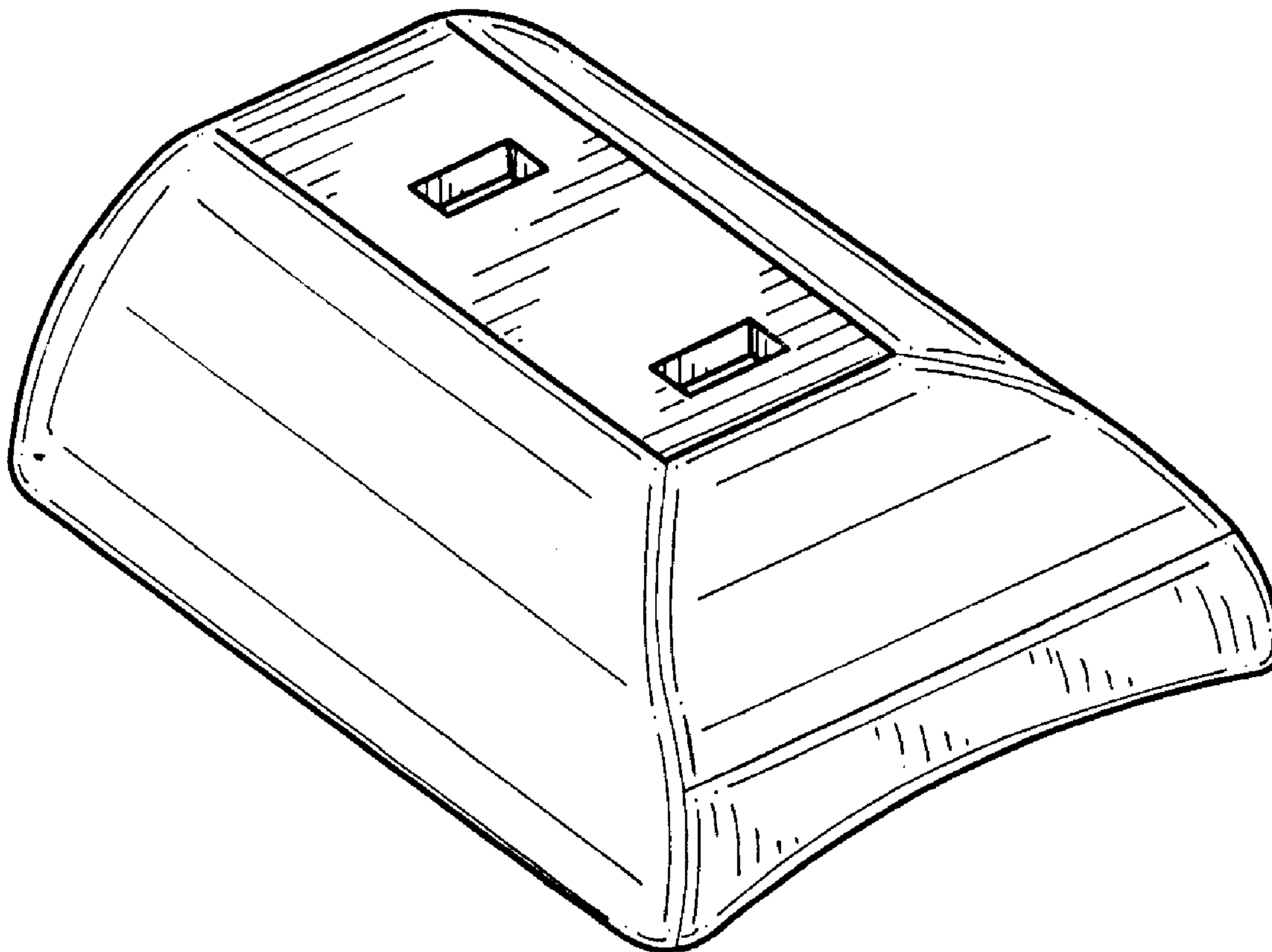


FIG. 1

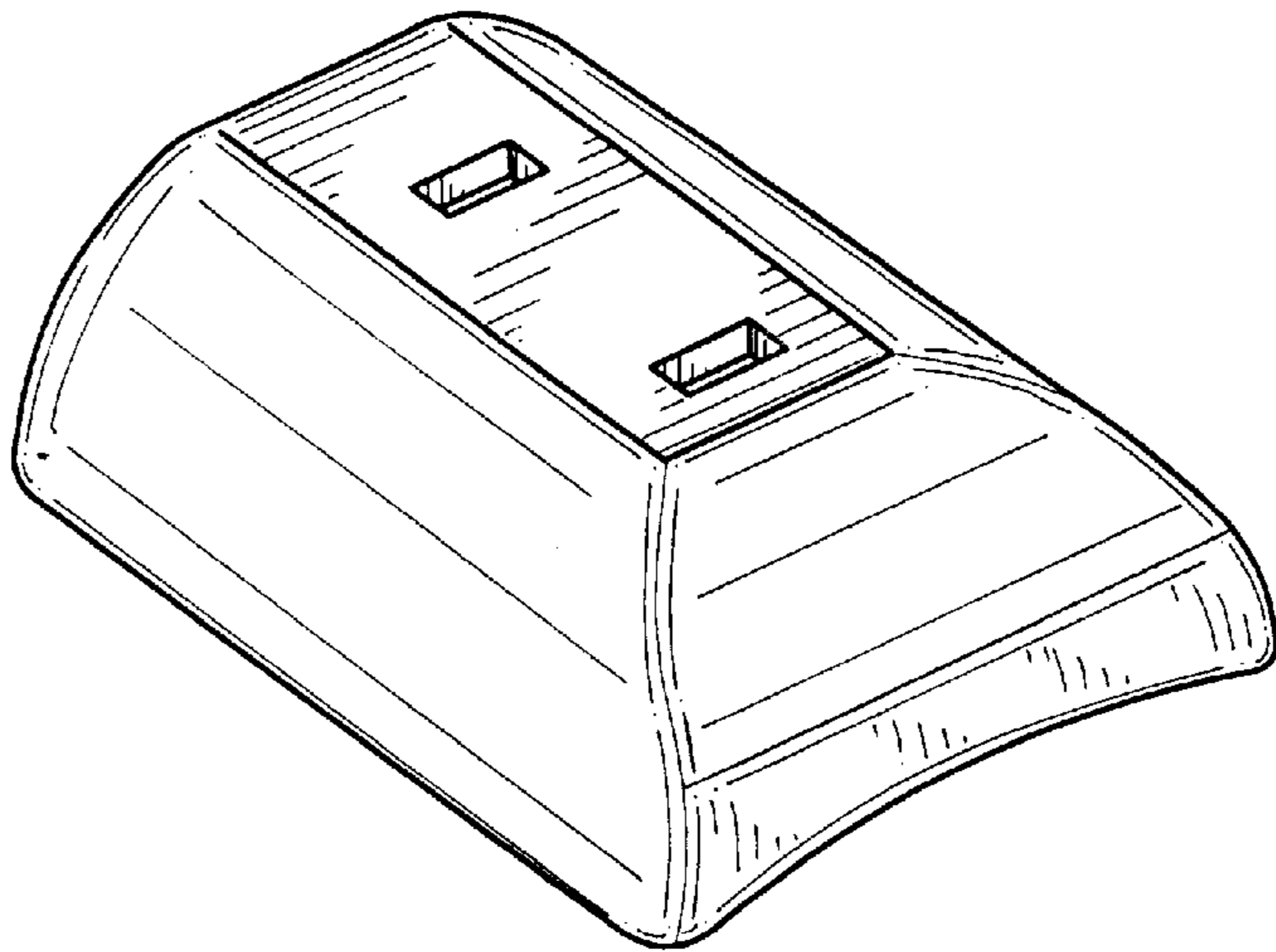


FIG. 6

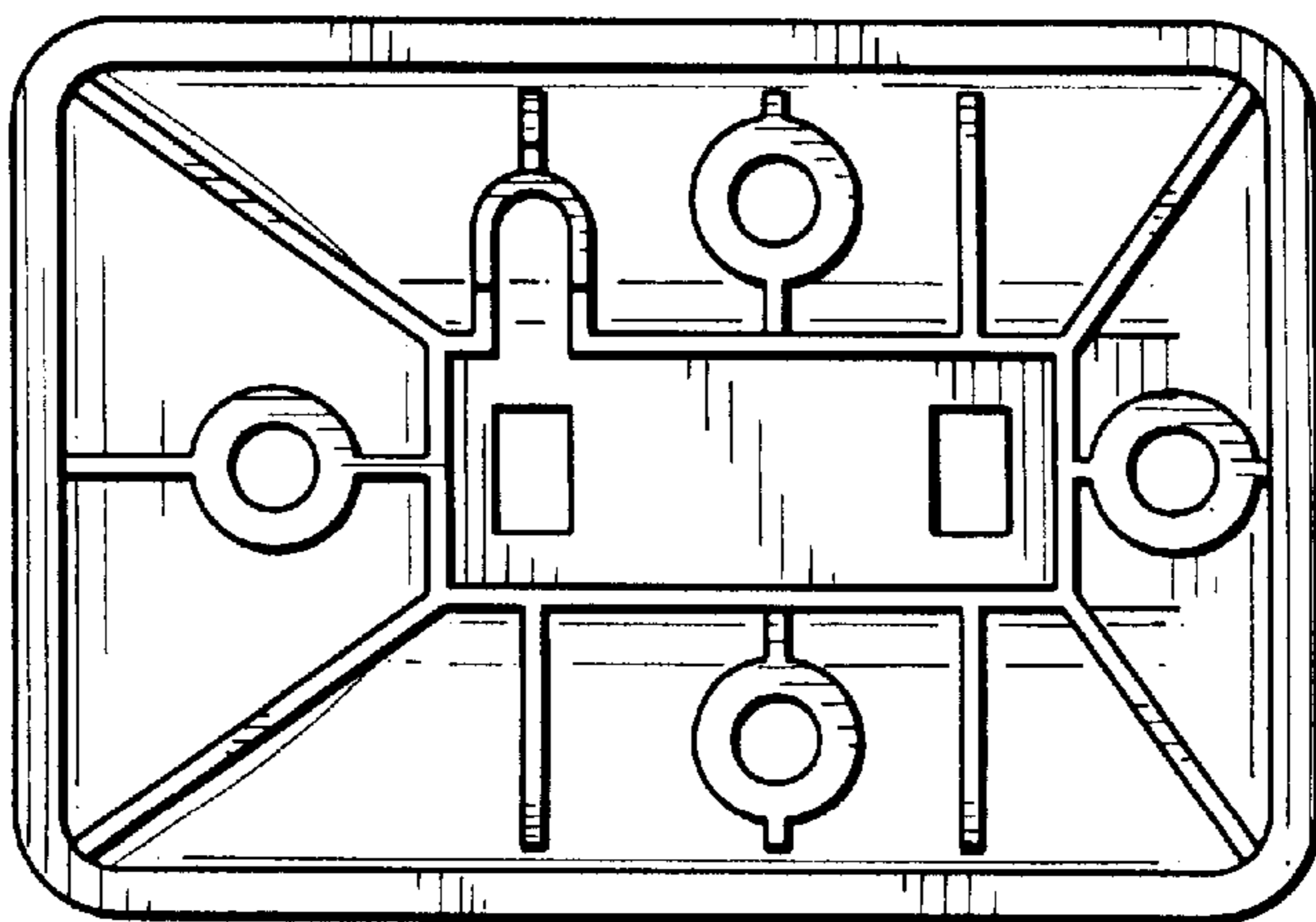


FIG. 2

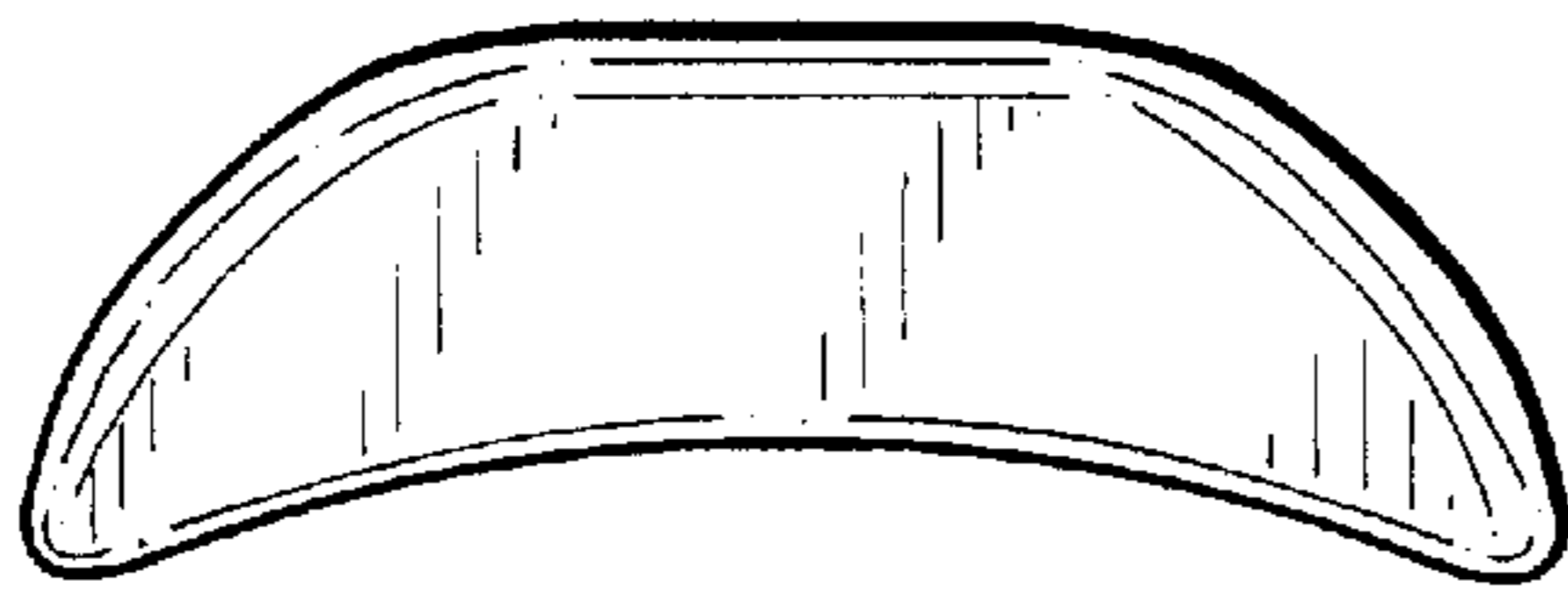


FIG. 3

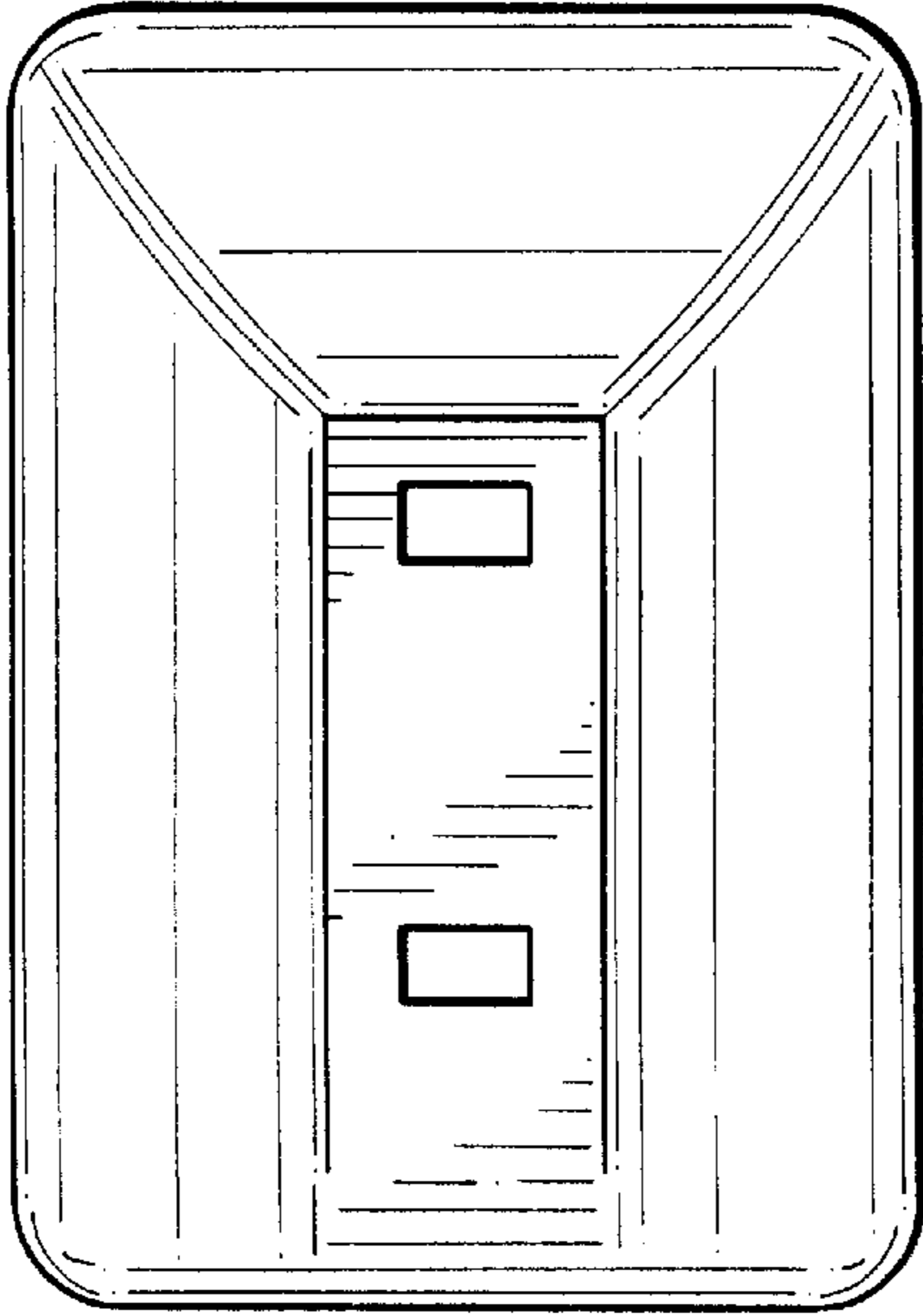


FIG. 4

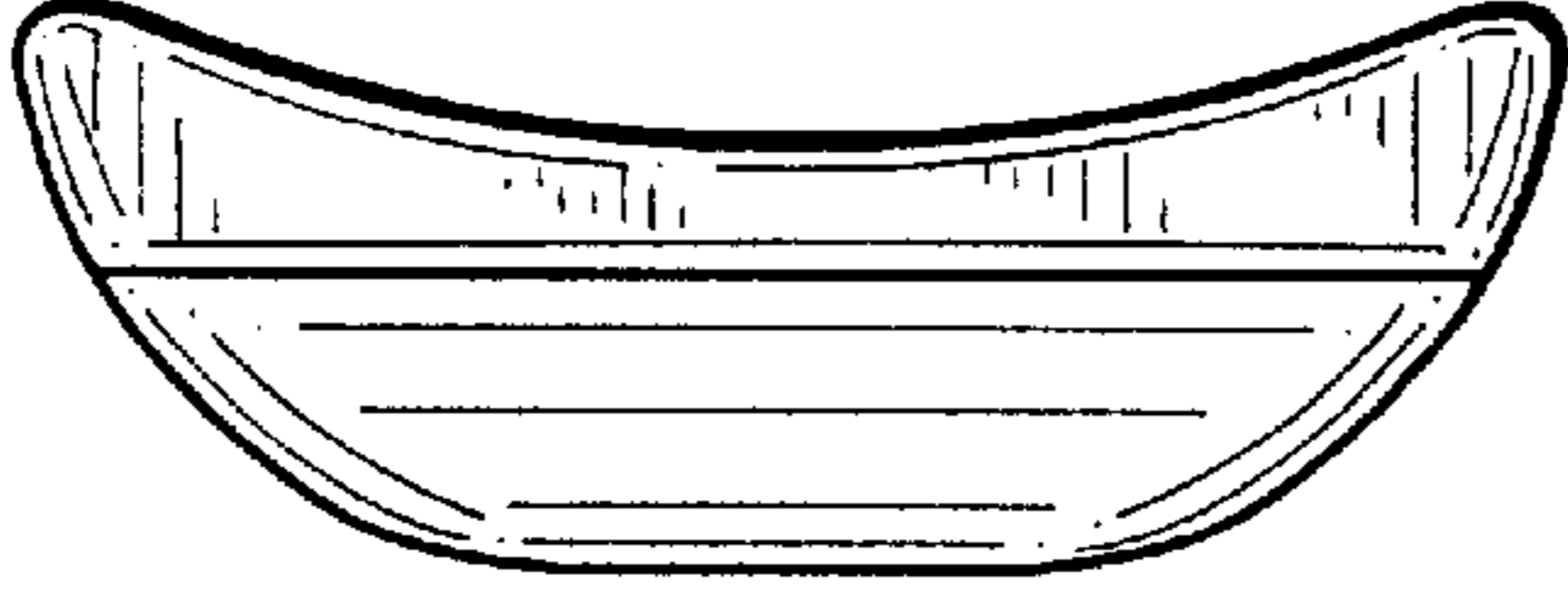


FIG. 5

