



US00D429710S

United States Patent [19] Lalin

[11] Patent Number: **Des. 429,710**

[45] Date of Patent: **** Aug. 22, 2000**

[54] **PAY TELEPHONE**

5,483,583 1/1996 Chen 379/146

[76] Inventor: **Gary S. Lalin**, 2416 Vanderbilt La.,
Redondo Beach, Calif. 90278

Primary Examiner—Jeffrey Asch
Attorney, Agent, or Firm—Robert J. Schaap

[**] Term: **14 Years**

[57] CLAIM

[21] Appl. No.: **29/092,744**

The ornamental design for a pay telephone, as shown and described.

[22] Filed: **Aug. 26, 1998**

DESCRIPTION

[51] **LOC (7) Cl.** **14-03**

[52] **U.S. Cl.** **D14/146**

[58] **Field of Search** D14/140, 142,
D14/146, 150, 151, 240; 379/419, 420,
428, 440, 434-436, 453, 368, 143-155;
D99/28

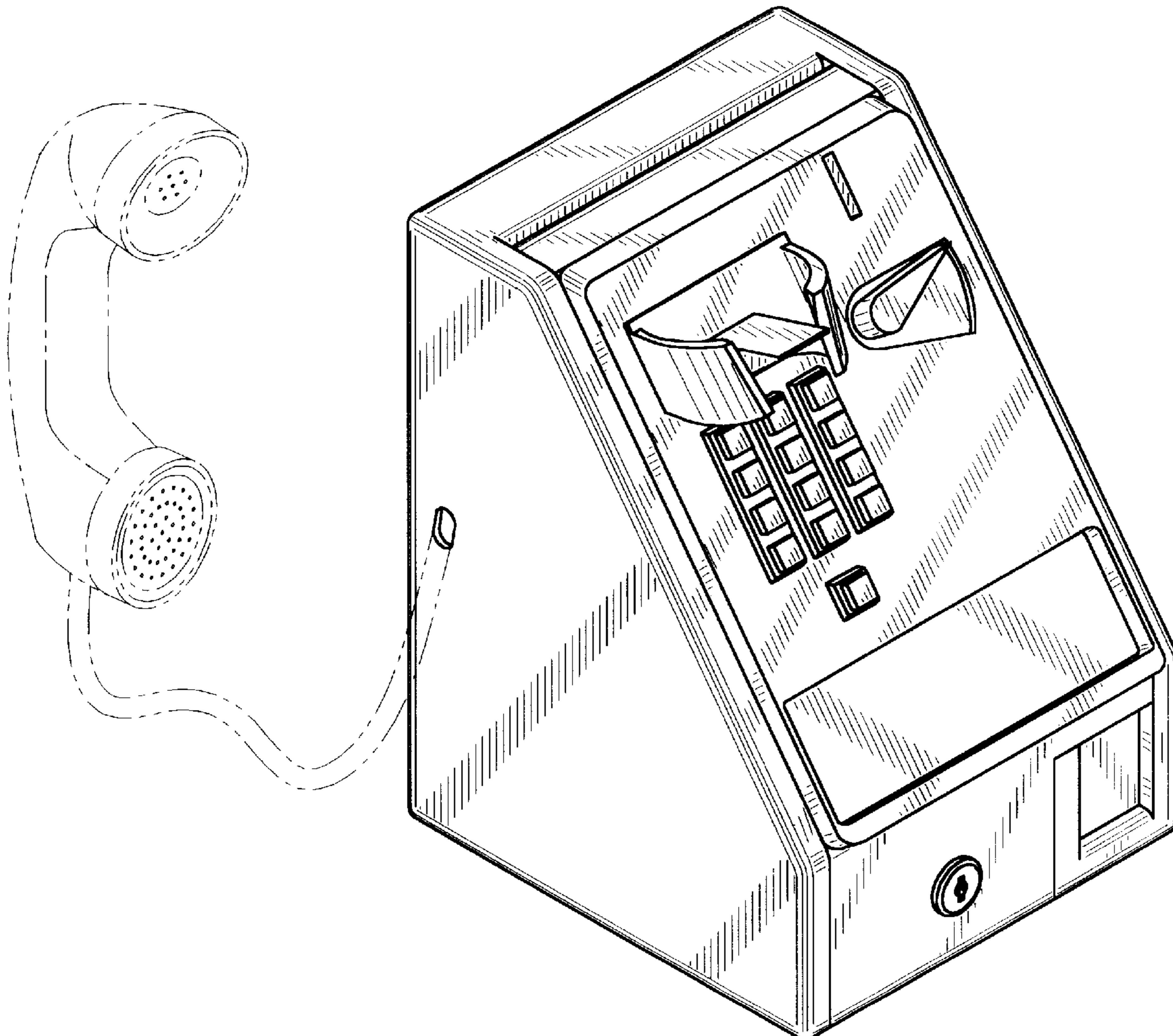
FIG. 1 is a perspective view of a pay telephone in accordance with the design of the present invention;
FIG. 2 is a front elevational view of the pay telephone in accordance with the present invention;
FIG. 3 is a rear elevational view of the pay telephone in accordance with the present invention;
FIG. 4 is a side elevational view of the pay telephone;
FIG. 5 is an opposite side elevational view of the pay telephone;
FIG. 6 is a top plan view of the pay telephone; and,
FIG. 7 is a bottom plan view of the pay telephone.
The broken line showings of FIG. 1 are for illustrative purposes only and form no part of the claimed design.

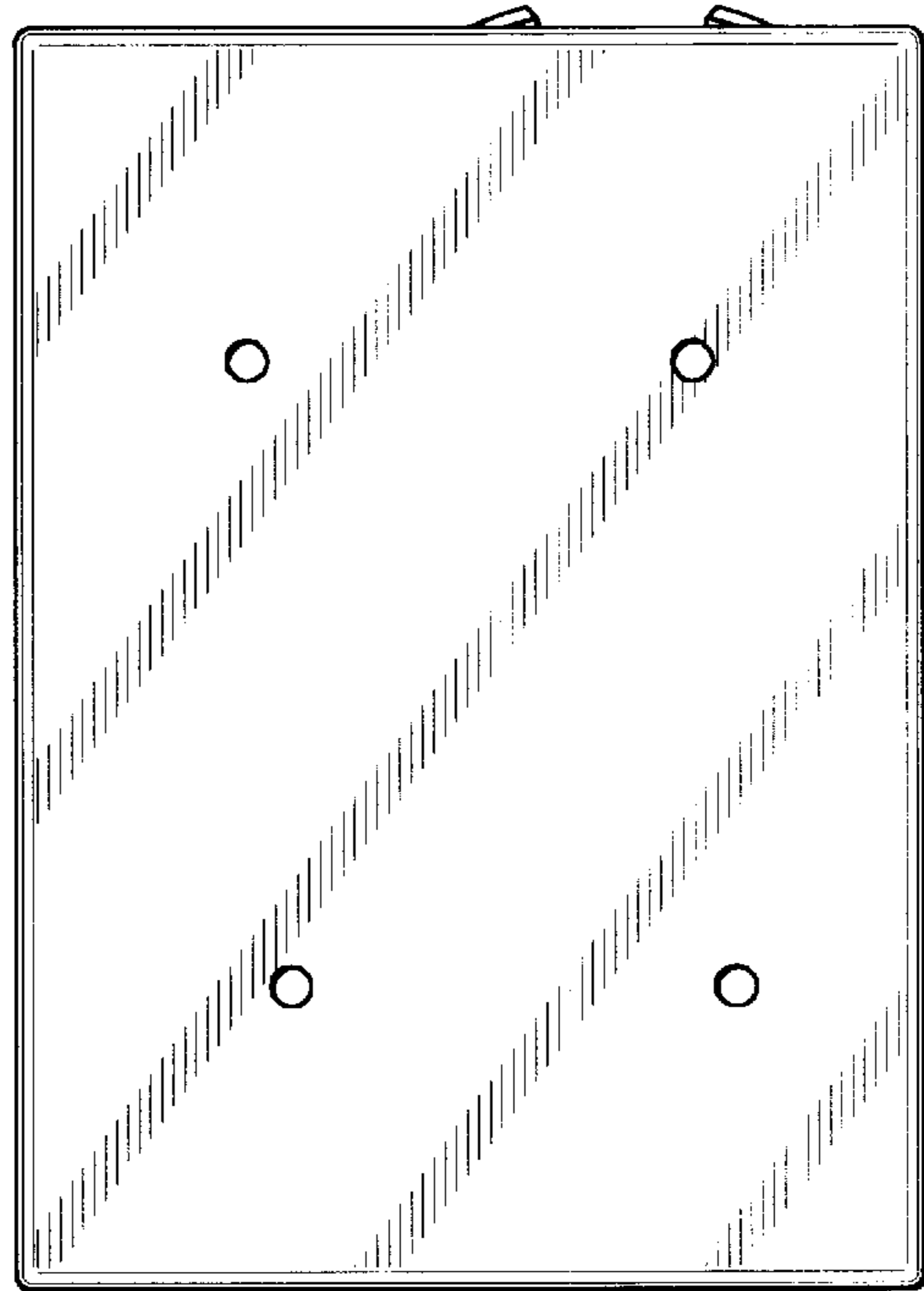
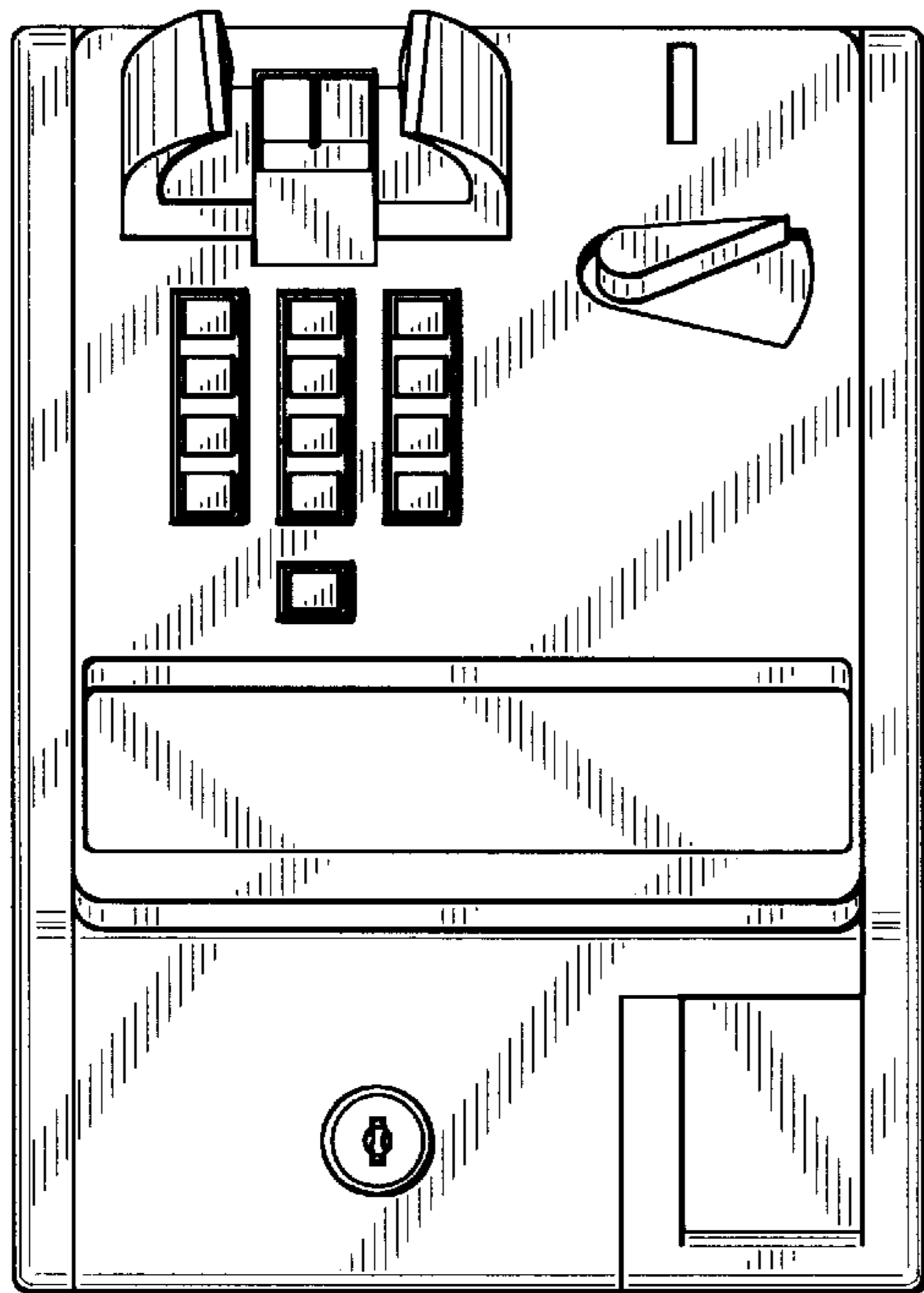
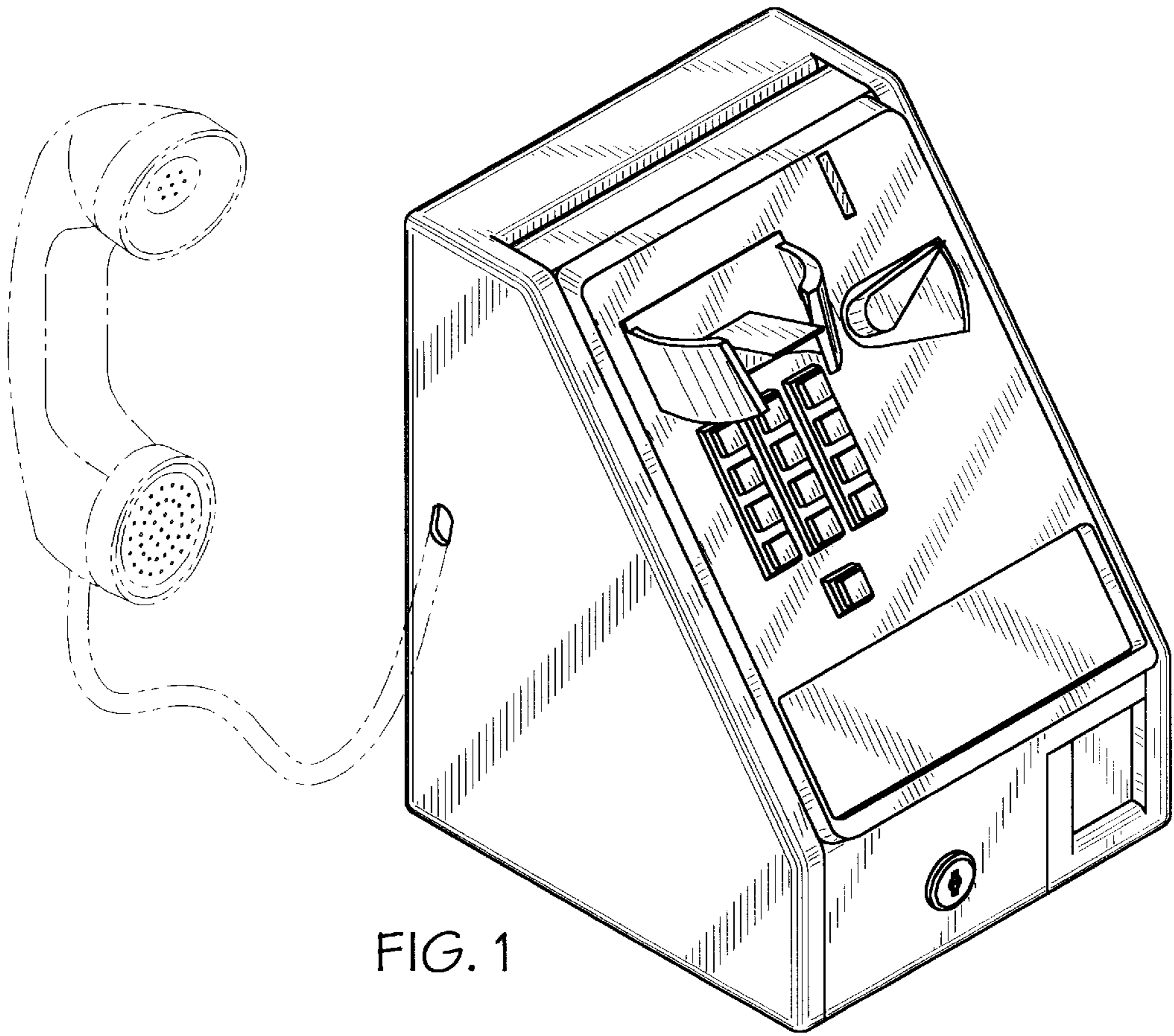
[56] References Cited

U.S. PATENT DOCUMENTS

D. 233,611	11/1974	Kramer	D14/146
D. 305,332	1/1990	Schremmer et al.	D14/146
D. 306,443	3/1990	Su	D14/146
D. 324,519	3/1992	Chen	D14/146
D. 389,817	1/1998	Umestu	D14/107
4,815,123	3/1989	McGough	379/153

1 Claim, 2 Drawing Sheets





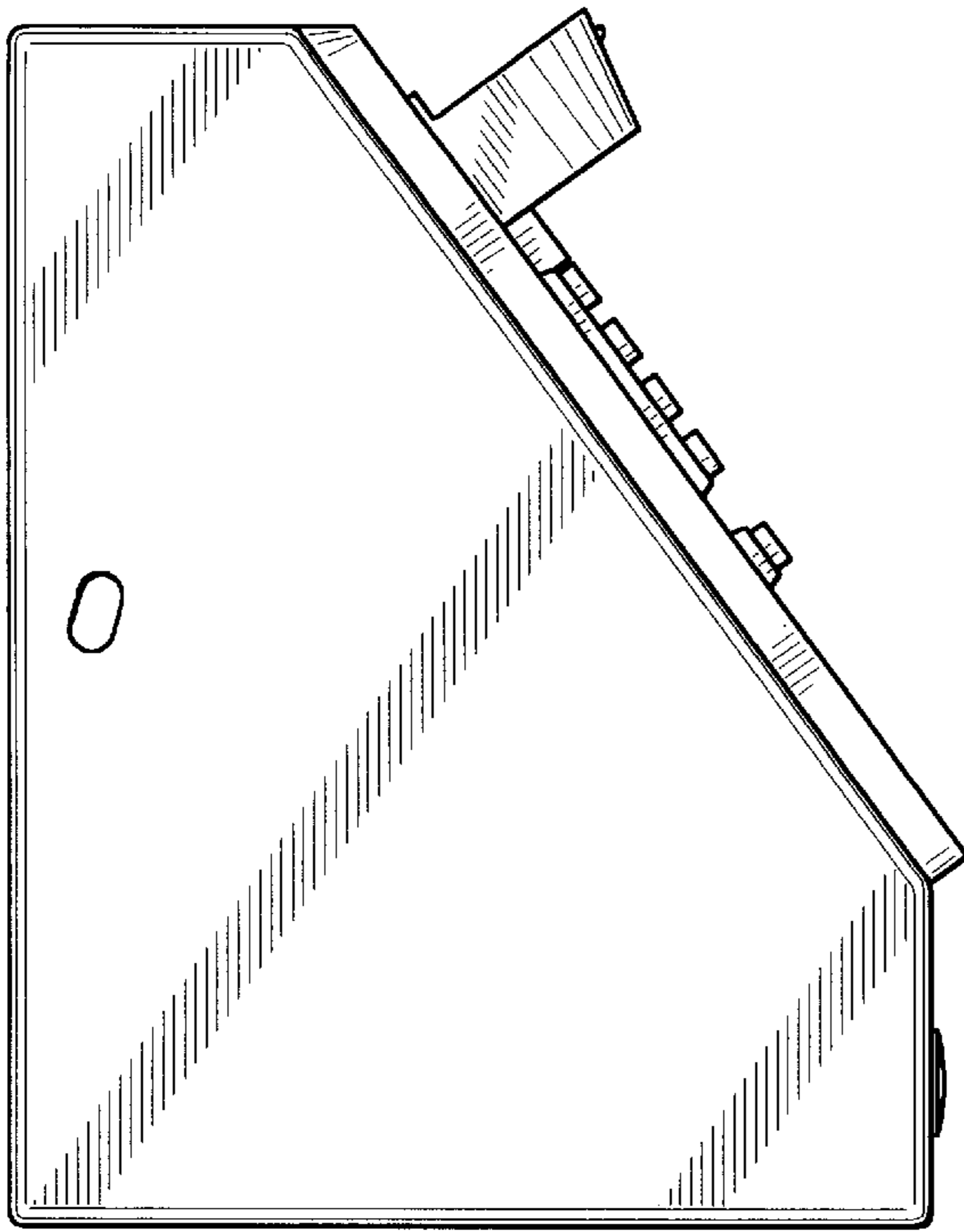


FIG. 4

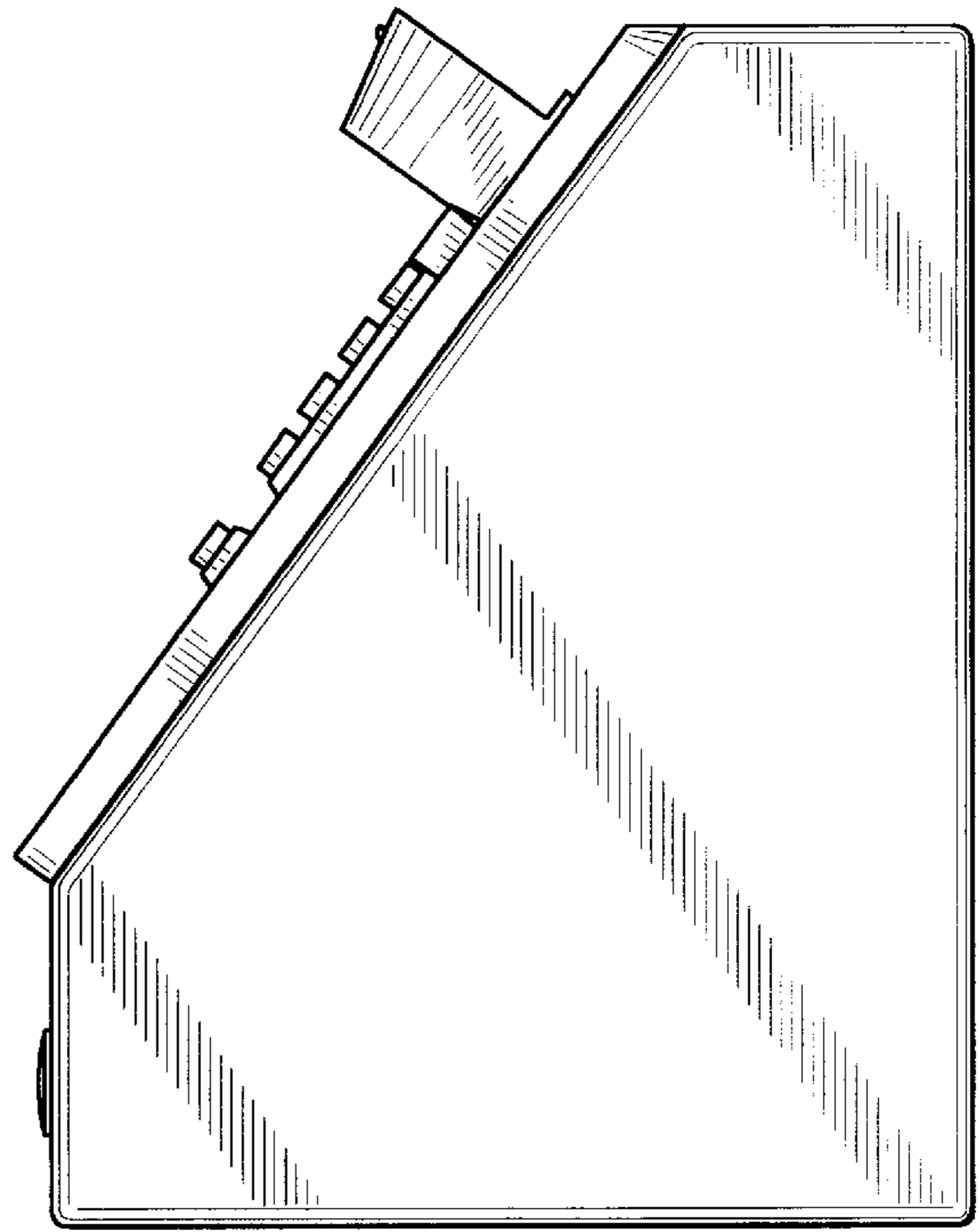


FIG. 5

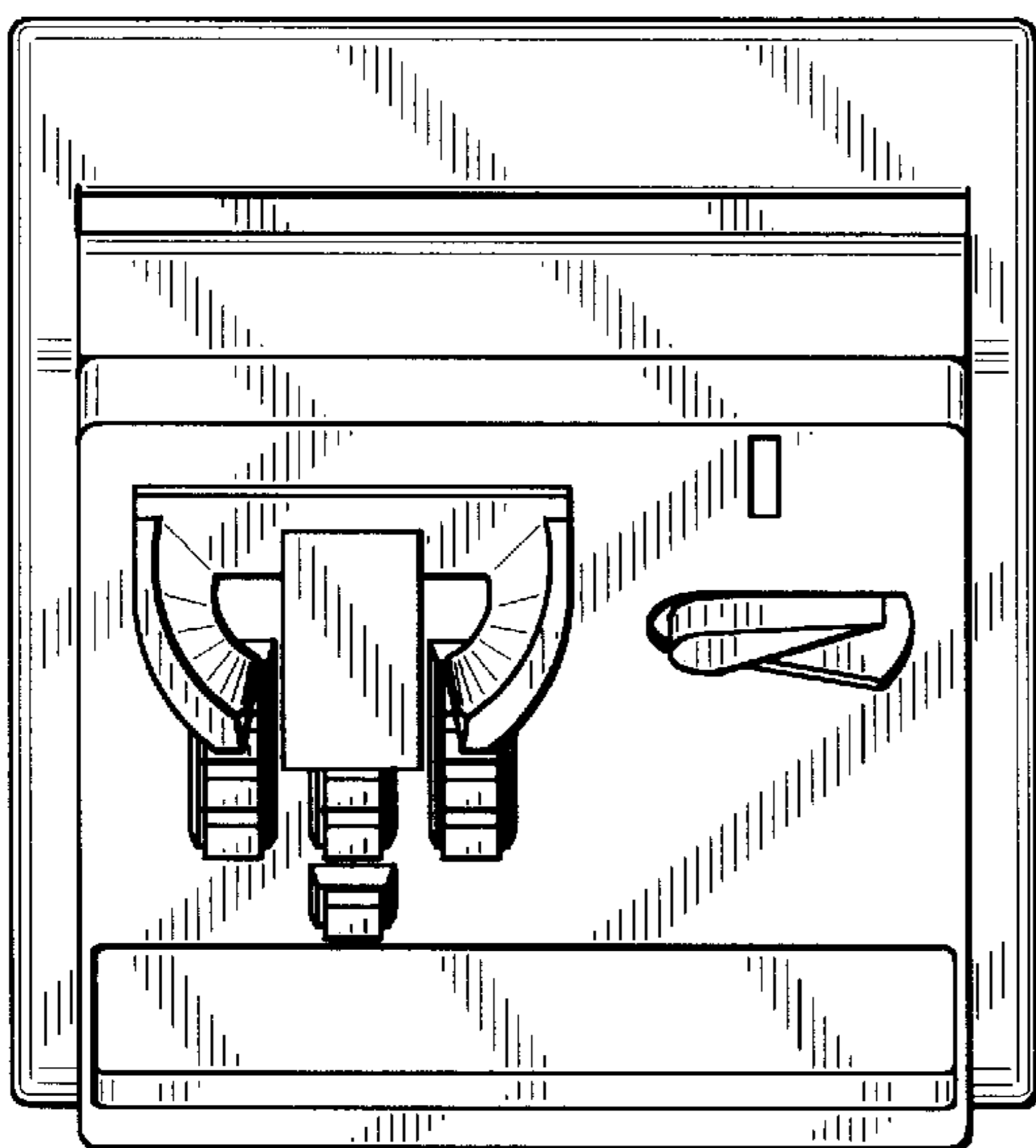


FIG. 6

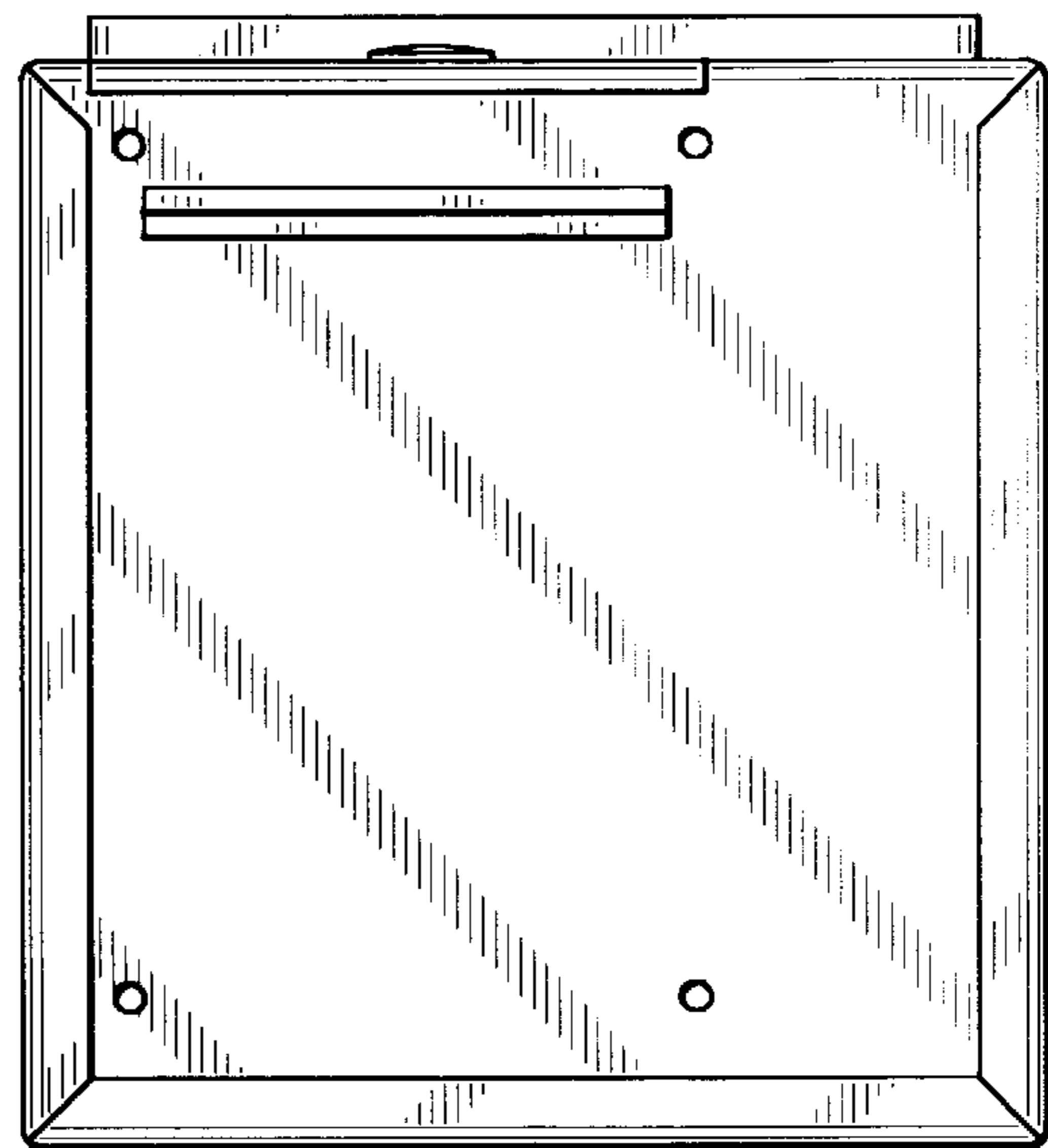


FIG. 7