



US00D429701S

United States Patent [19]

[11] **Patent Number: Des. 429,701**

Maruta et al.

[45] **Date of Patent: ** Aug. 22, 2000**

[54] **REMOTE CONTROLLER FOR SECURITY SYSTEMS**

Attorney, Agent, or Firm—Wenderoth, Lind & Ponack, L.L.P.

[75] Inventors: **Koji Maruta; Yasuhiko Matsumoto; Takashi Yamamoto; Shinichi Horiike; Susumu Yamamoto**, all of Shiga, Japan

[57] **CLAIM**

The ornamental design for a remote controller for security systems, as shown and described.

[73] Assignee: **OPTEX Co., Ltd.**, Shiga, Japan

DESCRIPTION

[**] Term: **14 Years**

FIG. 1 is a top plan view of a first embodiment of a remote controller for security systems showing our new design; FIG. 2 is a front elevational view thereof; FIG. 3 is a bottom plan view thereof; FIG. 4 is a rear elevational view thereof; FIG. 5 is a right side elevational view thereof, the undisclosed left side being a mirror image of that shown; FIG. 6 is a front elevational view thereof, with the cover shown in an open position; FIG. 7 is a right side elevational view thereof, with the cover shown in an open position; FIG. 8 is a top, front and right side perspective view thereof, with the cover shown in an open position; FIG. 9 is a front elevational view of a second embodiment of a remote controller for security system showing our new design; and, FIG. 10 is a front elevational view thereof, with the cover shown in an open position. The only difference in appearance between the embodiments is the presence of printed indicia on the front face of the second embodiment.

[21] Appl. No.: **29/112,972**

[22] Filed: **Oct. 28, 1999**

[30] **Foreign Application Priority Data**

Apr. 30, 1999 [JP] Japan 11-11733

[51] **LOC (7) Cl.** **13-03**

[52] **U.S. Cl.** **D13/162**

[58] **Field of Search** D13/162, 164; 200/5 R, 5 A; D10/104, 106; 361/600, 622, 625, 627, 680, 681

[56] **References Cited**

U.S. PATENT DOCUMENTS

- D. 342,683 12/1993 Coehn D13/162 X
- D. 364,573 11/1995 Pearsall D13/162 X
- D. 371,543 7/1996 Van Hout D13/162
- D. 381,633 7/1997 Hiyakumoto et al. D13/162
- 5,237,327 8/1993 Saitoh et al. 200/5 A X

Primary Examiner—Brian N. Vinson

1 Claim, 8 Drawing Sheets

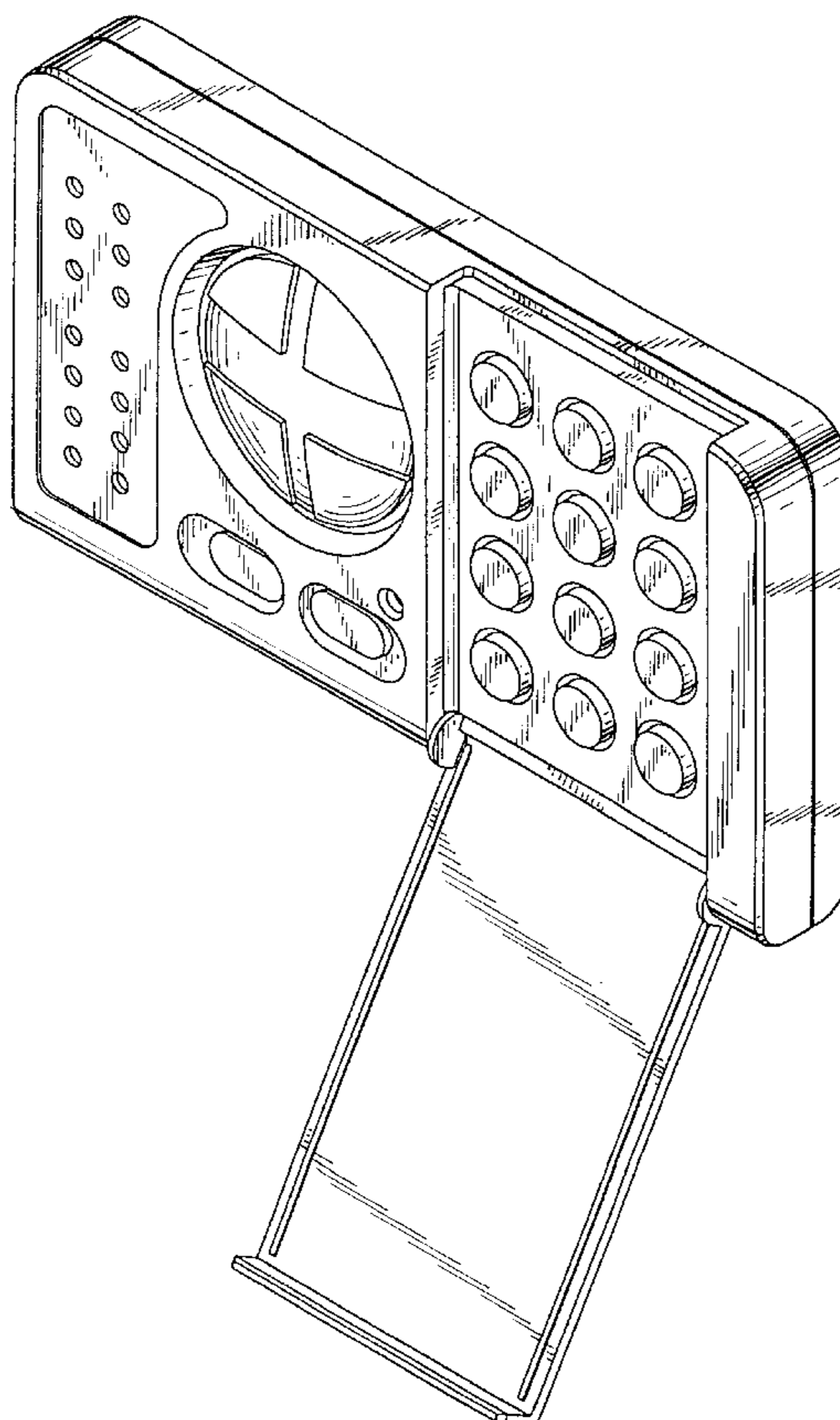


Fig. 1

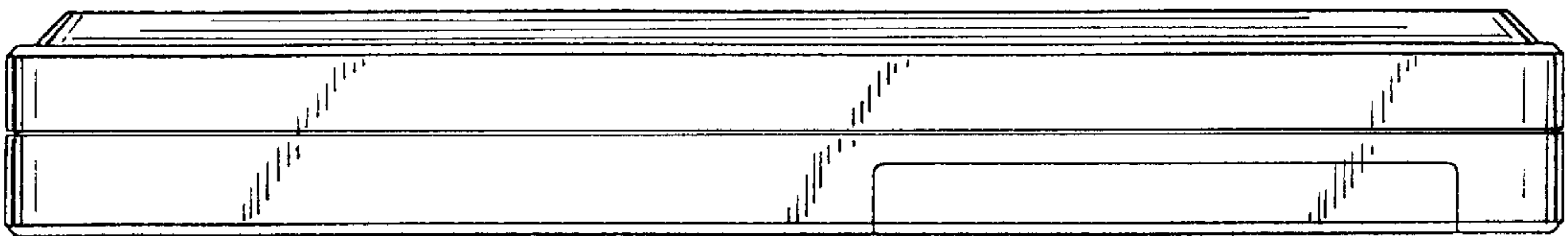


Fig. 2

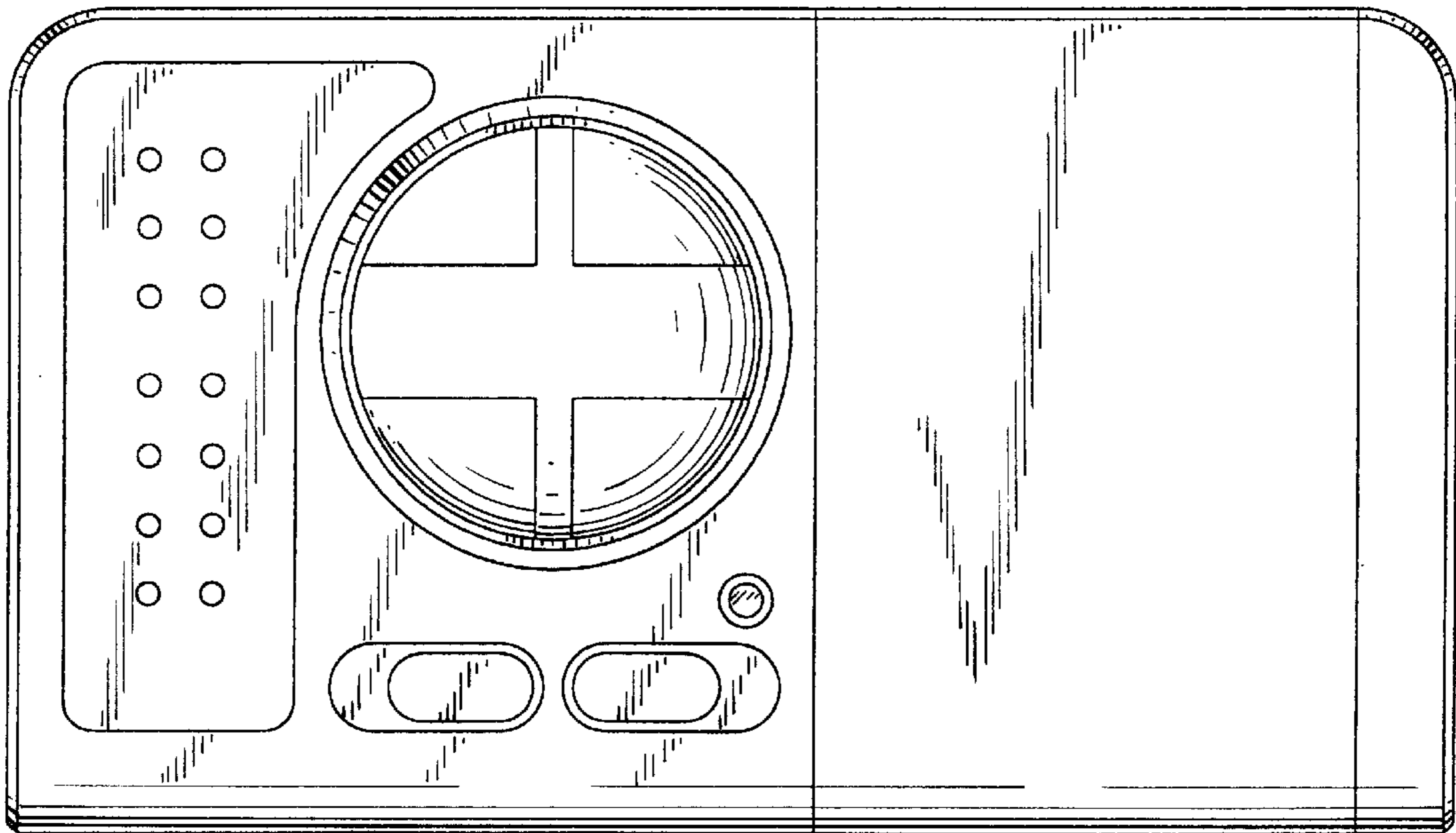


Fig. 3

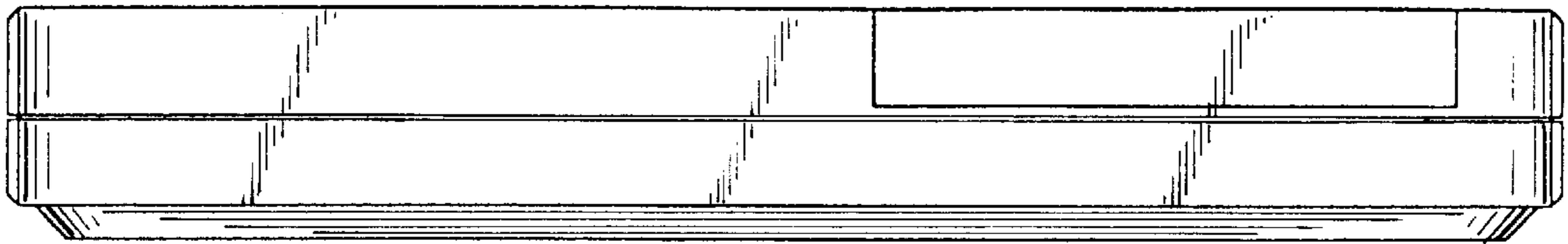


Fig. 4

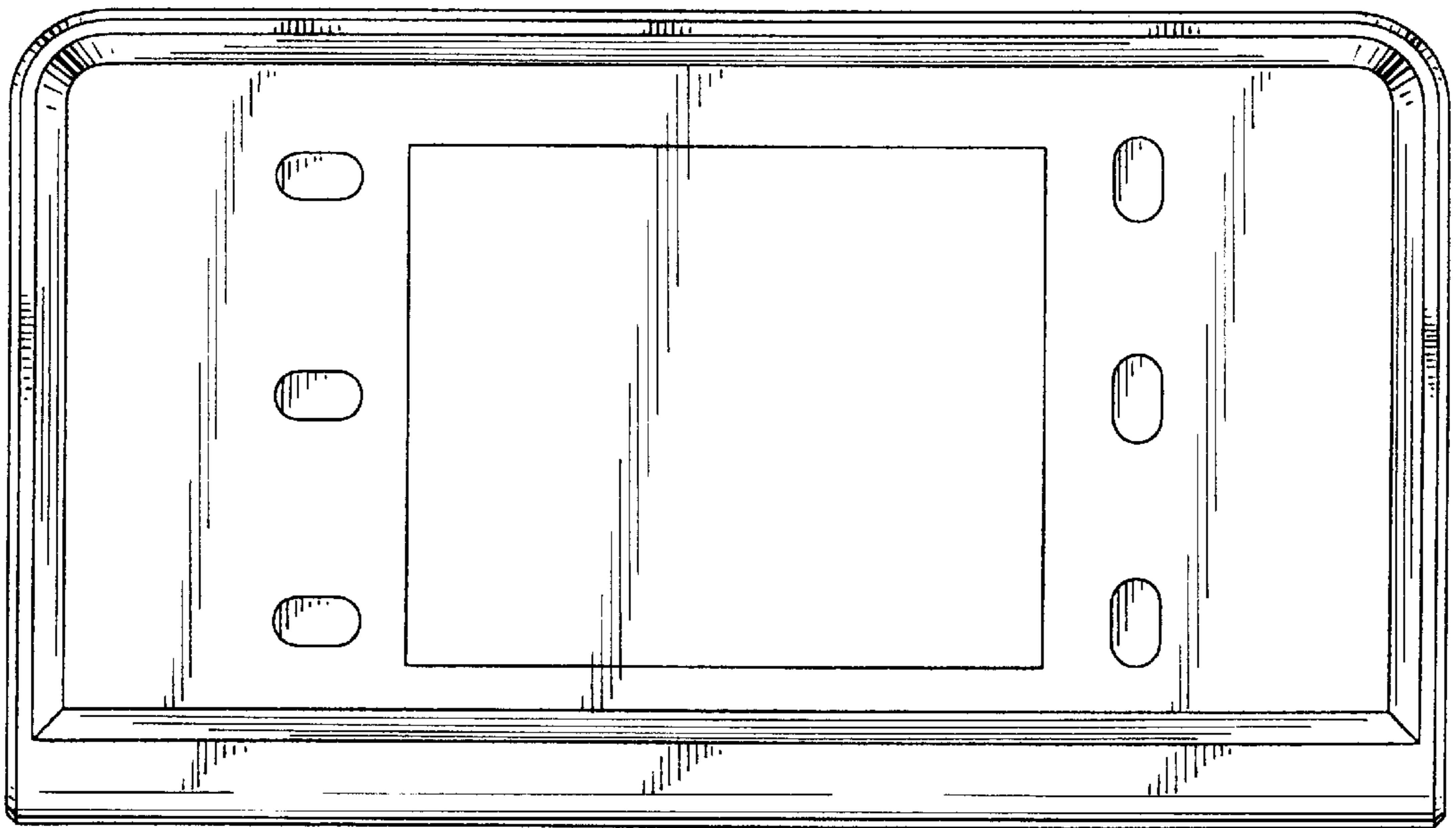


Fig. 5

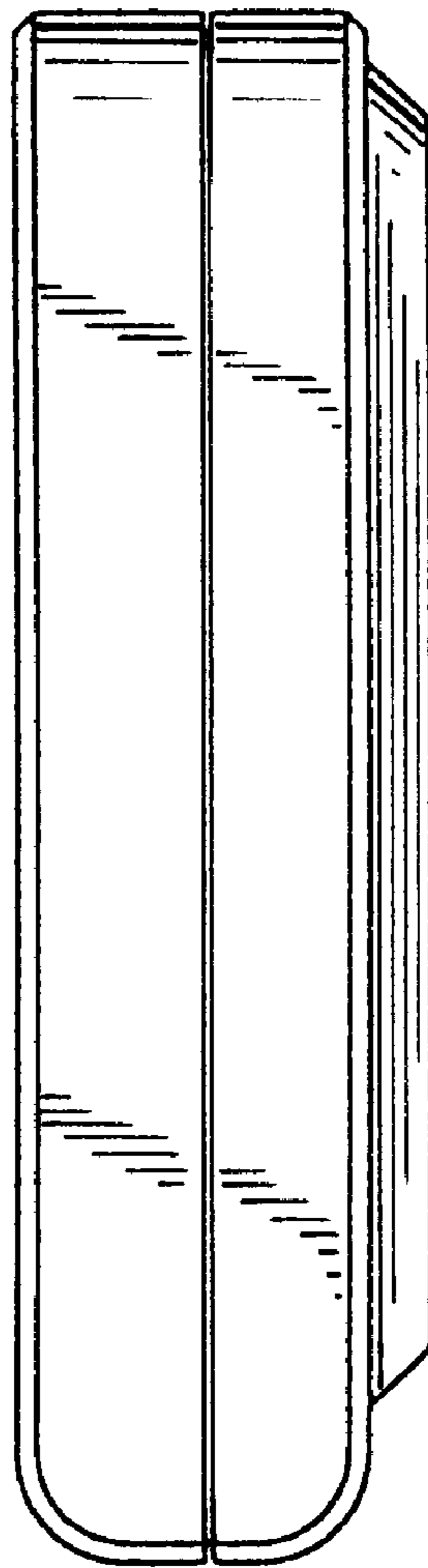


Fig. 6

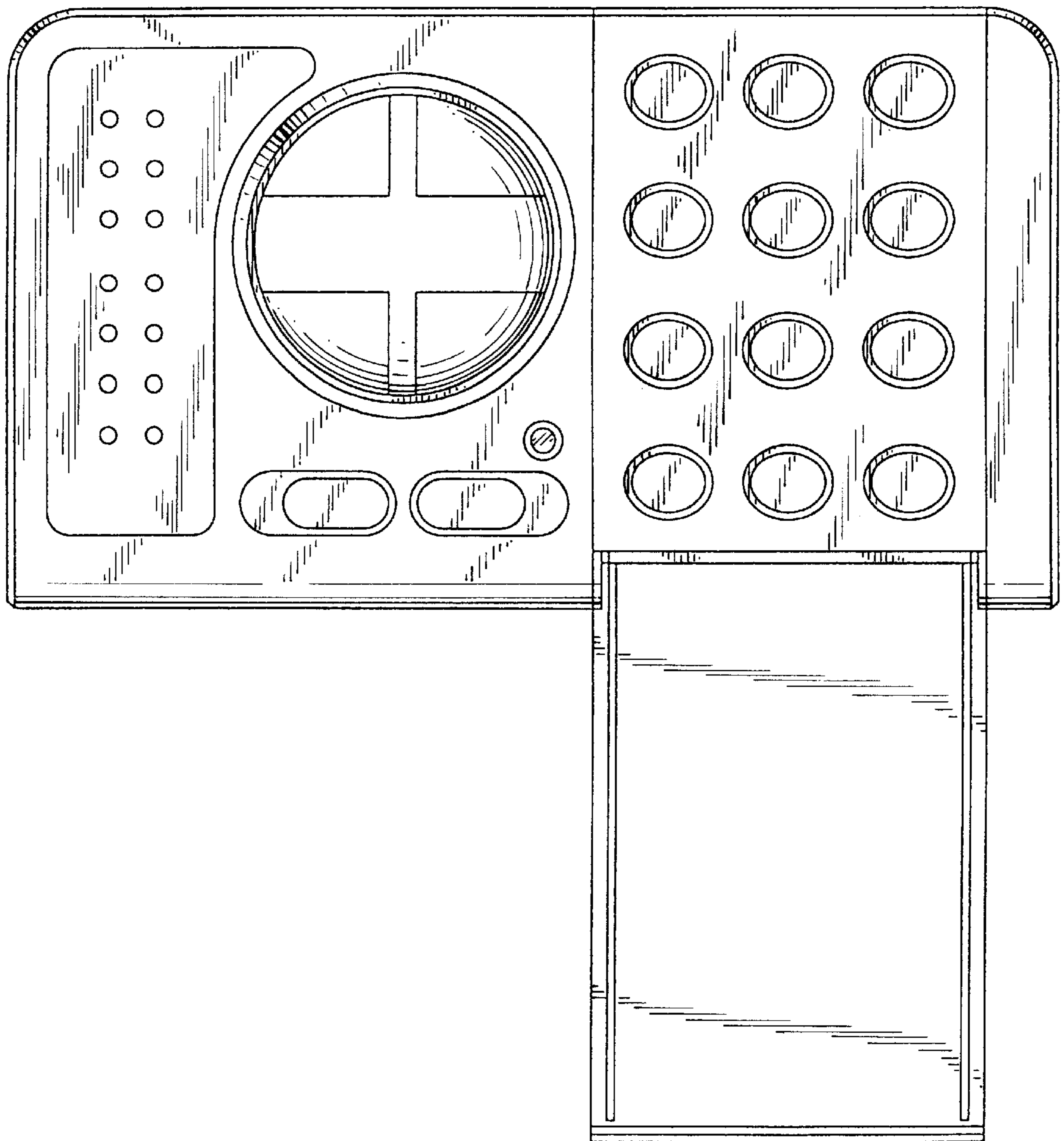


Fig. 7

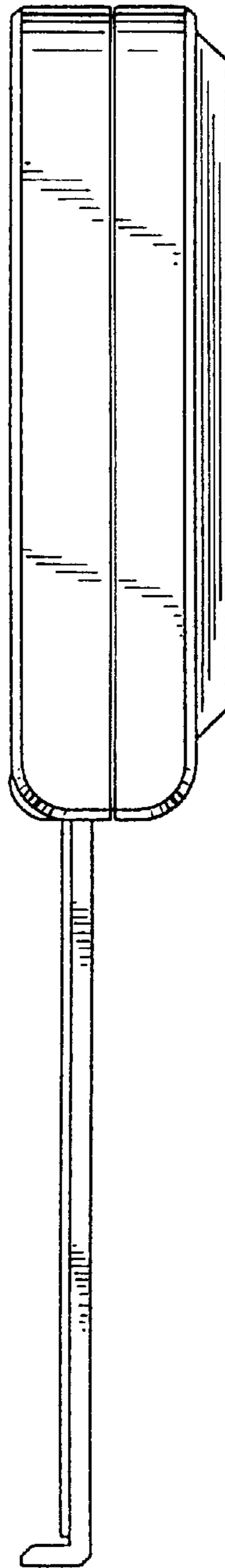


Fig. 8

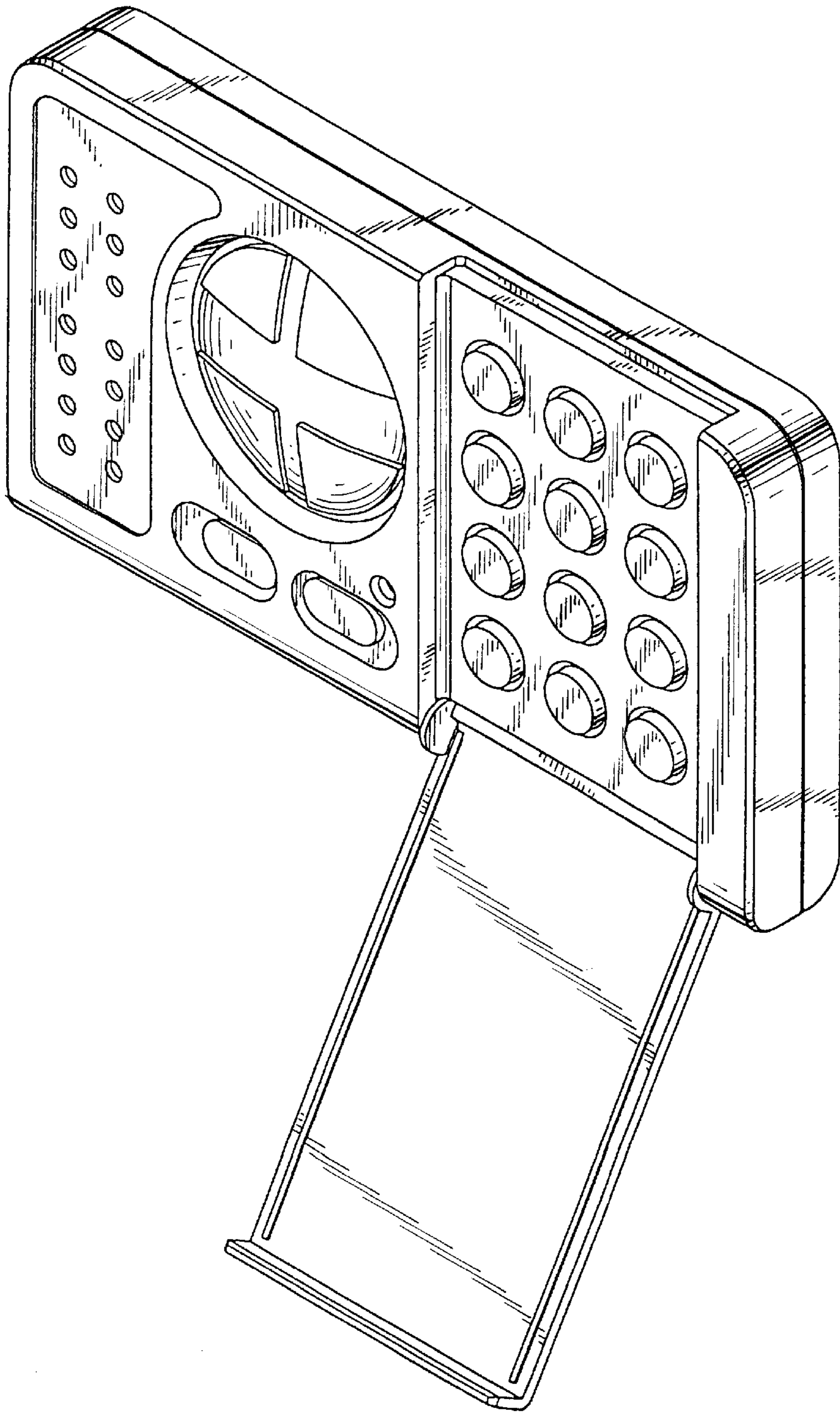


Fig. 9

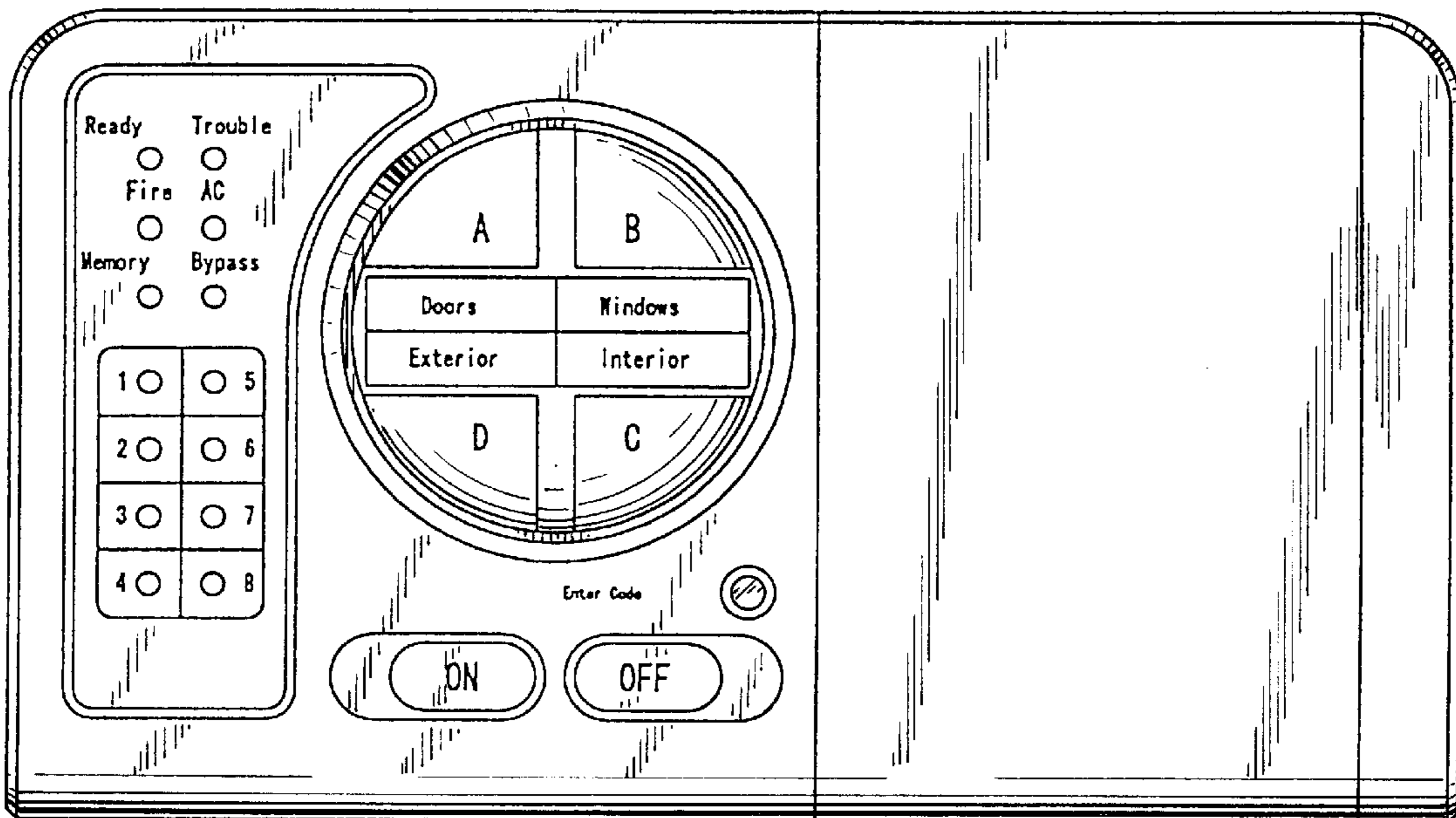


Fig. 10

