



US00D429698S

United States Patent [19] Ishii

[11] **Patent Number: Des. 429,698**

[45] **Date of Patent: ** Aug. 22, 2000**

[54] **HANDLE AND CONTROL PANEL**

[75] Inventor: **Mitsuo Ishii**, Tokyo, Japan

[73] Assignee: **Kabushiki Kaisha Topcon**, Tokyo, Japan

[**] Term: **14 Years**

[21] Appl. No.: **29/102,178**

[22] Filed: **Mar. 18, 1999**

[51] **LOC (7) Cl.** **13-03**

[52] **U.S. Cl.** **D13/162**

[58] **Field of Search** D13/162, 164;
D10/104, 114, 121; 200/5 A, 5 R; 374/11,
208; 364/557

[56] **References Cited**

U.S. PATENT DOCUMENTS

- D. 307,002 4/1990 Thomas et al. D13/164
- D. 342,939 1/1994 Gaalswyk D13/164
- D. 364,573 11/1995 Pearsall D13/162 X

Primary Examiner—Brian N. Vinson
Attorney, Agent, or Firm—Jacobson, Price, Holman & Stern, PLLC

[57] **CLAIM**

An ornamental design for handle and control panel, as shown and described.

DESCRIPTION

FIG. 1 is a perspective view from a front, upper, and right position of a handle and control panel embodying my new design;

FIG. 2 is a front elevational view thereof;

FIG. 3 is a left side elevational view thereof;

FIG. 4 is a right side elevational view thereof;

FIG. 5 is a top plan view thereof; and,

FIG. 6 is a perspective view thereof from a front, lower, and right position.

The top, bottom, and rear of the handle and control panel are plain and unornamented.

The broken line showing of a rotating laser is for illustrative purposes only and forms no part of the claimed design.

1 Claim, 4 Drawing Sheets

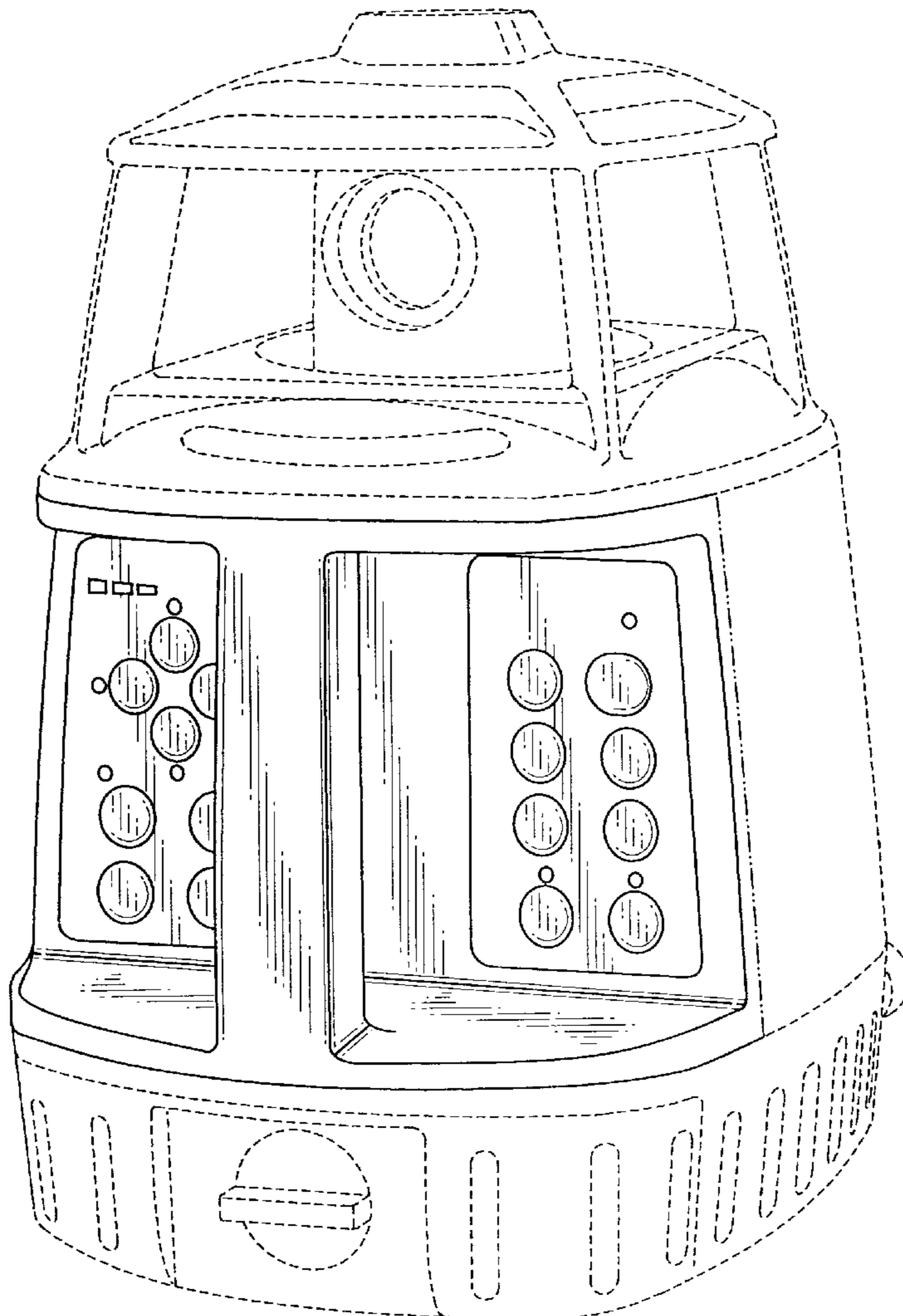


FIG. 1

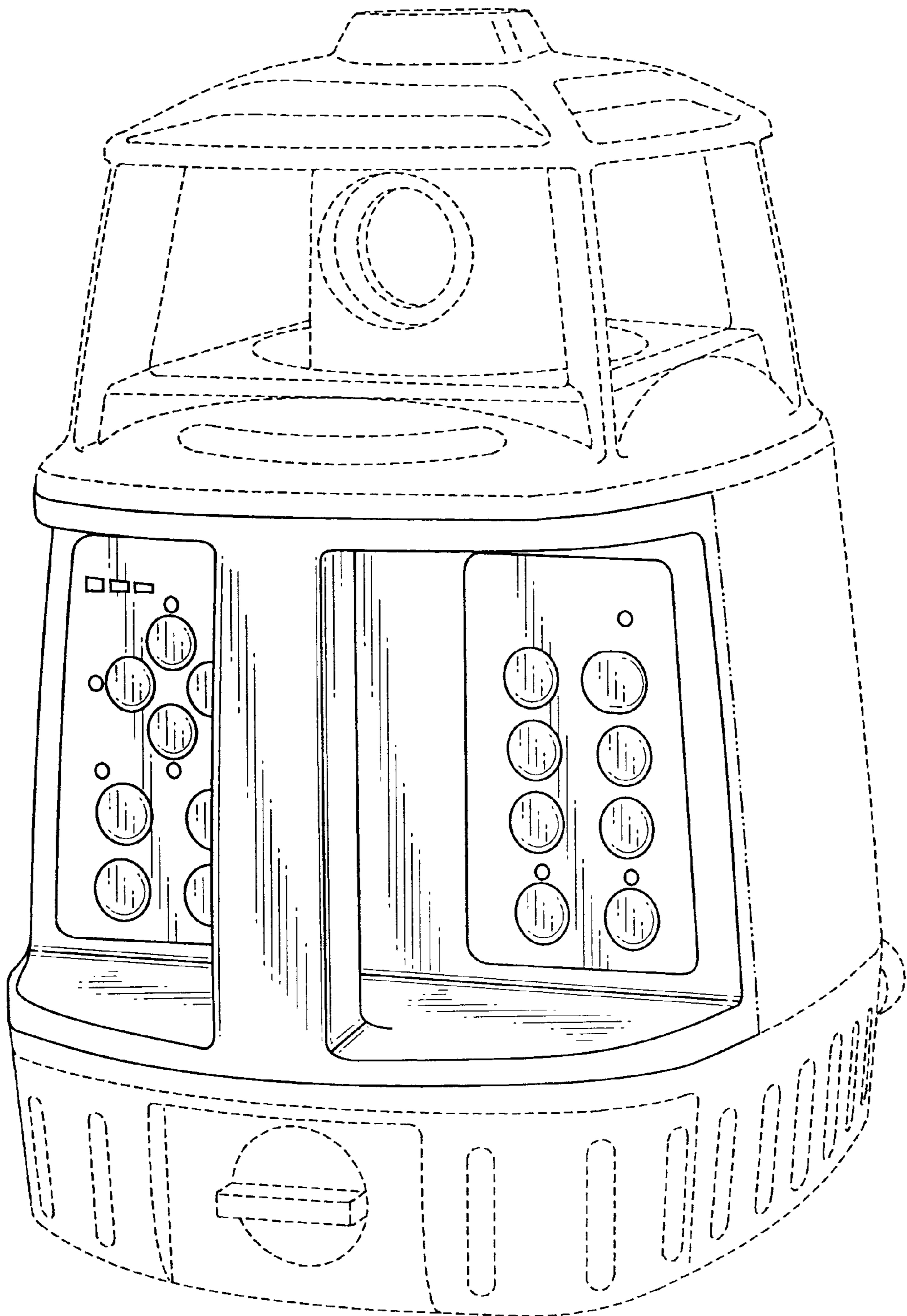


FIG. 3

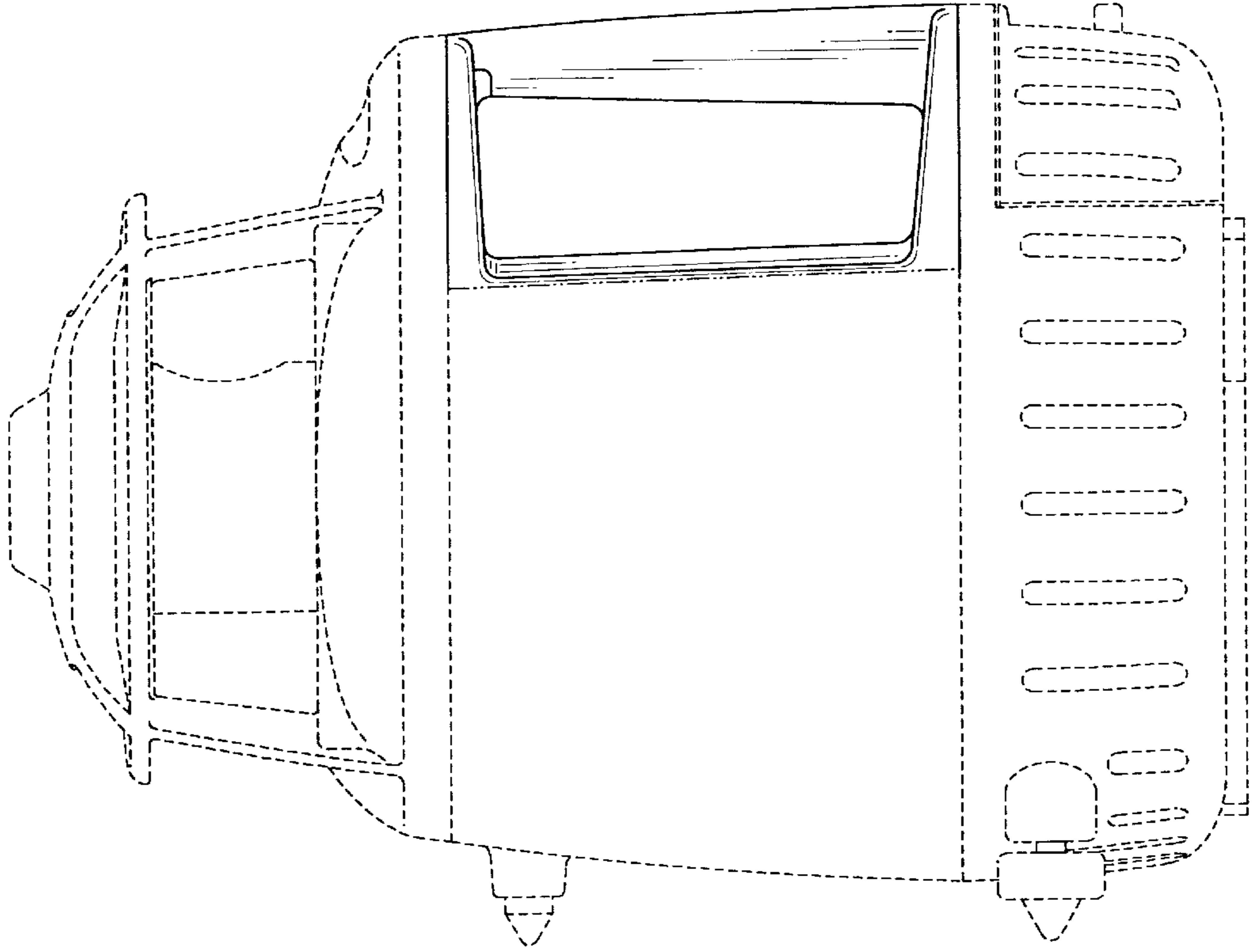


FIG. 2

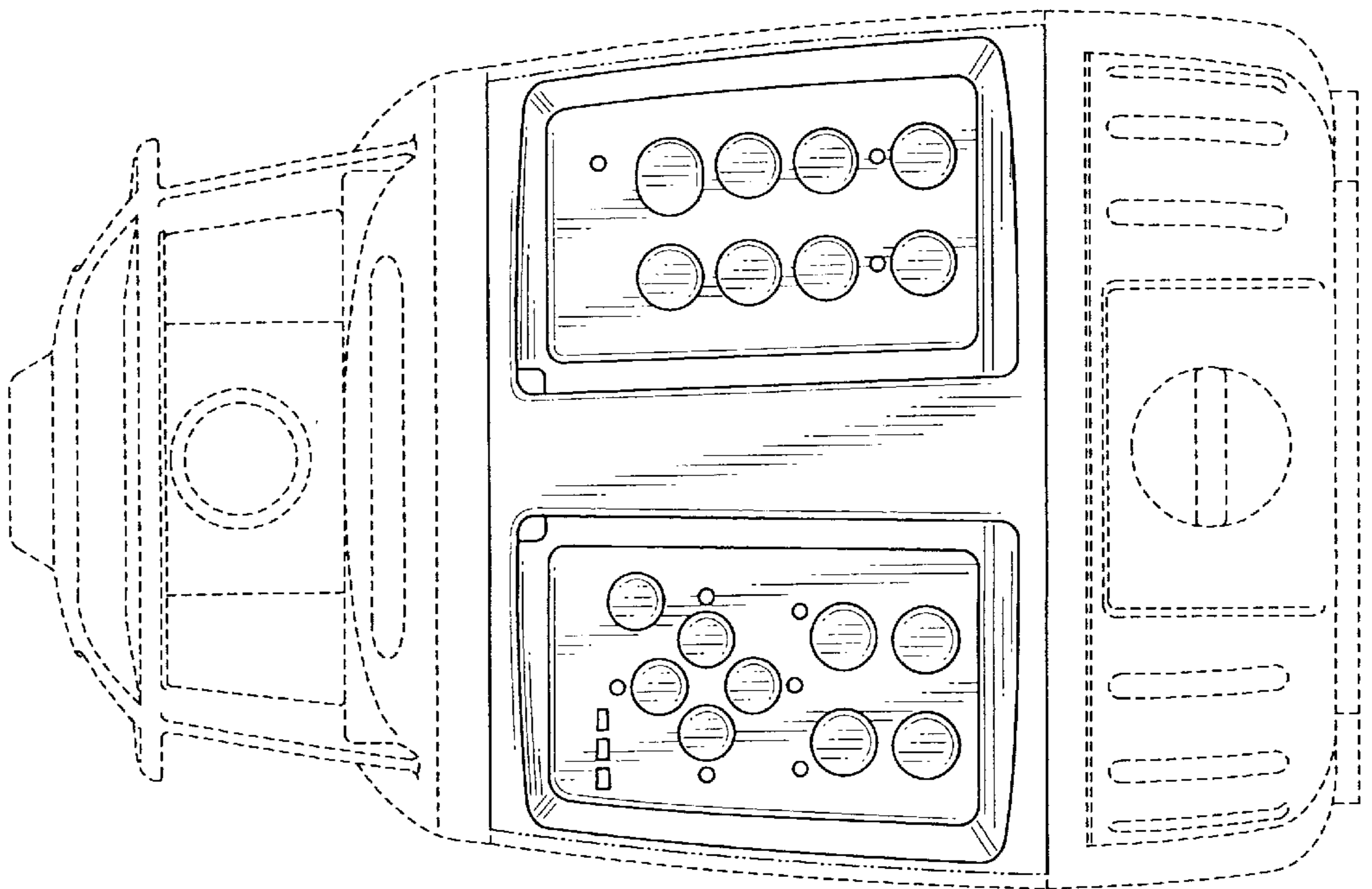


FIG. 5

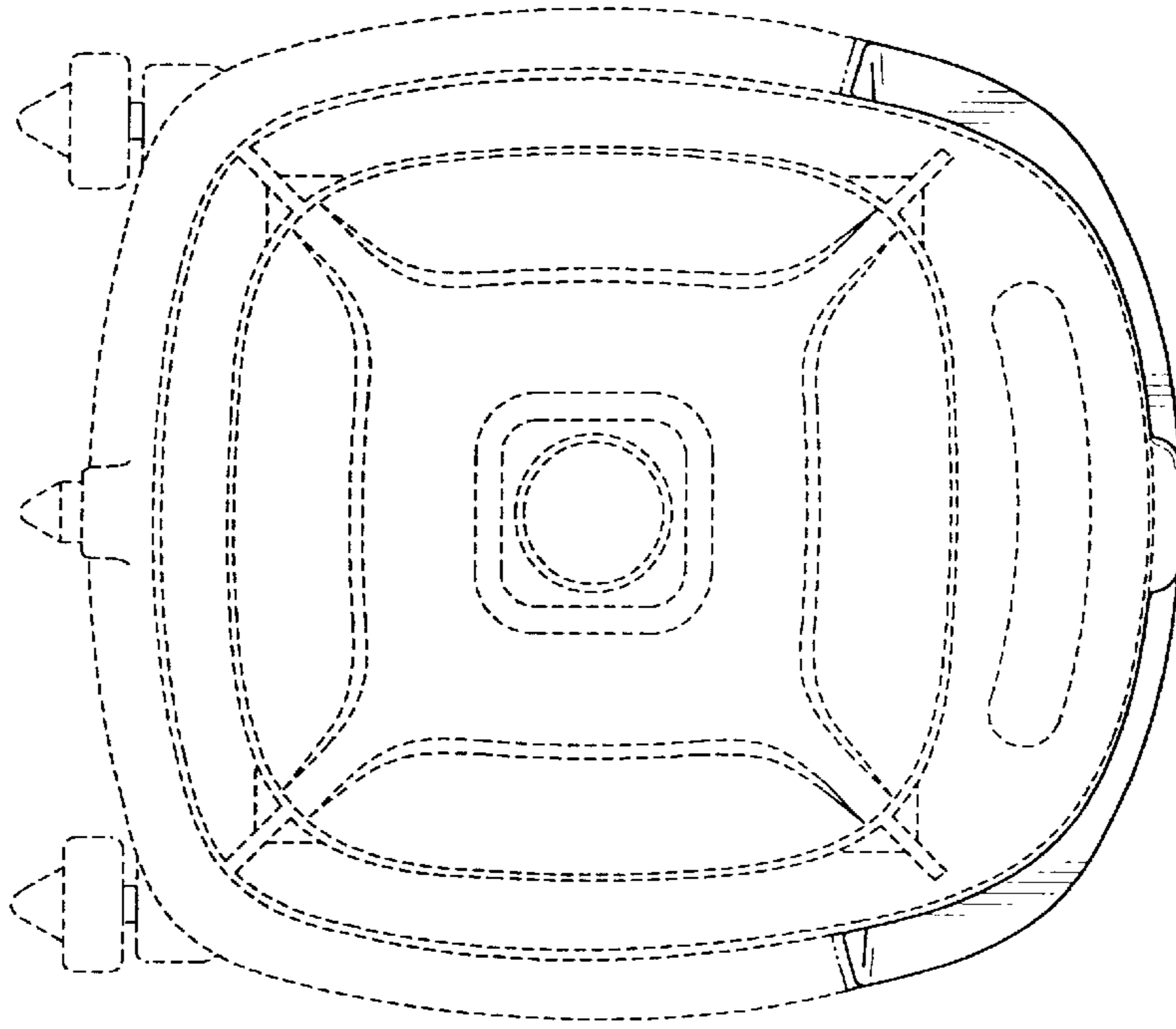


FIG. 4

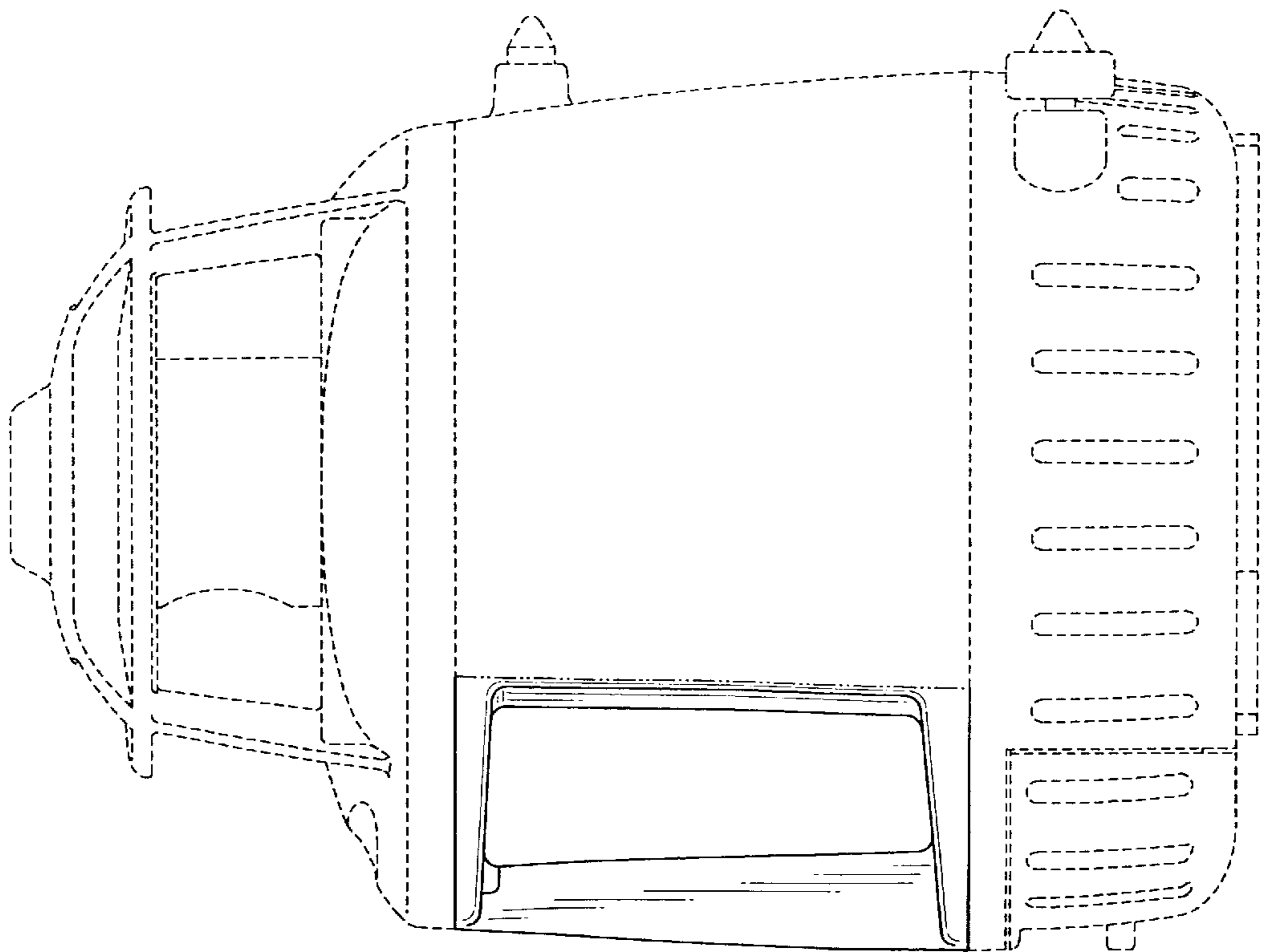


FIG. 6

