



US00D429697S

United States Patent [19]

[11] Patent Number: Des. 429,697

Monaco et al.

[45] Date of Patent: ** Aug. 22, 2000

[54] CONTROL AND MEASURING INSTRUMENTS FOR CONDITIONING AND REFRIGERATING UNITS AND COMPONENTS FOR CONTROL AND MEASURING INSTRUMENTS OF THIS KIND

DESCRIPTION

[75] Inventors: Frank Anthony Monaco, Rome; Stefano Dal Farra, Belluno, both of Italy

FIG. 1 is a perspective view of the base instrument container comprising a front piece embodying a visor and a first small closing bottom.

[73] Assignee: Siebe Climate Controls Italia S.p.A., Pieve D'Alpago, Italy

FIG. 2 is a front view of the container of FIG. 1;

FIG. 3 is a rear view of the container of FIG. 1;

[**] Term: 14 Years

FIG. 4 is a top view of the container of FIG. 1;

FIG. 5 is a bottom view of the container of FIG. 1;

[21] Appl. No.: 29/100,168

FIG. 6 is a first side view of the container of FIG. 1;

[22] Filed: Feb. 5, 1999

FIG. 7 is a second side view of the container of FIG. 1;

[30] Foreign Application Priority Data

Aug. 7, 1998 [XH] Hague Agreement DM/044877

FIG. 8 is a perspective view of the medium instrument container comprising a front piece embodying a visor and second small closing bottom;

[51] LOC (7) Cl. 13-03

FIG. 9 is a front view of the container of FIG. 8;

[52] U.S. Cl. D13/162; D10/50

FIG. 10 is a rear view of the container of FIG. 8;

[58] Field of Search D10/46, 57, 50; D13/162-164, 184; 62/89, 187, 186, 180, 179, 208, 126, 129, 130, 230, 127, 229, 408; 236/37, 94; 165/11.1; 364/184, 187

FIG. 11 is a top view of the container of FIG. 8;

FIG. 12 is a bottom view of the container of FIG. 8;

FIG. 13 is a first side view of the container of FIG. 8;

FIG. 14 is a second side view of the container of FIG. 8;

[56] References Cited

U.S. PATENT DOCUMENTS

D. 418,515	1/2000	Tucker et al.	D14/240
5,809,790	9/1998	Kwon	62/89
5,924,295	7/1999	Park	62/126
5,960,857	10/1999	Oswalt et al.	165/11.1
5,992,165	11/1999	Kim et al.	62/187

FIG. 15 is a perspective view of the large container comprising a front piece embodying a visor, and extensin module and a large closing bottom;

FIG. 16 is a front view of the container of FIG. 15;

FIG. 17 is a rear view of the container of FIG. 15;

FIG. 18 is a top view of the container of FIG. 15;

FIG. 19 is a bottom view of the container of FIG. 15;

FIG. 20 is a first side view of the container of FIG. 15;

FIG. 21 is a second side view of the container of FIG. 15;

FIG. 22 is a perspective view of a front piece embodying the visor;

FIG. 23 is a front view of the front piece of FIG. 22;

FIG. 24 is a rear view of the front piece of FIG. 22;

FIG. 25 is a top view of the front piece of FIG. 22;

FIG. 26 is a bottom view of the front piece of FIG. 22;

FIG. 27 is a first side view of the front piece of FIG. 22; and,

FIG. 28 is a second side view of the front piece of FIG. 22.

Primary Examiner—Antoine Duval Davis
Attorney, Agent, or Firm—Antonelli, Terry, Stout & Kraus, LLP

[57] CLAIM

The ornamental design for a control and measuring instruments for conditioning and refrigerating units and components for control and measuring instruments of this kind, as shown.

1 Claim, 13 Drawing Sheets

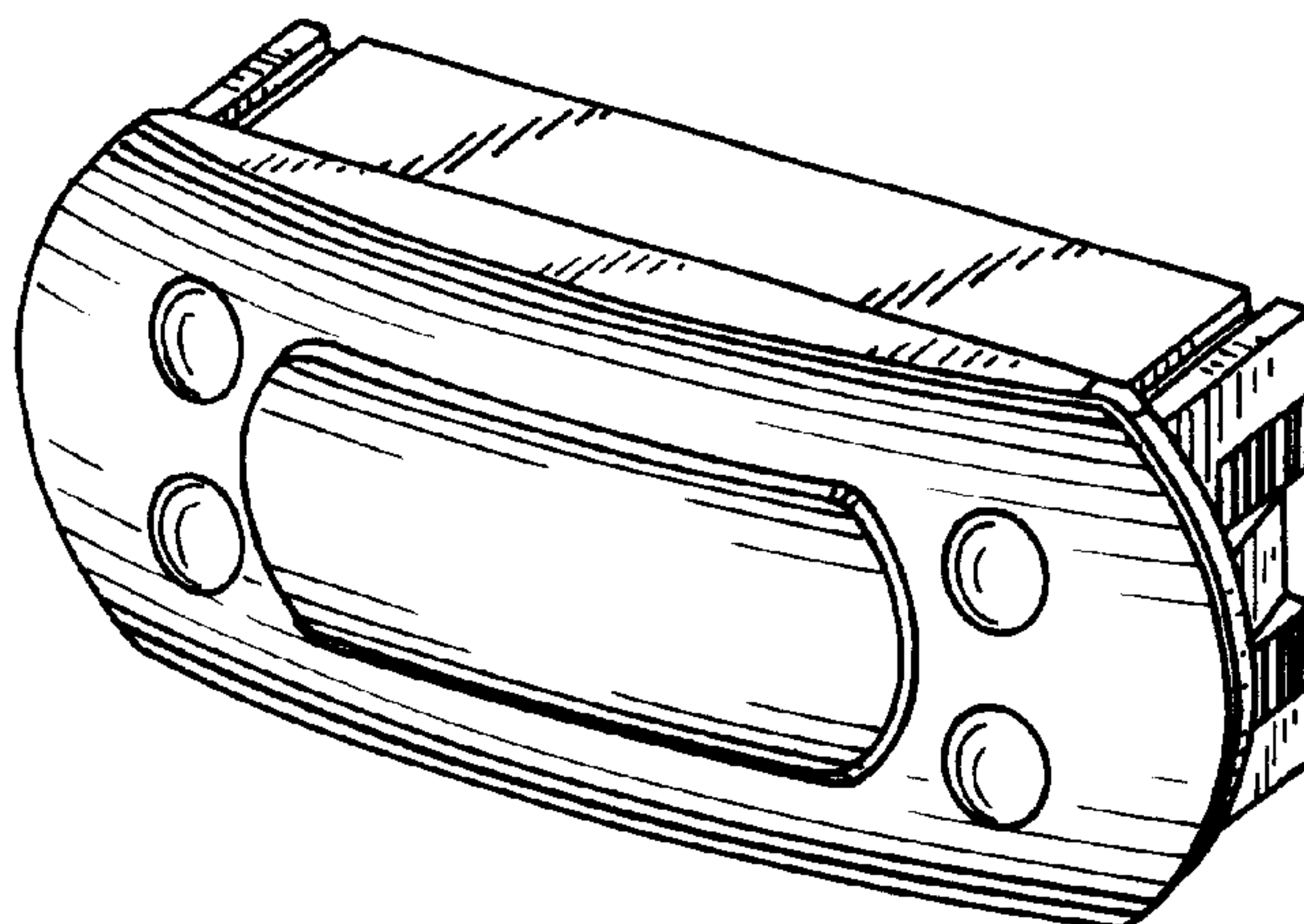


FIG. 1

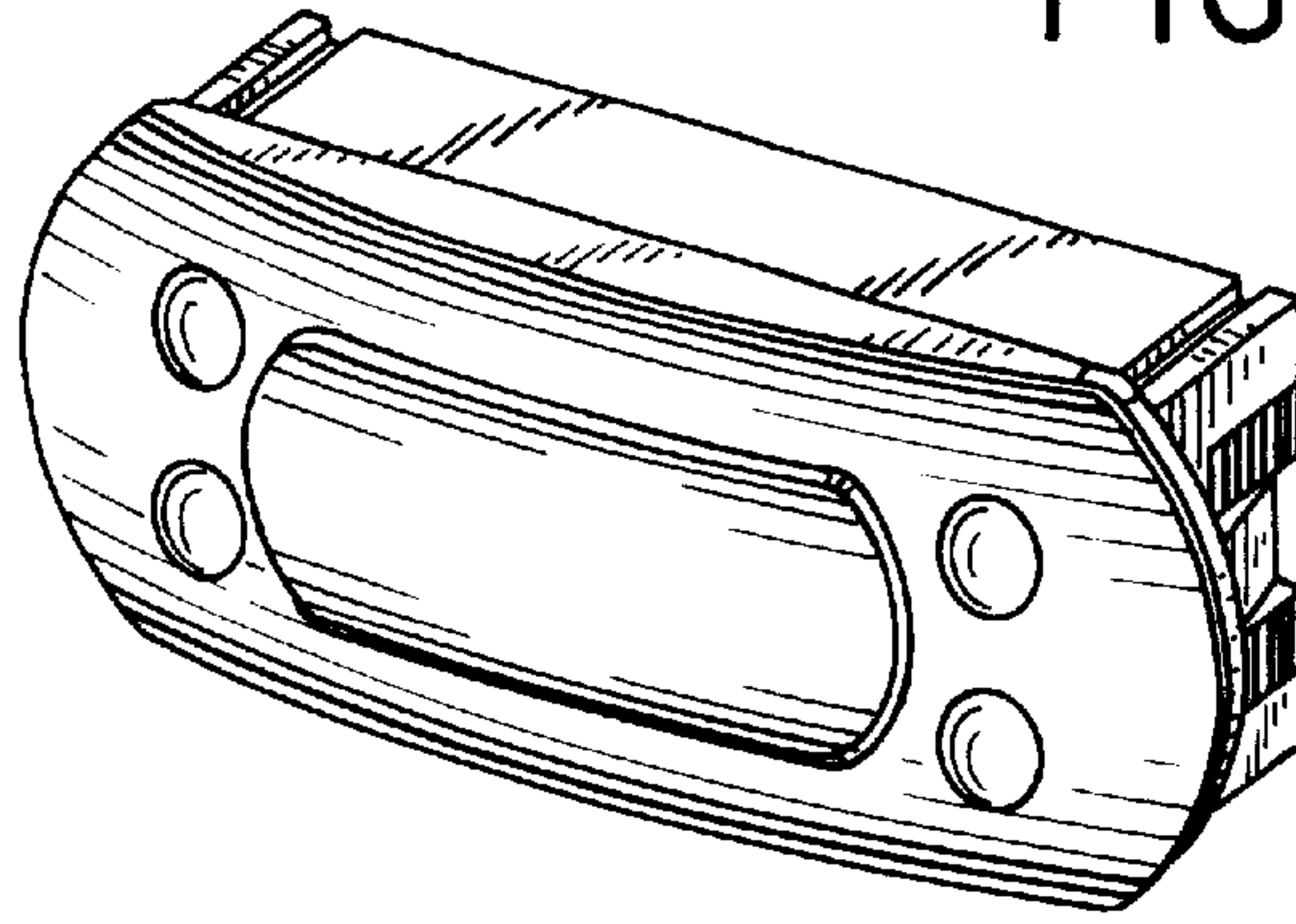


FIG. 2

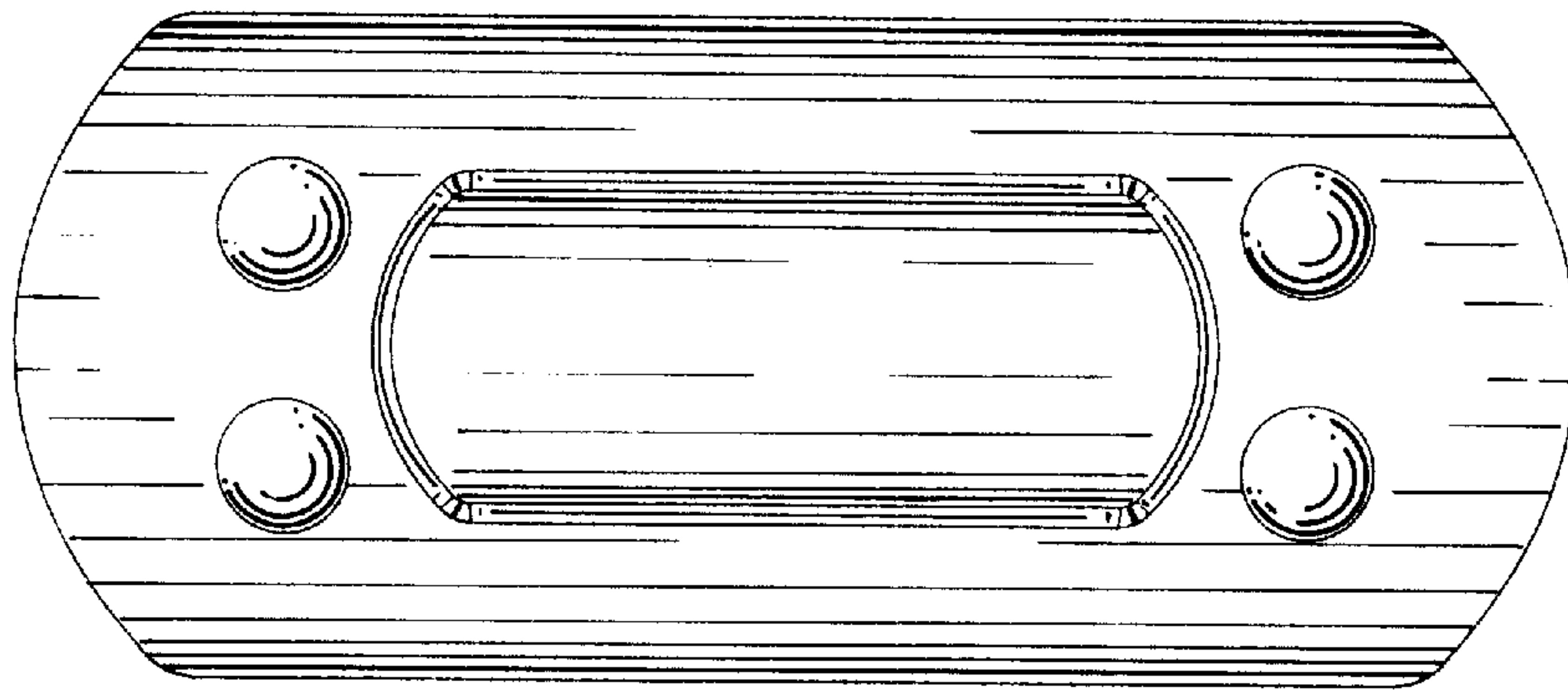


FIG. 3

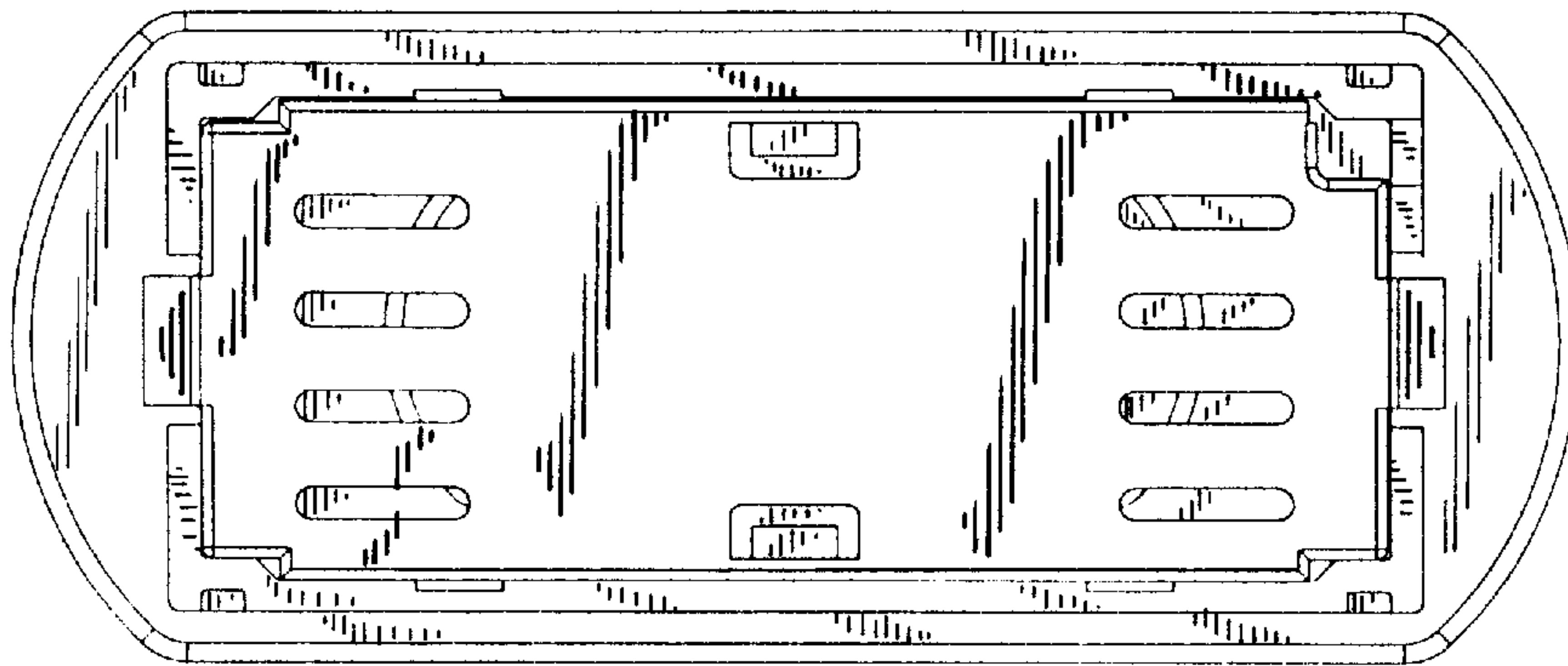


FIG. 4

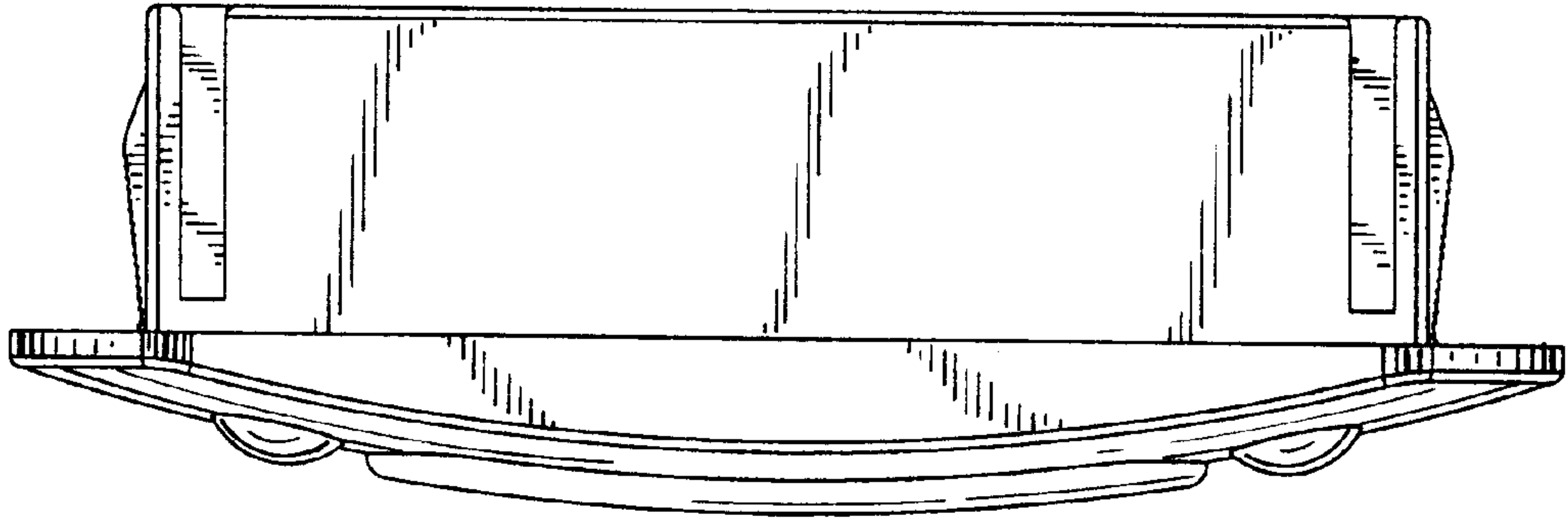


FIG. 5

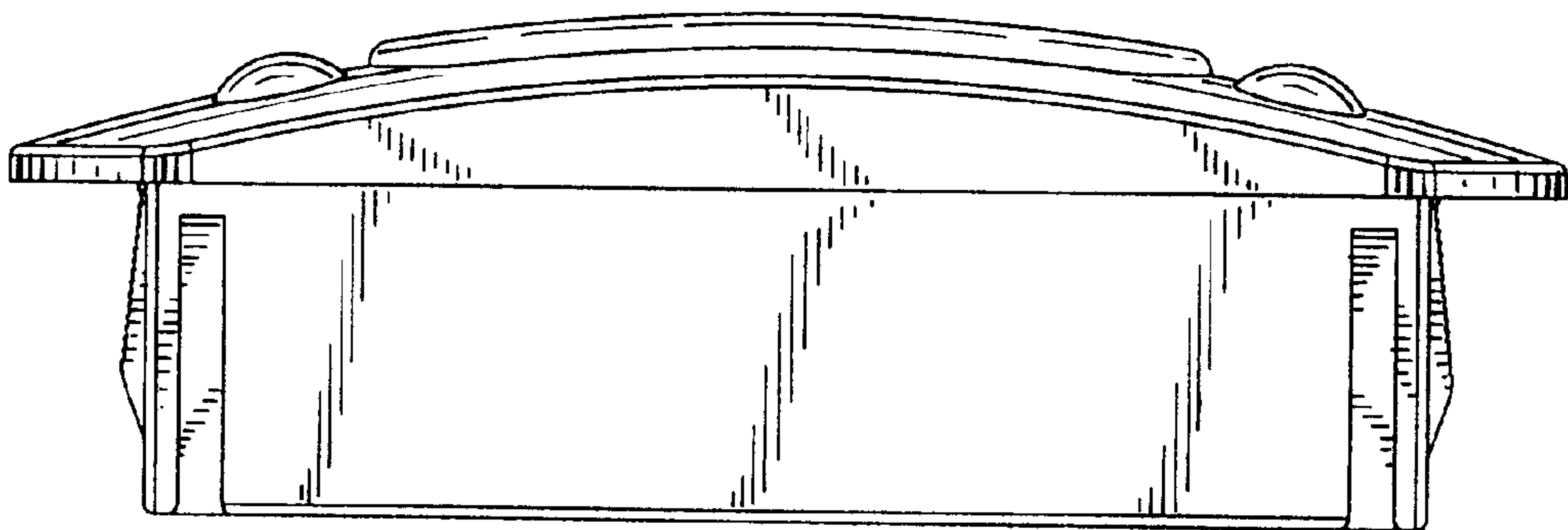


FIG. 6

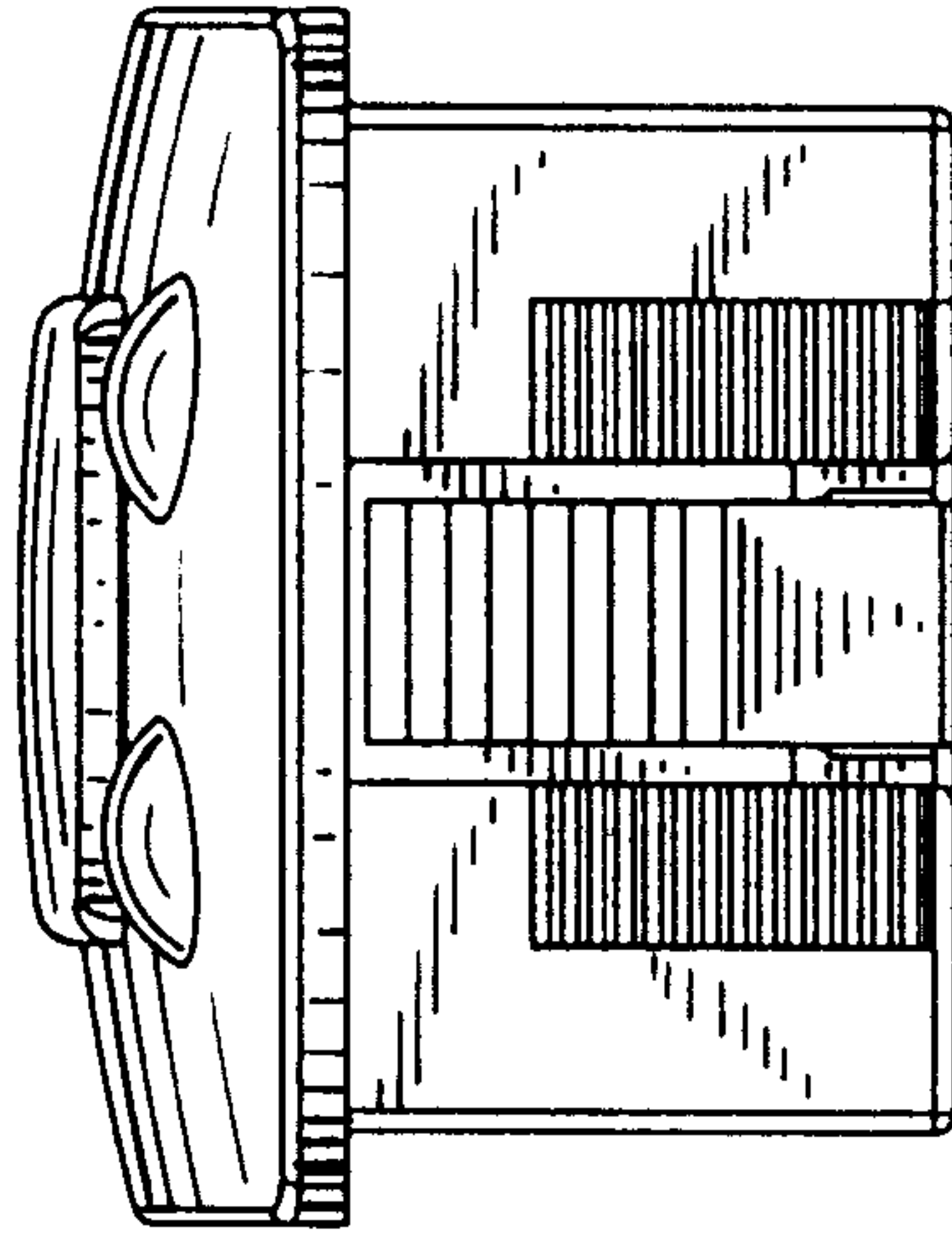
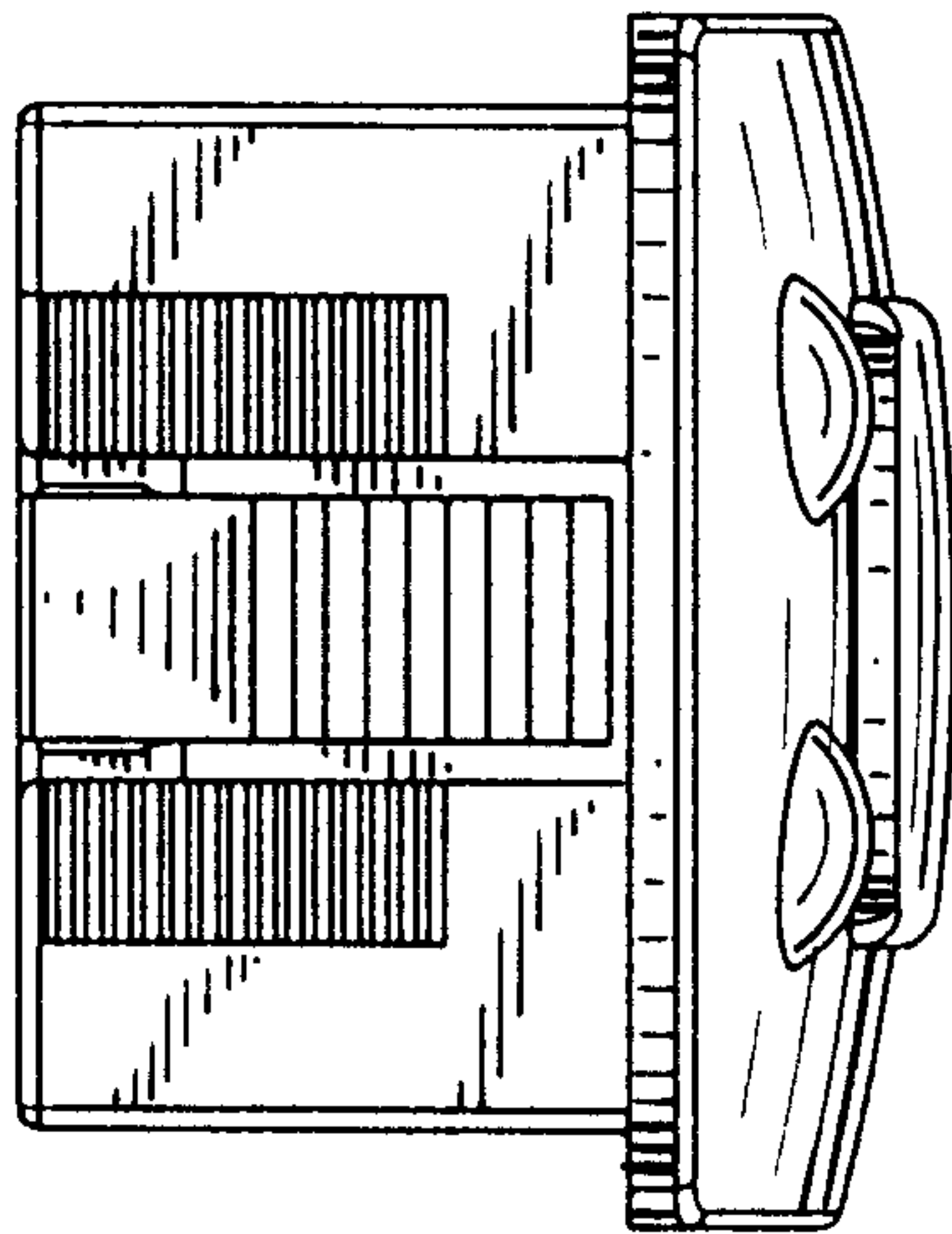


FIG. 7



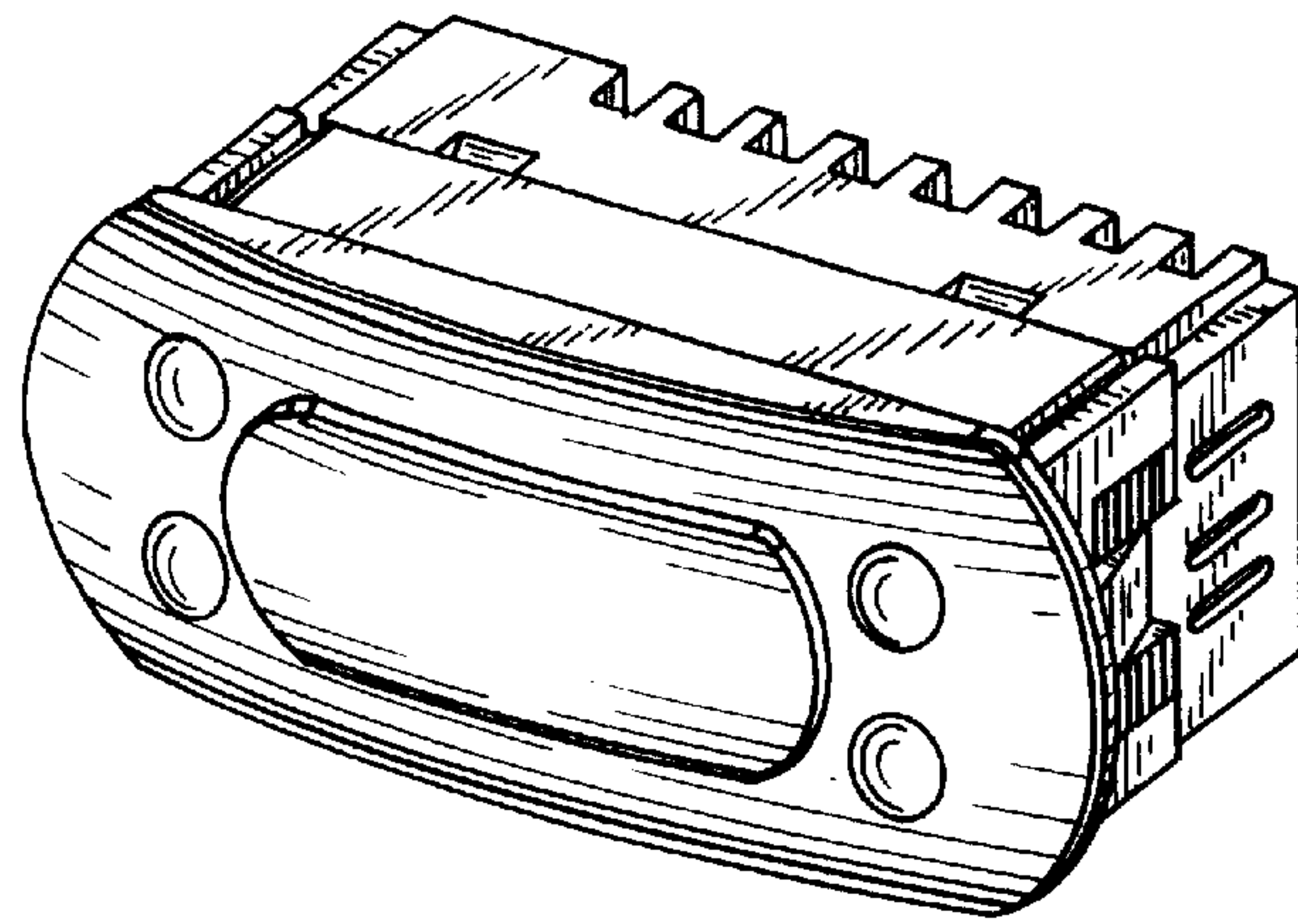


FIG. 8

FIG. 9

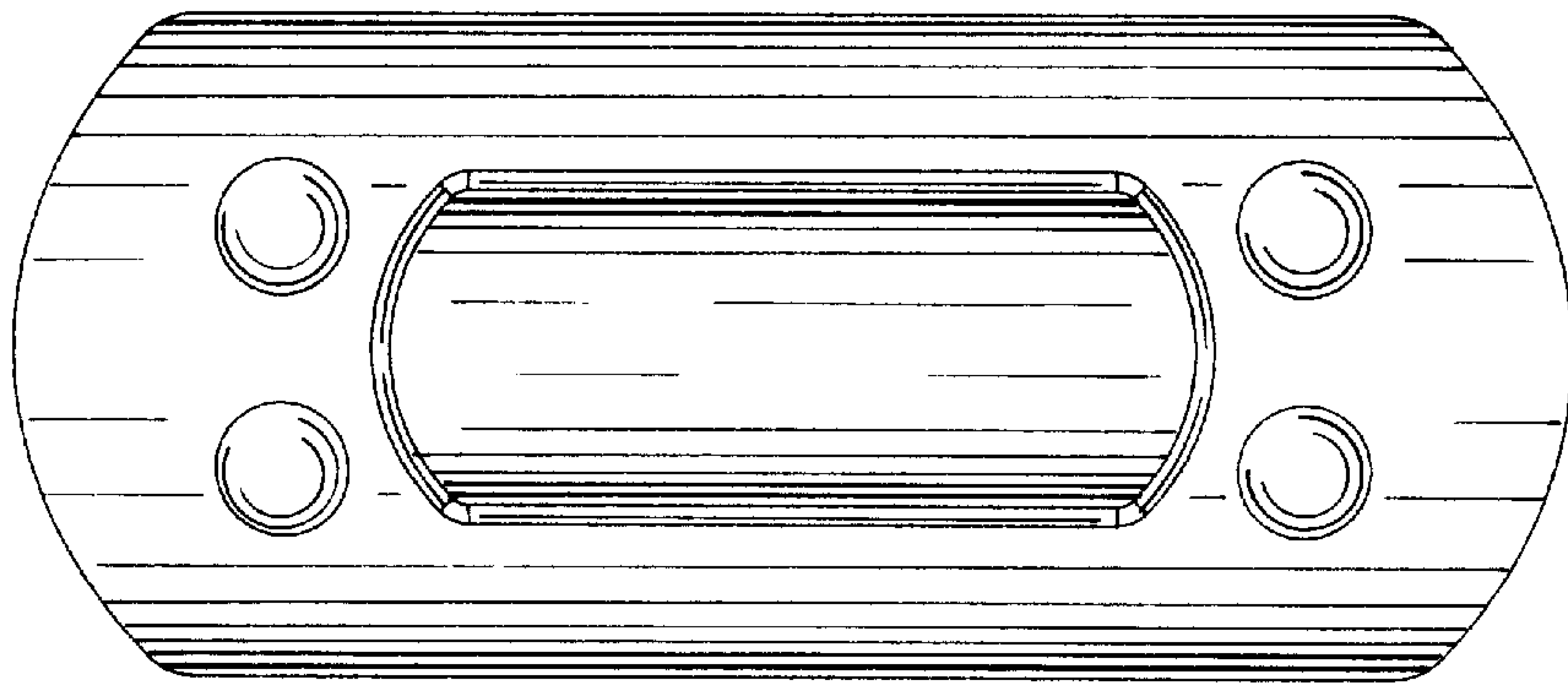


FIG. 10

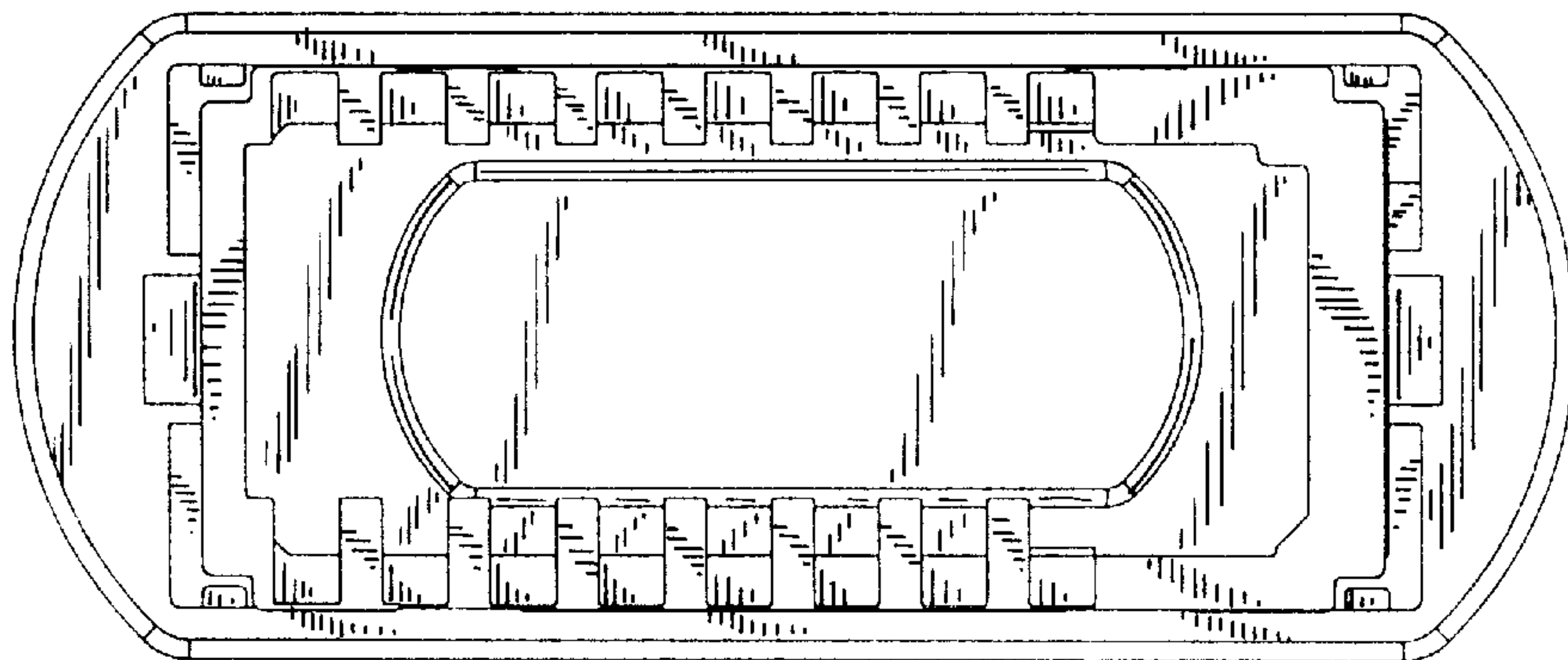


FIG. 11

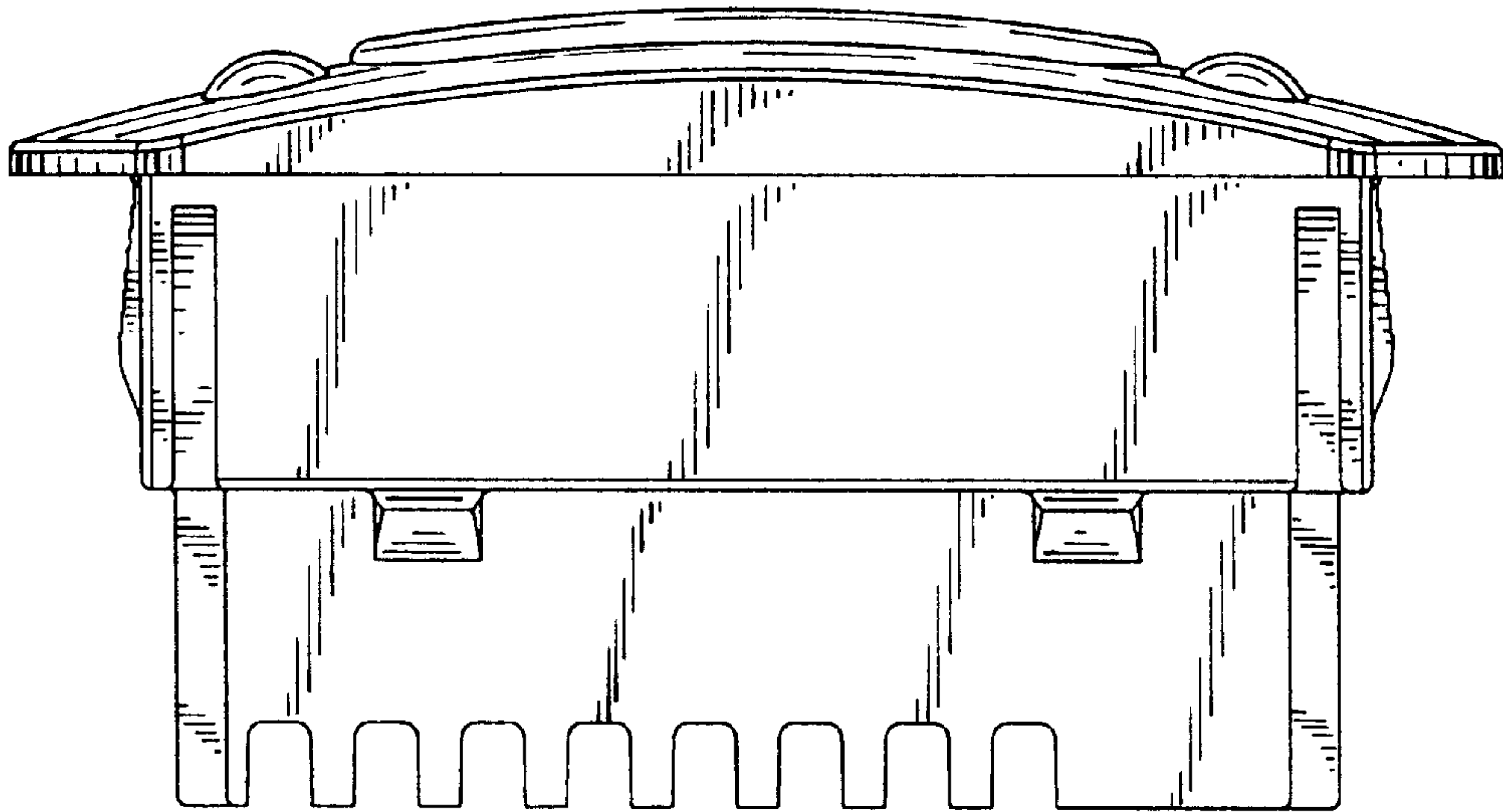


FIG. 12

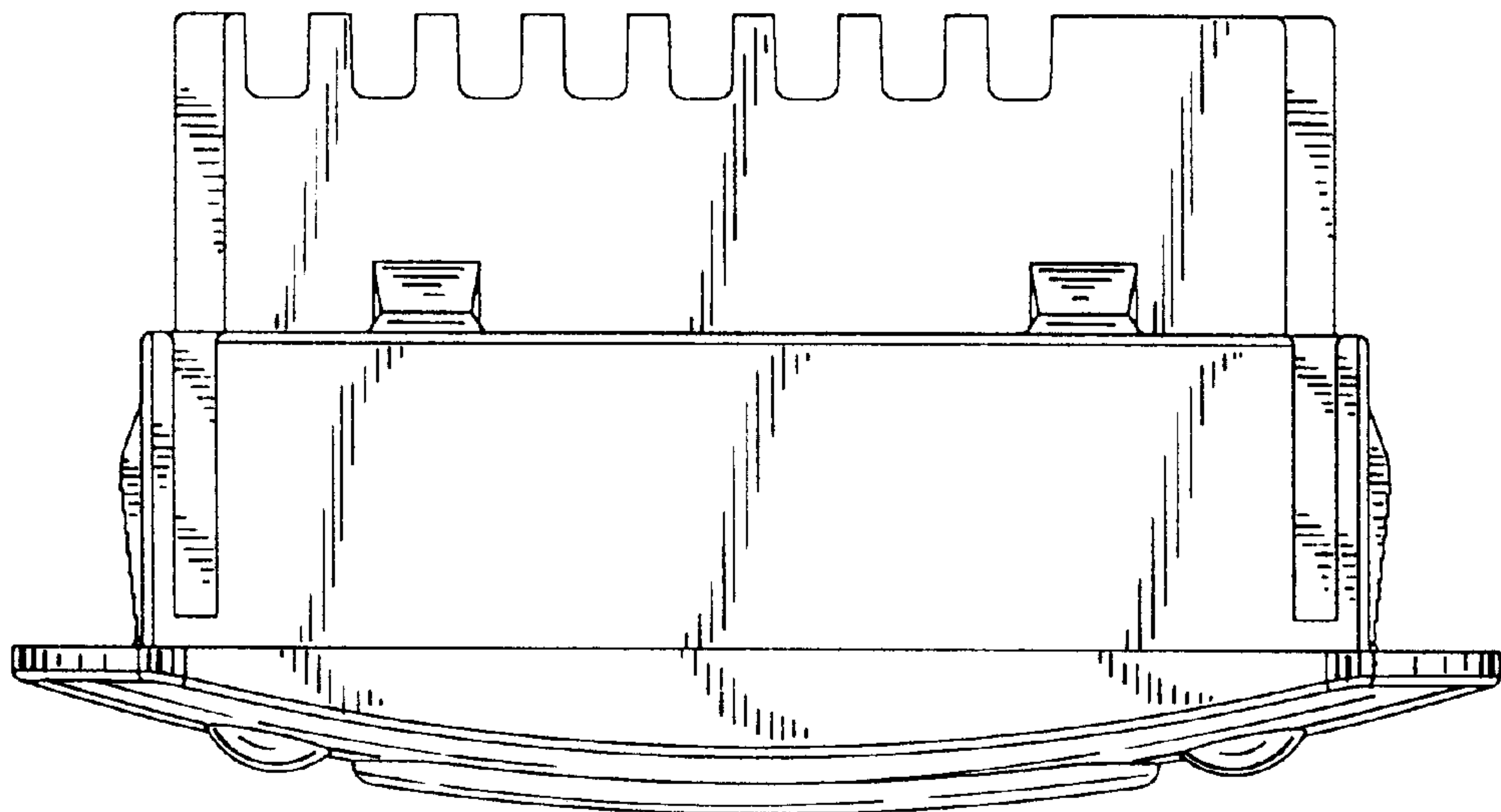


FIG. 13

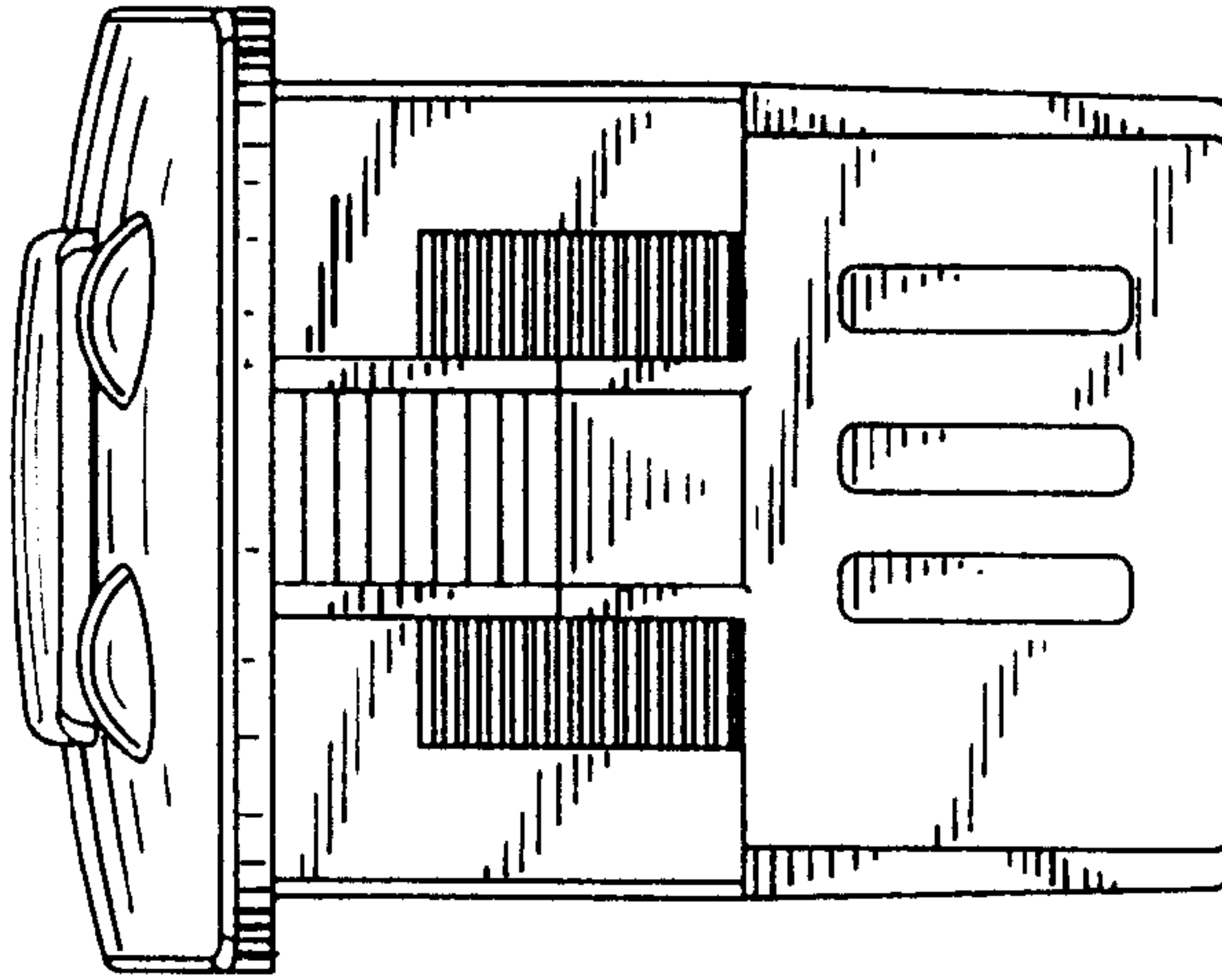
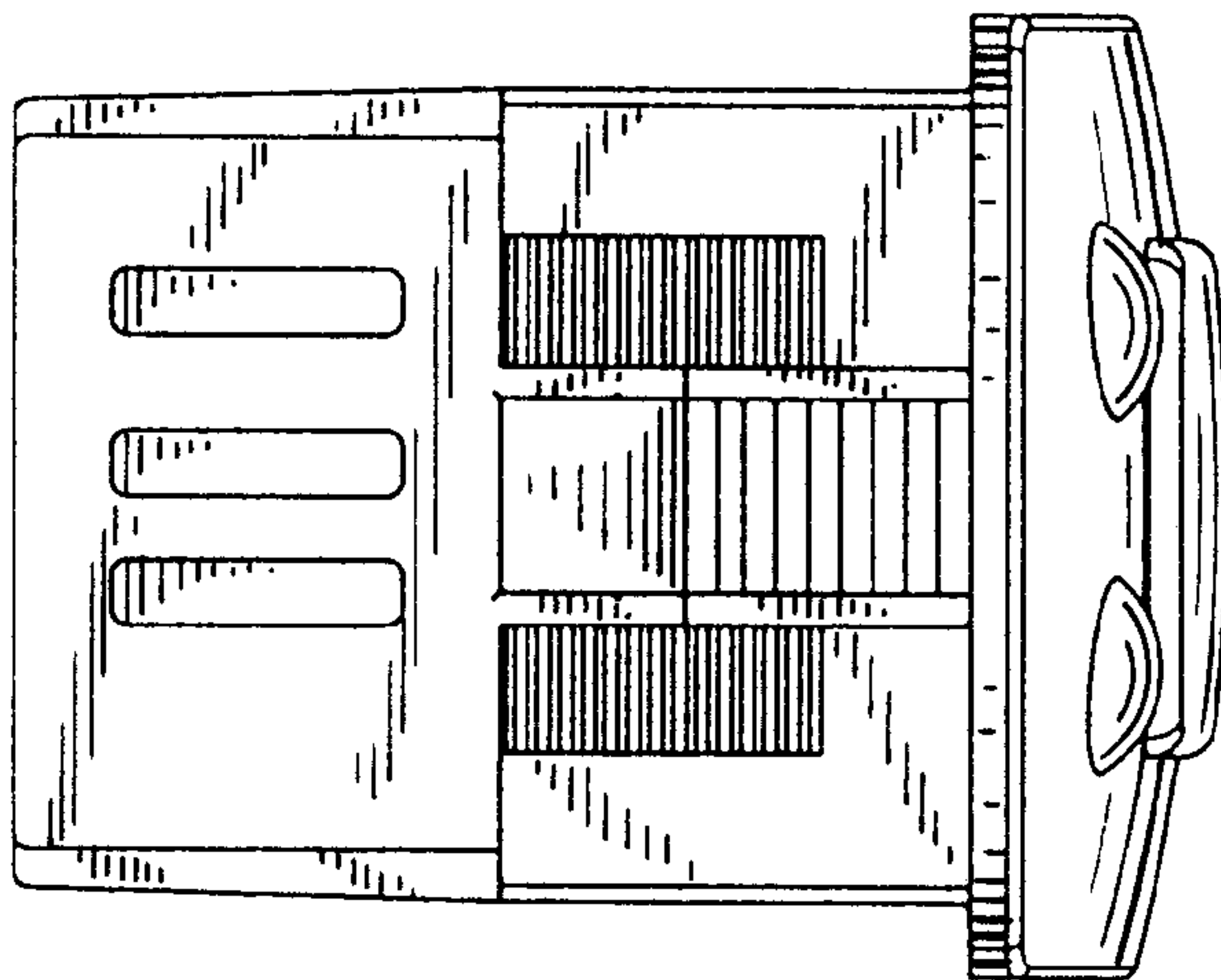


FIG. 14



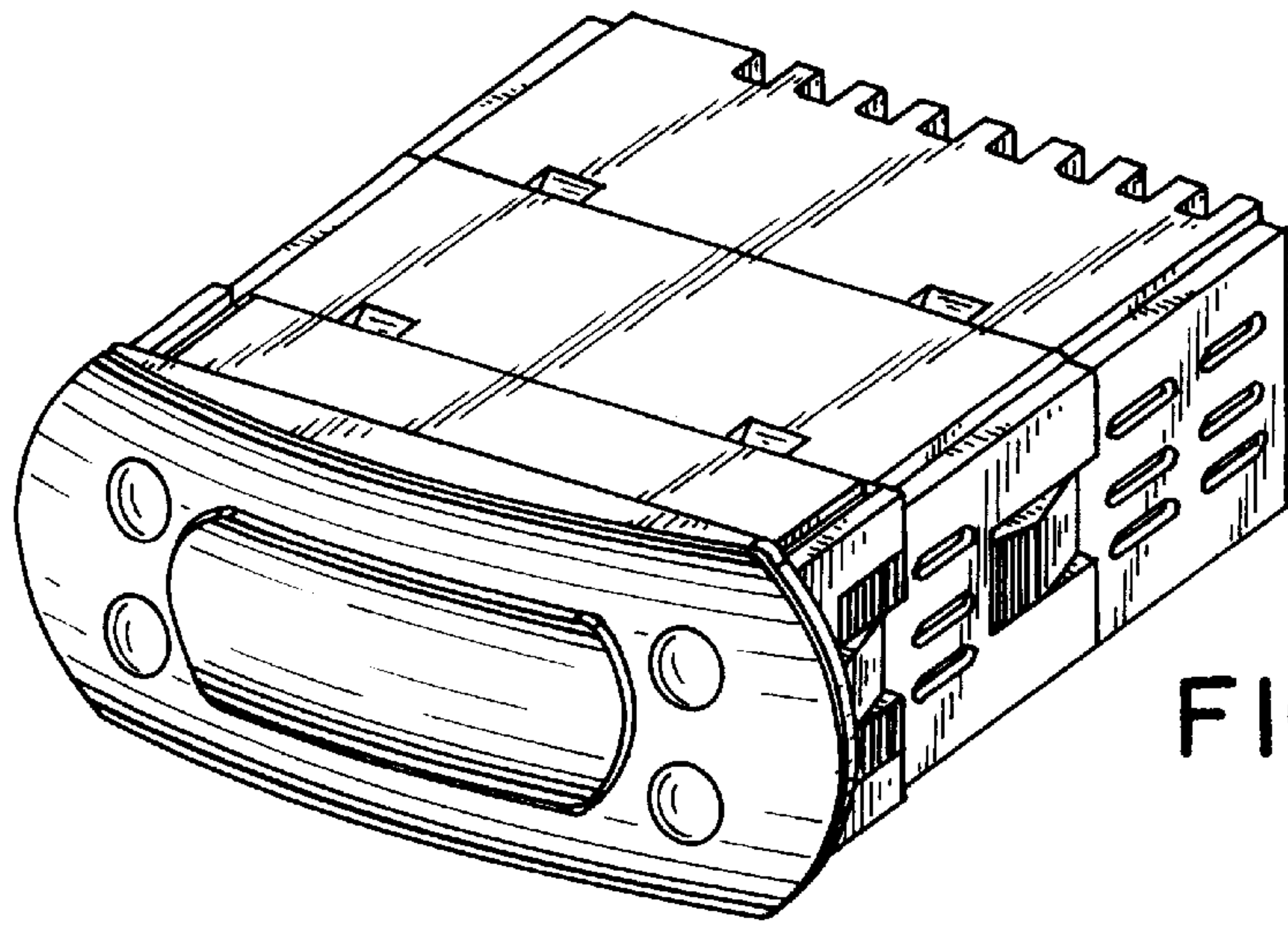


FIG. 15

FIG. 16

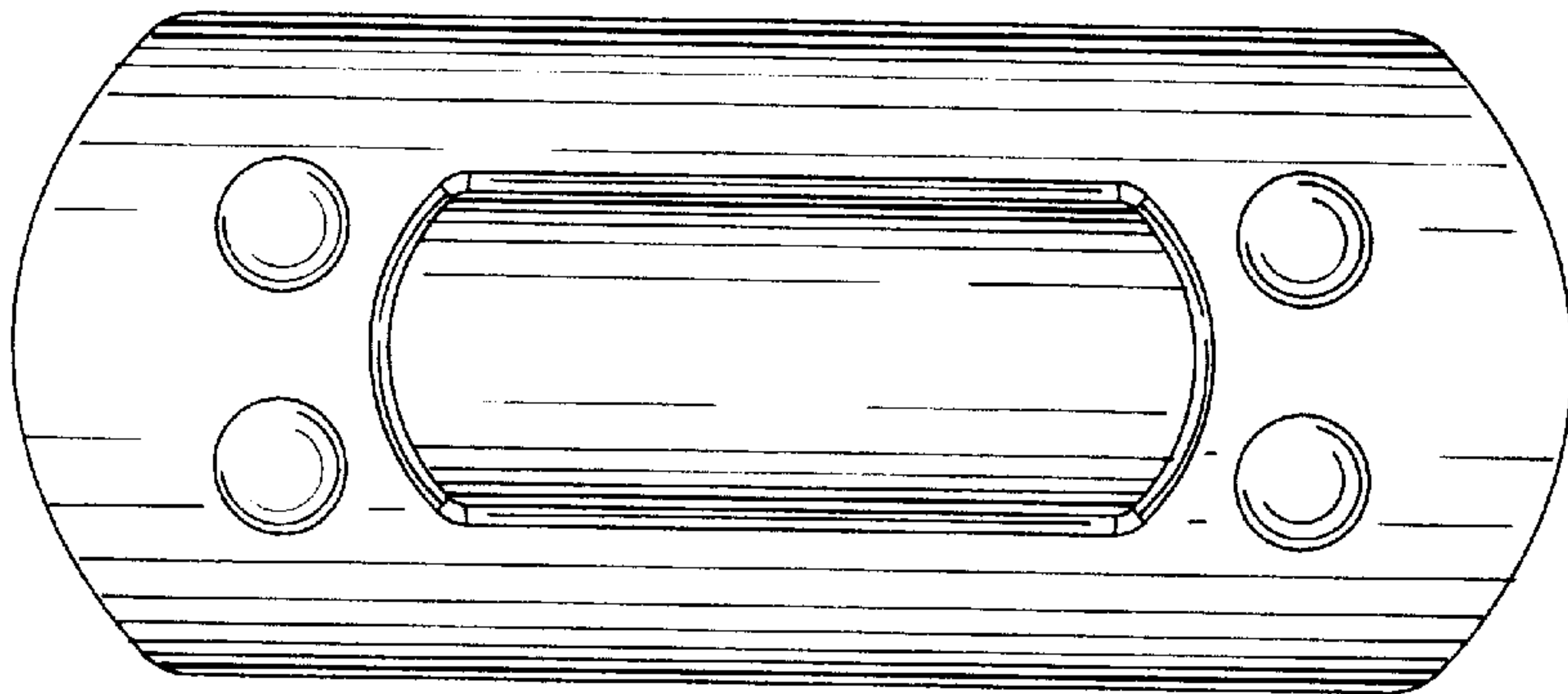


FIG. 17

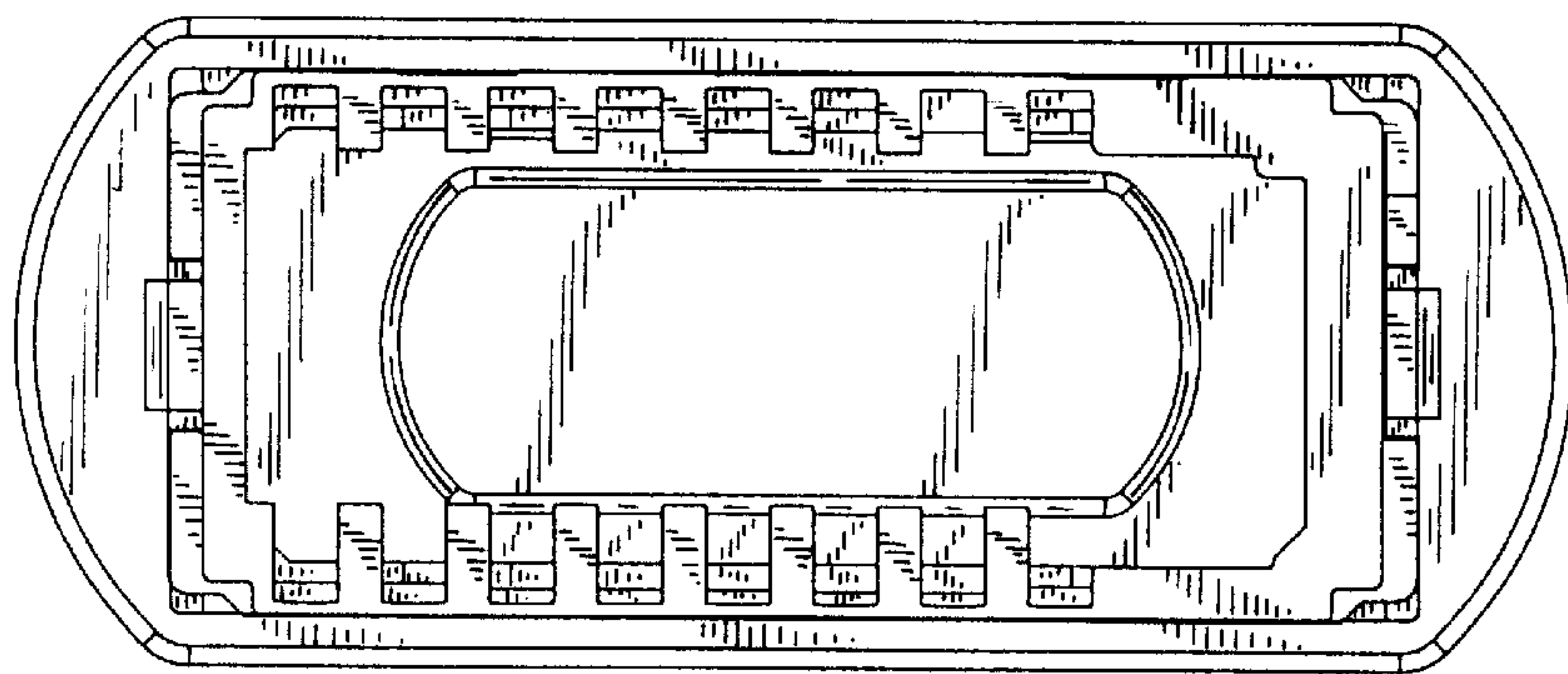


FIG. 18

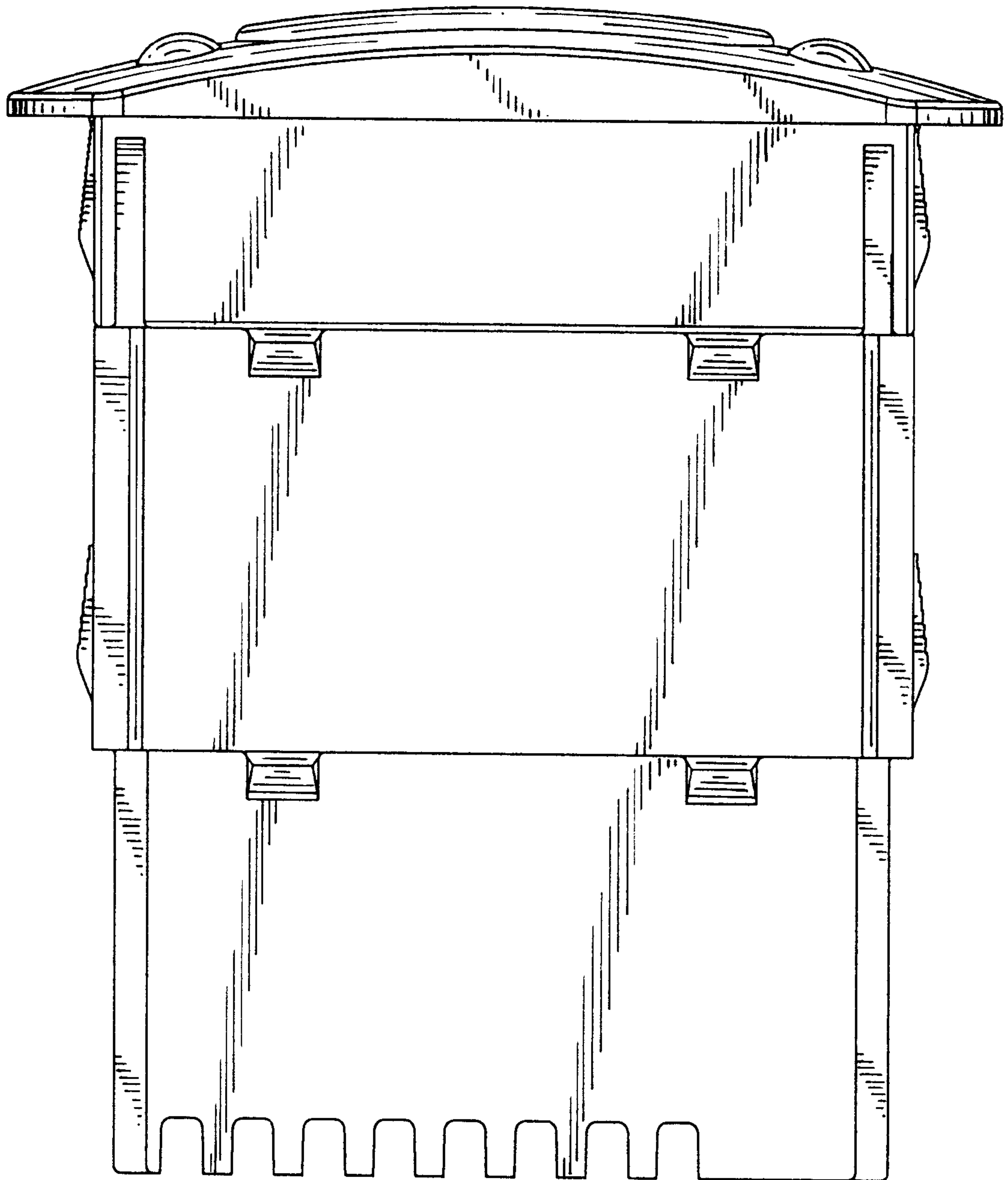


FIG. 19

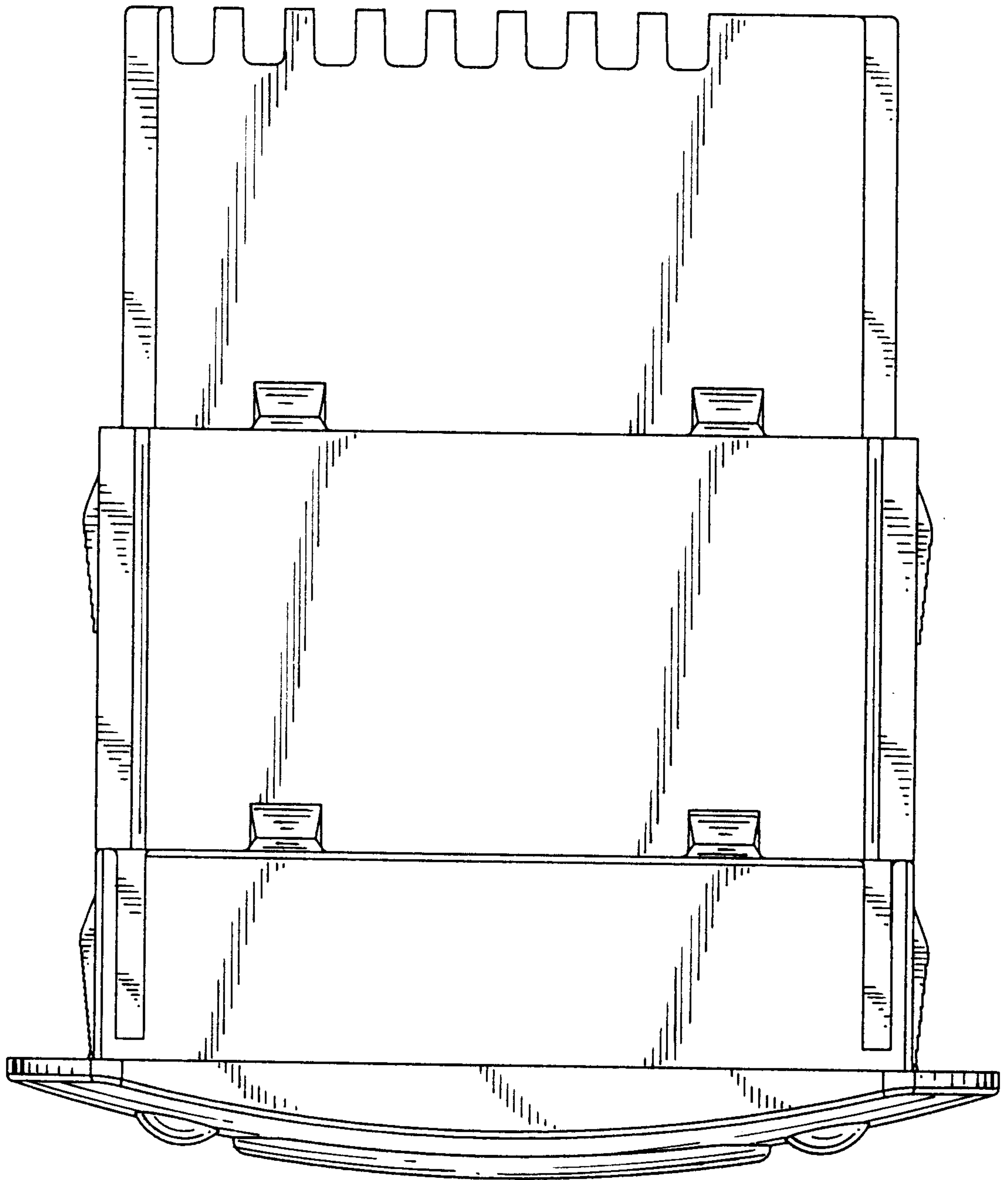


FIG. 20

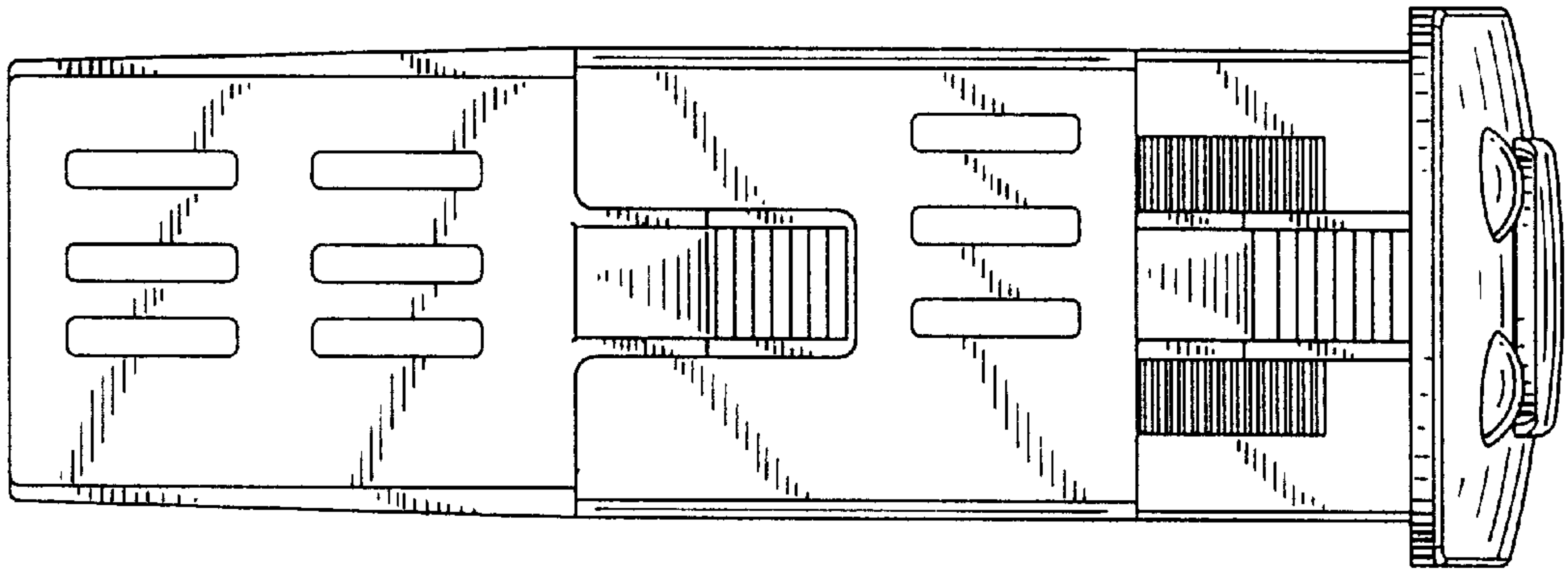


FIG. 21

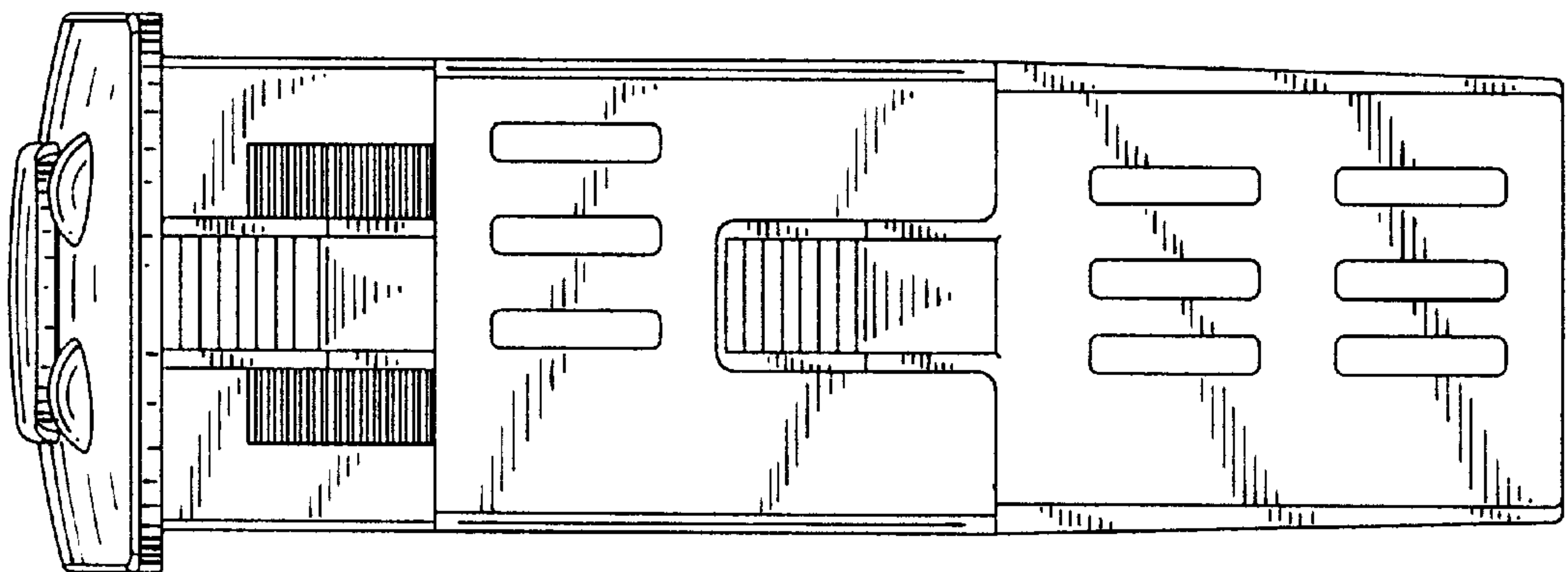


FIG. 22

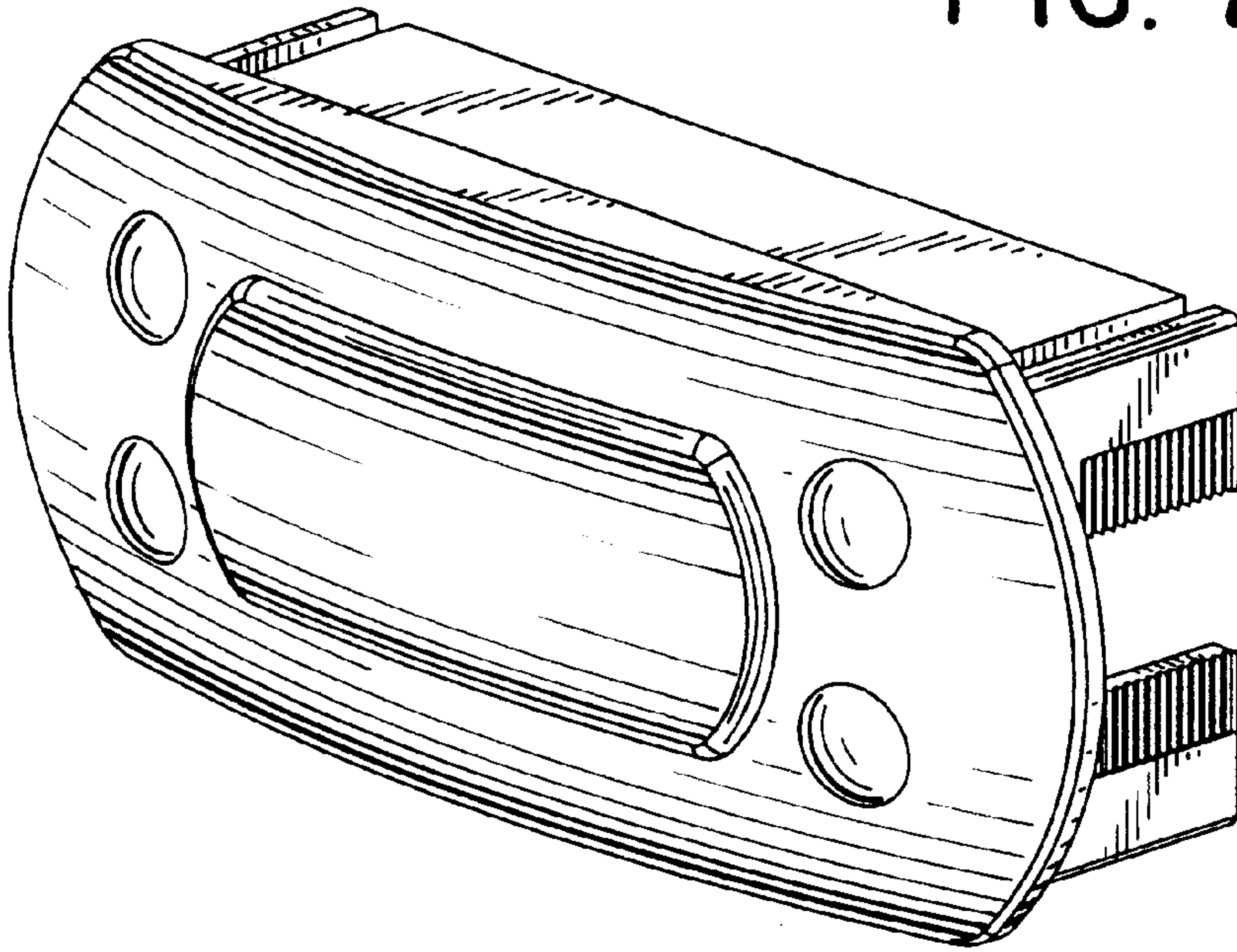


FIG. 23

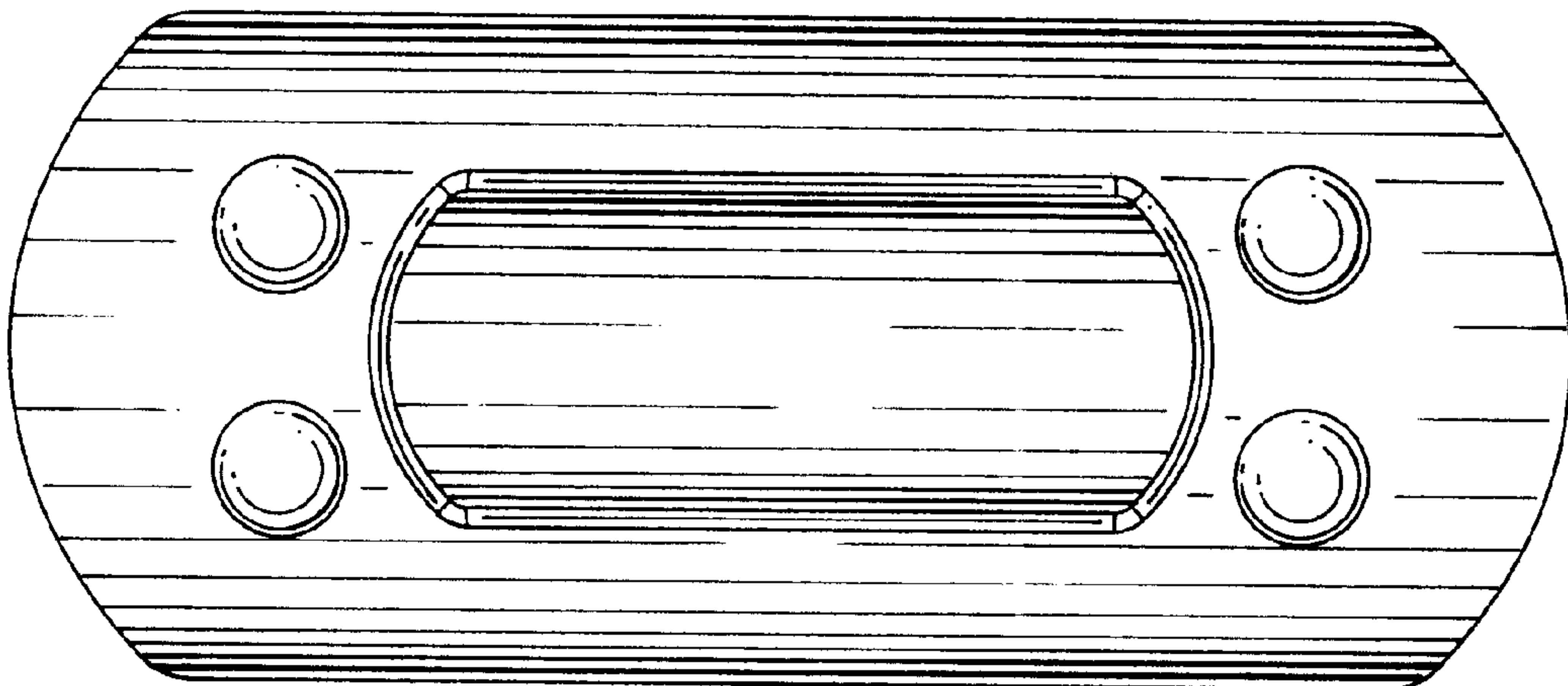


FIG. 24

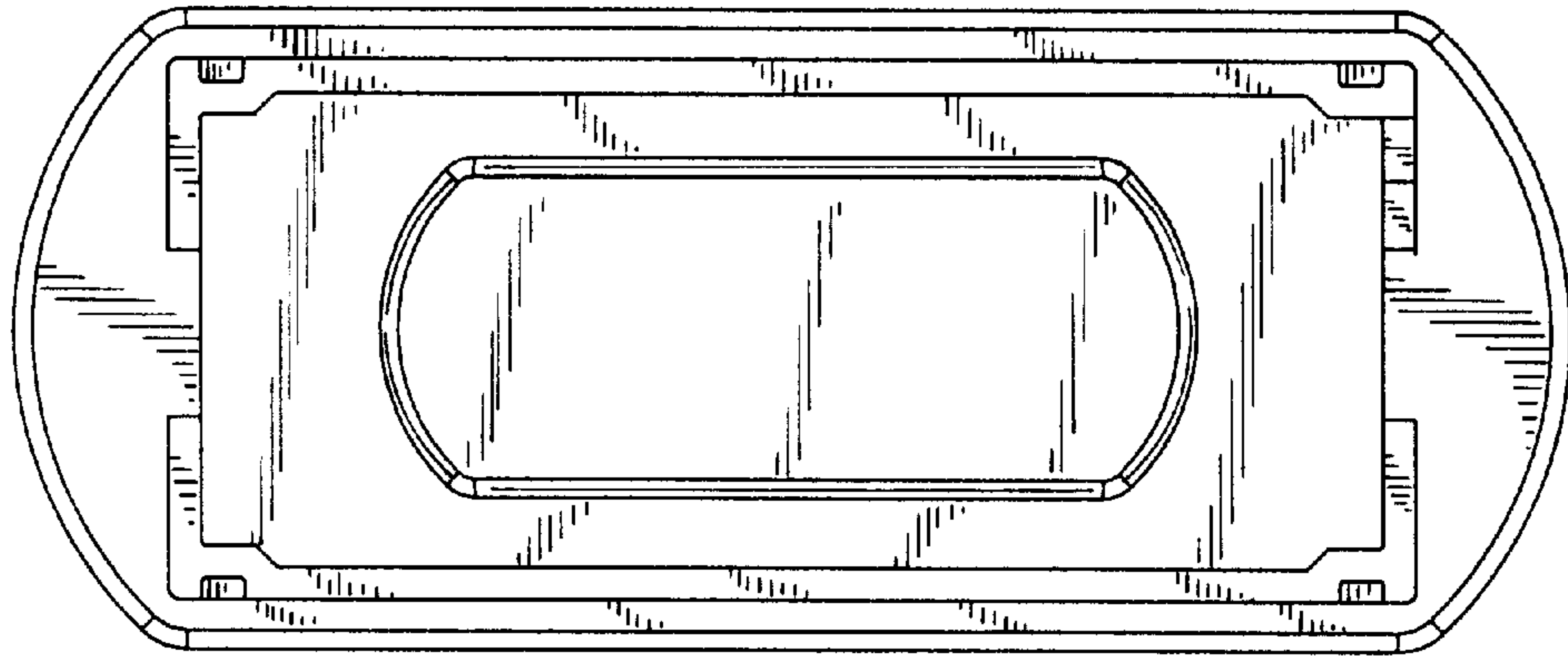


FIG. 25

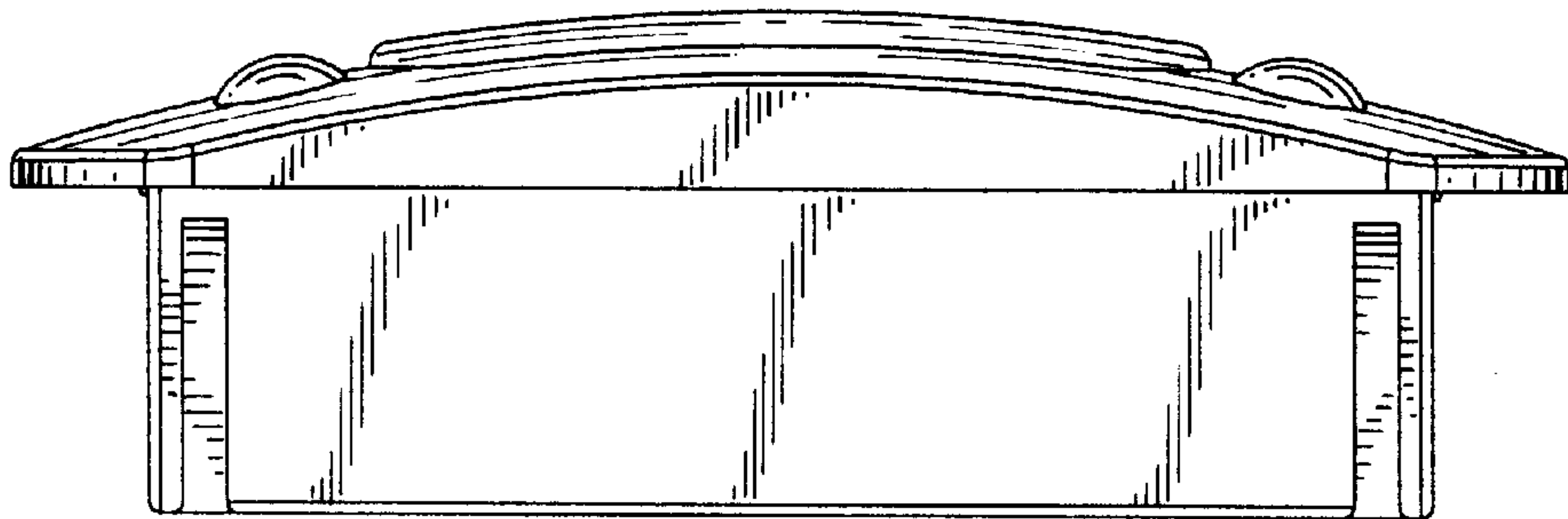


FIG. 26

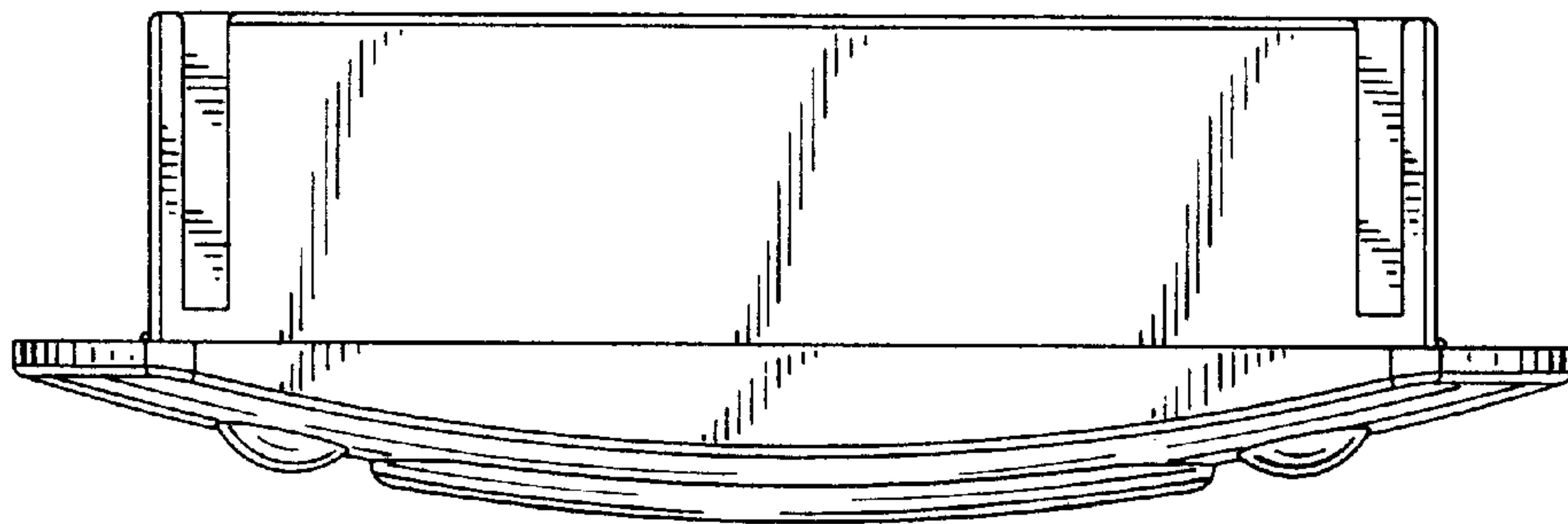


FIG. 27

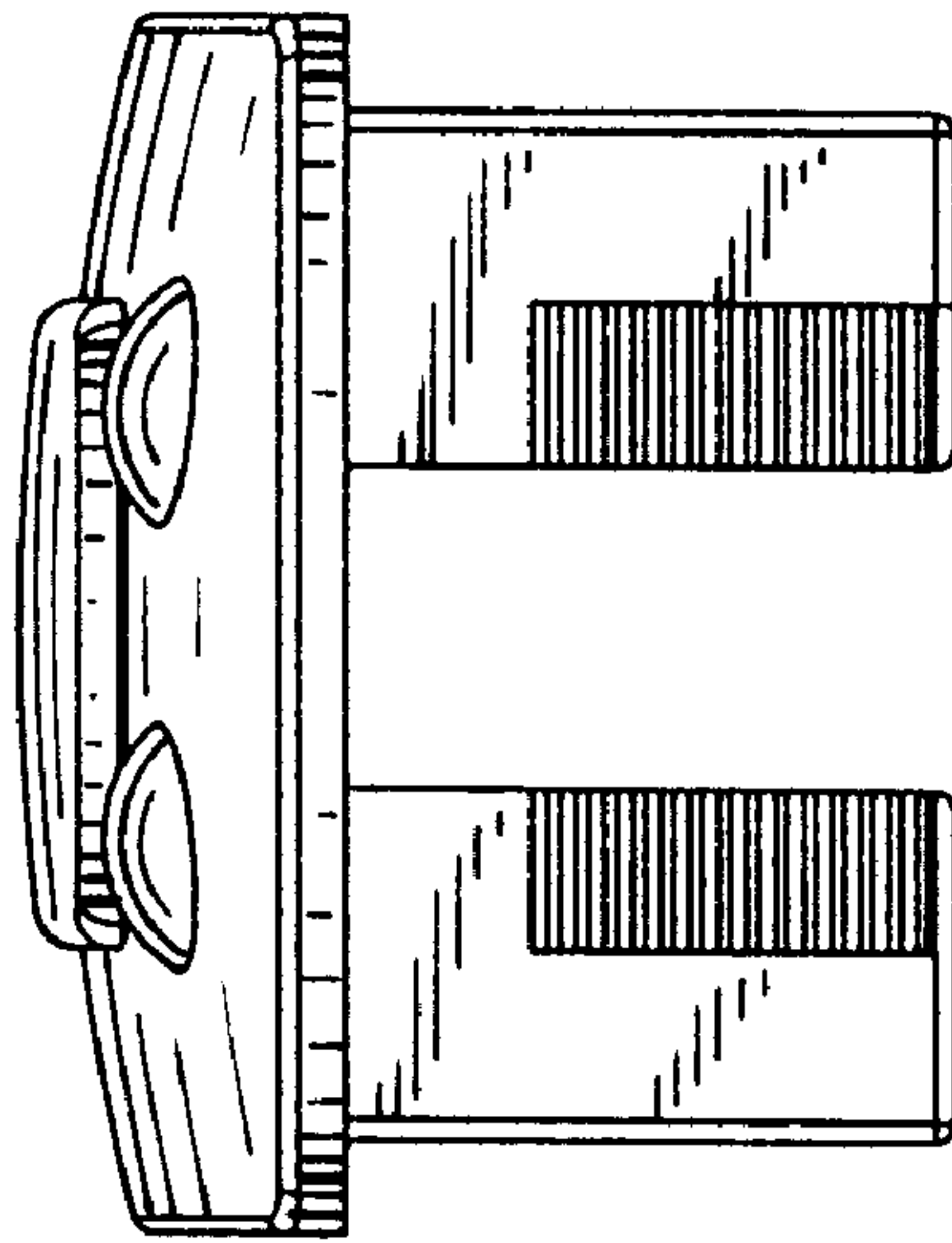


FIG. 28

