



US00D429696S

United States Patent [19]
Taylor

[11] **Patent Number: Des. 429,696**

[45] **Date of Patent: ** *Aug. 22, 2000**

[54] **SWITCH**

5,584,555 12/1996 Larsson 200/314

[75] Inventor: **John F. Taylor**, Ortonville, Mich.

OTHER PUBLICATIONS

Hong Kong Enterprise Catalog, Feb. 1990 p. 146.

[73] Assignee: **Safety Technology International, Inc.**,
Waterford, Mich.

Primary Examiner—Adir Aronovich
Attorney, Agent, or Firm—Gifford, Krass, Groh, Sprinkle,
Anderson & Citkowski, P.C.

[*] Notice: This patent is subject to a terminal disclaimer.

[**] Term: **14 Years**

[57] **CLAIM**

The ornamental design for a switch, as shown and described.

[21] Appl. No.: **29/093,753**

DESCRIPTION

[22] Filed: **Sep. 17, 1998**

FIG. 1 is a perspective view of the design of the present invention;

[51] **LOC (7) Cl.** **13-03**

[52] **U.S. Cl.** **D13/158; D10/106**

FIG. 2 is a top elevational view of the design shown in FIG. 1;

[58] **Field of Search** D10/104, 106;
D13/156, 158, 171; 200/43.04, 43.11, 43.13,
43.18, 314

FIG. 3 is a front elevational view as seen from the left side of FIG. 1;

FIG. 4 is a bottom elevational view of the design shown in FIG. 1;

[56] **References Cited**

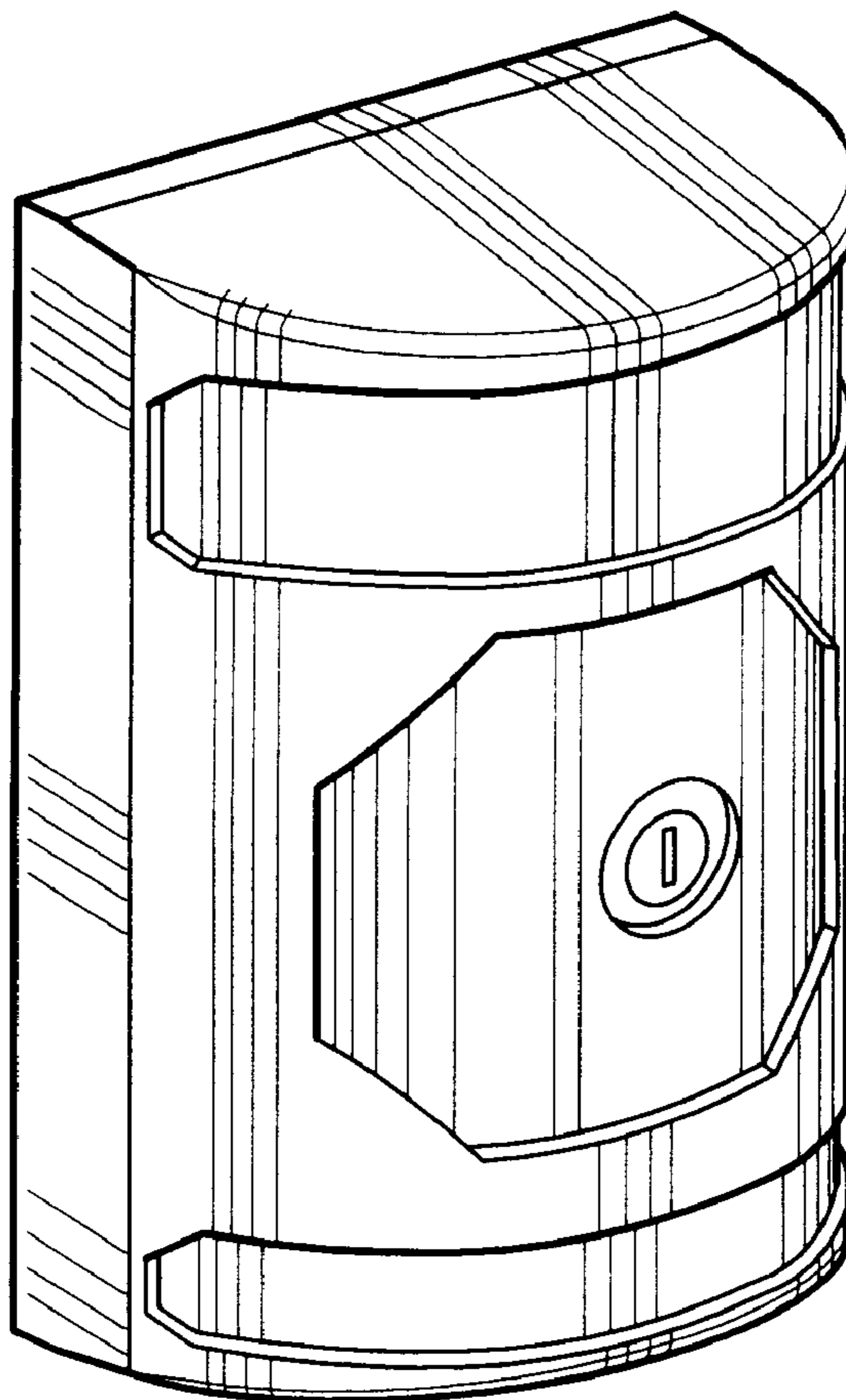
U.S. PATENT DOCUMENTS

- D. 312,054 11/1990 Melman D10/106
- D. 327,471 6/1992 Frick D13/158
- D. 343,386 1/1994 Mueller D13/158
- 4,713,509 12/1987 Chebowski 200/43.18

FIG. 5 is a side elevational view of the design shown in FIG. 1; and,

FIG. 6 is a rear elevational view of the design shown in FIG. 1.

1 Claim, 1 Drawing Sheet



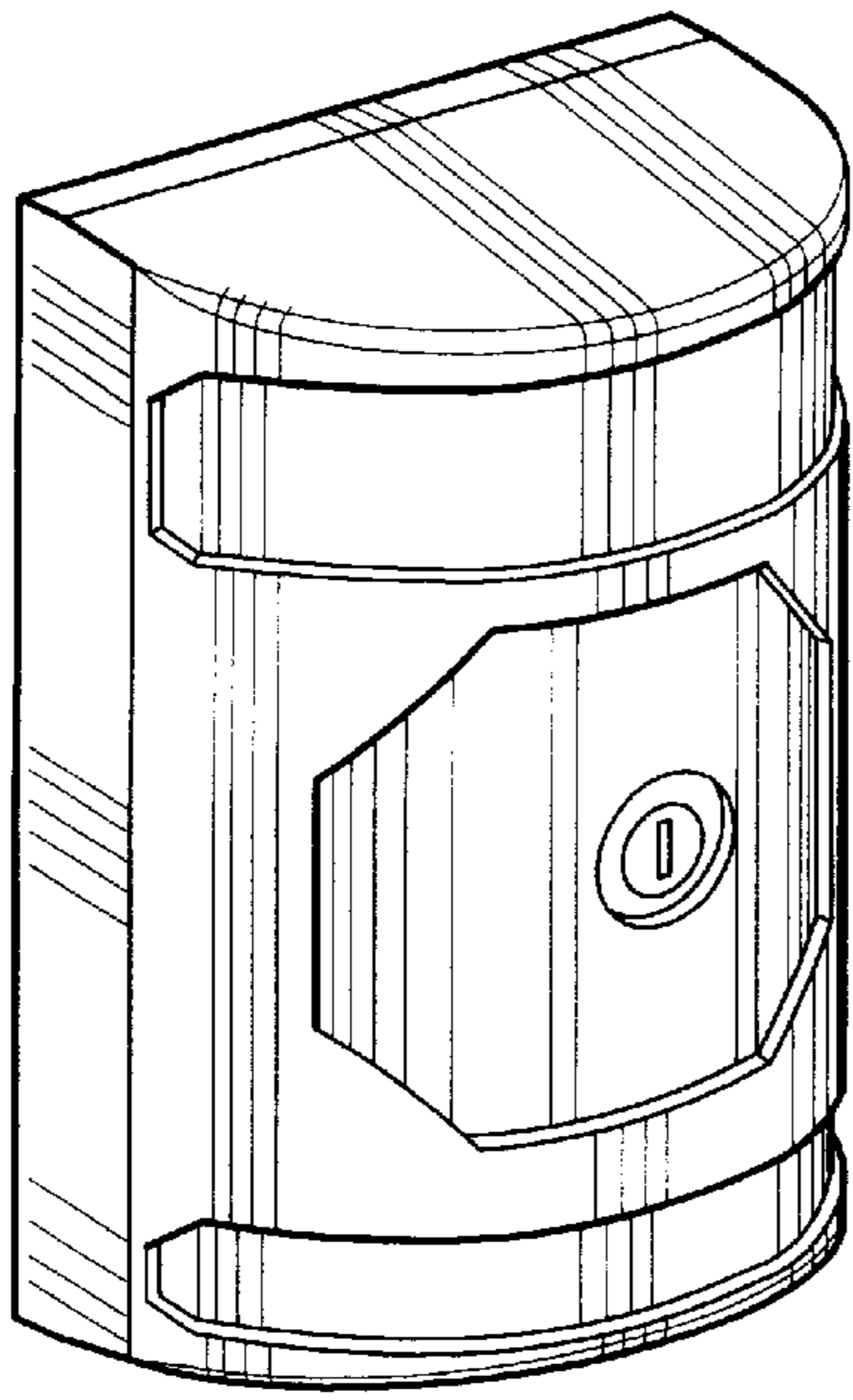


Fig-1

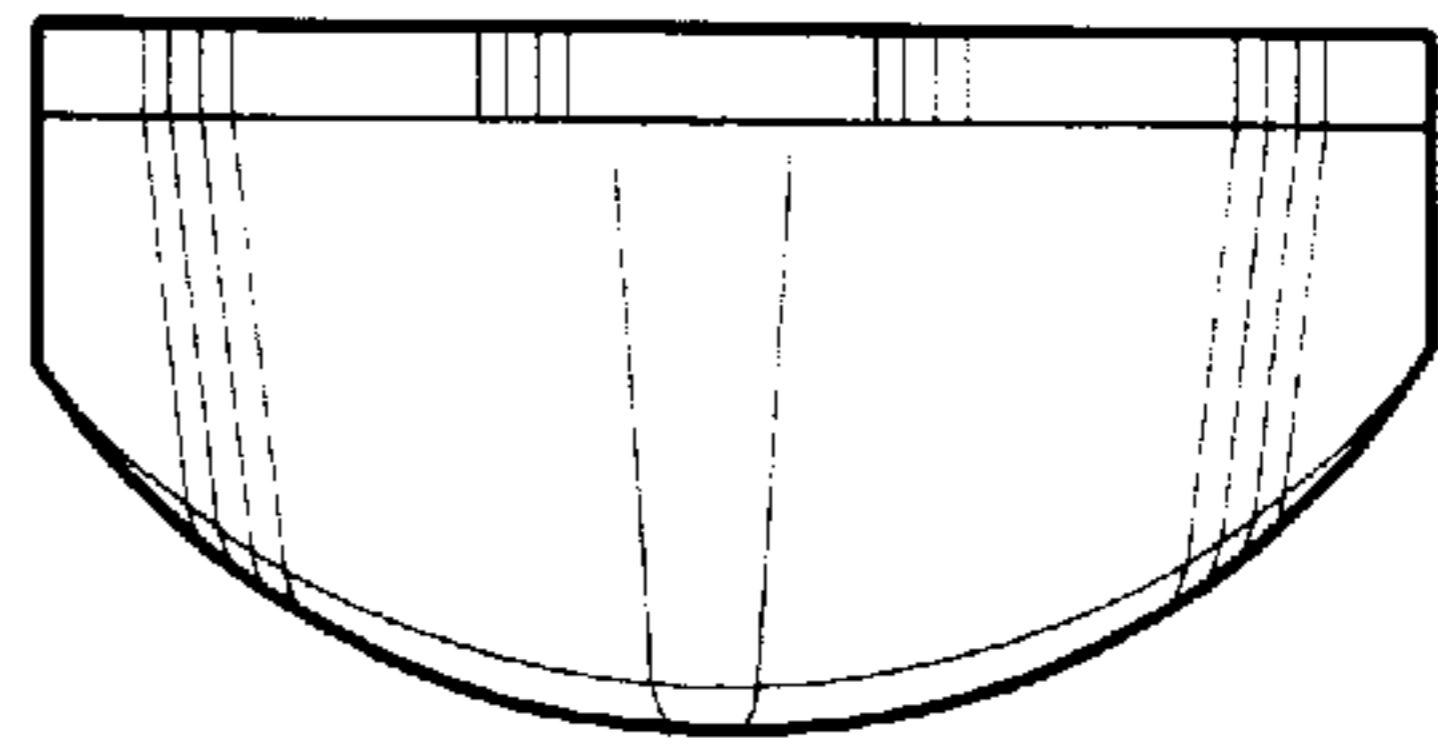


Fig-2

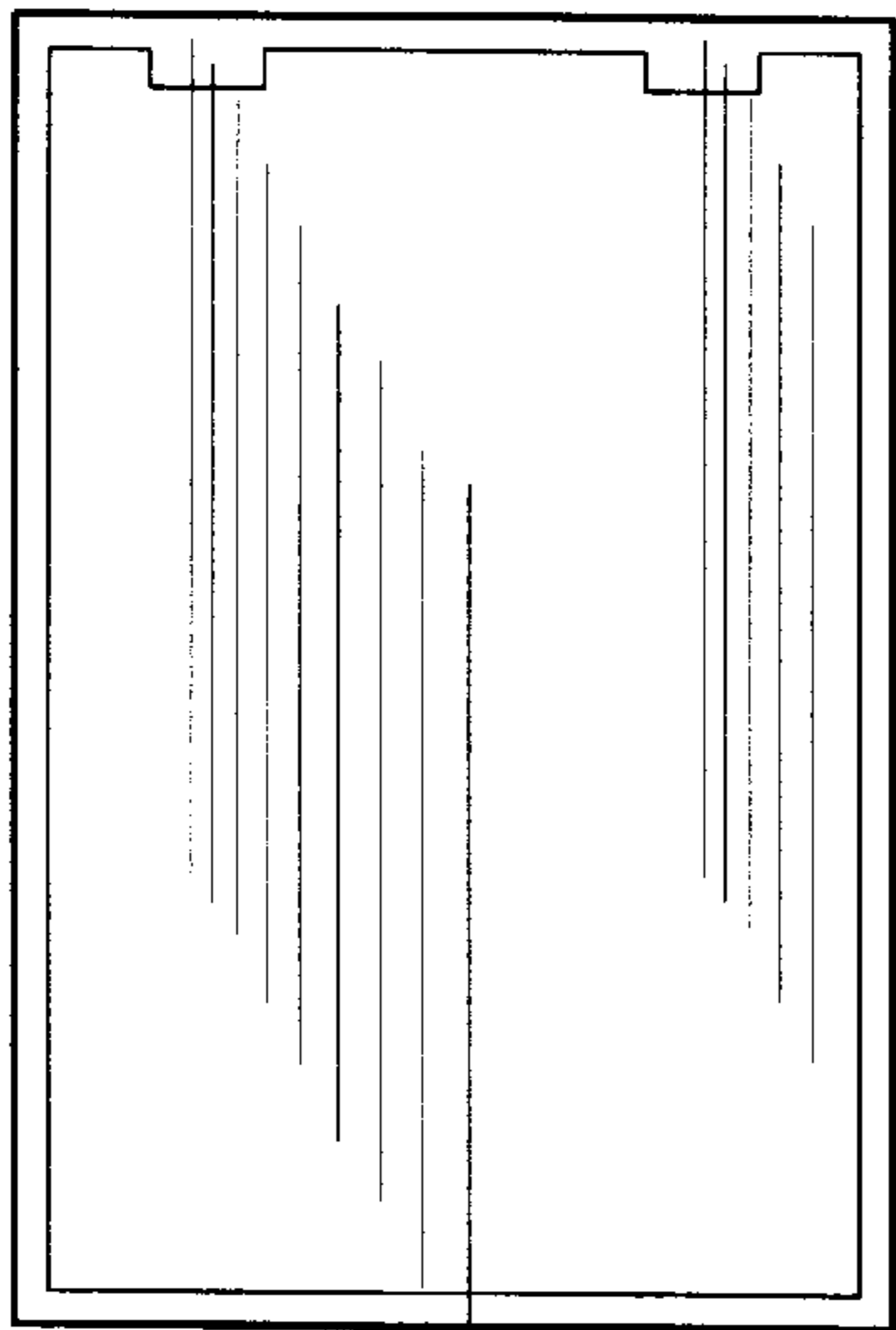


Fig-6

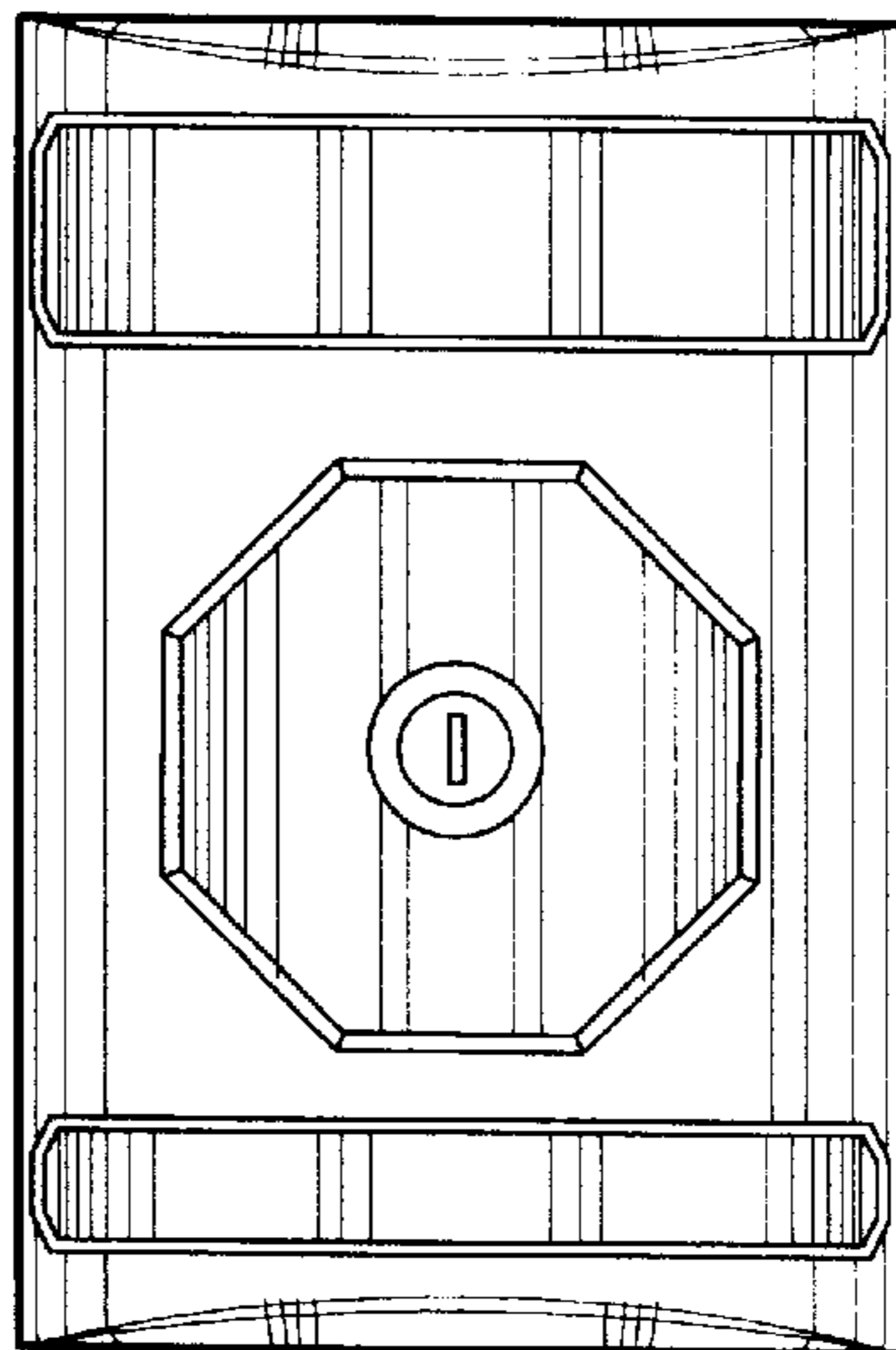


Fig-3

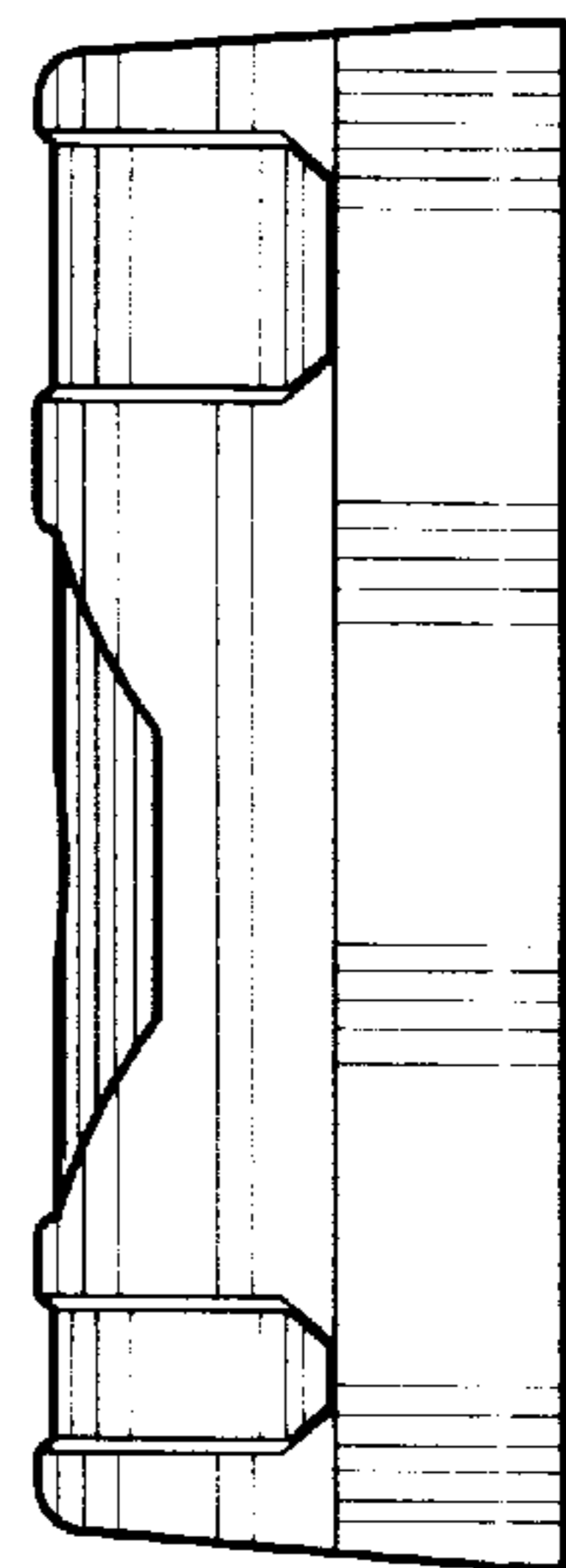


Fig-5

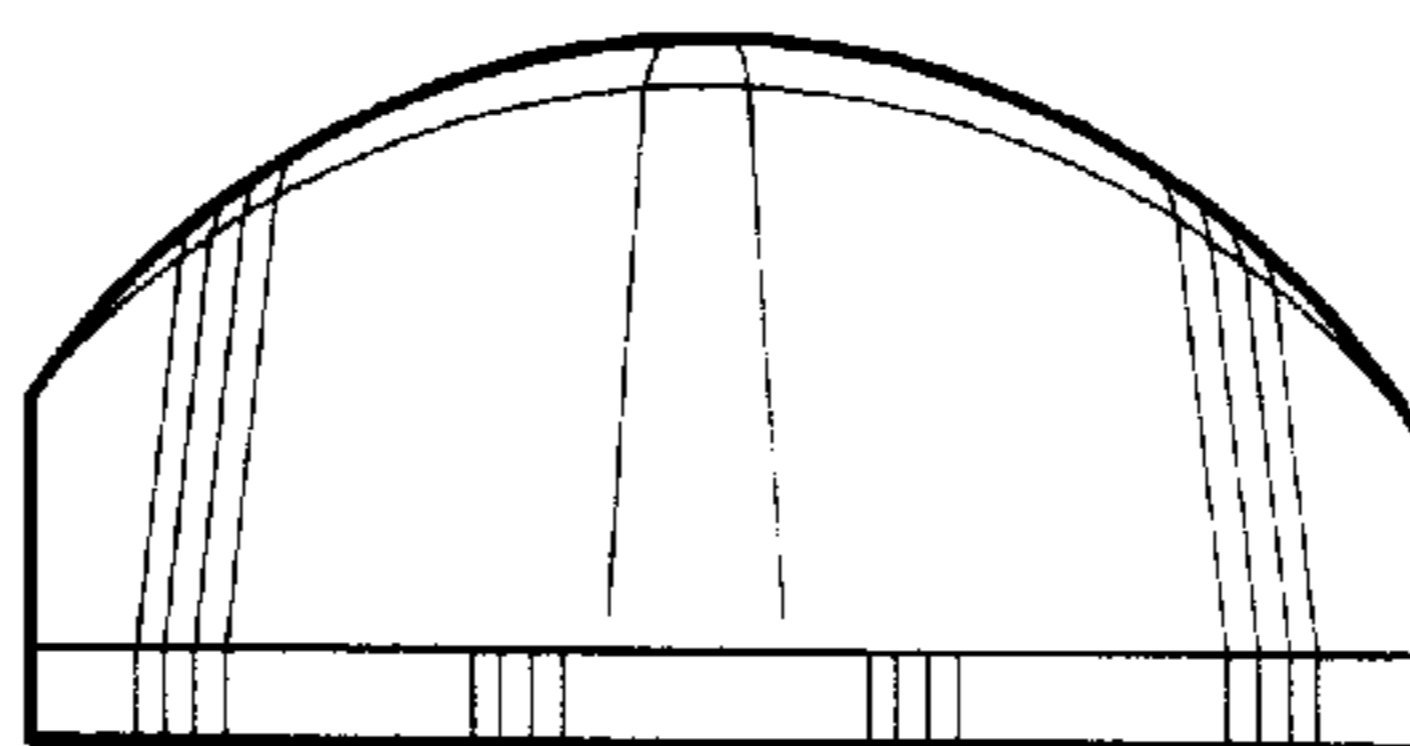


Fig-4