



US00D429693S

United States Patent [19] Hwang

[11] **Patent Number: Des. 429,693**

[45] **Date of Patent: ** Aug. 22, 2000**

[54] **ELECTRICAL CABLE CONNECTOR**

5,397,246 3/1995 Defibaugh et al. 439/607 X
6,053,773 4/2000 Wu 439/609

[75] Inventor: **Jenq-Yih Hwang**, Santa Clara, Calif.

[73] Assignee: **Hon Hai Precision Ind. Co., Ltd.**,
Taiepi Hsien, Taiwan

Primary Examiner—Joel Sincavage
Attorney, Agent, or Firm—Wei Te Chung

[**] Term: **14 Years**

[57] **CLAIM**

[21] Appl. No.: **29/121,793**

The ornamental design for an electrical cable connector, as shown.

[22] Filed: **Apr. 12, 2000**

DESCRIPTION

[51] **LOC (7) Cl.** **13-03**

[52] **U.S. Cl.** **D13/147**

[58] **Field of Search** D13/146, 147;
439/607-610, 660, 668, 677, 680, 540.1,
541.5, 159

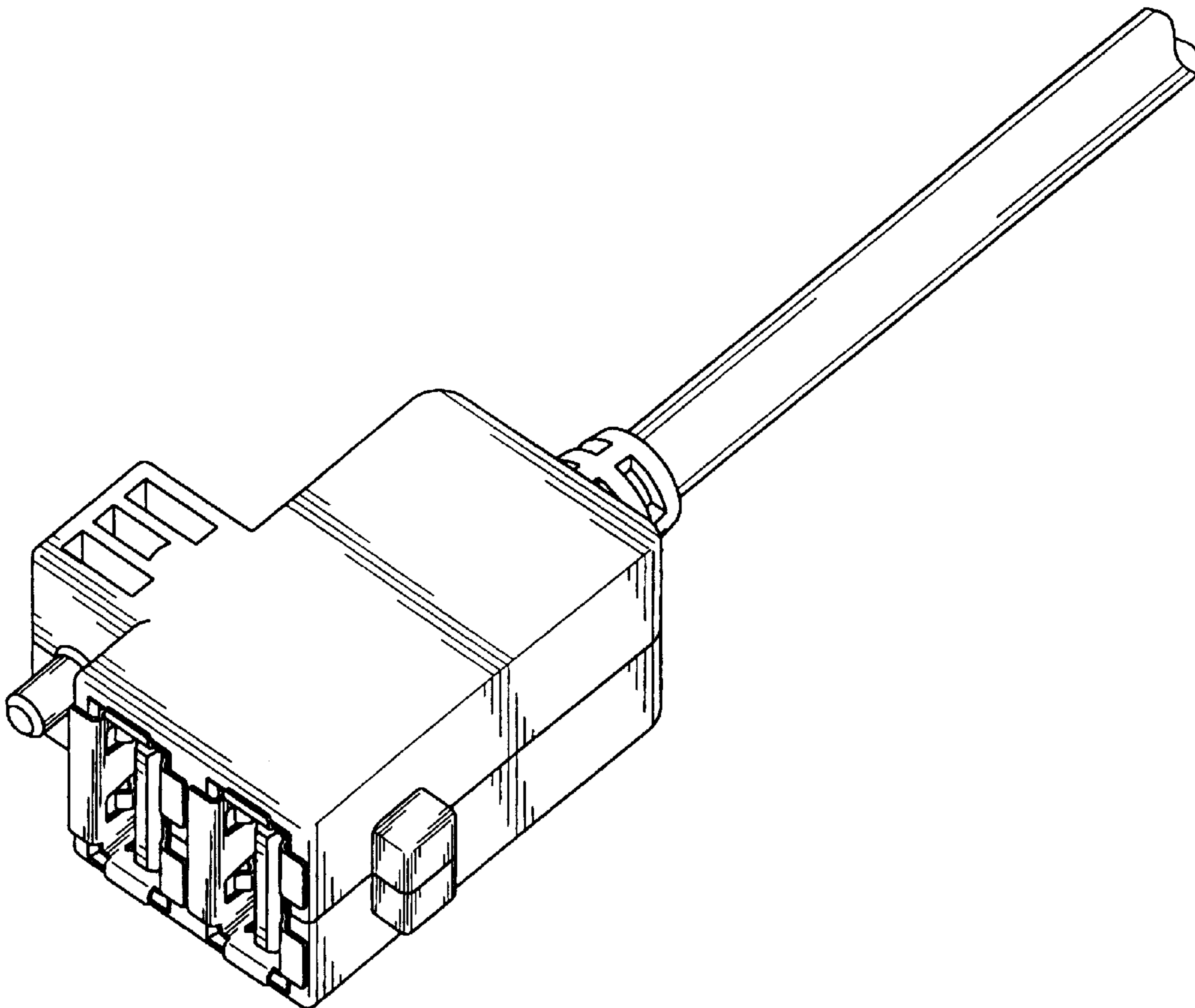
FIG. 1 is a front, top and right side perspective view of an electrical cable connector showing my new design;
FIG. 2 is a front elevational view thereof;
FIG. 3 is a rear elevational view thereof;
FIG. 4 is a left side elevational view thereof;
FIG. 5 is a right side elevational view thereof;
FIG. 6 is a top plan view thereof; and,
FIG. 7 is a bottom plan view thereof.

[56] **References Cited**

U.S. PATENT DOCUMENTS

D. 409,572 5/1999 Putten D13/147

1 Claim, 6 Drawing Sheets



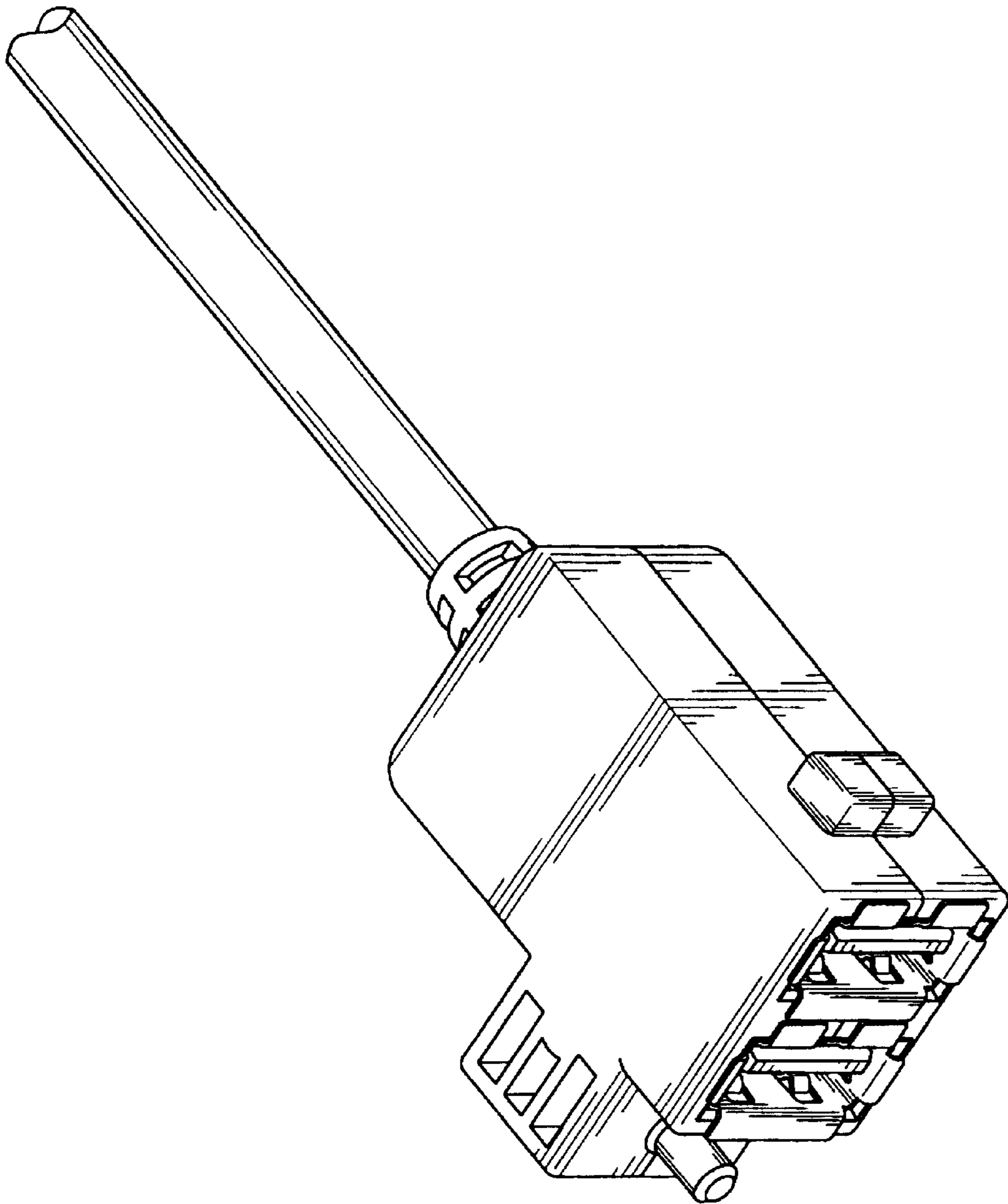


FIG. 1

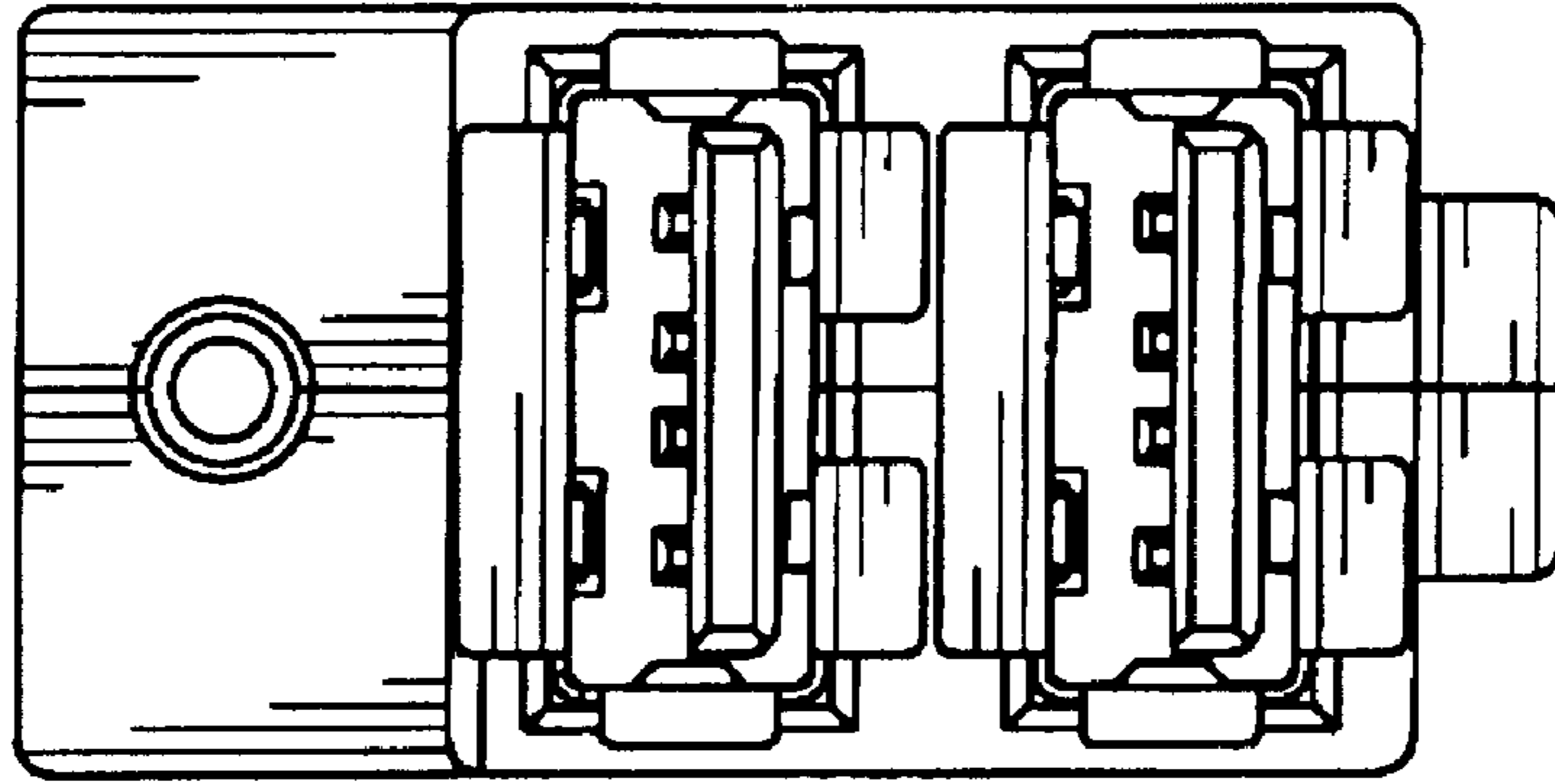


FIG. 2

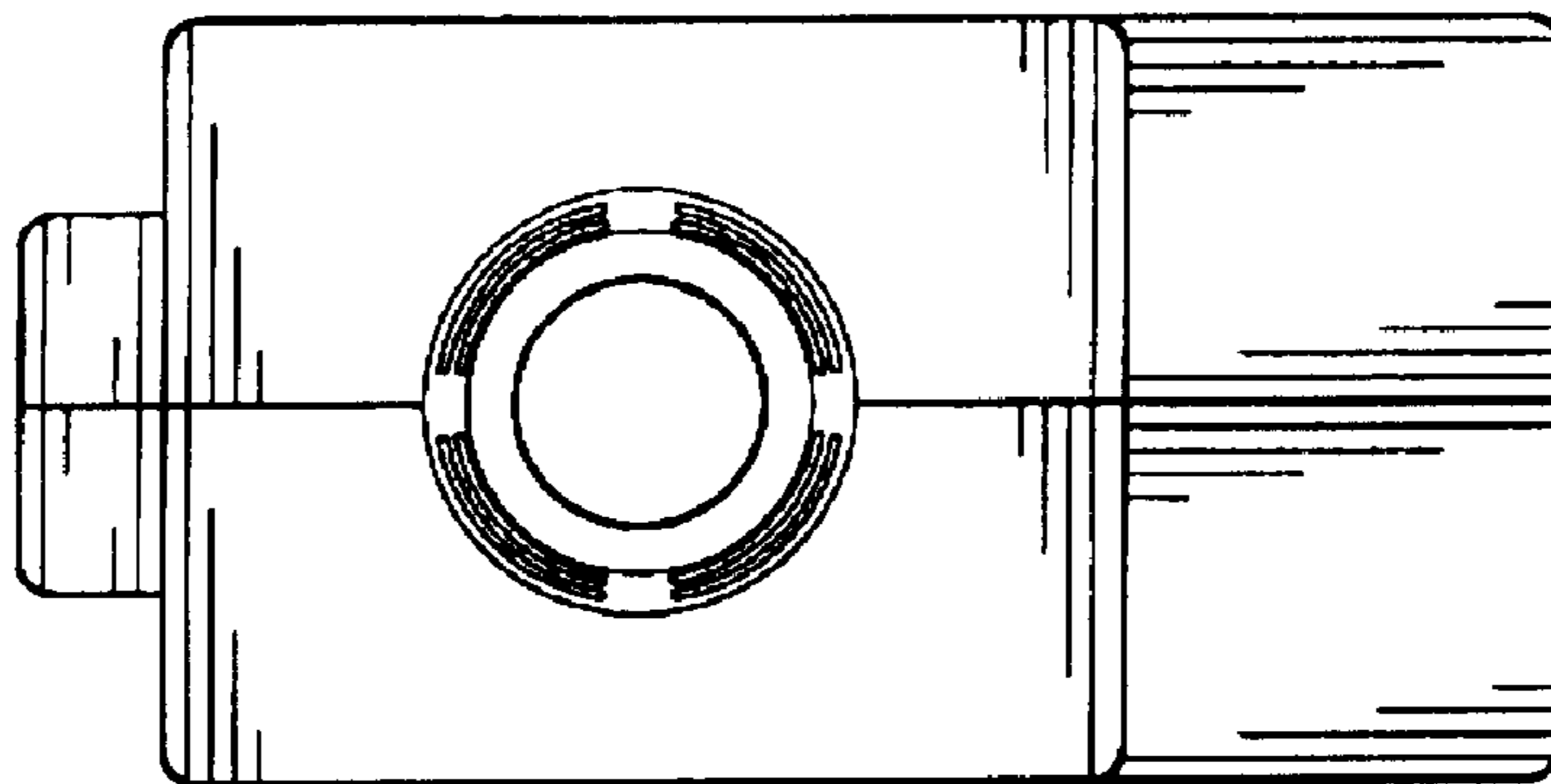


FIG. 3

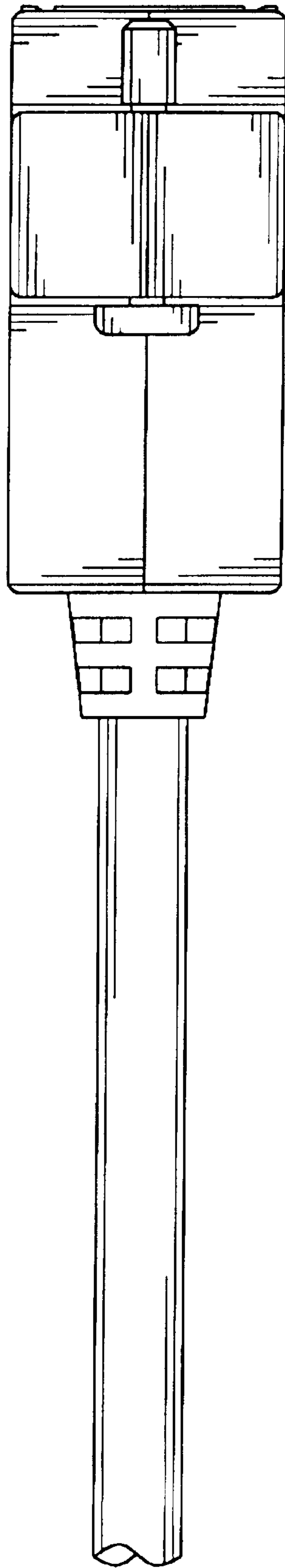


FIG. 4

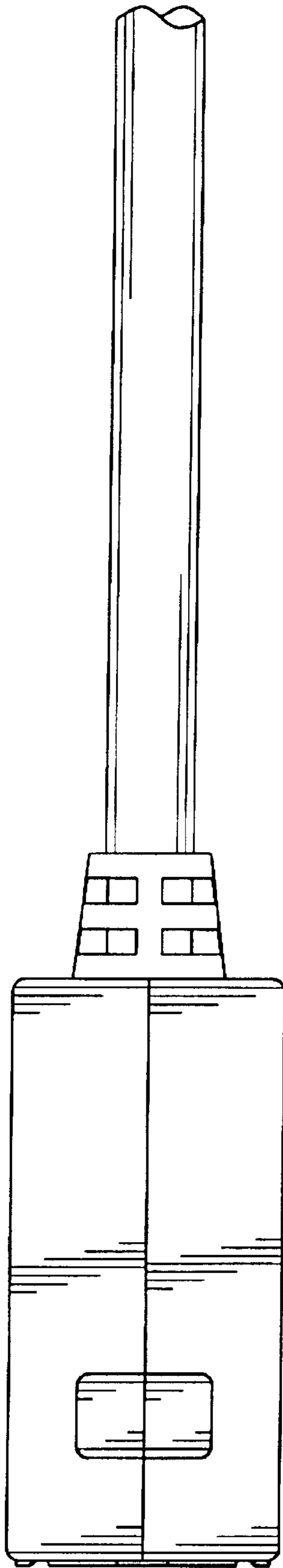


FIG. 5

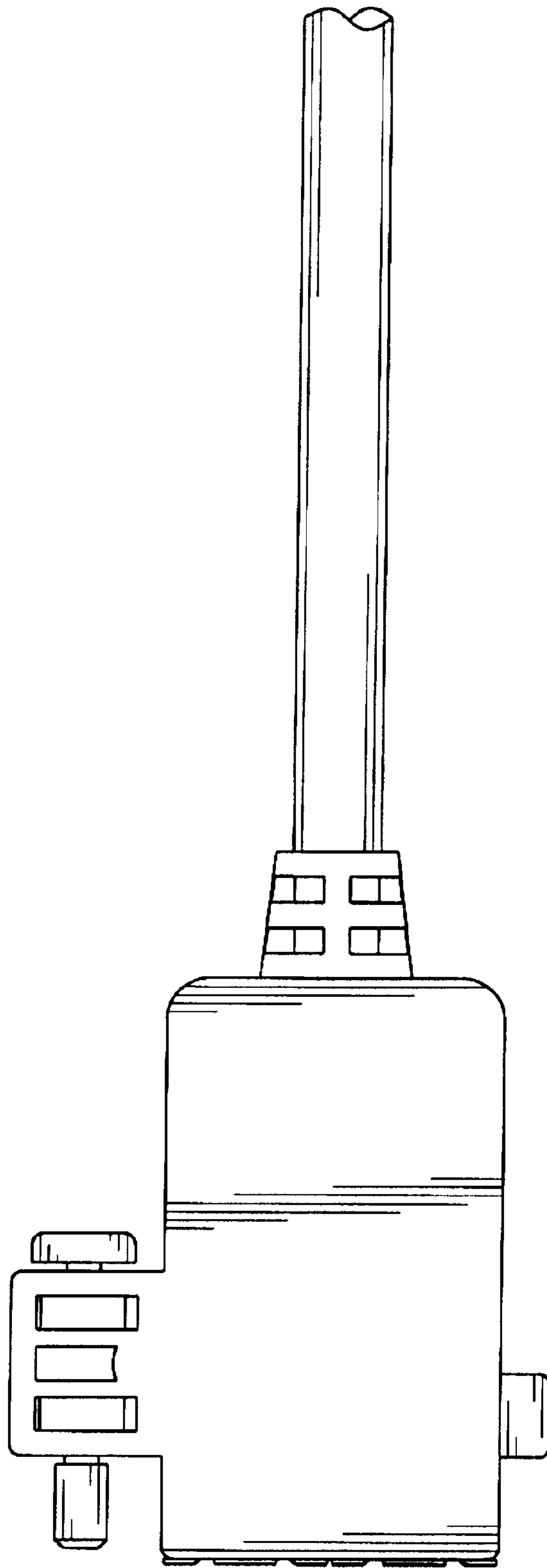


FIG. 6

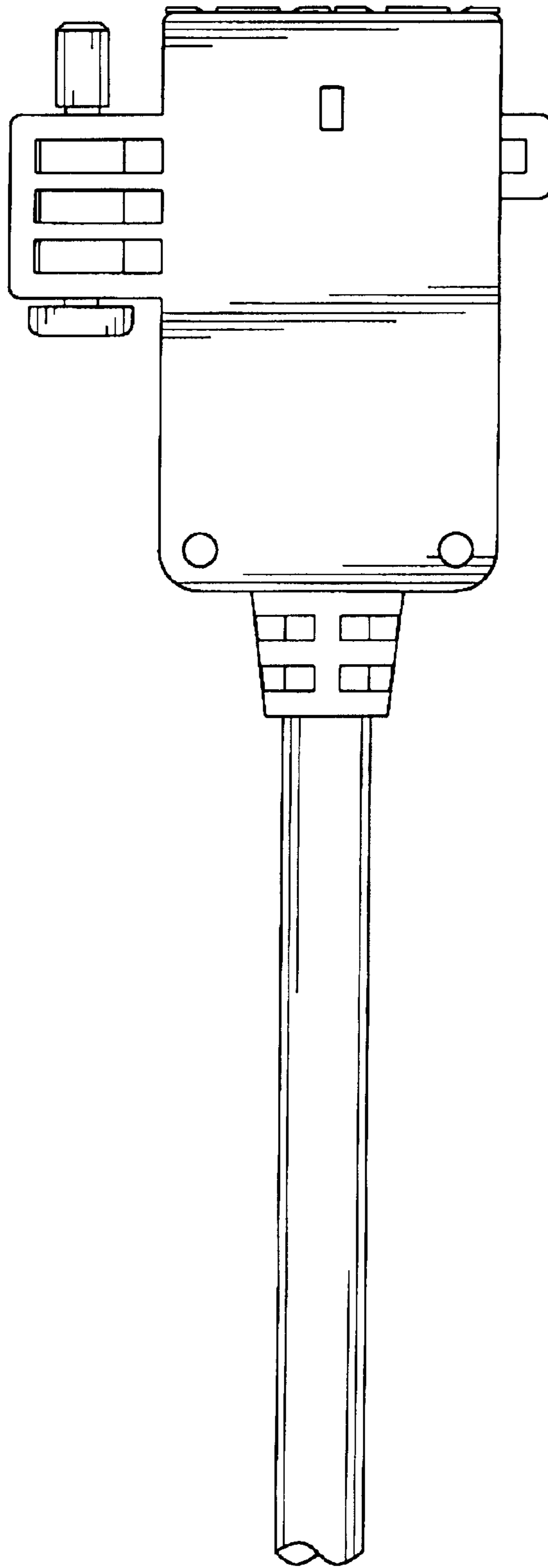


FIG. 7