



US00D429690S

United States Patent [19]
Fristedt

[11] **Patent Number: Des. 429,690**

[45] **Date of Patent: ** Aug. 22, 2000**

[54] **CONNECTING PLUG**

[76] Inventor: **Tommy Fristedt**, Stockeryd, S-560 25
Bottnaryd, Sweden

[**] Term: **14 Years**

[21] Appl. No.: **29/094,929**

[22] Filed: **Oct. 14, 1998**

[30] **Foreign Application Priority Data**

Apr. 14, 1994 [SE] Sweden 980826

[51] **LOC (7) Cl.** **13-03**

[52] **U.S. Cl.** **D13/146**

[58] **Field of Search** D13/133, 146,
D13/147; 439/350, 352, 354, 357, 489

[56] **References Cited**

U.S. PATENT DOCUMENTS

D. 323,141 1/1992 Sueyoshi et al. D13/133
D. 324,026 2/1992 Ichida et al. D13/133

D. 402,628 12/1998 Canuto et al. D13/133
4,993,967 2/1991 Matsumoto 439/489
5,873,747 2/1999 Tsuji 439/357

Primary Examiner—Joel Sincavage
Attorney, Agent, or Firm—Lerner, David, Littenberg,
Krumholz & Mentlik, LLP

[57] **CLAIM**

The ornamental design for a connecting plug, as shown and described.

DESCRIPTION

FIG. 1 is a front, perspective view of a connecting plug in accordance with the present invention, showing the right side thereof;

FIG. 2 is a rear, perspective view of the connecting plug shown in FIG. 1, showing the right side thereof;

FIG. 3 is a left side, elevational view of the connecting plug shown in FIG. 1; and,

FIG. 4 is a bottom, elevational view of the connecting plug shown in FIG. 1.

1 Claim, 1 Drawing Sheet

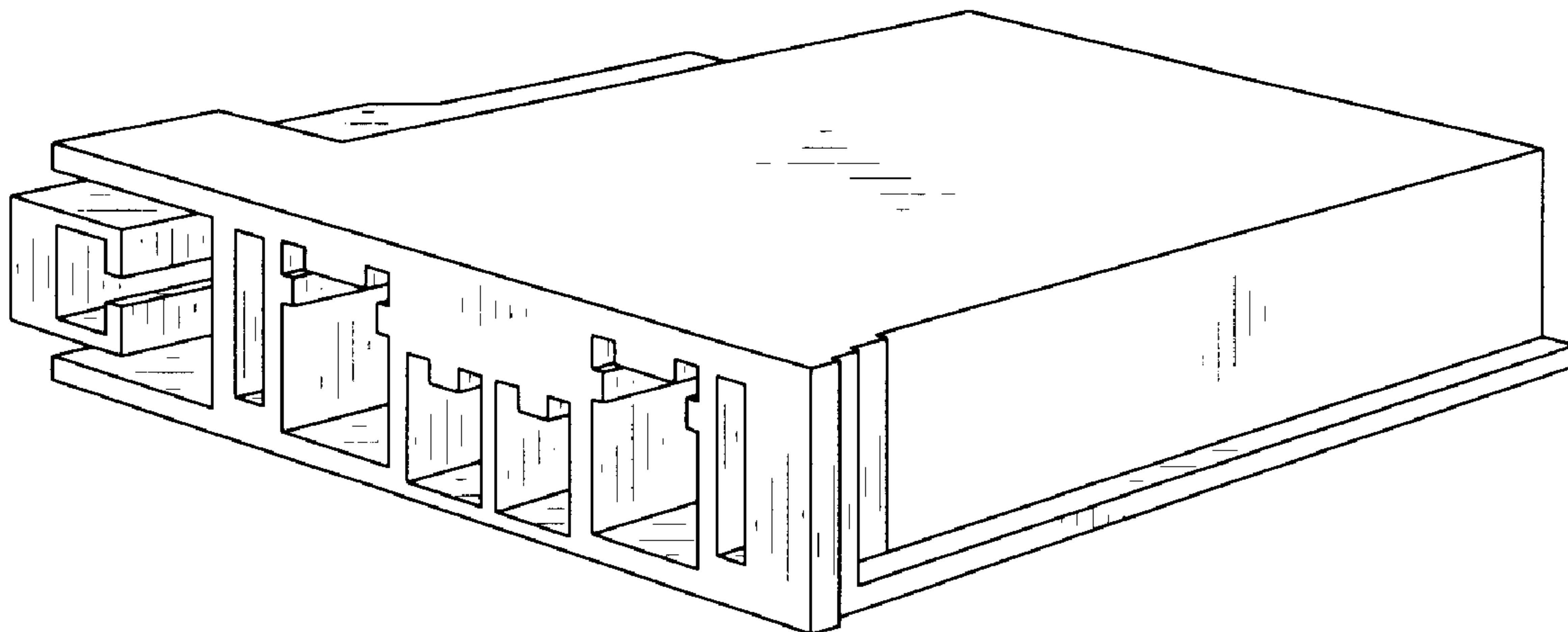


FIG. 1

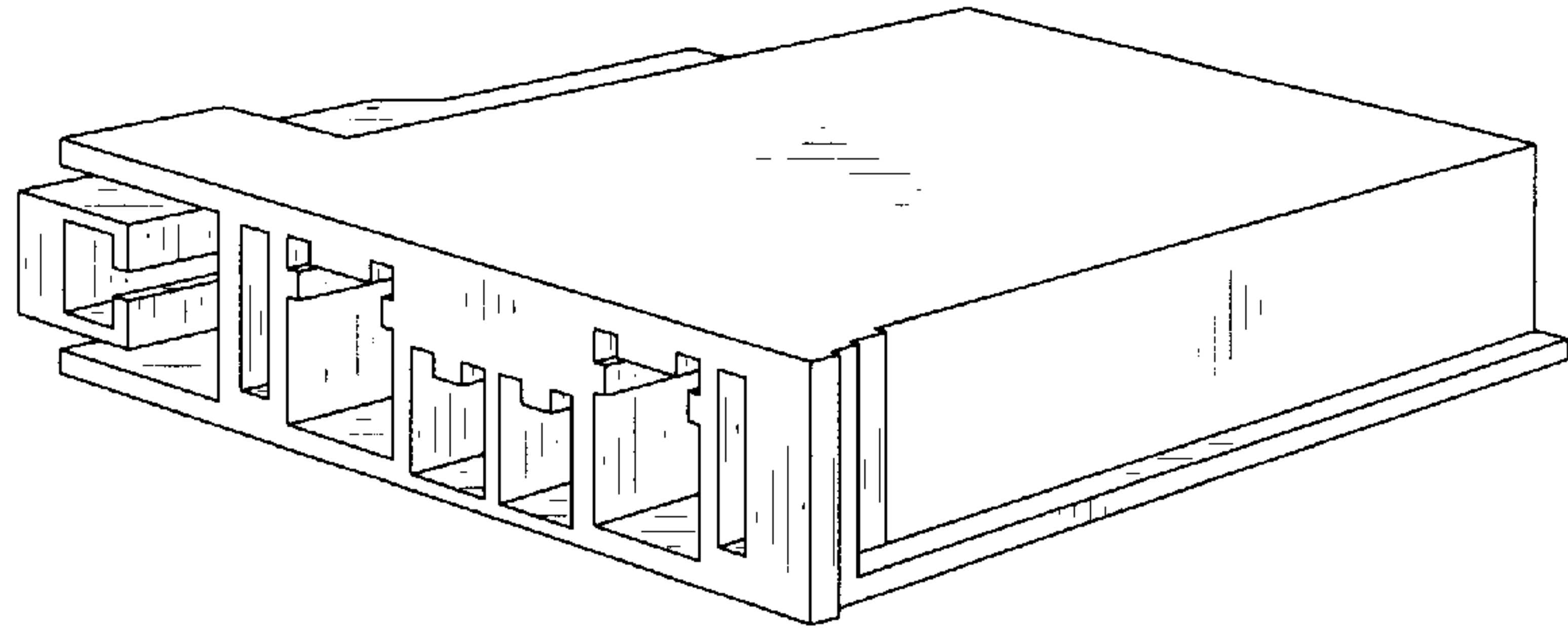


FIG. 2

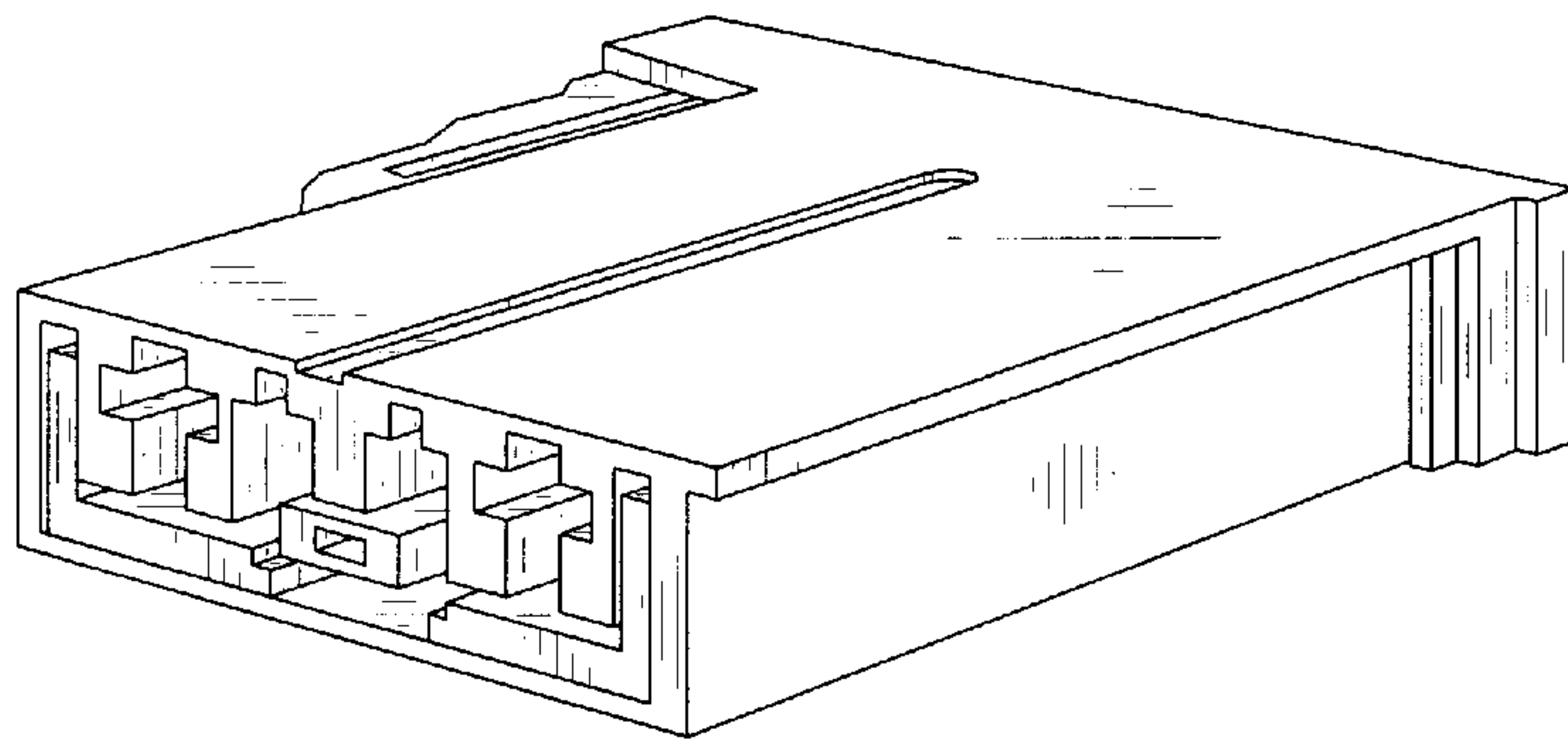


FIG. 3

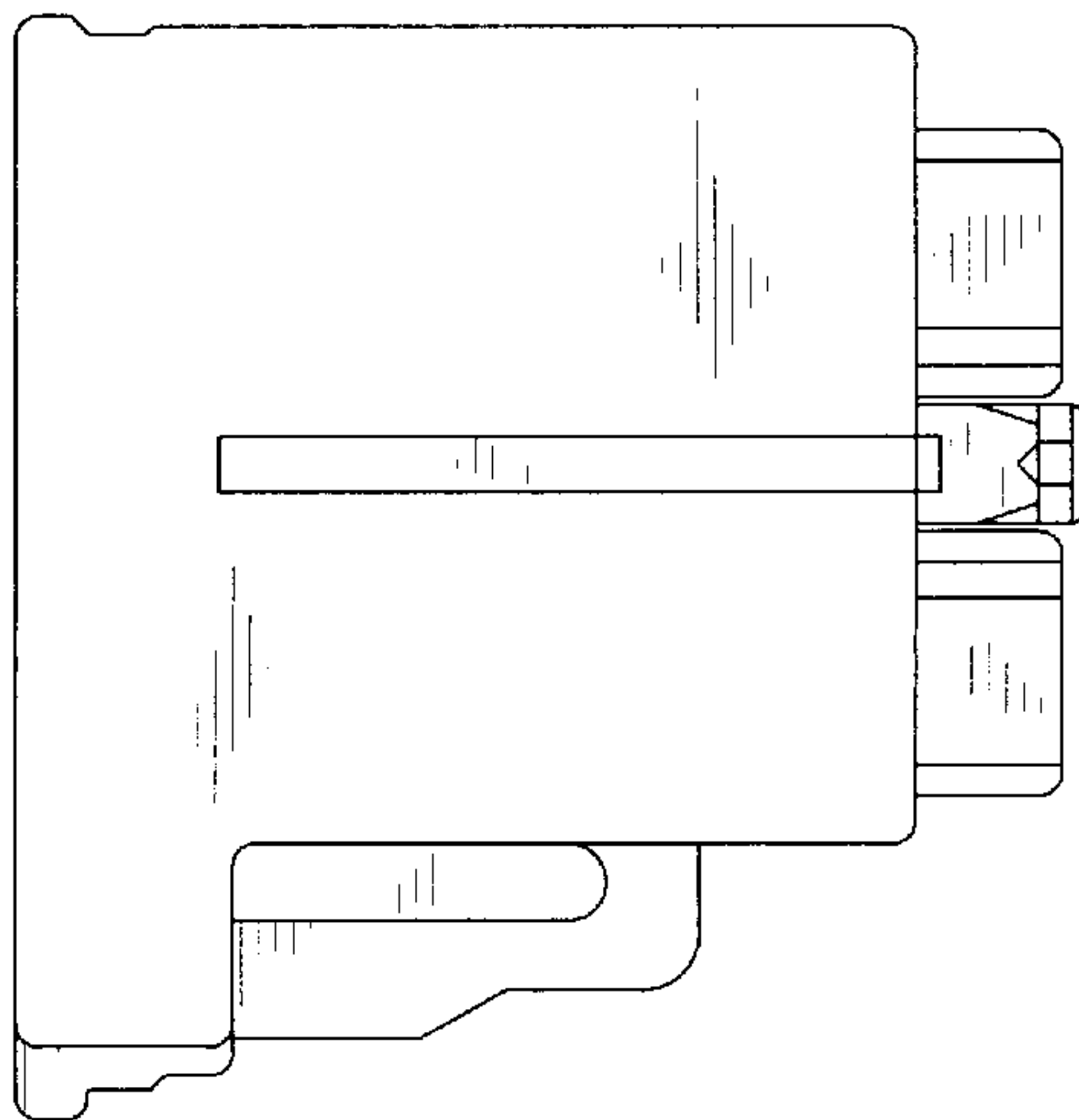


FIG. 4

