



US00D429689S

United States Patent [19]

Barragan, Jr.

[11] **Patent Number: Des. 429,689**

[45] **Date of Patent: ** Aug. 22, 2000**

[54] **AUTOMOBILE LIGHTER ADAPTER**

[76] Inventor: **Ernest Barragan, Jr.**, 525 Tumbleweed Rd., Anaheim, Calif. 92807

[**] Term: **14 Years**

[21] Appl. No.: **29/100,511**

[22] Filed: **Feb. 11, 1999**

[51] **LOC (7) Cl. 13-03**

[52] **U.S. Cl. D13/144**

[58] **Field of Search** D13/144, 108;
439/490, 668, 669, 488, 489, 675, 622;
337/216, 186, 187

[56] **References Cited**

U.S. PATENT DOCUMENTS

D. 348,250	6/1994	Shababy	D13/144
D. 384,937	10/1997	Liu	D13/144 X
D. 392,617	3/1998	Yokozawa	D13/144
D. 406,261	3/1999	Kettula et al.	D13/144
D. 409,568	5/1999	Lindahl	D13/144

Primary Examiner—Susan J. Lucas
Assistant Examiner—Jennifer Rivard

[57] **CLAIM**

The ornamental design for a automobile lighter adapter, as shown and described.

DESCRIPTION

FIG. 1 is a left side elevational view of the automobile lighter adapter of the present invention;
 FIG. 2 is a right side elevational view of the automobile lighter adapter of FIG. 1;
 FIG. 3 is a front elevational view of the automobile lighter adapter of FIG. 1;
 FIG. 4 is a back elevational view of the automobile lighter adapter of FIG. 1;
 FIG. 5 is a top plan view of the automobile lighter adapter of FIG. 1; and,
 FIG. 6 is a bottom plan view of the automobile lighter adapter of FIG. 1.
 The cross-hatch pattern as shown on FIGS. 5 and 6 are illustrative of a knurled surface.

1 Claim, 3 Drawing Sheets

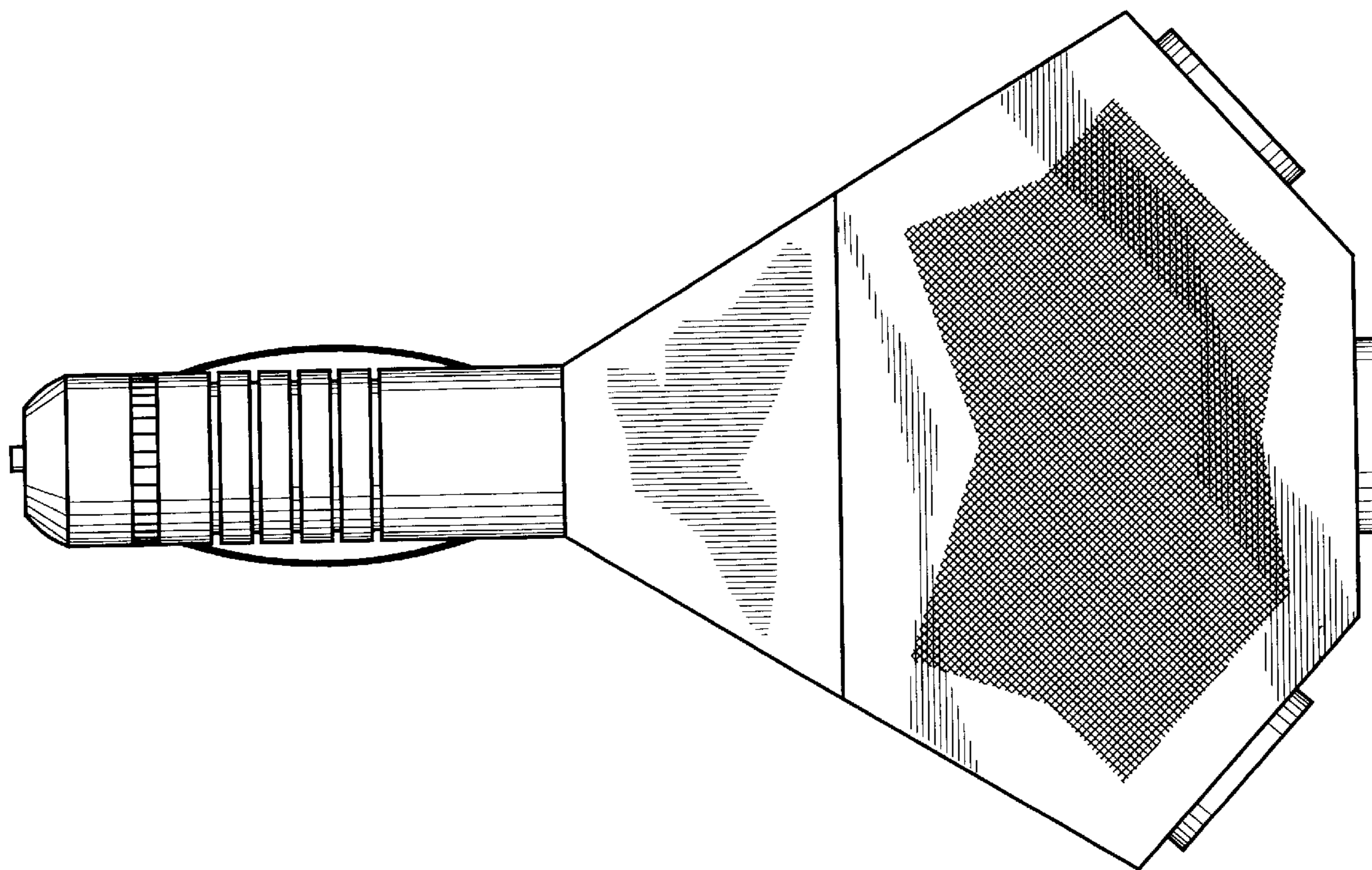


FIG. 1

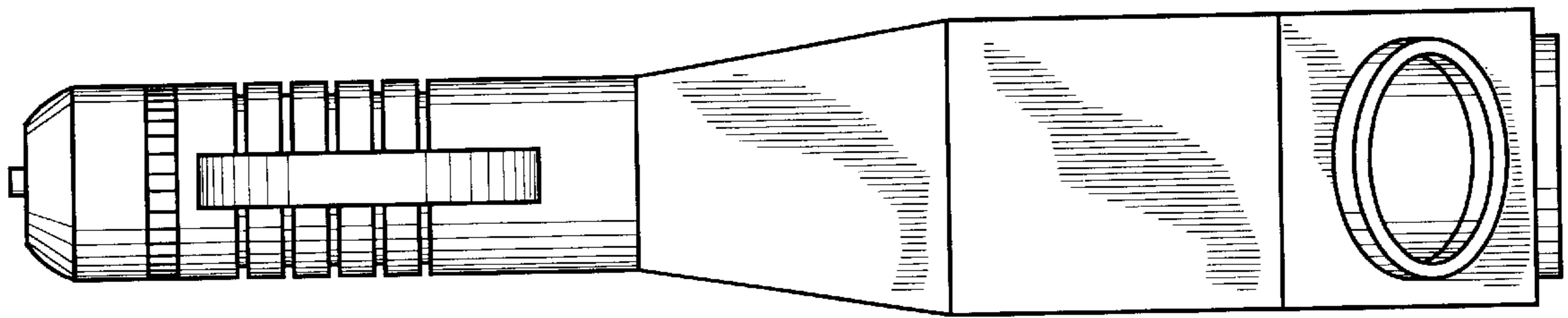


FIG. 2

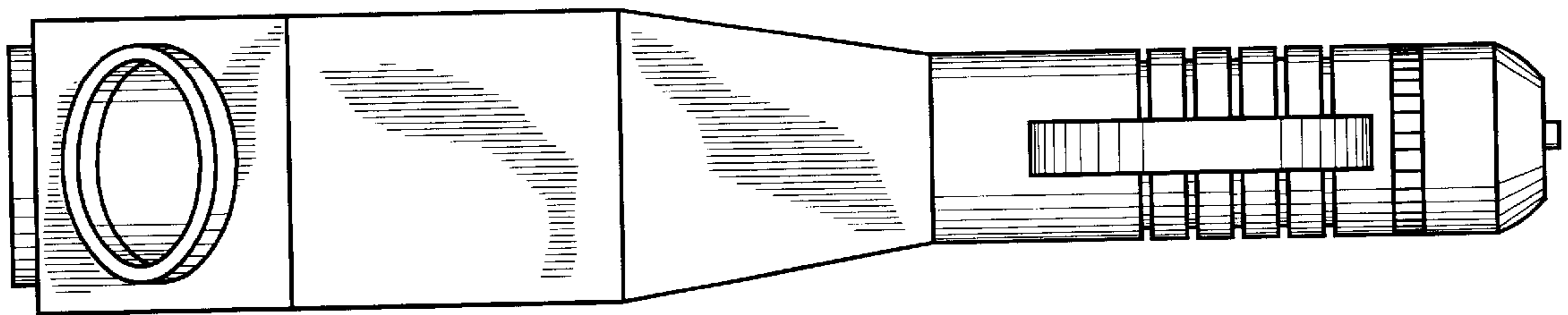


FIG. 3

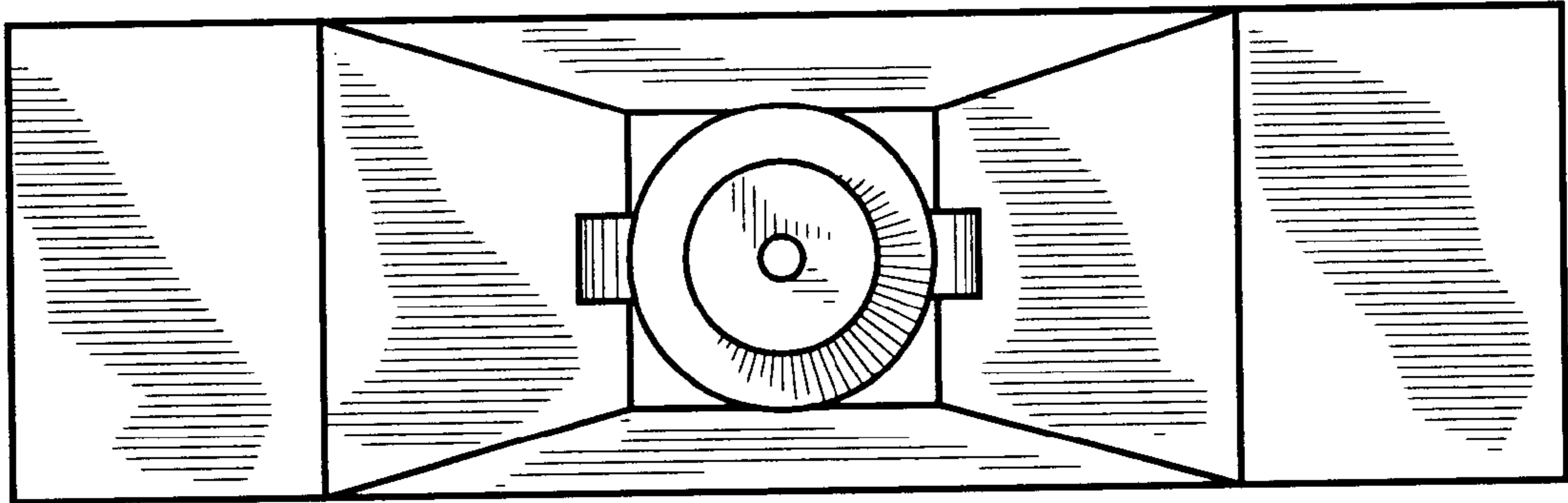


FIG. 4

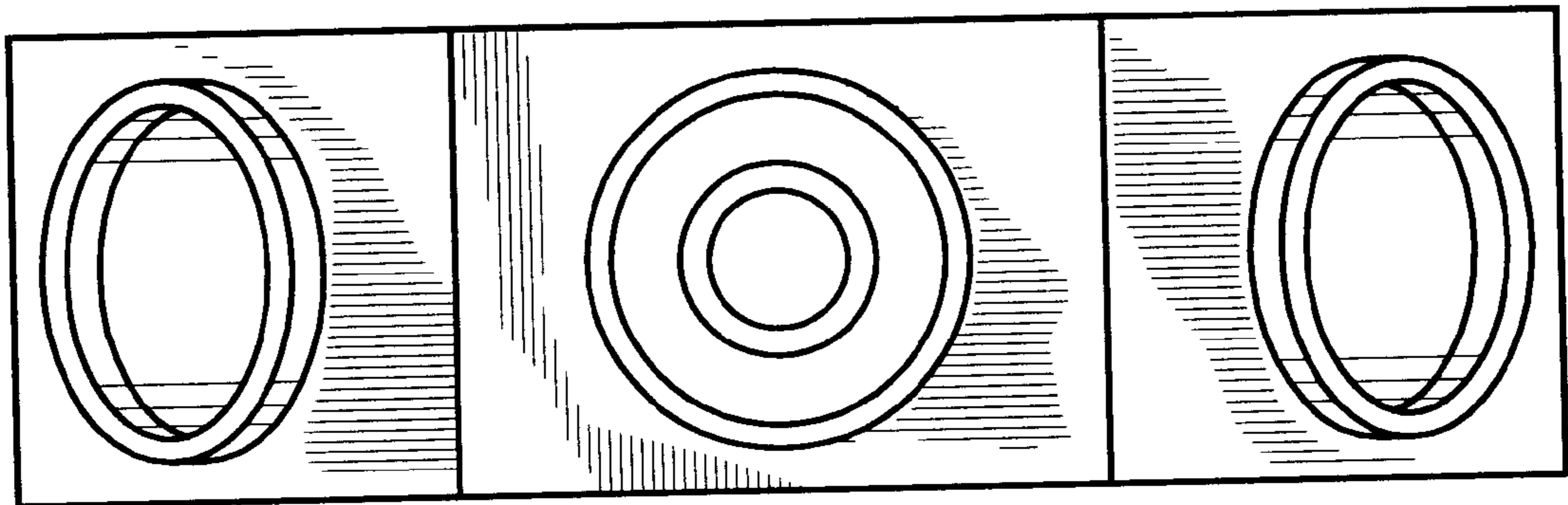


FIG. 5

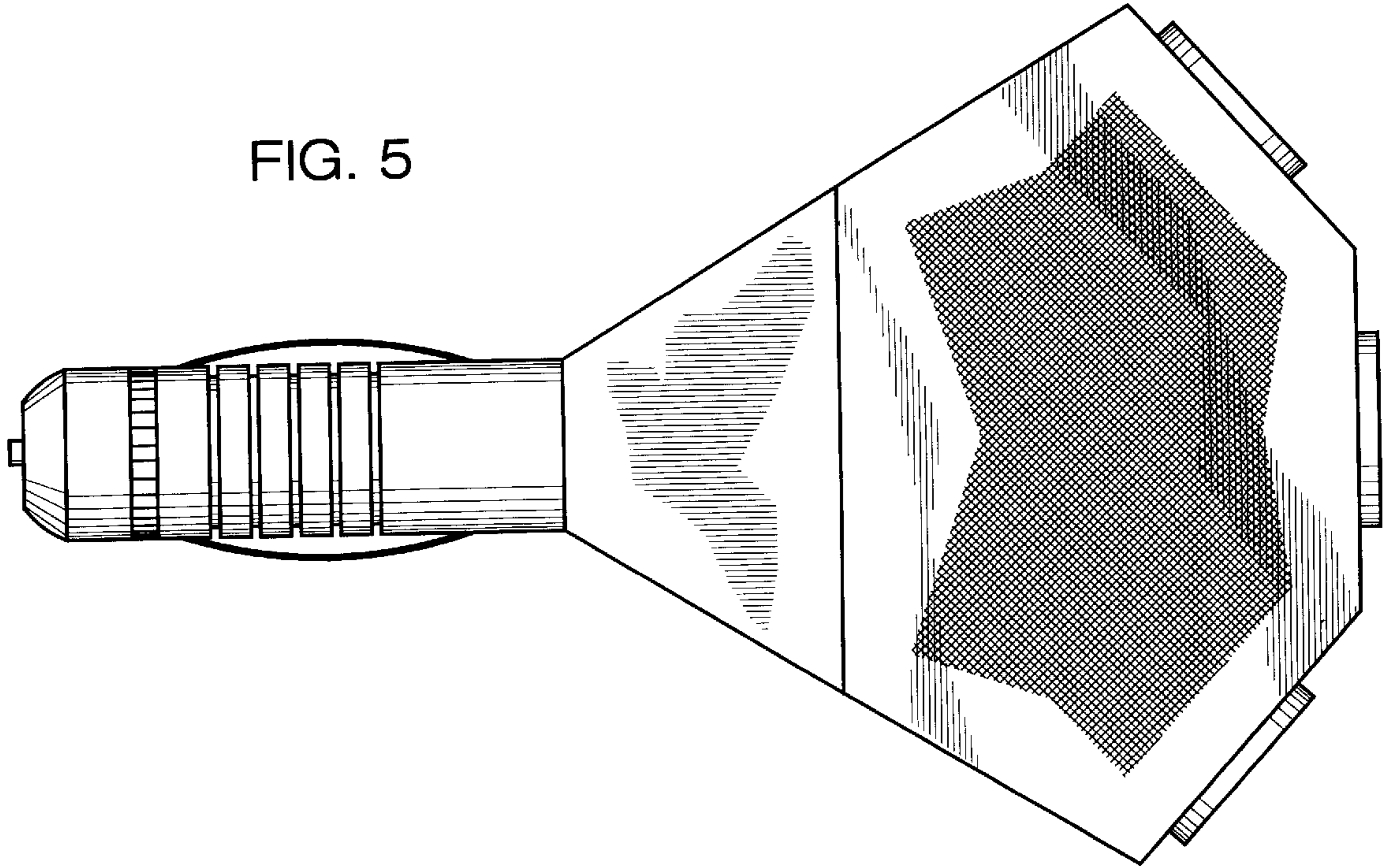


FIG. 6

