



US00D429687S

United States Patent [19]

Steiner et al.

[11] Patent Number: Des. 429,687

[45] Date of Patent: ** Aug. 22, 2000

[54] **POWER SUPPLY AND RIVET SUPPLY CONSOLE FOR A RIVET SETTING TOOL**

[75] Inventors: **Mark Steiner**, Cos Cob; **David J. Banducci**, Guilford; **James M. Bradbury**, Waterbury; **David S. Calkins**, Branford, all of Conn.

[73] Assignee: **Emhart, Inc.**, Newark, Del.

[**] Term: **14 Years**

[21] Appl. No.: **29/095,350**

[22] Filed: **Oct. 21, 1998**

[51] **LOC (7) Cl.** **13-02**

[52] **U.S. Cl.** **D13/110**

[58] **Field of Search** D13/110, 118, D13/123; D8/61; 307/66, 150; 29/243.521, 812.5, 243.525, 525.06, 243.53

[56] **References Cited**

U.S. PATENT DOCUMENTS

D. 149,166	4/1948	Chapman	D13/110
D. 149,364	4/1948	Kern	D13/110
D. 402,626	12/1998	Fujita et al.	D13/110
5,424,588	6/1995	Cantor et al.	D13/110 X

Primary Examiner—Joel Sincavage

Attorney, Agent, or Firm—Edward D. Murphy

[57] **CLAIM**

The ornamental design for a power supply and rivet supply console for a rivet setting tool, as shown and described.

DESCRIPTION

FIG. 1 is a perspective view of our new design of a power supply and rivet supply console for a rivet setting tool with a closed top;

FIG. 2 is a perspective view of our new design of power supply and rivet supply console for a rivet setting tool with an open top;

FIG. 3 is a top view of our new design of a power supply and rivet supply console for a rivet setting tool;

FIG. 4 is a front view of our new design of a power supply and rivet supply console for a rivet setting tool;

FIG. 5 is a rear view of our new design of a power supply and rivet supply console for a rivet setting tool;

FIG. 6 is a right side view of our new design of a power supply and rivet supply console for a rivet setting tool; and, FIG. 7 is a left side view of our new design of a power supply and rivet supply console for a rivet setting tool.

Any broken line illustration of the cable, cable sheath, and the rivet setting tool in the drawings are not part of the design sought to be patented.

1 Claim, 5 Drawing Sheets

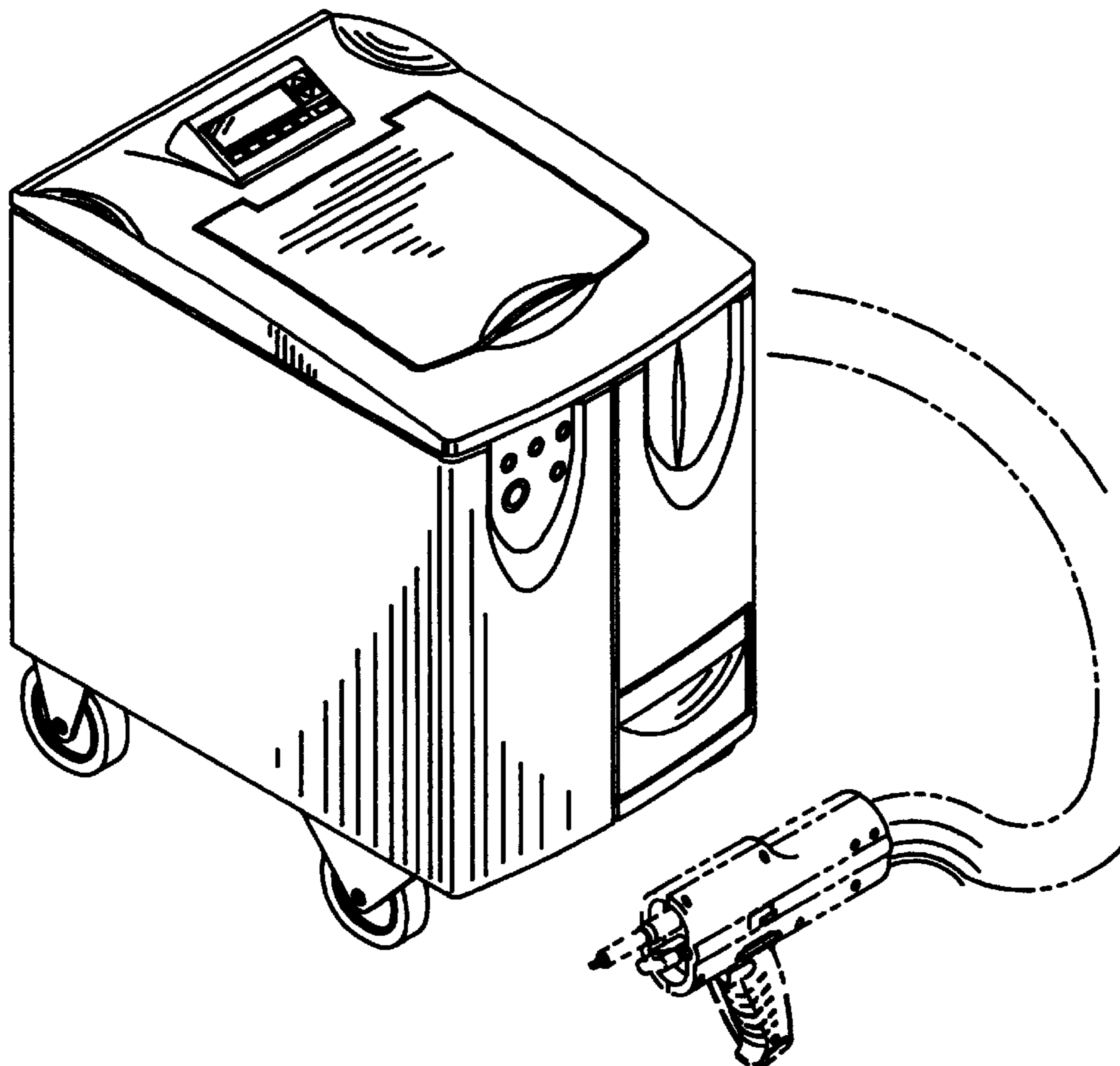


FIG. 1

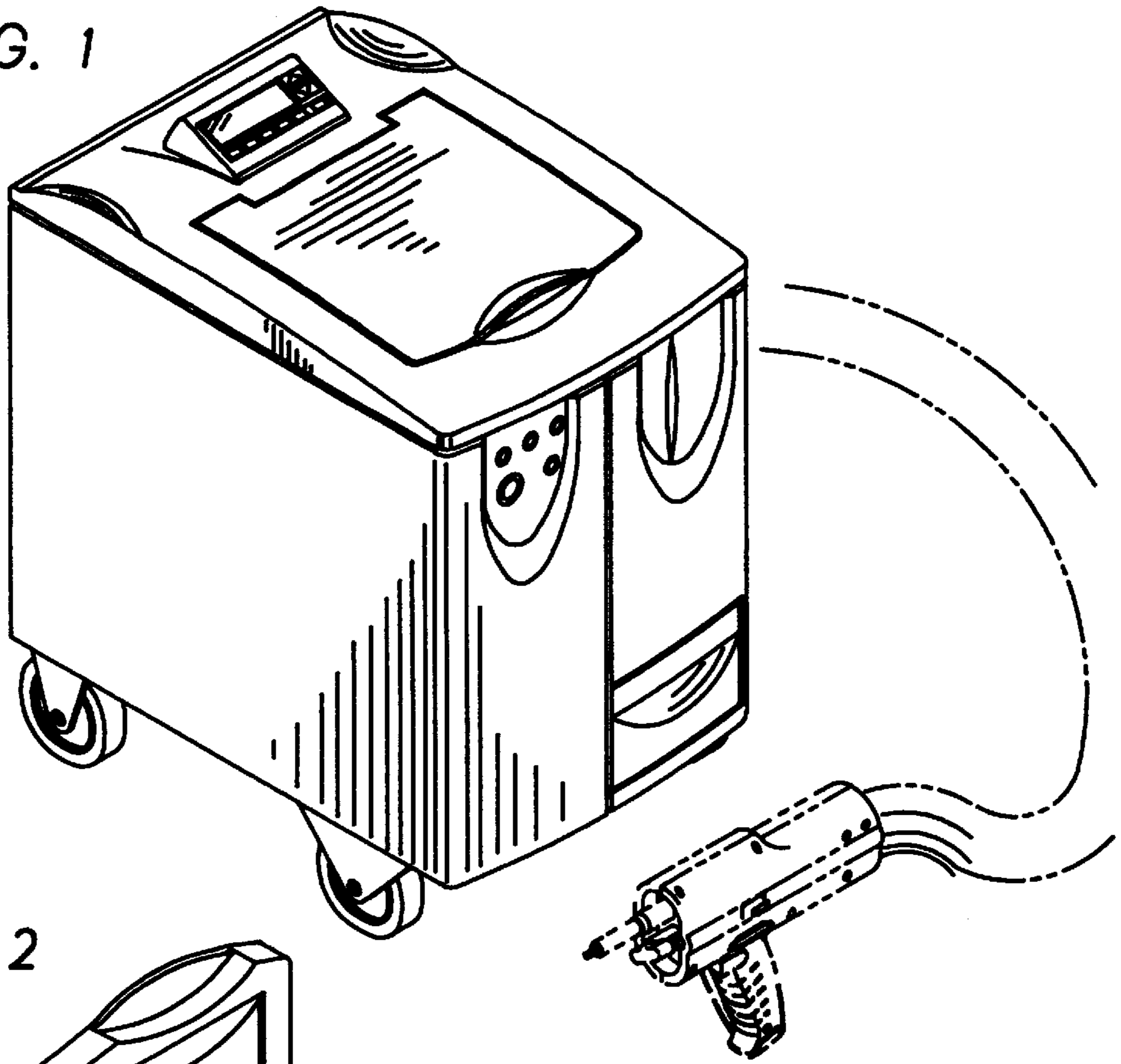


FIG. 2

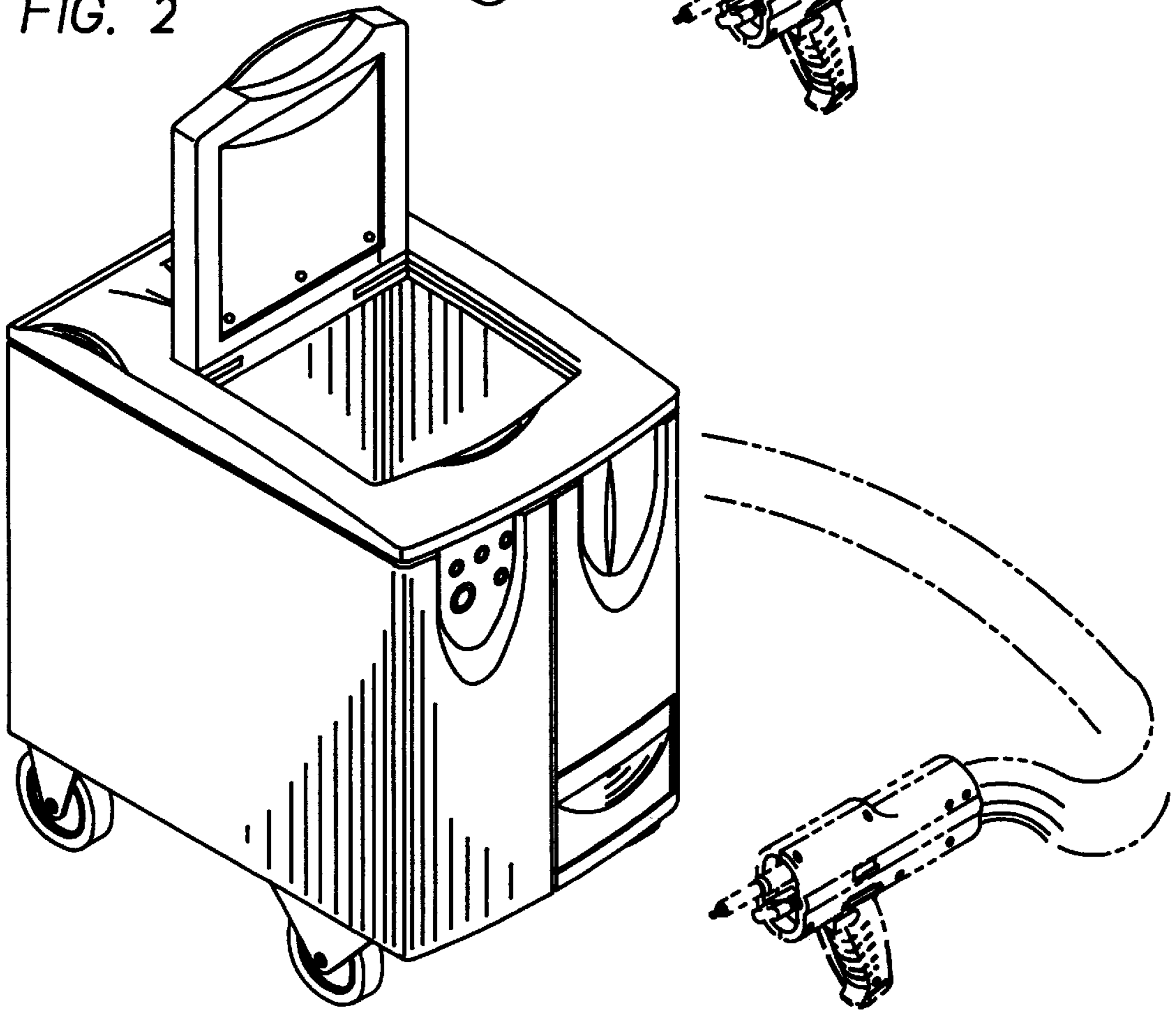


FIG. 3

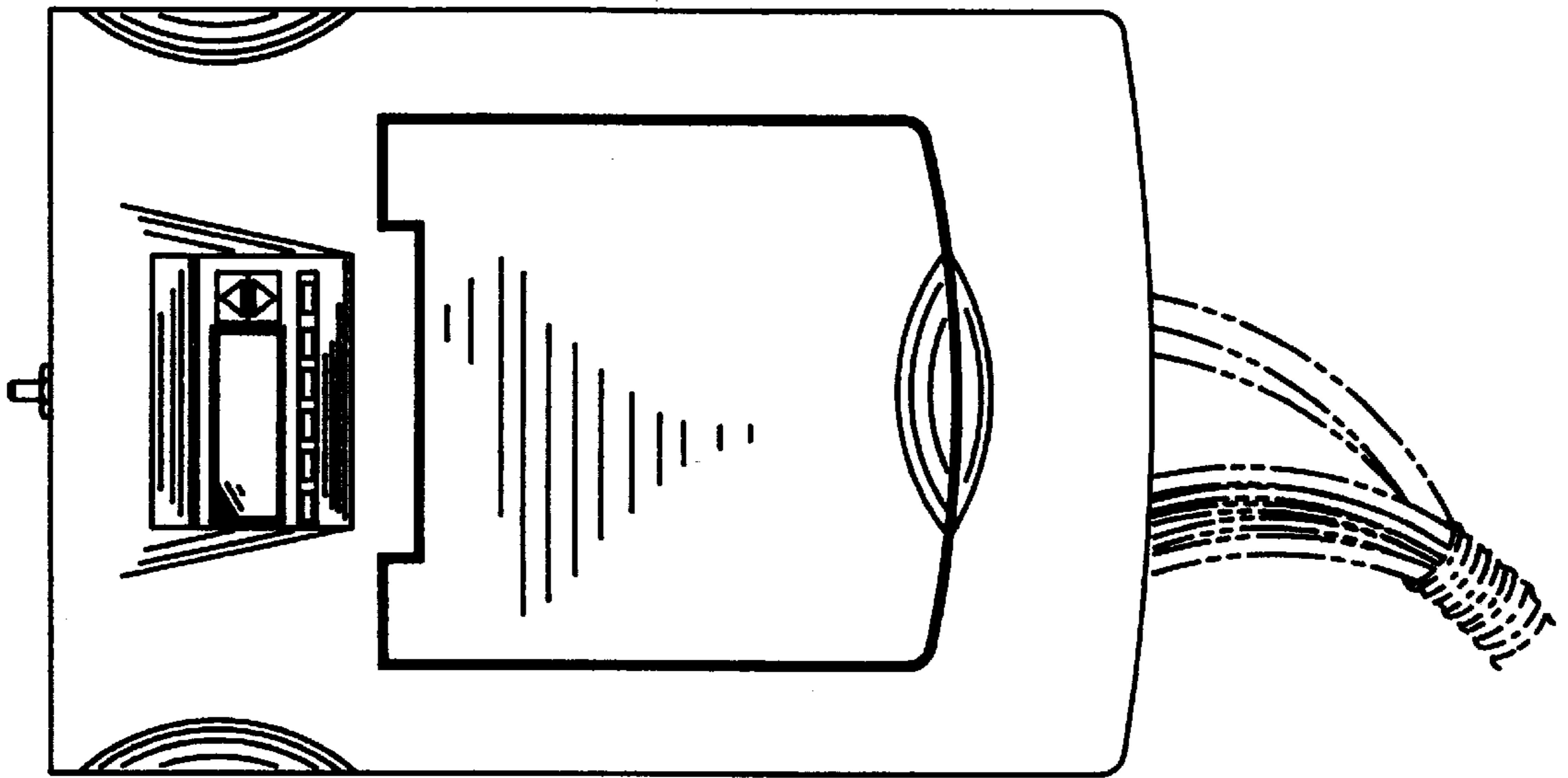


FIG. 4

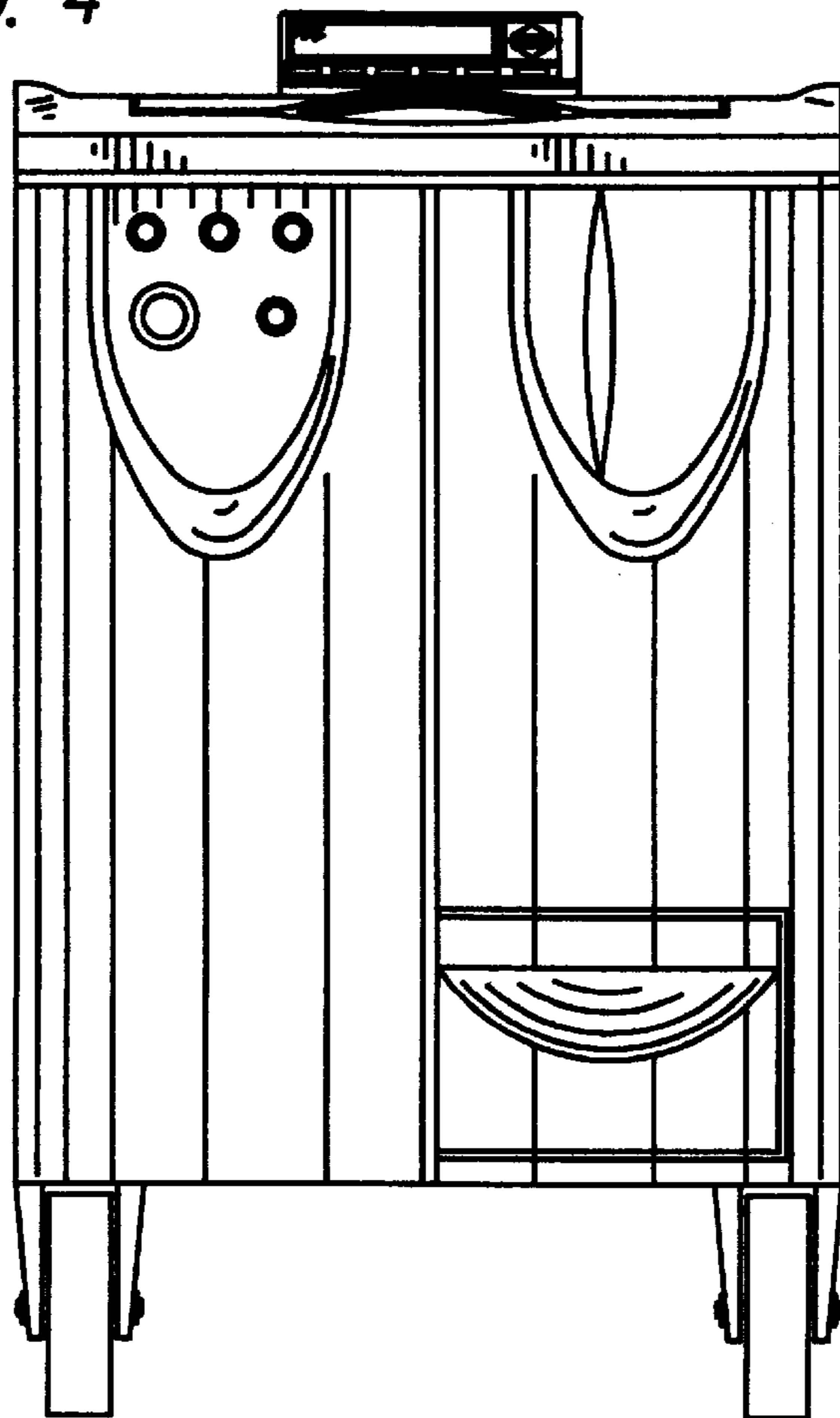


FIG. 5

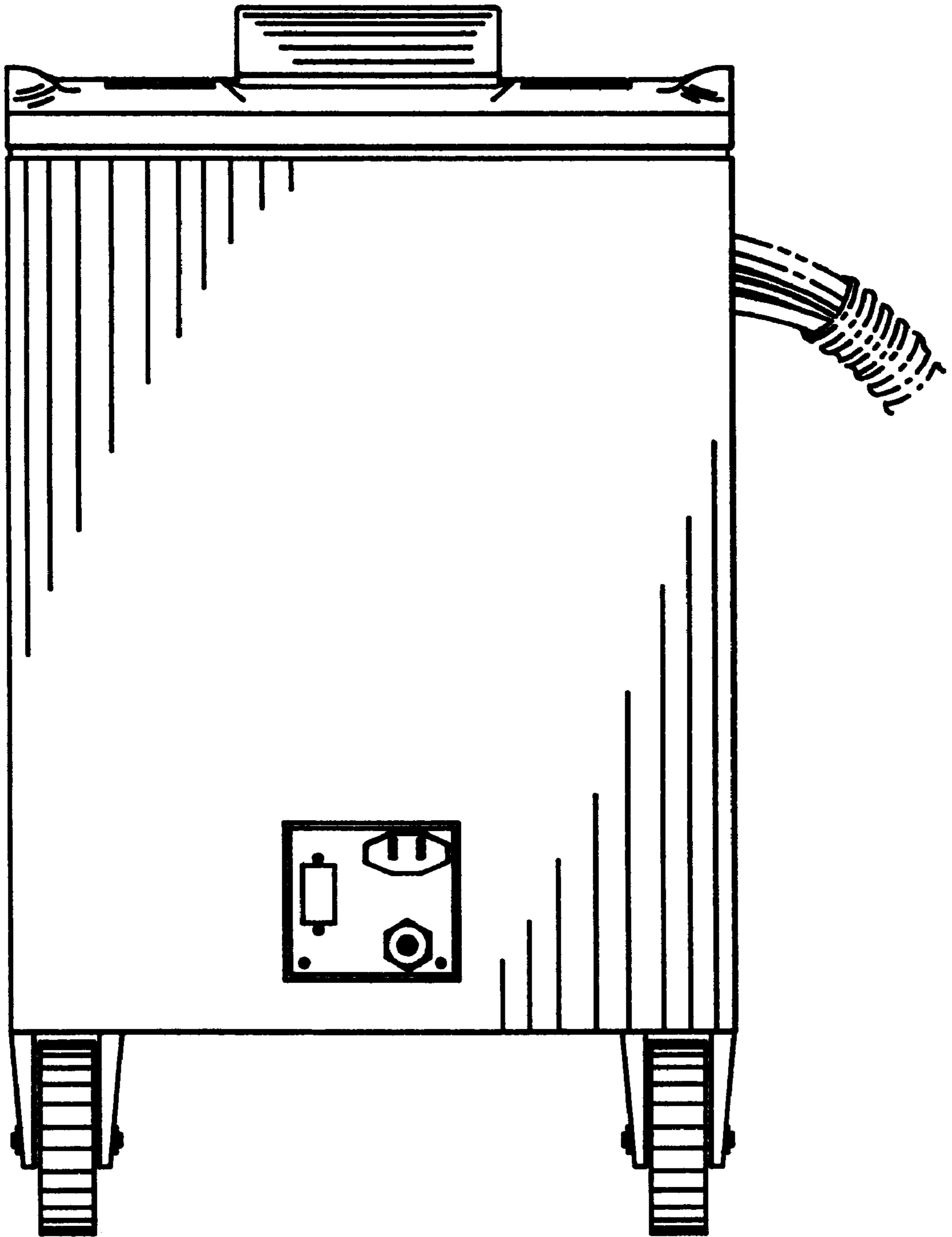


FIG. 6

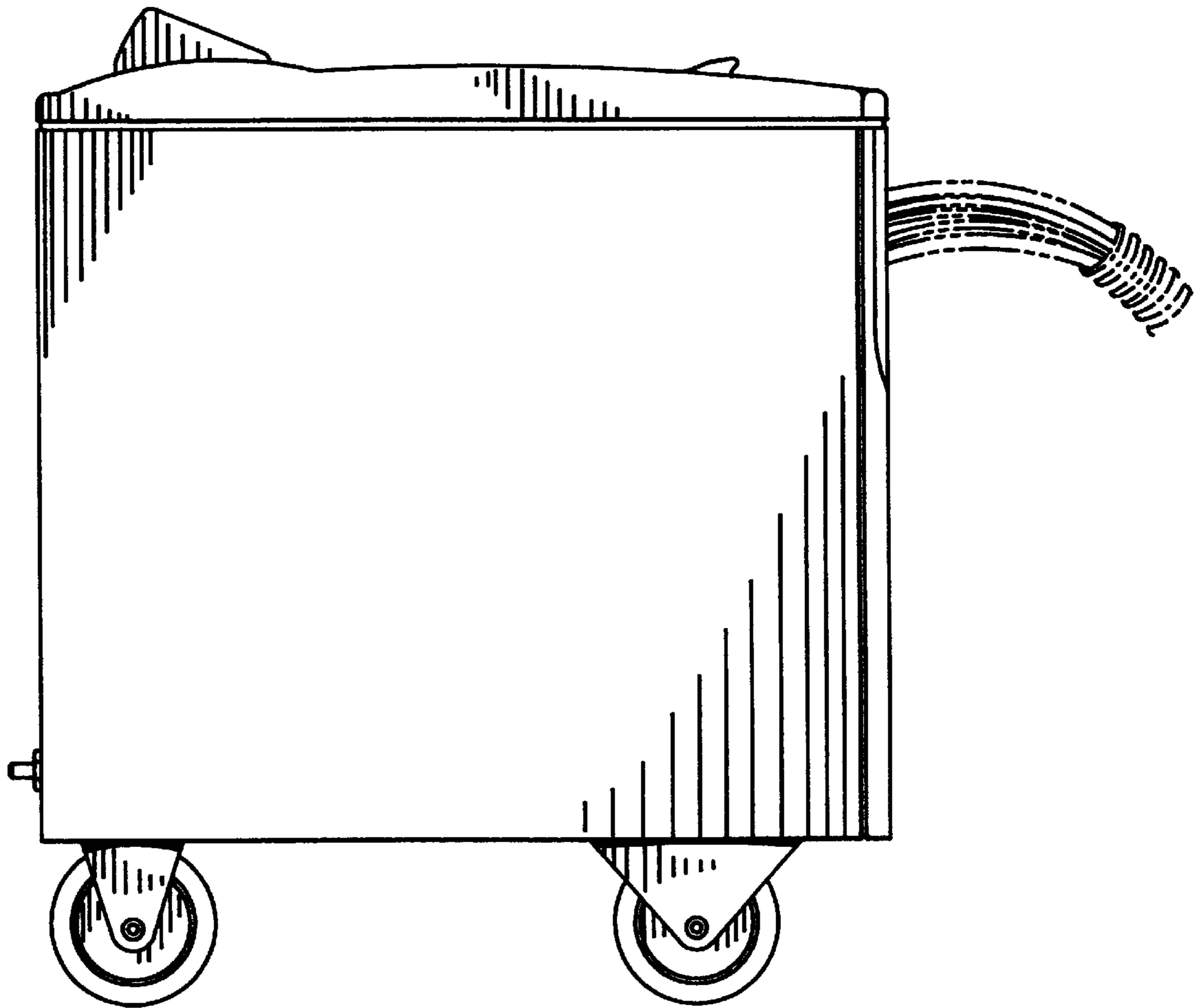


FIG. 7

