



US00D429684S

United States Patent [19]
Johnson

[11] **Patent Number: Des. 429,684**

[45] **Date of Patent: ** Aug. 22, 2000**

[54] **MULTIPOSITION VEHICULAR COMMUNICATIONS HOUSING**

[76] Inventor: **Frederick M. Johnson**, 181 Farm St., Millis, Mass. 02054

[**] Term: **14 Years**

[21] Appl. No.: **29/072,112**

[22] Filed: **Jun. 3, 1997**

[51] **LOC (7) Cl.** **12-16**

[52] **U.S. Cl.** **D12/415**

[58] **Field of Search** D12/400, 415, D12/423-426.1; D14/124, 137, 217, 299; 211/71; 224/539; 296/37.8, 37.14

[56] **References Cited**

U.S. PATENT DOCUMENTS

D. 213,447	3/1969	Small	D12/415 X
D. 219,965	2/1971	Boothe	D12/415
D. 222,357	10/1971	Locher	D12/415
D. 233,428	10/1974	Hestand	D12/415
D. 248,636	7/1978	Stanley	D12/415
D. 253,946	1/1980	Fought	D12/415

D. 279,329	6/1985	Dzak	D12/415
D. 279,426	7/1985	Dzak	D12/415
D. 363,916	11/1995	Johnson	D12/415
D. 379,618	6/1997	Hellhake et al.	D12/425

Primary Examiner—Stacia Cadmus

Attorney, Agent, or Firm—John P. McGonagle

[57] **CLAIM**

The ornamental design for a multiposition vehicular communications housing, as shown and described.

DESCRIPTION

FIG. 1 is a perspective view of a housing embodying my new design;

FIG. 2 is a right elevational view thereof;

FIG. 3 is a rear view thereof;

FIG. 4 is a left elevational view thereof;

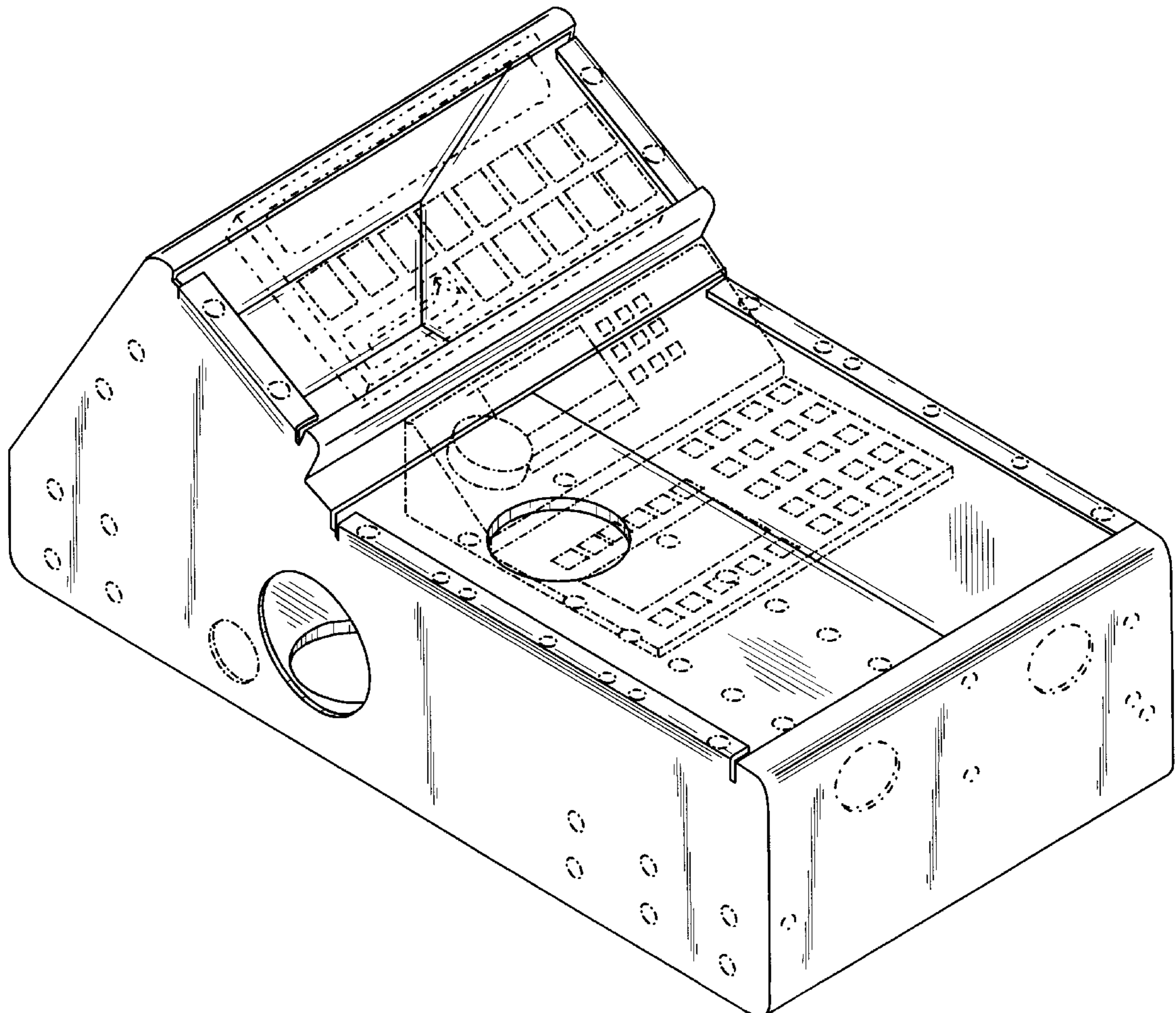
FIG. 5 is a front view thereof;

FIG. 6 is a bottom plan view thereof; and,

FIG. 7 is a top plan view thereof.

The broken line showing of holes and equipment in the housing are for illustrative purposes only and form no part of the claimed design.

1 Claim, 4 Drawing Sheets



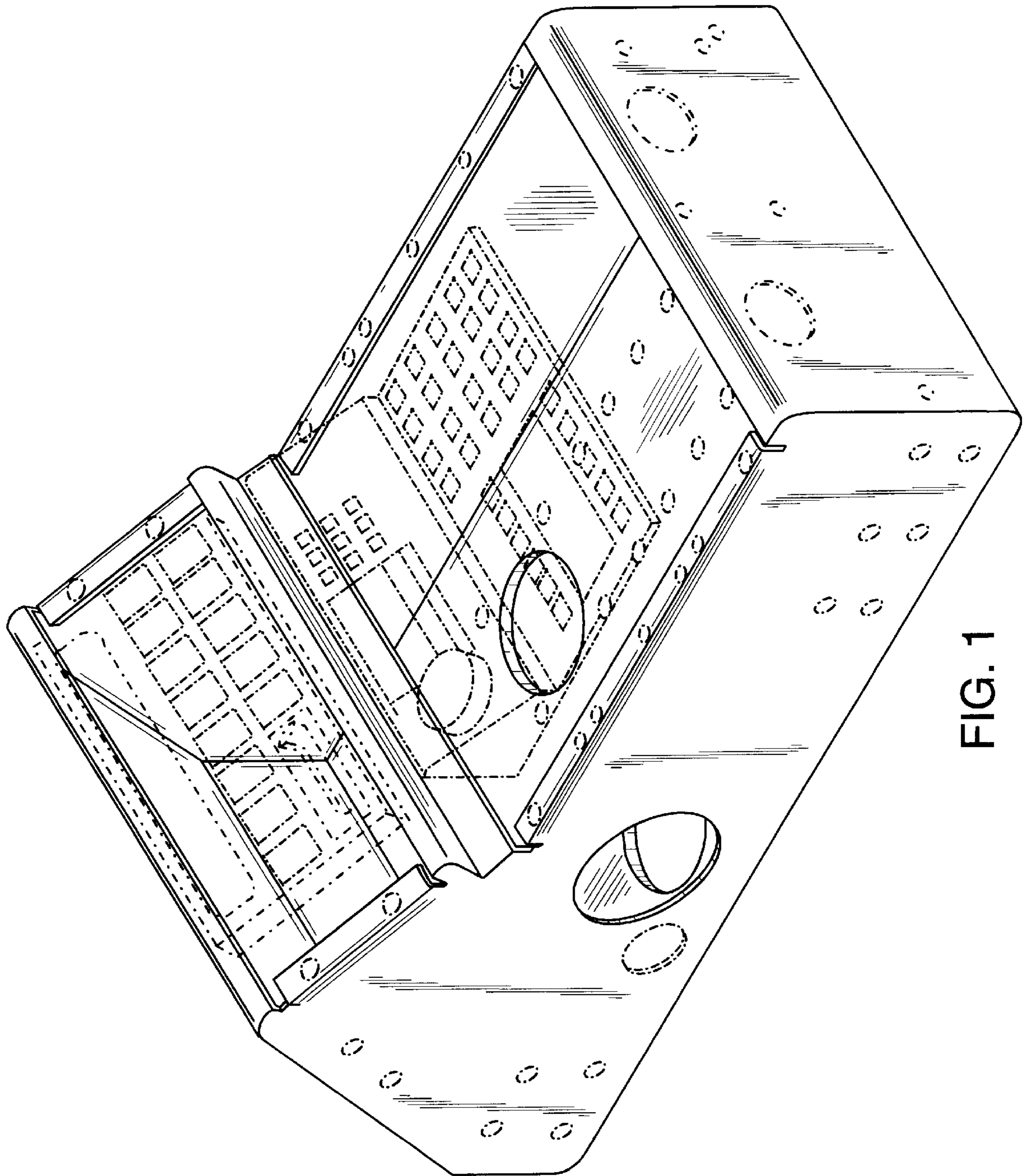


FIG. 1

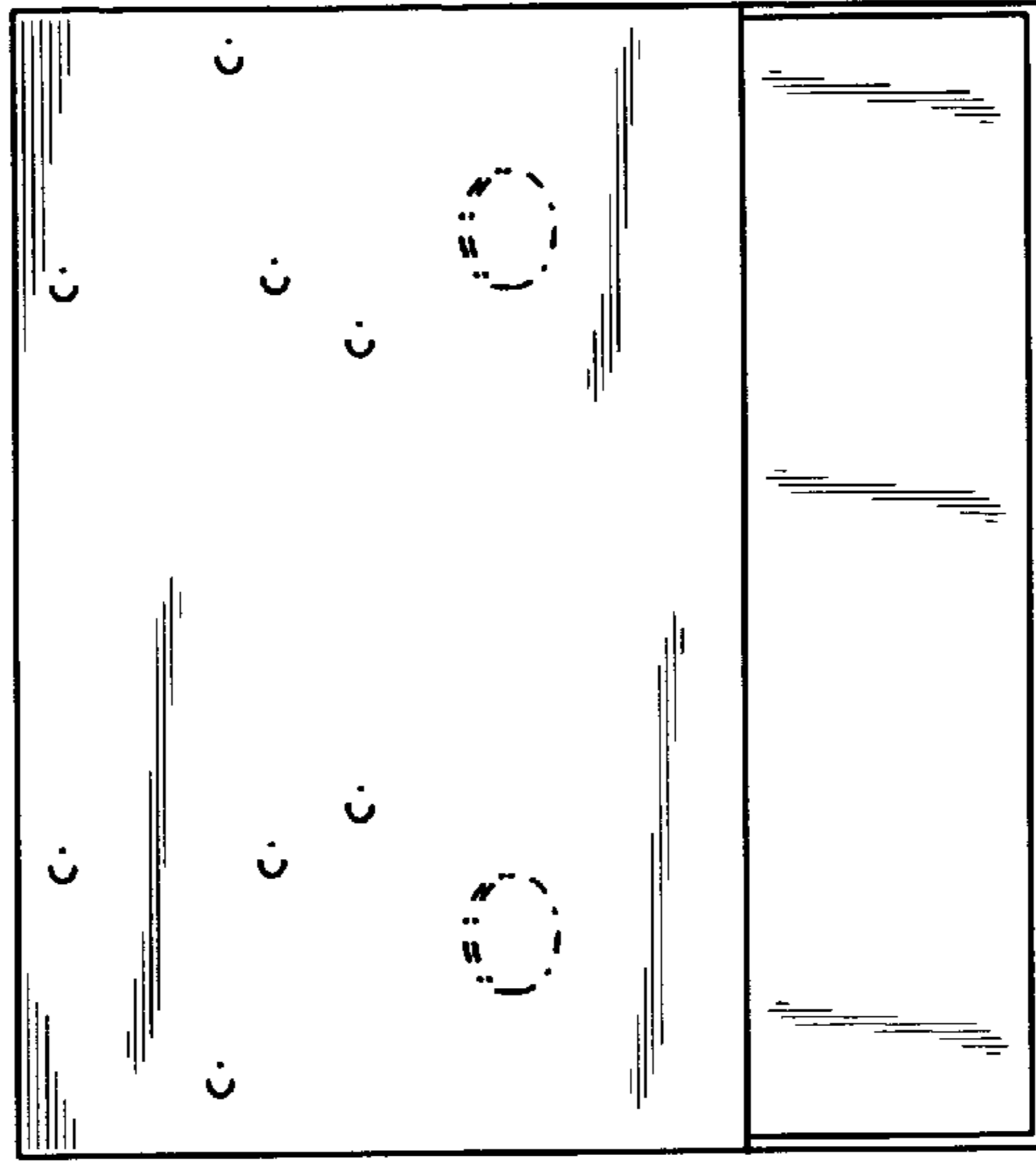


FIG. 3

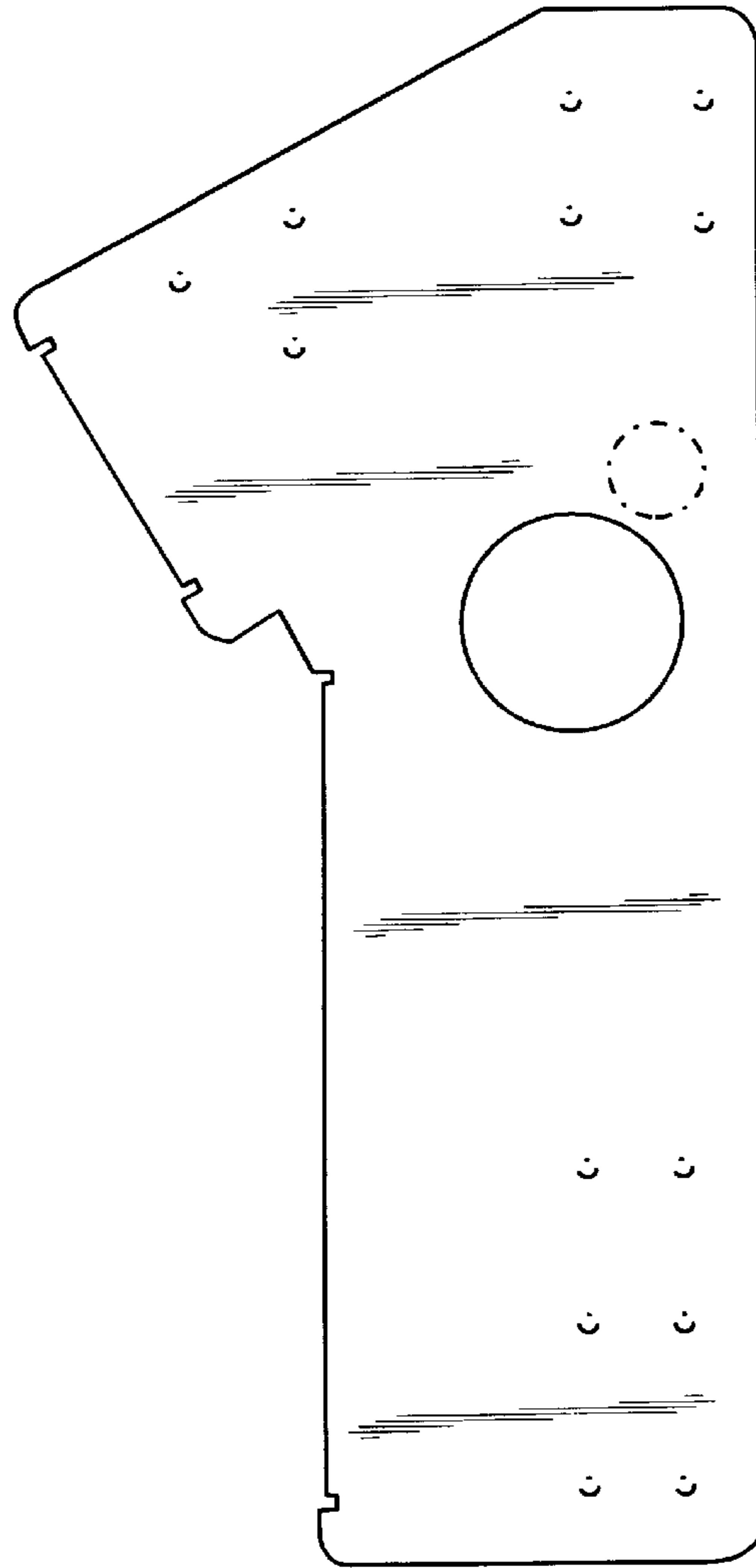


FIG. 2

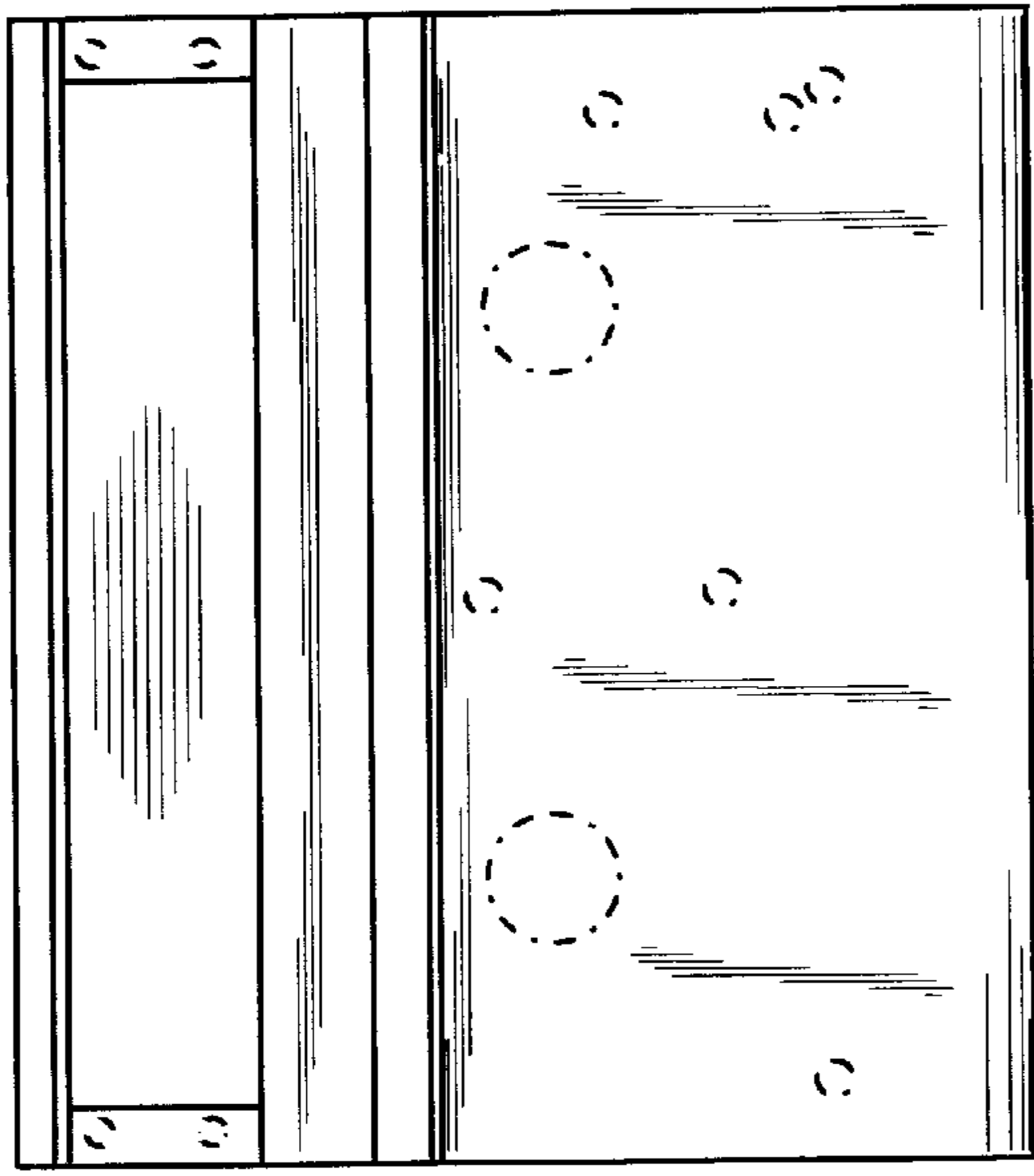


FIG. 5

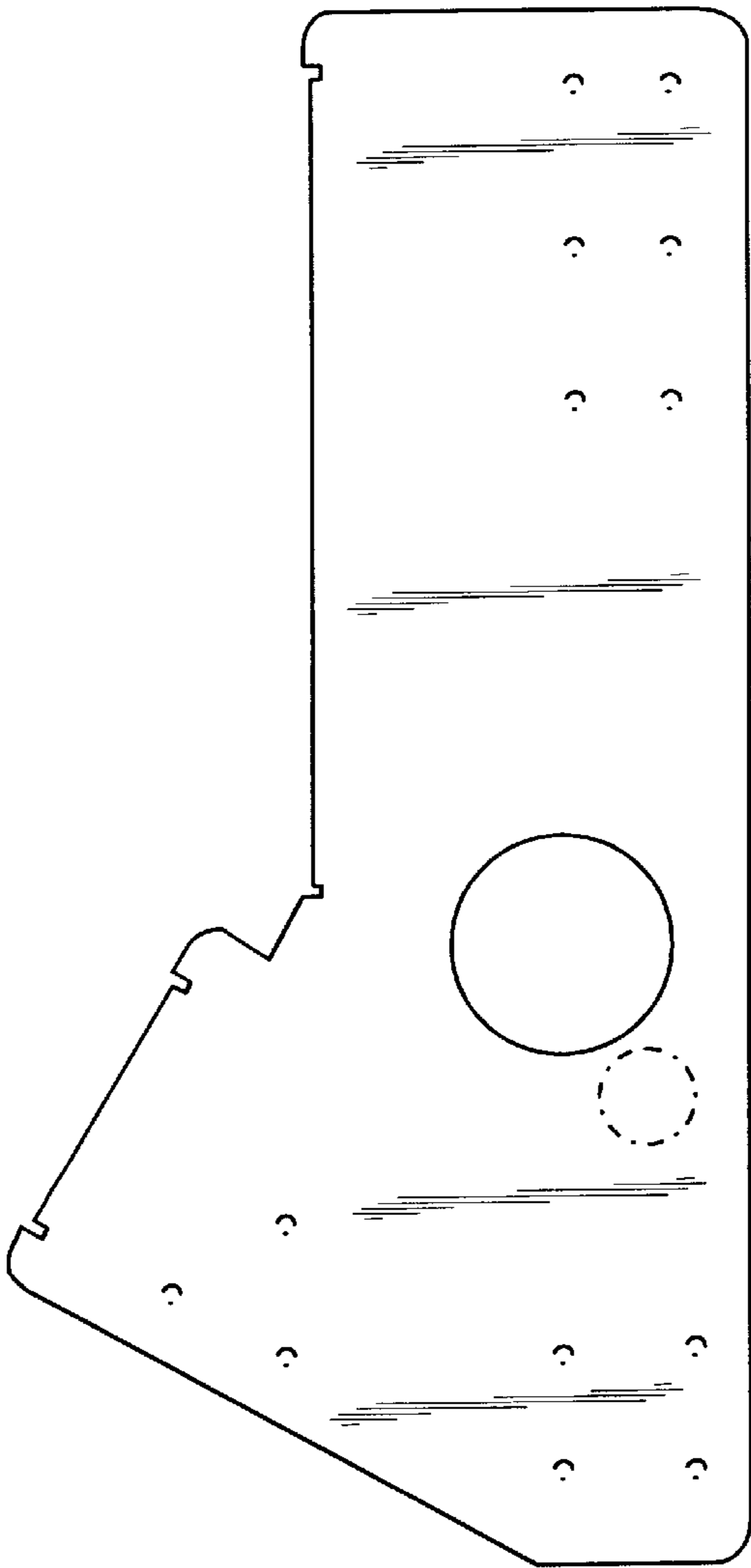


FIG. 4

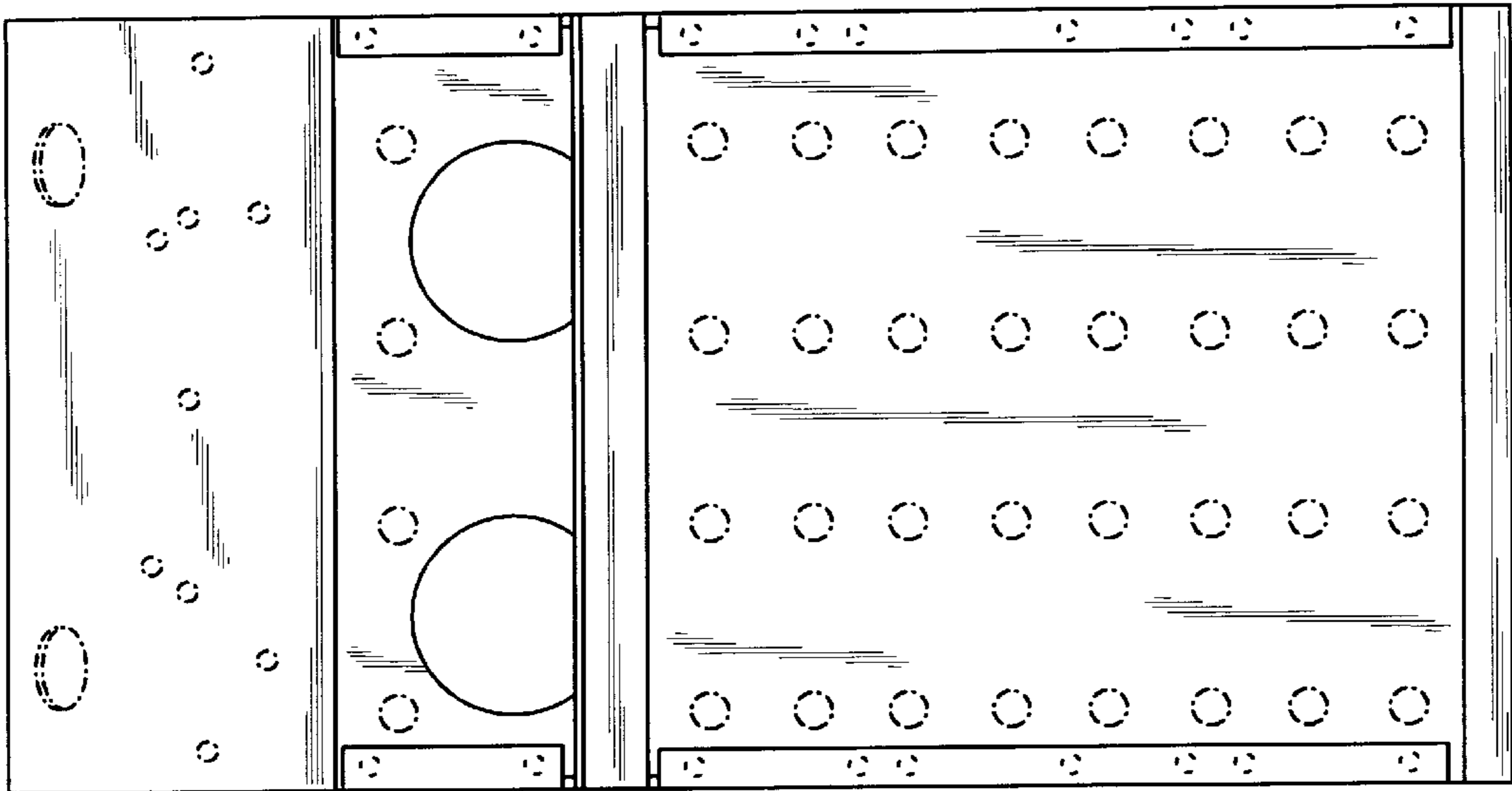


FIG. 7

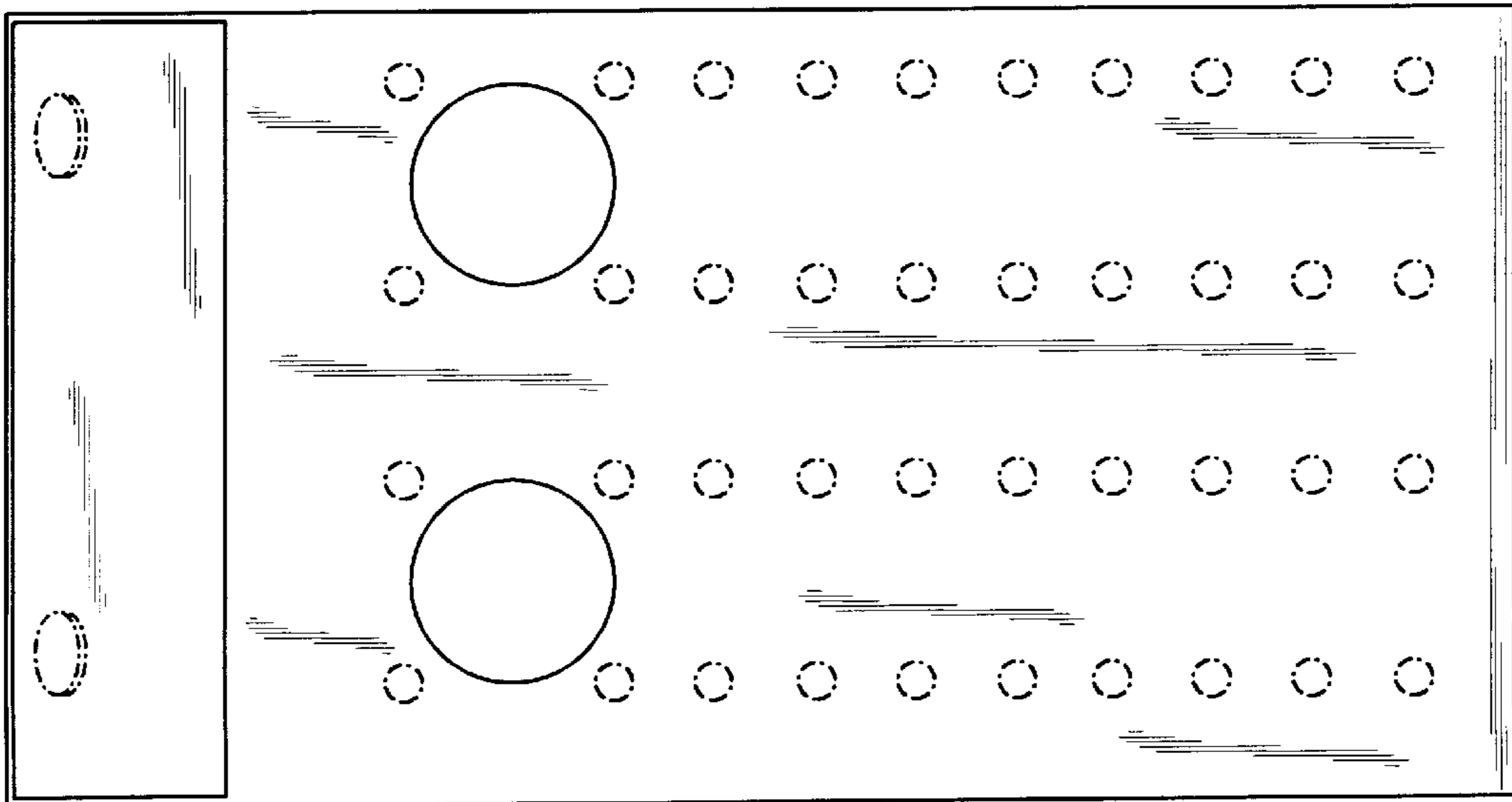


FIG. 6