



US00D429683S

# United States Patent [19]

[11] **Patent Number: Des. 429,683**

**Ball et al.**

[45] **Date of Patent: \*\* Aug. 22, 2000**

[54] **CAR ACCESSORY**

OTHER PUBLICATIONS

[75] Inventors: **Greg Ball**, Randolph; **David Dennison**, Morristown, both of N.J.

D & W Bestell-Katalog, p. 816, See Item 4; p. 817, See Items 2 and 4, 1994.

[73] Assignee: **Allison Corporation**, Livingston, N.J.

Allison's Auto Accessories, p. 53, See Item #8150, Dec. 1992.

[\*\*] Term: **14 Years**

*Primary Examiner*—Doris V. Coles  
*Assistant Examiner*—Stacia Sinuik  
*Attorney, Agent, or Firm*—Helfgott & Karas, PC.

[21] Appl. No.: **29/078,537**

[22] Filed: **Oct. 17, 1997**

[57] **CLAIM**

[51] **LOC (7) Cl.** ..... **12-16**

The ornamental design for a car accessory, as shown and described.

[52] **U.S. Cl.** ..... **D12/400; D8/305**

[58] **Field of Search** ..... D12/400, 179, D12/190, 192, 174, 153; D8/300, 305, 307, 310, 387; D21/313, 316; D11/222-224, 238-240, 48, 49; 292/347; D1/104, 106, 113, 114

**DESCRIPTION**

[56] **References Cited**

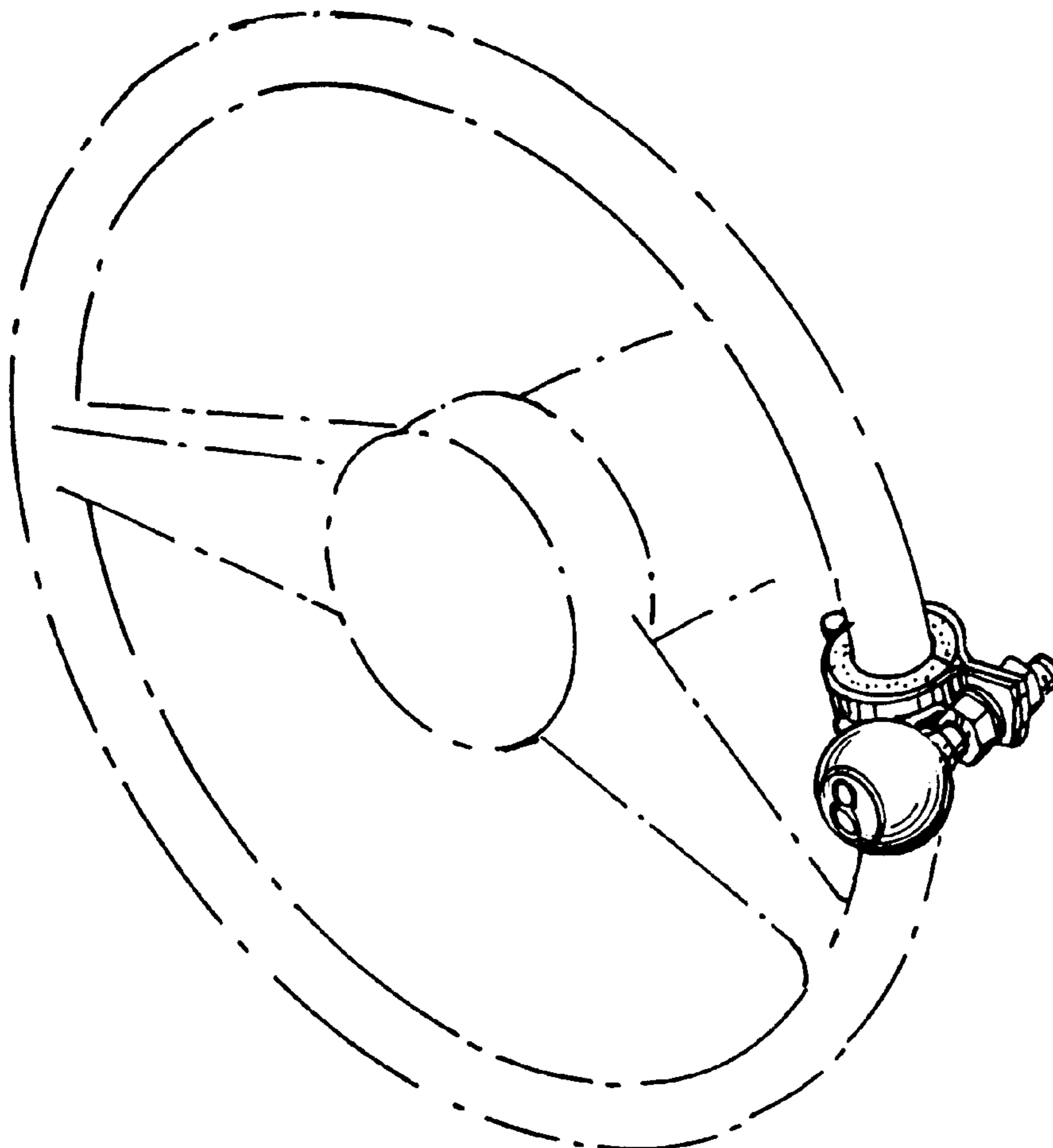
**U.S. PATENT DOCUMENTS**

159,509	2/1875	Haines	.....	292/347
D. 211,699	7/1968	Perfit	.....	D8/305
D. 270,724	9/1983	Anderson	.....	D12/153
D. 323,019	1/1992	Paul	.....	D8/307 X
D. 400,422	11/1998	Dennison et al.	.....	D12/153

FIG. 1 is a perspective view of a car accessory showing our new design, shown in its position of use;  
FIG. 2 is an enlarged top view thereof, it being understood that the bottom is a mirror image thereof;  
FIG. 3 is an enlarged front elevation view thereof;  
FIG. 4 is an enlarged right side elevation view thereof; and,  
FIG. 5 is an enlarged rear view thereof.

The broken line showing of environment is for illustrative purposes only and forms no part of the claimed design.

**1 Claim, 1 Drawing Sheet**



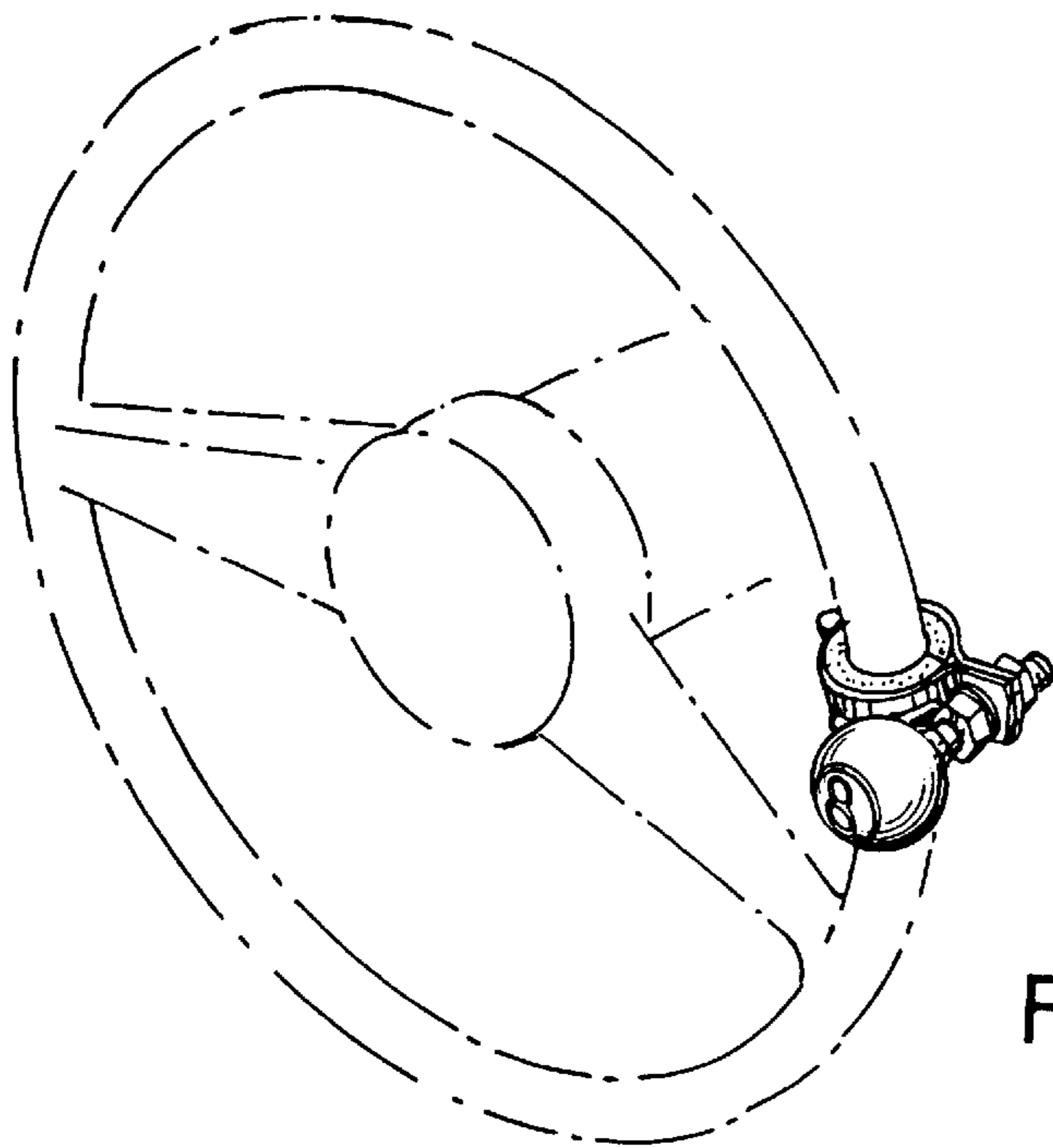


FIG. 1

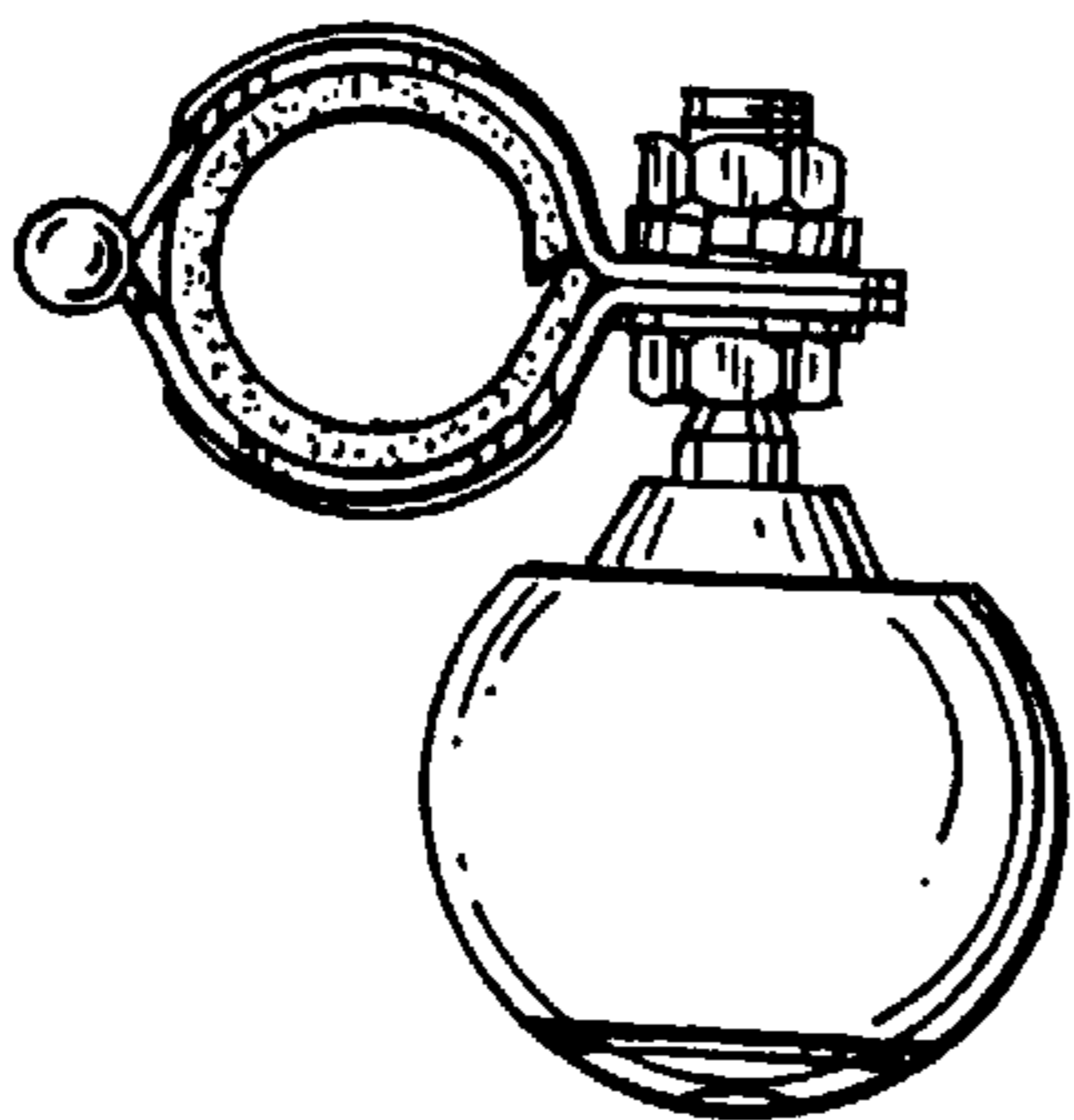


FIG. 2

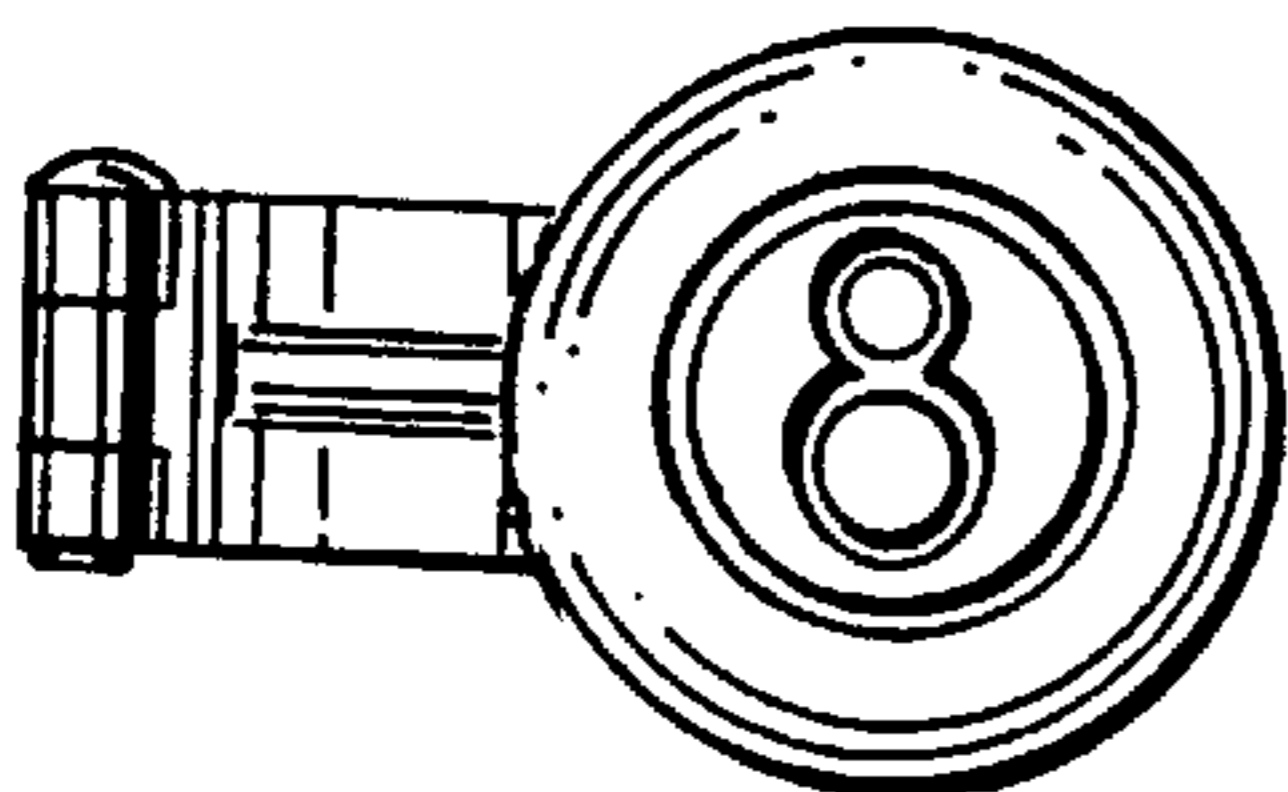


FIG. 3

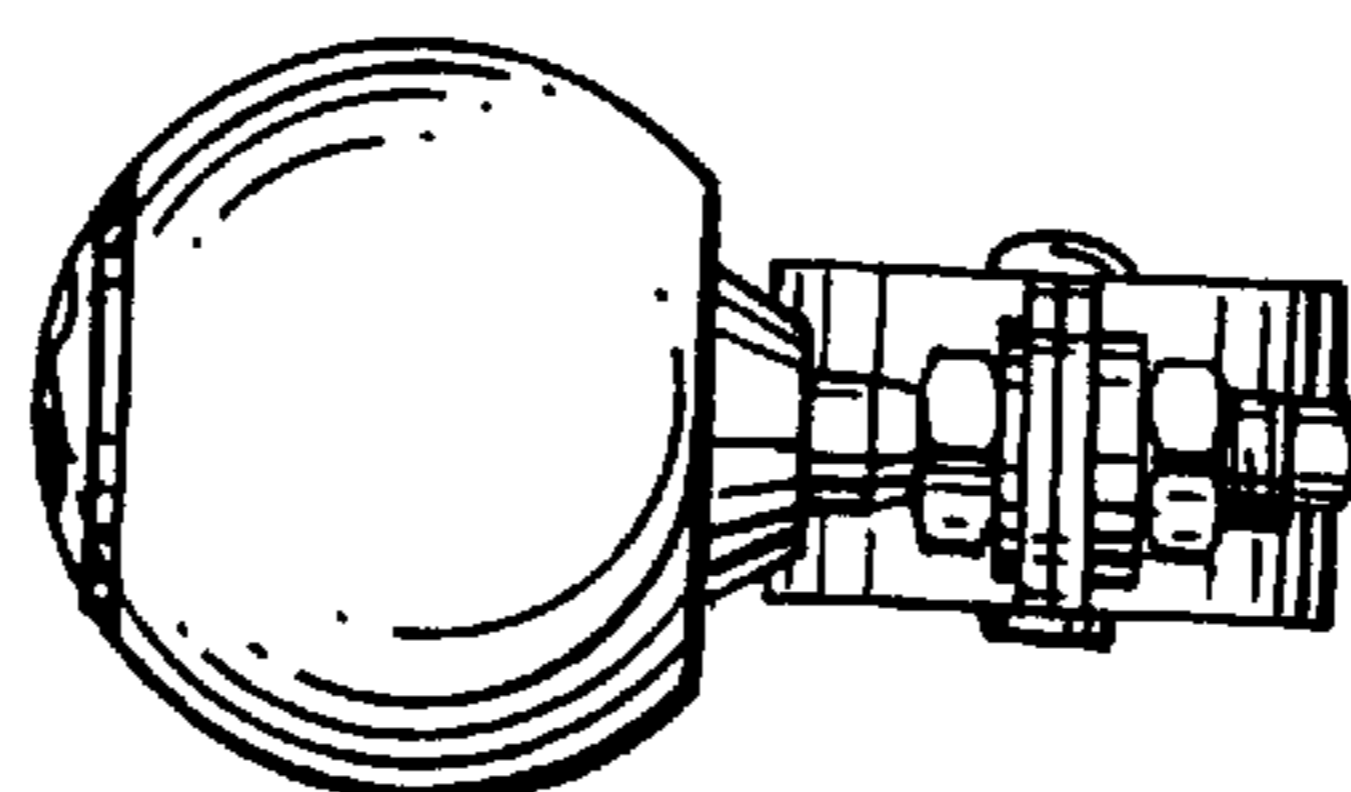


FIG. 4

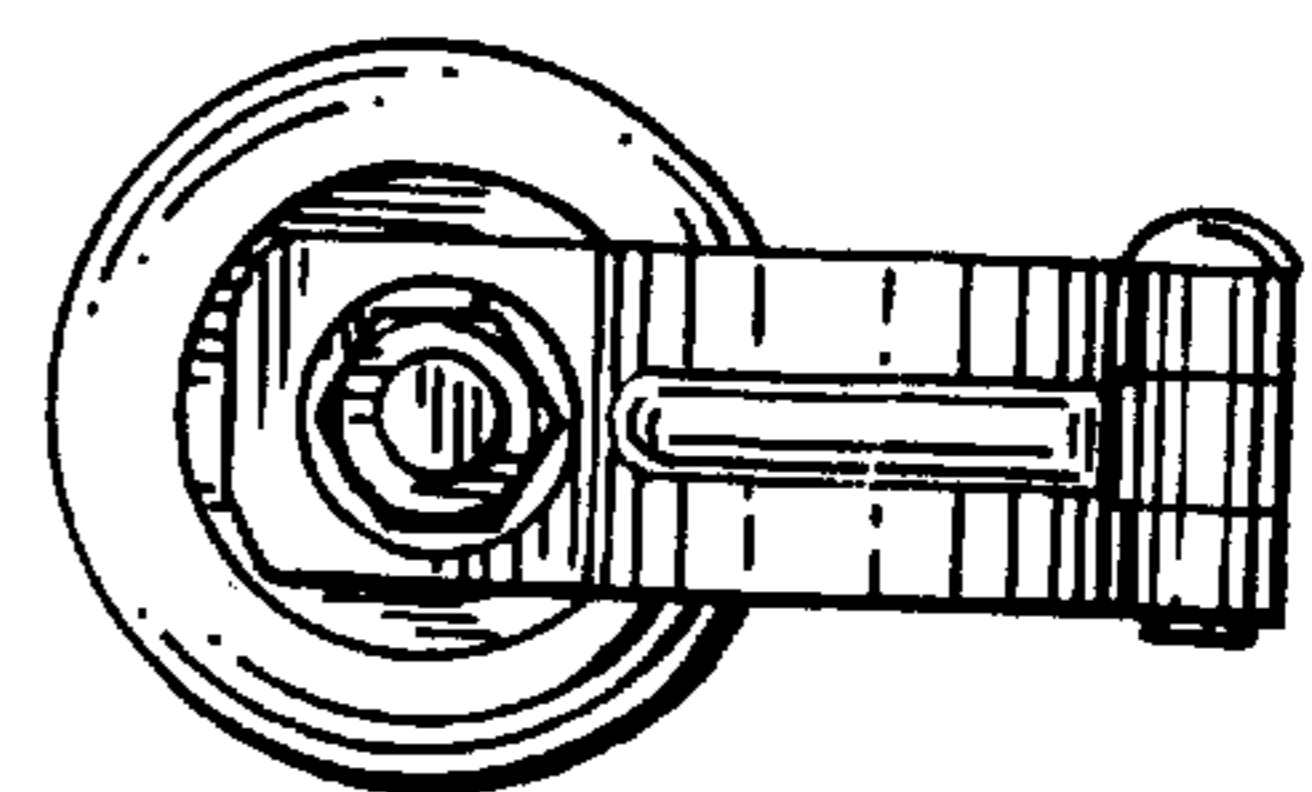


FIG. 5