



US00D429675S

United States Patent [19]

Macey et al.

[11] **Patent Number: Des. 429,675**

[45] **Date of Patent: ** Aug. 22, 2000**

[54] **CONVERTIBLE TOP FOR AN AUTOMOBILE**

[75] Inventors: **Stuart P. Macey**, Rochester; **Robert N. Hubbach**; **Ernest J. Barry**, both of Clarkston; **K. Neil Walling**, Leonard, all of Mich.

[73] Assignee: **Chrysler Corporation**, Auburn Hills, Mich.

[**] Term: **14 Years**

[21] Appl. No.: **29/097,768**

[22] Filed: **Sep. 30, 1998**

[51] **LOC (7) Cl.** **12-16**

[52] **U.S. Cl.** **D12/196**

[58] **Field of Search** D12/196, 86, 90-92; 296/185

[56] **References Cited**

U.S. PATENT DOCUMENTS

- D. 331,895 12/1992 Panoz et al. D12/92
- D. 352,494 11/1994 Hubbach et al. D12/401
- D. 353,564 12/1994 Verduyn et al. D12/92
- D. 355,397 2/1995 Verduyn et al. D12/92
- D. 356,757 3/1995 Lagway et al. D12/92
- D. 366,231 1/1996 Wagner et al. D12/92
- D. 387,309 12/1997 Syring D12/92
- D. 406,792 3/1999 Alexander et al. D12/86

- D. 406,799 3/1999 Fisher D12/92
- D. 415,719 10/1999 Sawai et al. D12/92

Primary Examiner—Melody N. Brown
Attorney, Agent, or Firm—Mark P. Calcaterra

[57] **CLAIM**

The ornamental design for a convertible top for an automobile, as shown and described.

DESCRIPTION

FIG. 1 is a perspective view of our new design for a convertible top for an automobile, shown fully deployed and as seen from the right front.

FIG. 2 is a perspective view taken from the right rear.

FIG. 3 is a top view.

FIG. 4 is a left side view, the right side being a mirror image of the side shown.

FIG. 5 is a front view.

FIG. 6 is a rear view.

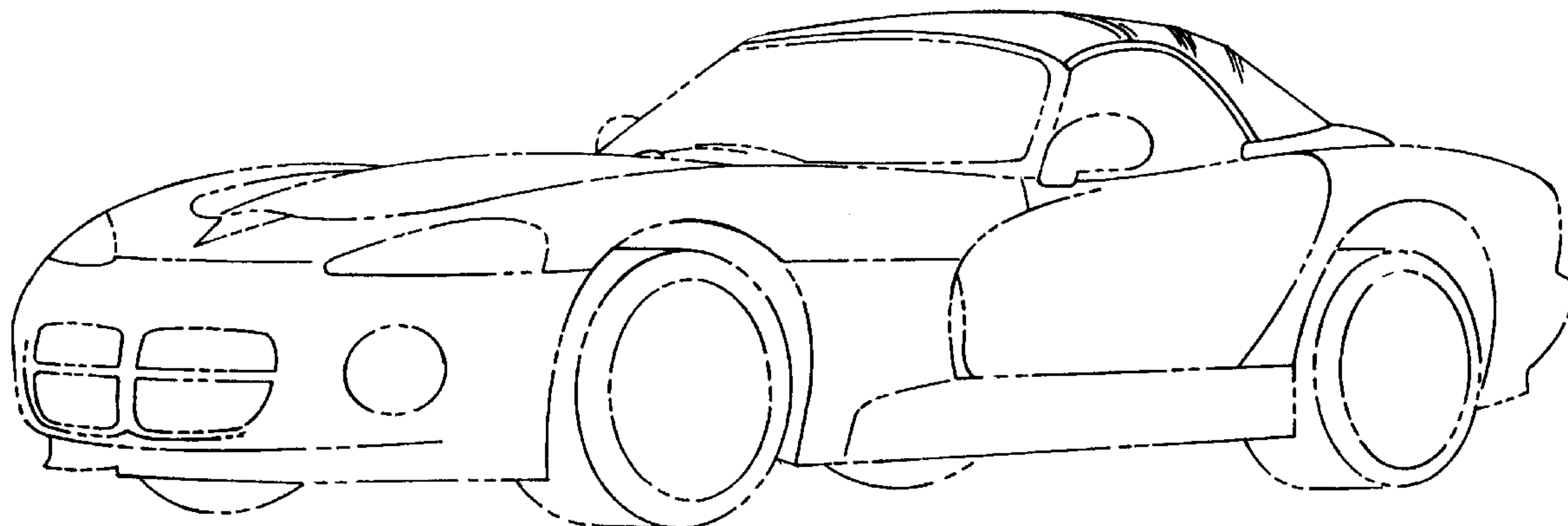
FIG. 7 is a left side view, showing the convertible top in the stored position.

FIG. 8 is a perspective view from the left front showing the convertible top in the stored position; and,

FIG. 9 is a perspective view from the left rear showing the convertible top in the stored position.

The broken line showing of an automobile in FIGS. 1-9 is for illustrative purposes only and forms no part of the claimed design.

1 Claim, 5 Drawing Sheets



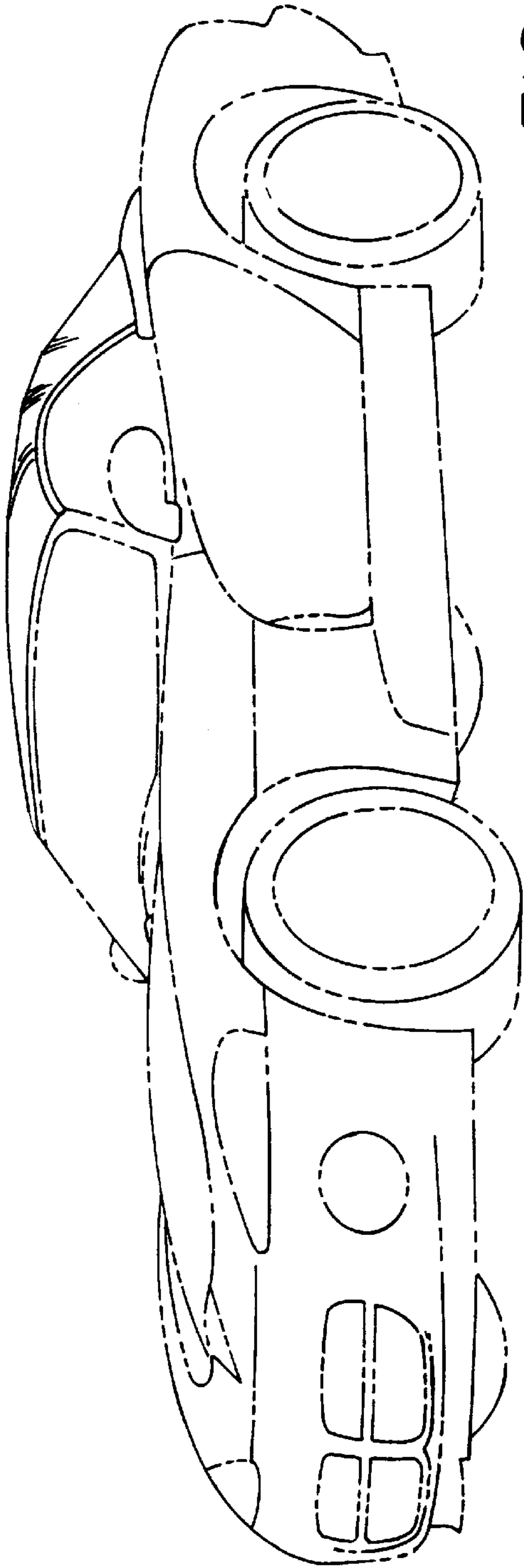


FIG. 1

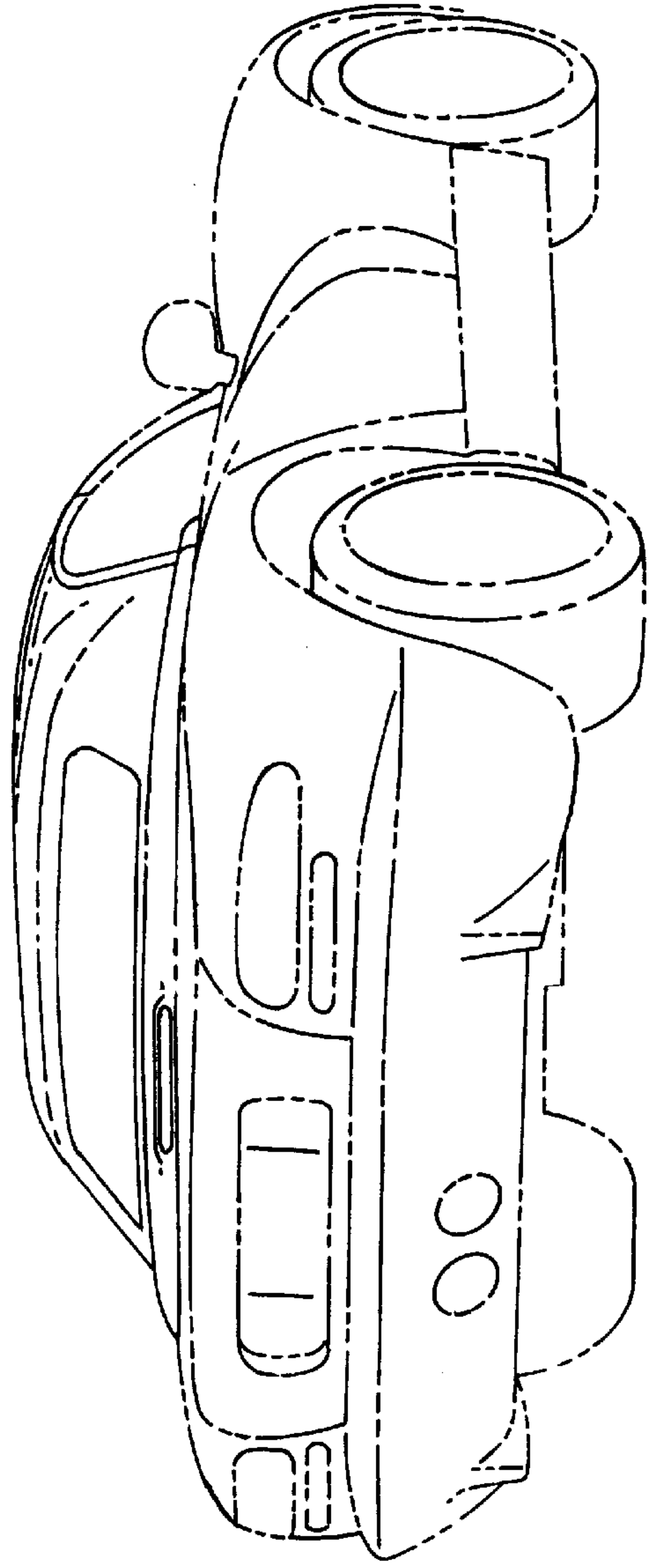


FIG. 2

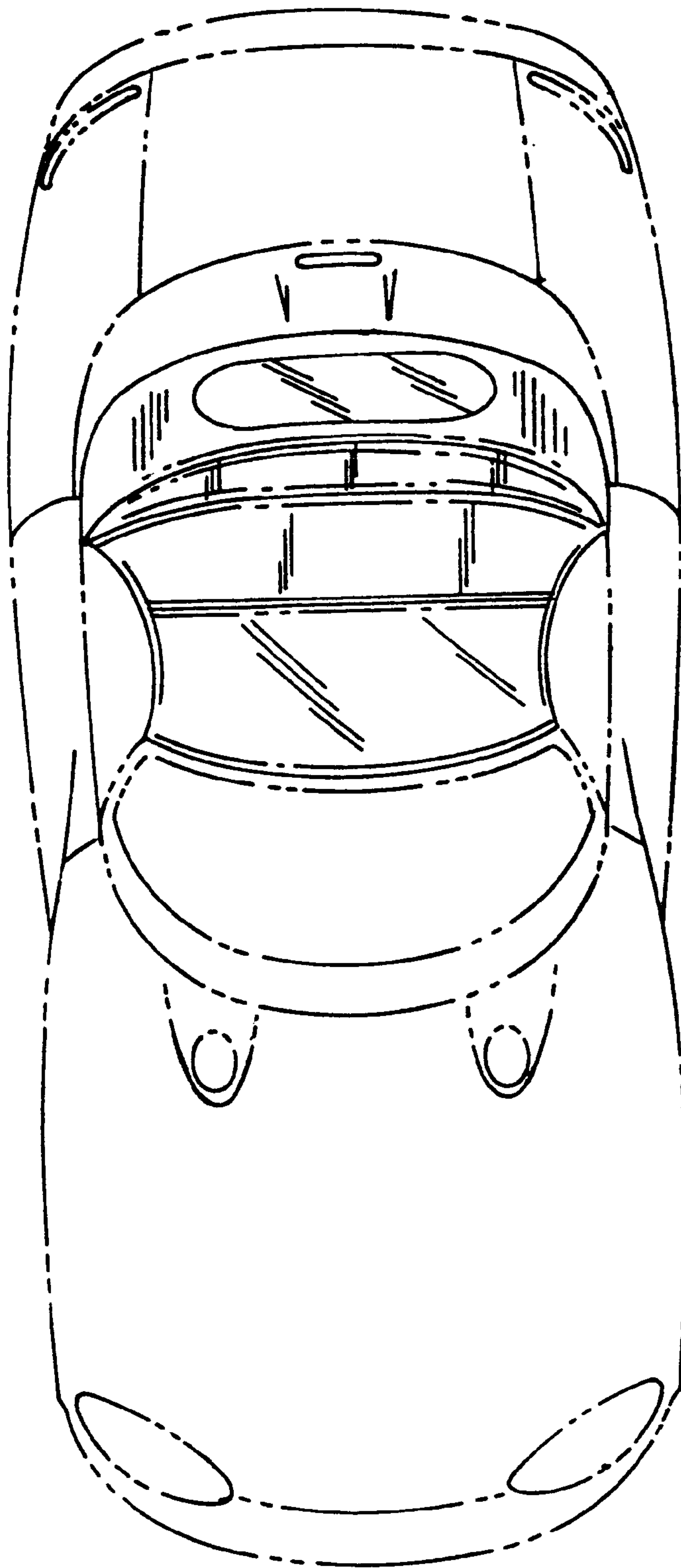


FIG. 3

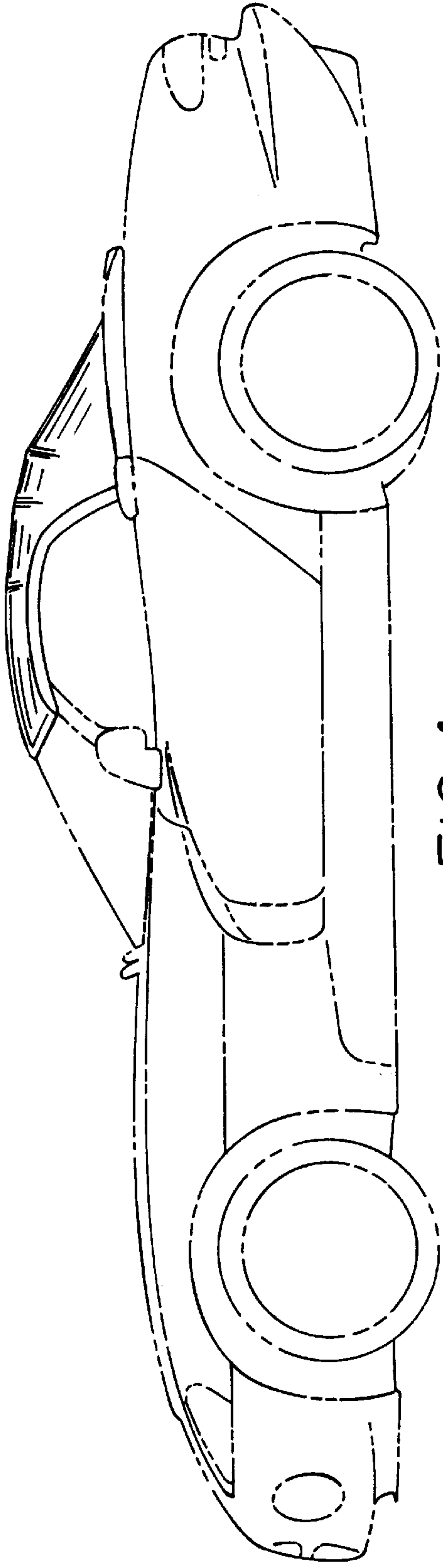


FIG. 4

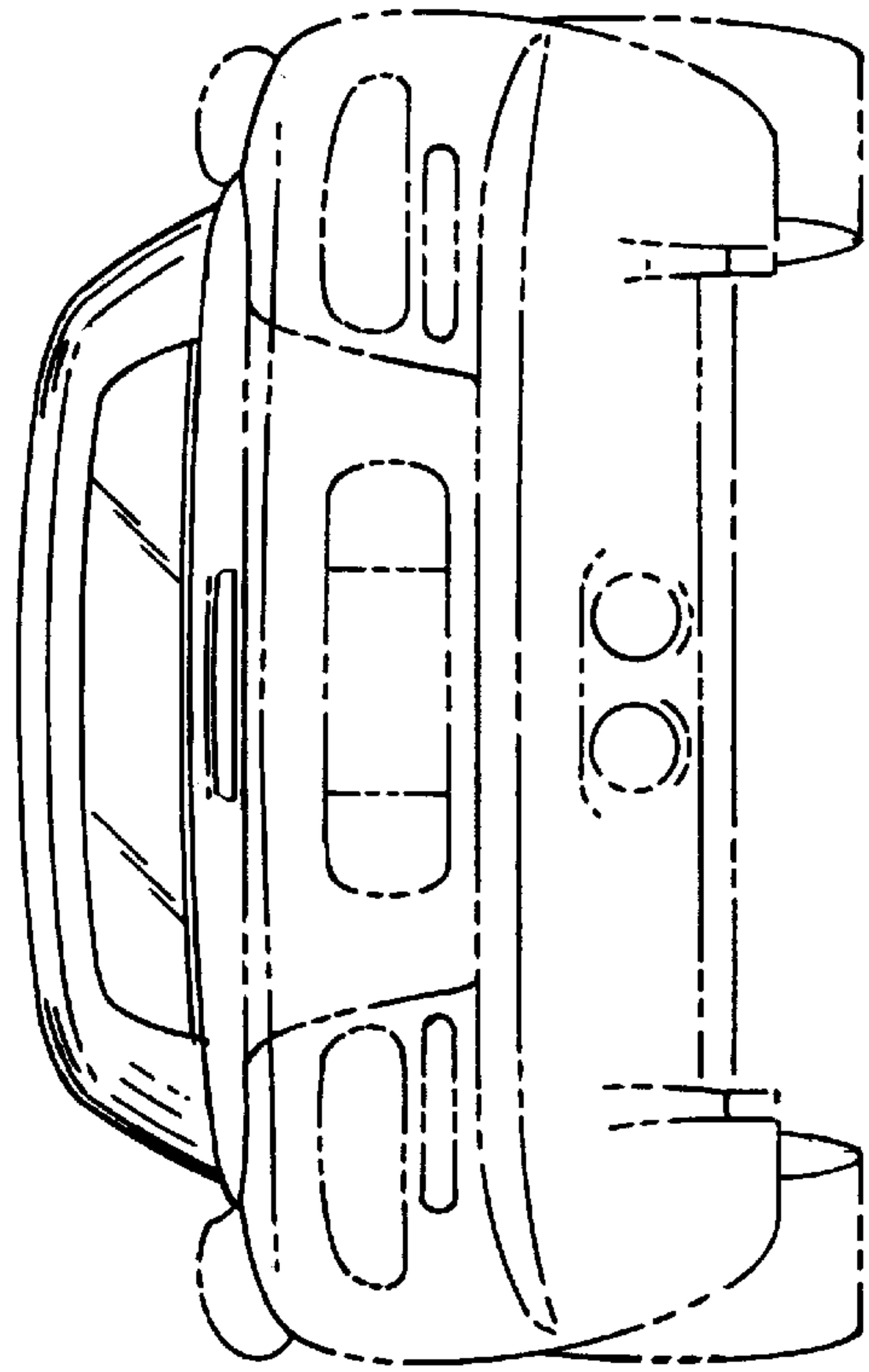


FIG. 6

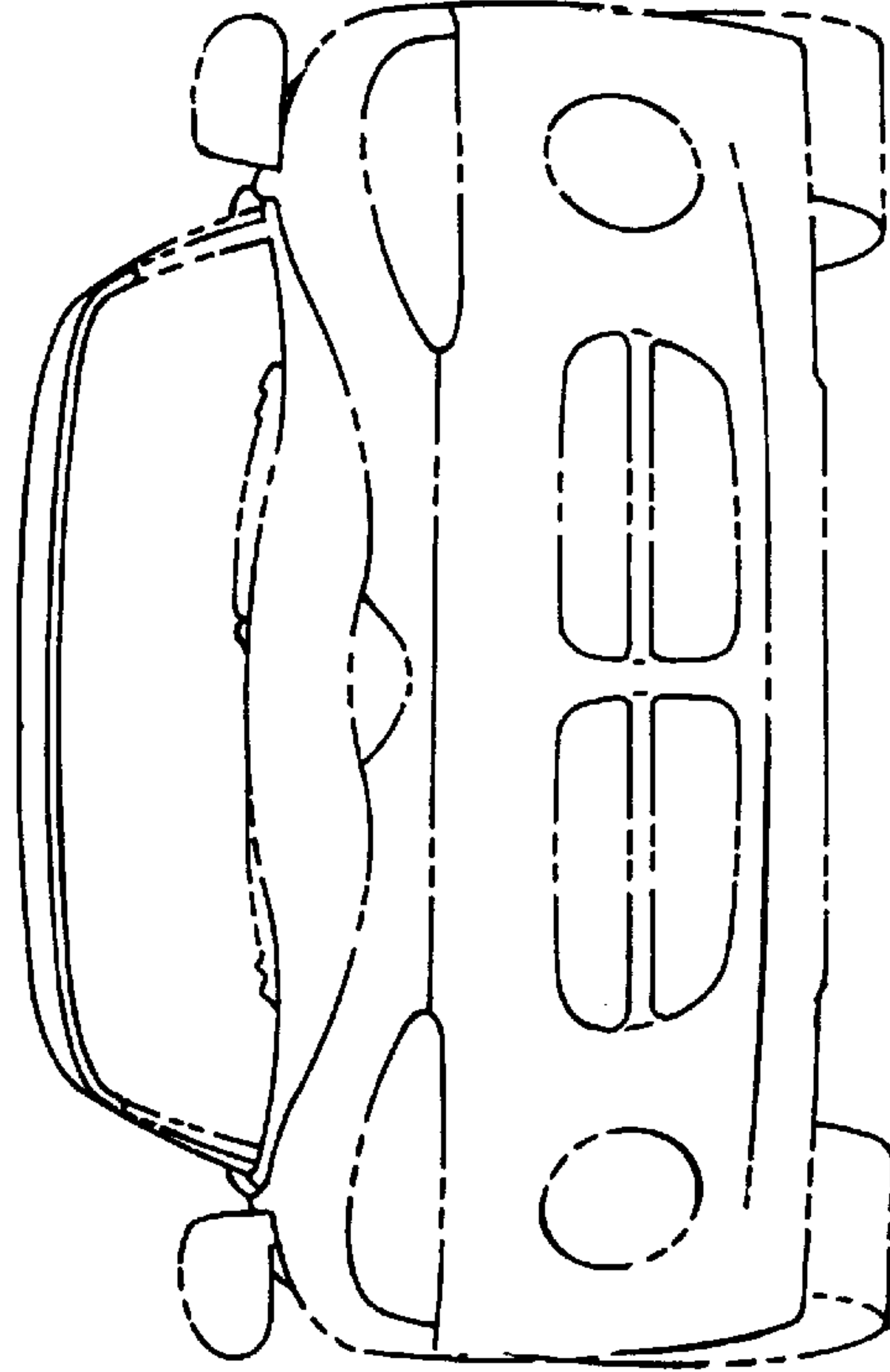


FIG. 5

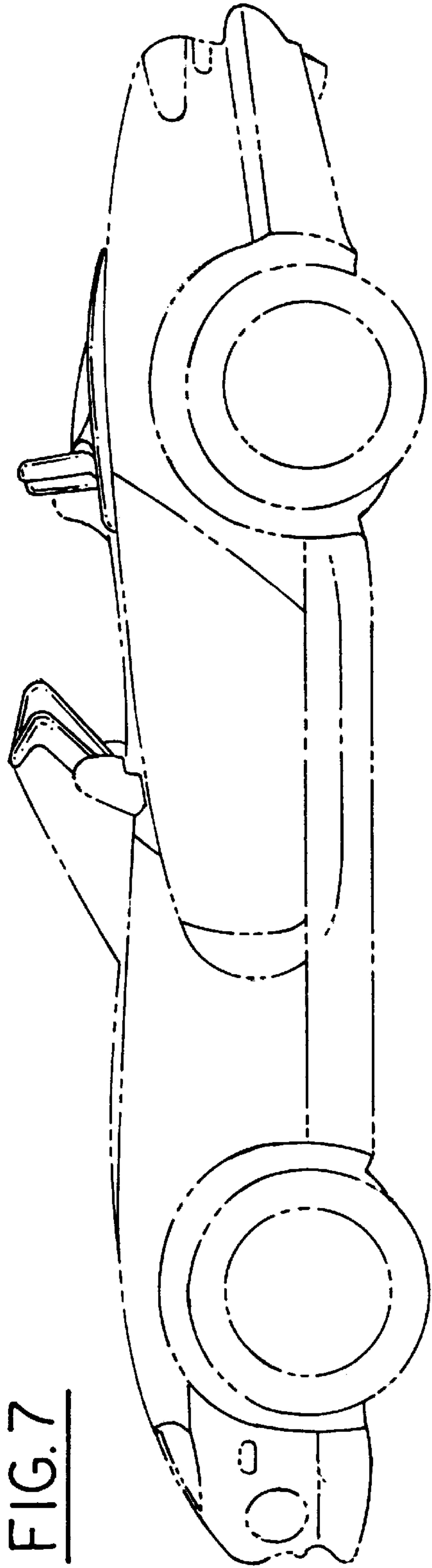


FIG. 7

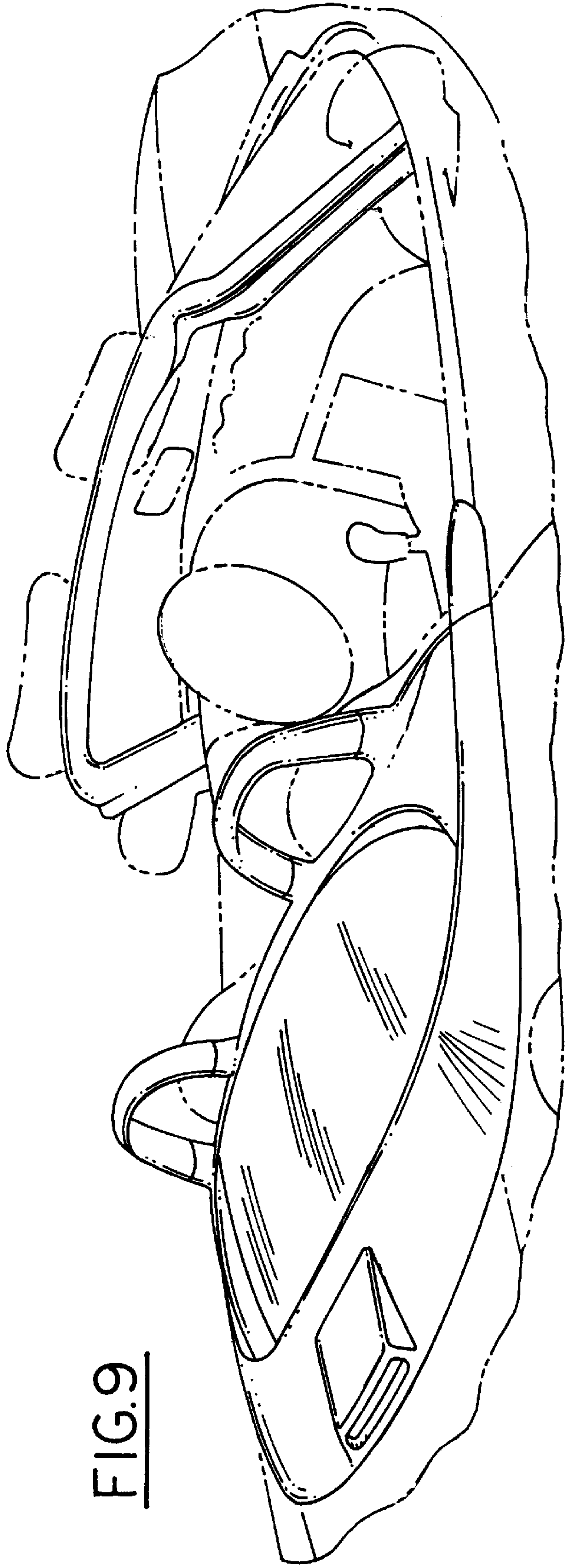


FIG. 9

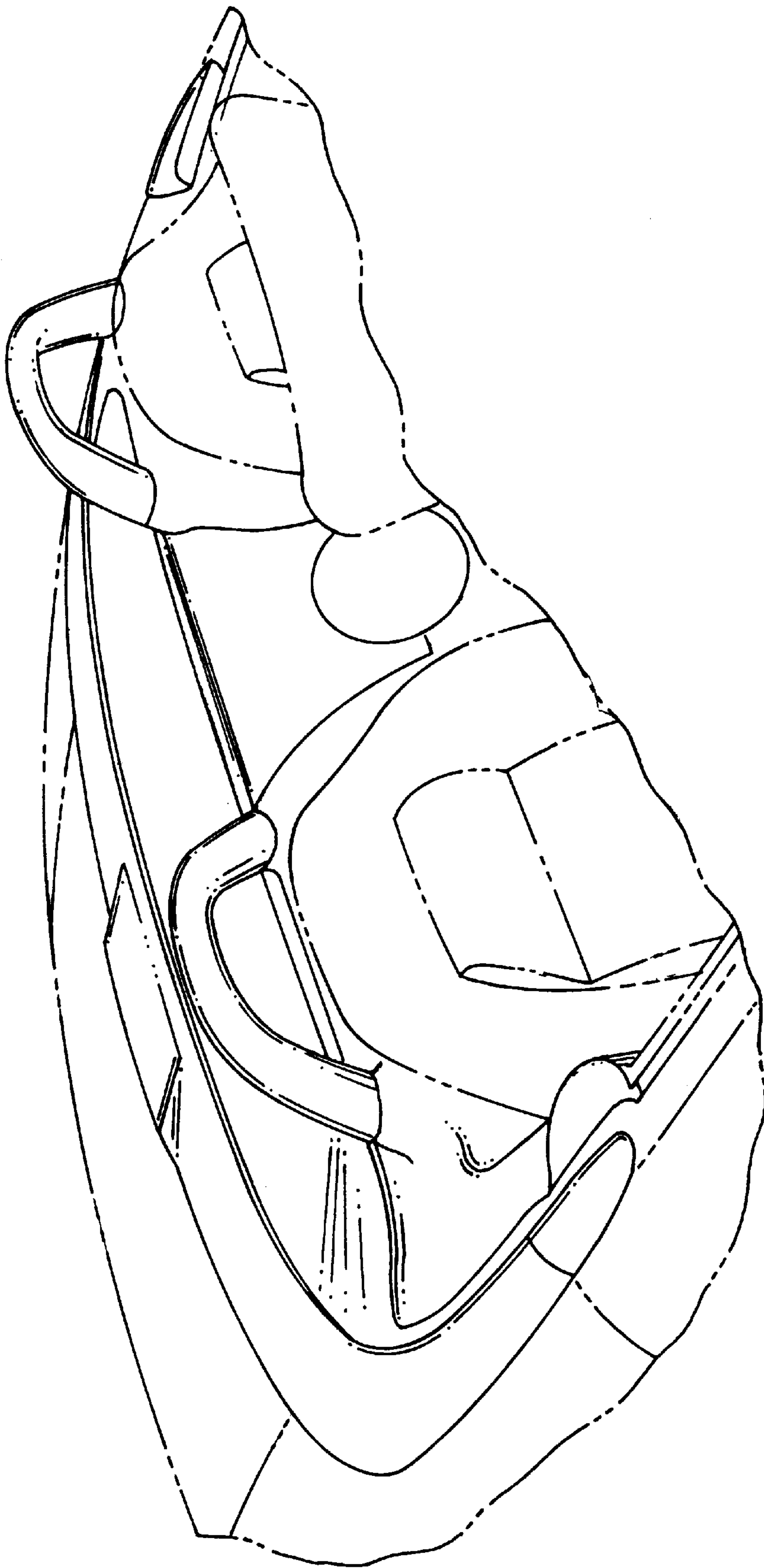


FIG. 8