



US00D429674S

United States Patent [19]

Walterscheid et al.

[11] Patent Number: **Des. 429,674**

[45] Date of Patent: **** Aug. 22, 2000**

[54] **STORAGE UNIT FOR MOUNTING ON AN INTERIOR WALL OF A VEHICLE**

[75] Inventors: **Wade J. Walterscheid**, Rosston; **Louis D. Heilaneh**, Lewisville, both of Tex.

[73] Assignee: **PACCAR Inc**, Bellevue, Wash.

[**] Term: **14 Years**

[21] Appl. No.: **29/116,986**

[22] Filed: **Jan. 13, 2000**

[51] **LOC (7) Cl.** **12-16**

[52] **U.S. Cl.** **D12/195**

[58] **Field of Search** D12/190, 195, D12/400, 415-420, 425, 422; 296/37.1, 37.6, 37.8, 37.13-37.16, 149, 146.1, 153; 224/42.11, 42.24, 42.25, 275, 539-543, 400, 406, 901; 108/25, 28, 136; D6/525, 540, 545, 567; 49/501-502

[56] **References Cited**

U.S. PATENT DOCUMENTS

- D. 249,671 9/1978 Vanderwaal D12/415
- D. 249,672 9/1978 Vanderwaal D12/415
- D. 299,186 1/1989 Sills D12/415 X
- D. 303,647 9/1989 Lim D12/195

- D. 371,109 6/1996 Schlattl D12/425
- D. 382,534 8/1997 Green D12/415
- D. 383,112 9/1997 Patterson D12/422
- D. 387,024 12/1997 Hellhake et al. D12/195

Primary Examiner—Stacia Cadmus
Attorney, Agent, or Firm—Sidley & Austin

[57] **CLAIM**

The ornamental design for a storage unit for mounting on an interior wall of a vehicle, as shown and described.

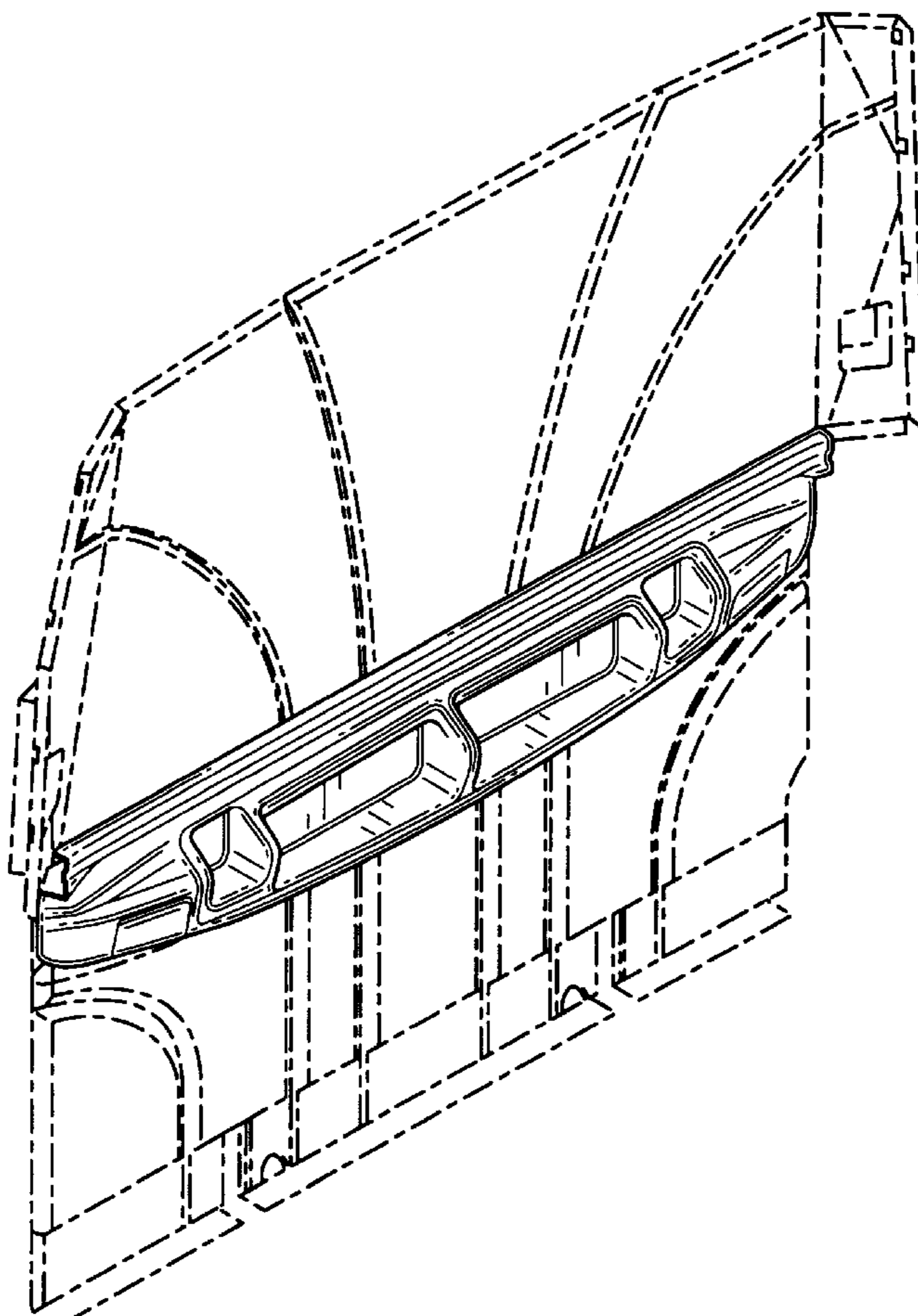
DESCRIPTION

FIG. 1 is a perspective view of a storage unit for mounting on an interior wall of a vehicle showing our new design; FIG. 2 is a front view thereof; FIG. 3 is a right side view thereof; FIG. 4 is a left side view thereof; FIG. 5 is a top view thereof; FIG. 6 is a bottom view thereof; and, FIG. 7 is a reduced perspective view thereof, shown attached to the interior of a vehicle.

The rear of the storage unit forms no part of the claimed design.

The broken line showing of environment is for illustrative purposes only and forms no part of the claimed design.

1 Claim, 6 Drawing Sheets



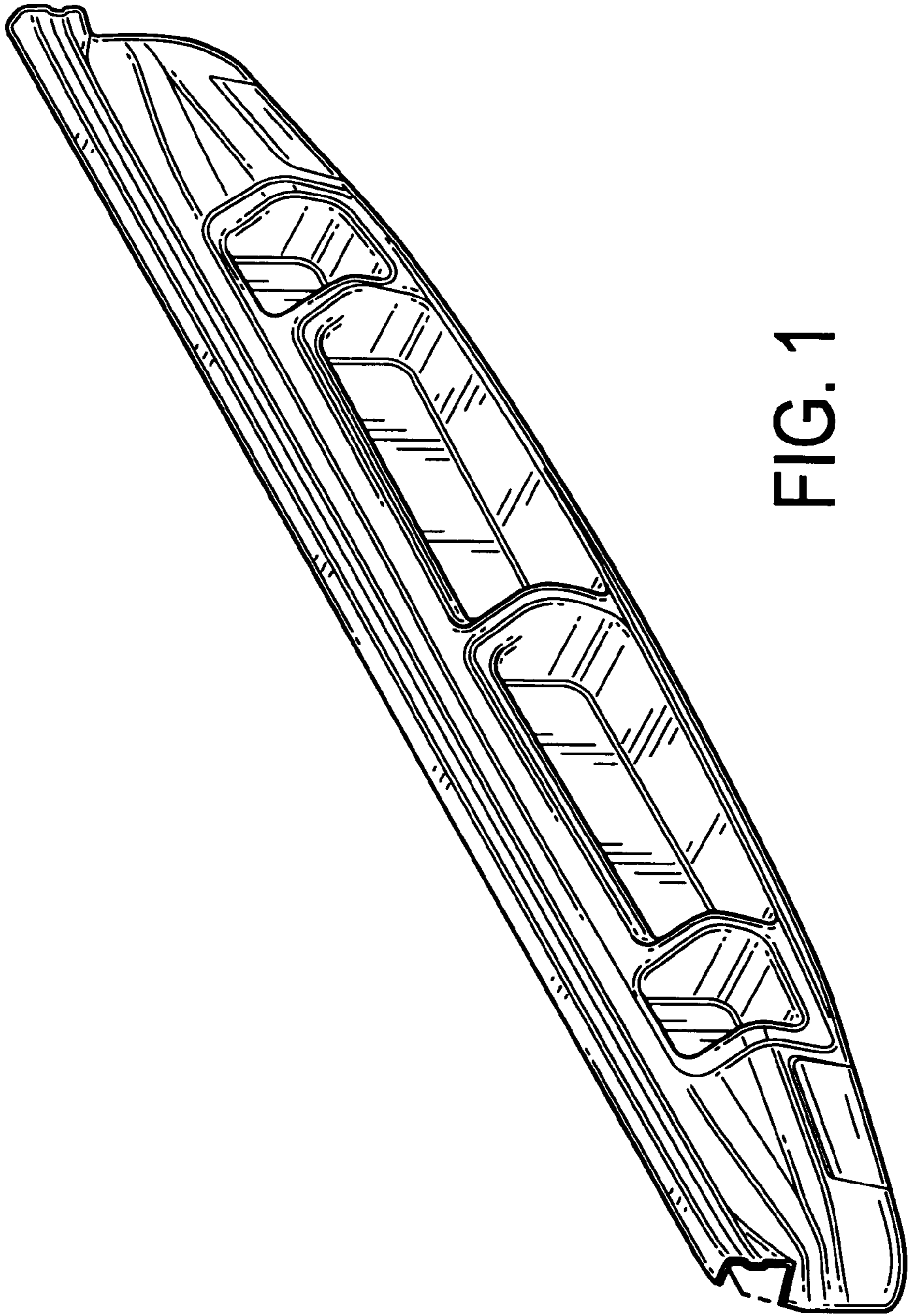


FIG. 1

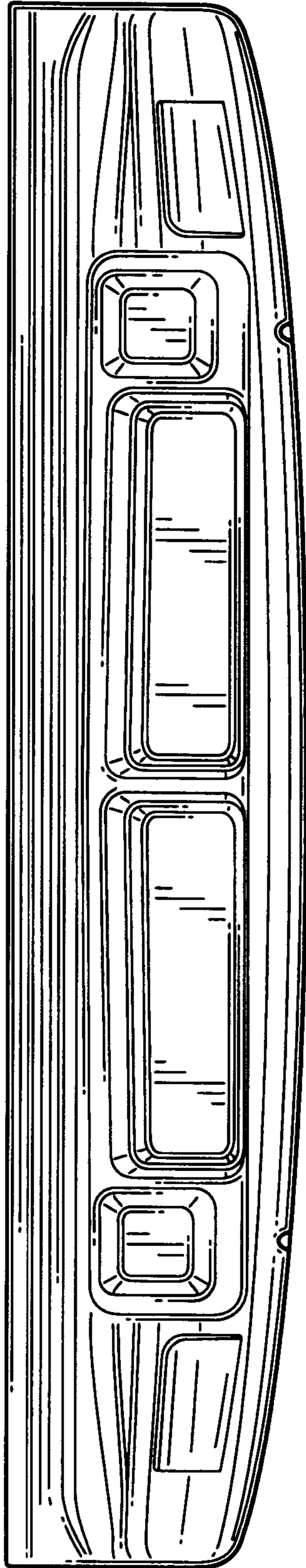


FIG. 2

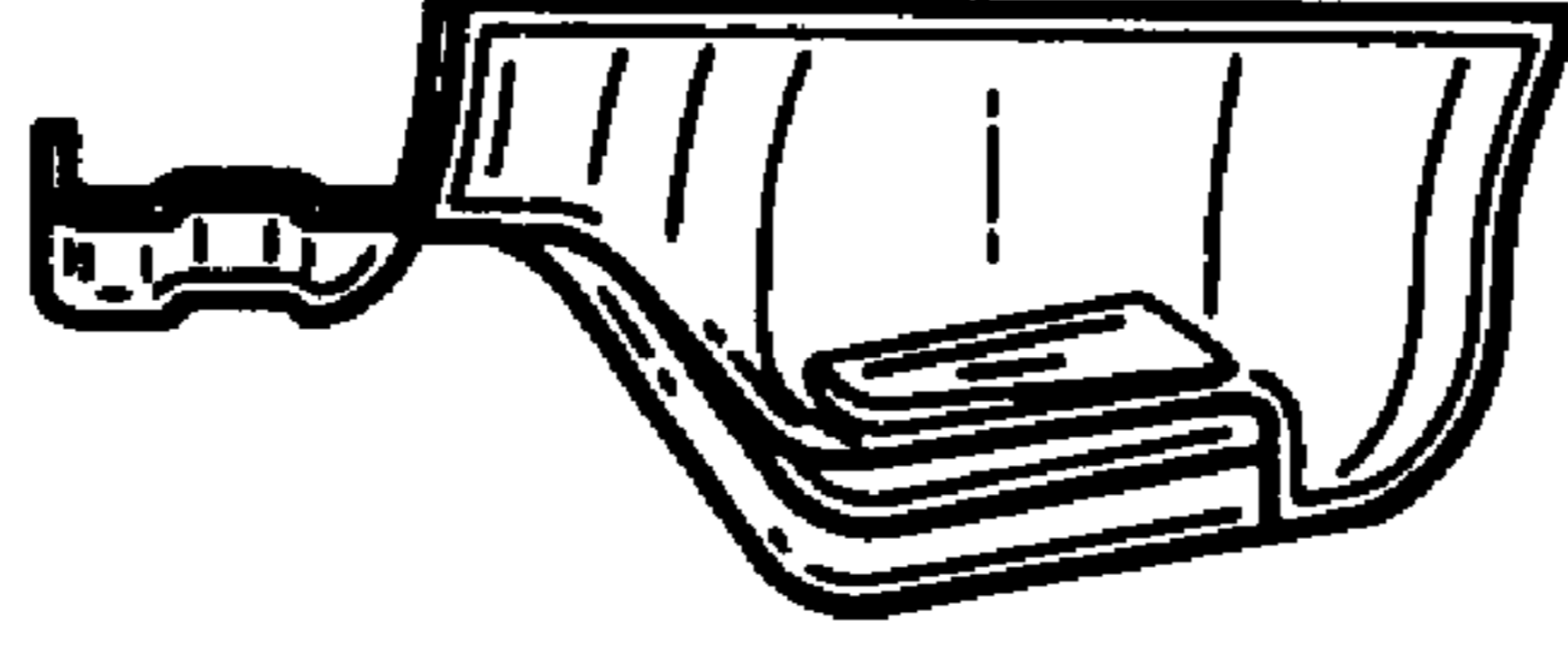


FIG. 3

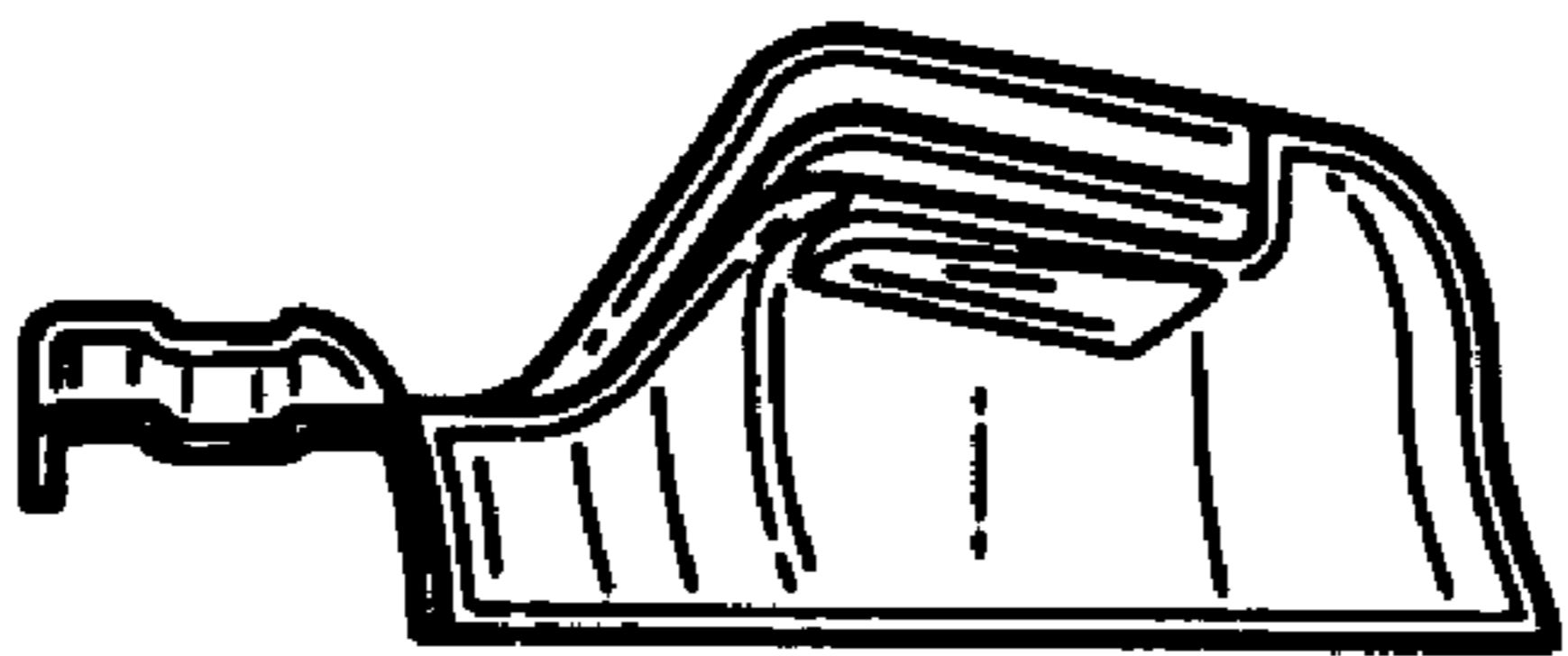


FIG. 4

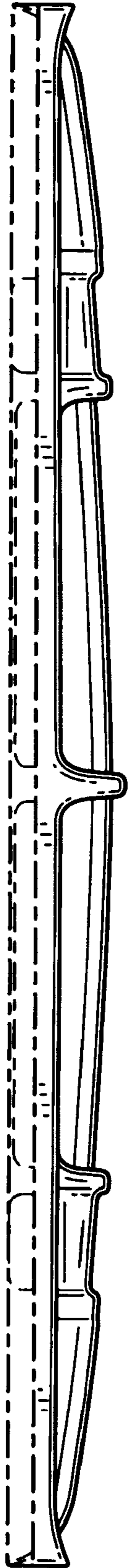


FIG. 5

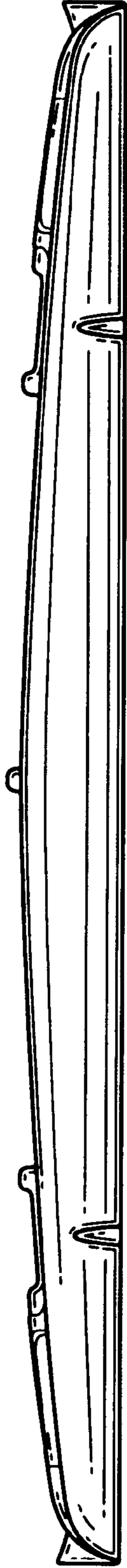


FIG. 6

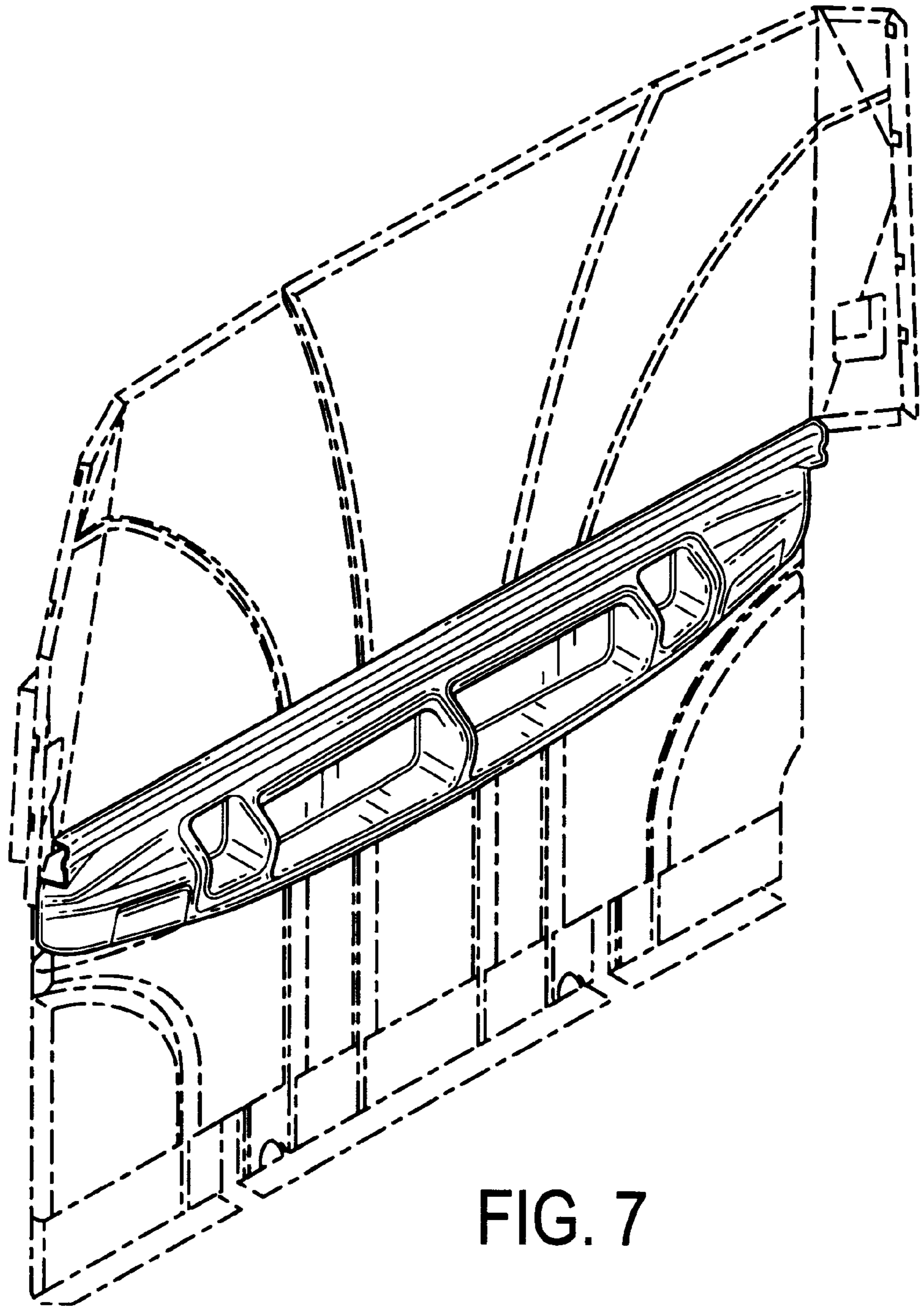


FIG. 7