



US00D429673S

United States Patent [19]
Pfeiffer

[11] **Patent Number: Des. 429,673**

[45] **Date of Patent: ** Aug. 22, 2000**

[54] **SURFACE CONFIGURATION OF A SIDE MIRROR FOR A VEHICLE**

[75] Inventor: **Peter Pfeiffer**, Boeblingen, Germany

[73] Assignee: **DaimlerChrysler AG**, Stuttgart, Germany

[**] Term: **14 Years**

[21] Appl. No.: **29/111,141**

[22] Filed: **Sep. 23, 1999**

[30] **Foreign Application Priority Data**

Mar. 23, 1999 [DE] Germany 49 903 055

[51] **LOC (7) Cl.** **12-16**

[52] **U.S. Cl.** **D12/187**

[58] **Field of Search** D12/187, 188, D12/189; D6/300, 309; 359/838, 841, 843, 844, 850, 868, 871, 872, 874, 876, 877, 881; 248/475.1, 480, 481, 479, 487, 494, 483

[56] **References Cited**

U.S. PATENT DOCUMENTS

- D. 332,771 1/1993 Sacco et al. D12/187
- D. 350,721 9/1994 Dayton et al. D12/187
- D. 372,450 8/1996 Santo D12/187

Primary Examiner—Louis S. Zarfes
Assistant Examiner—Inga-Maria Hyttinen
Attorney, Agent, or Firm—Evenson, McKeown, Edwards & Lenahan, P.L.L.C.

[57] **CLAIM**

The ornamental design for a surface configuration of a side mirror for a vehicle, as shown and described.

DESCRIPTION

This application is related to the co-pending Application Ser. No. 29/111,146, of the inventor, filed on even date herewith and entitled "Surface Configuration of a Vehicle".

FIG. 1 is a front perspective view of a first embodiment of a surface configuration of a side mirror for a vehicle according to my novel design;

FIG. 2 is a rear perspective view of the first embodiment of the surface configuration of a side mirror for a vehicle according to my novel design;

FIG. 3 is a rear view of the first embodiment of the surface configuration of a side mirror for a vehicle according to my novel design;

FIG. 4 is a front view of the first embodiment of the surface configuration of a side mirror for a vehicle according to my novel design;

FIG. 5 is a side view of the first embodiment of the surface configuration of a side mirror for a vehicle according to my novel design;

FIG. 6 is a front perspective view of a second embodiment of a surface configuration of a side mirror for a vehicle according to my novel design;

FIG. 7 is a rear perspective view of the second embodiment of the surface configuration of a side mirror for a vehicle according to my novel design;

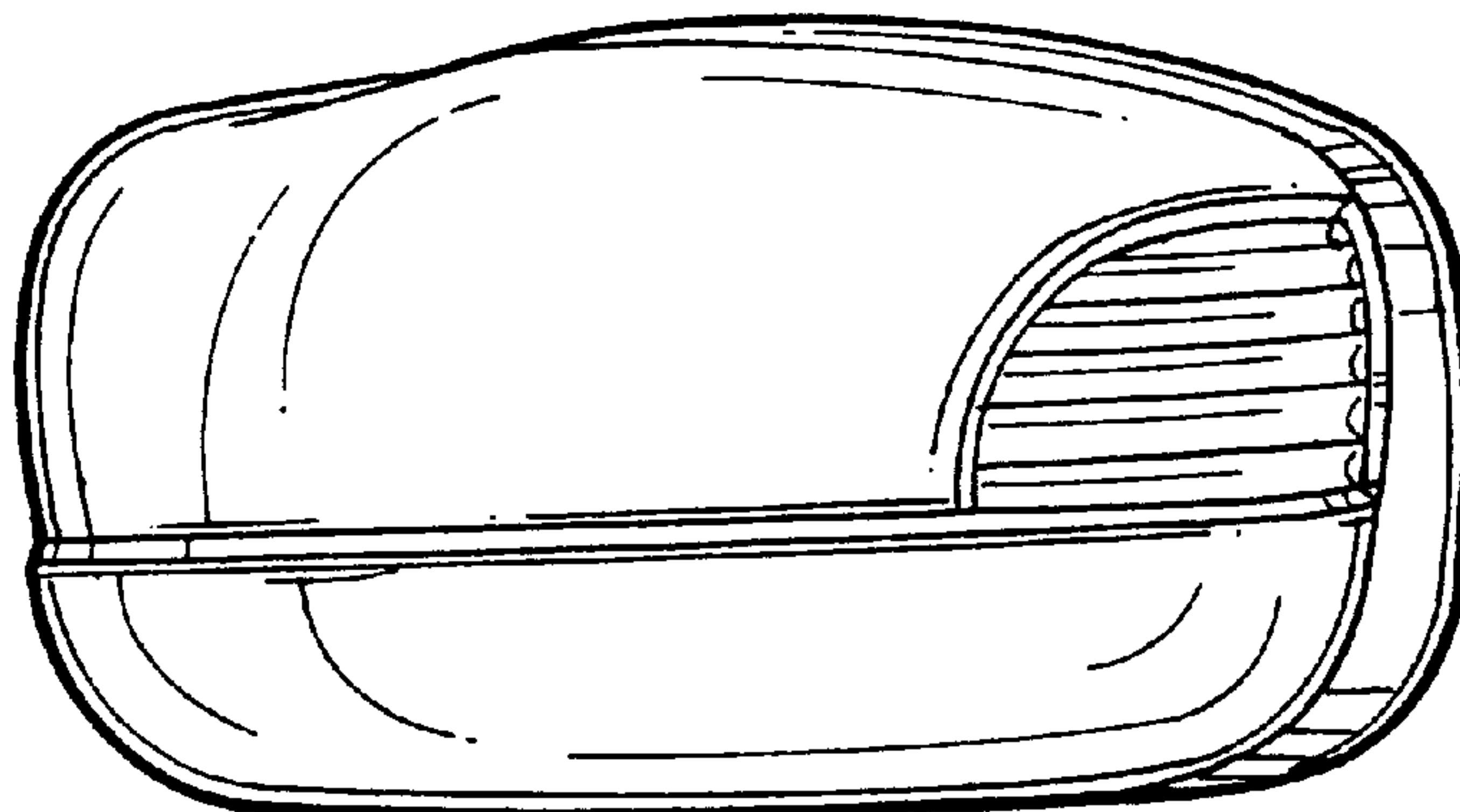
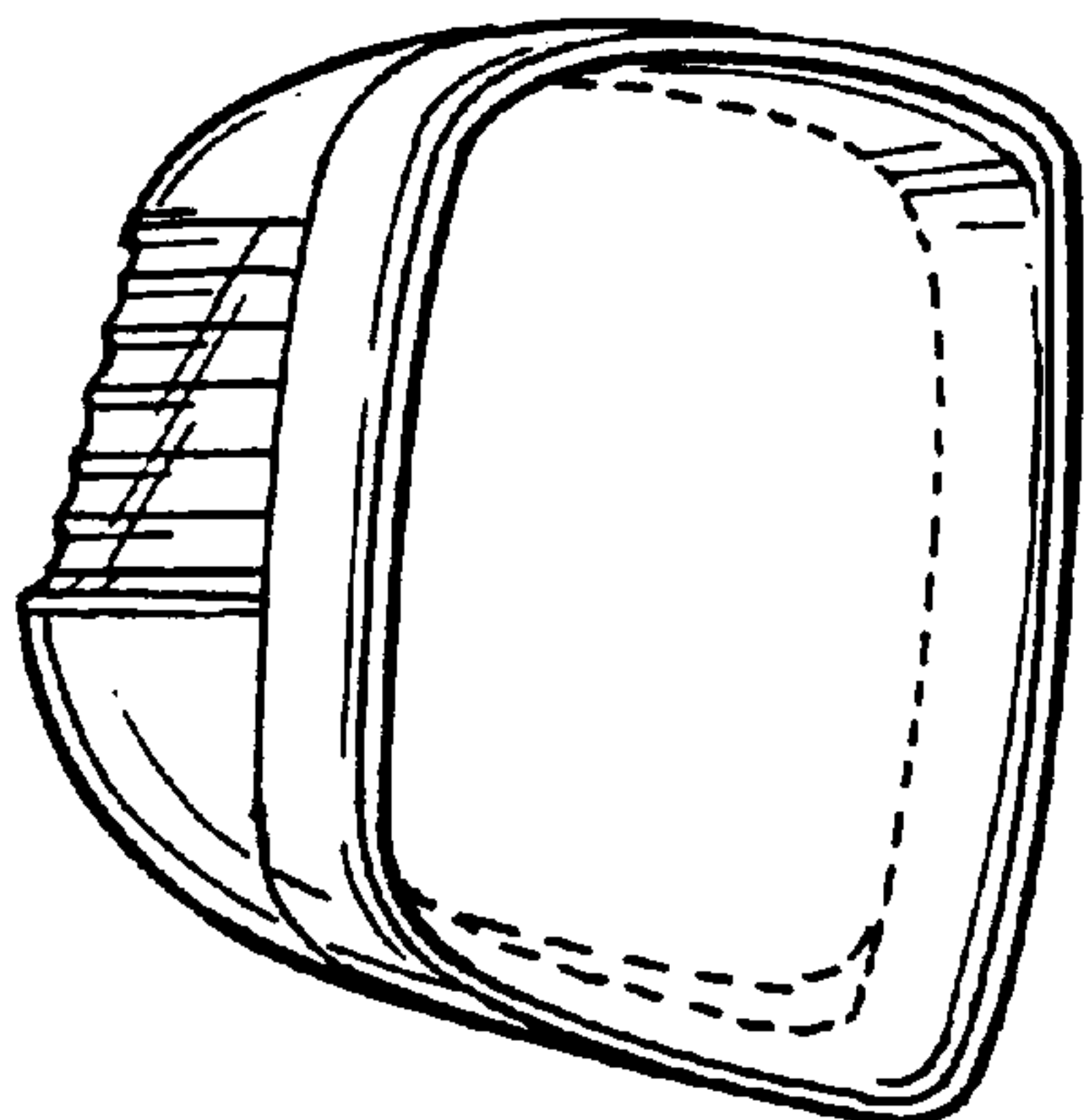
FIG. 8 is a rear view of the second embodiment of the surface configuration of a side mirror for a vehicle according to my novel design;

FIG. 9 is a front view of the second embodiment of the surface configuration of a side mirror for a vehicle according to my novel design; and,

FIG. 10 is a side view of the second embodiment of the surface configuration of a side mirror for a vehicle according to my novel design.

The dash lines included depict environment and are not part of the claimed design.

1 Claim, 2 Drawing Sheets



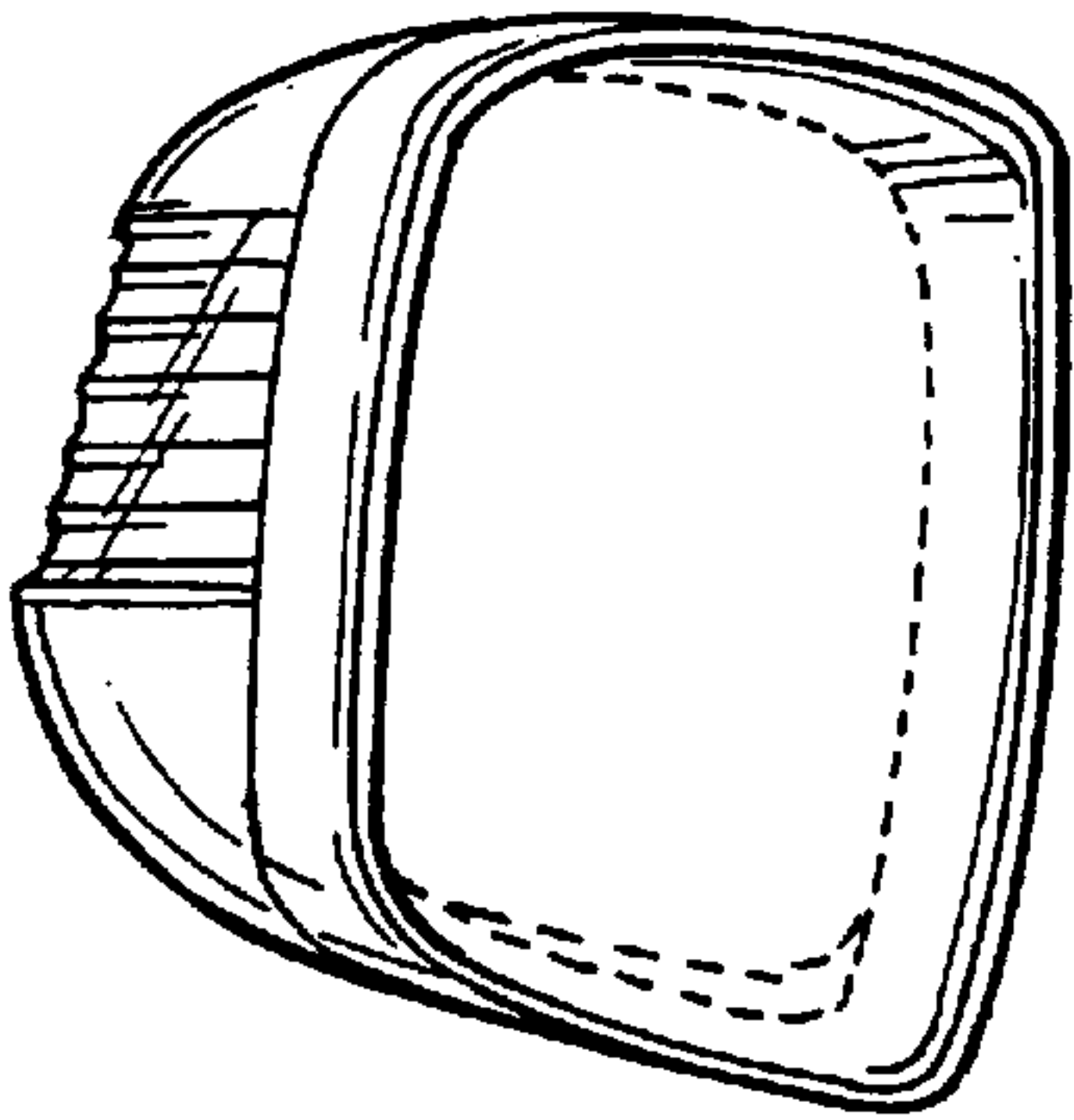


FIG. 1

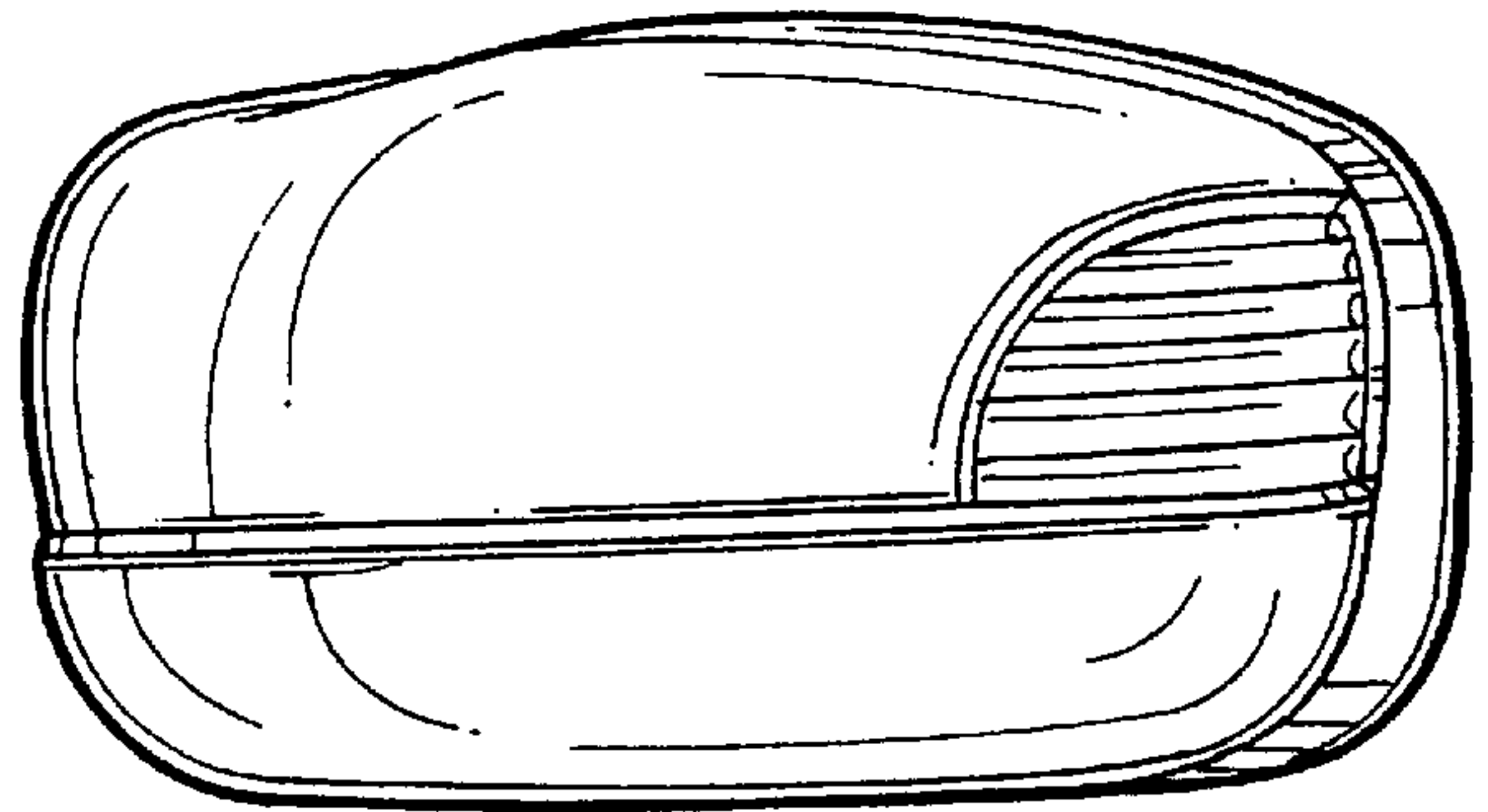


FIG. 2

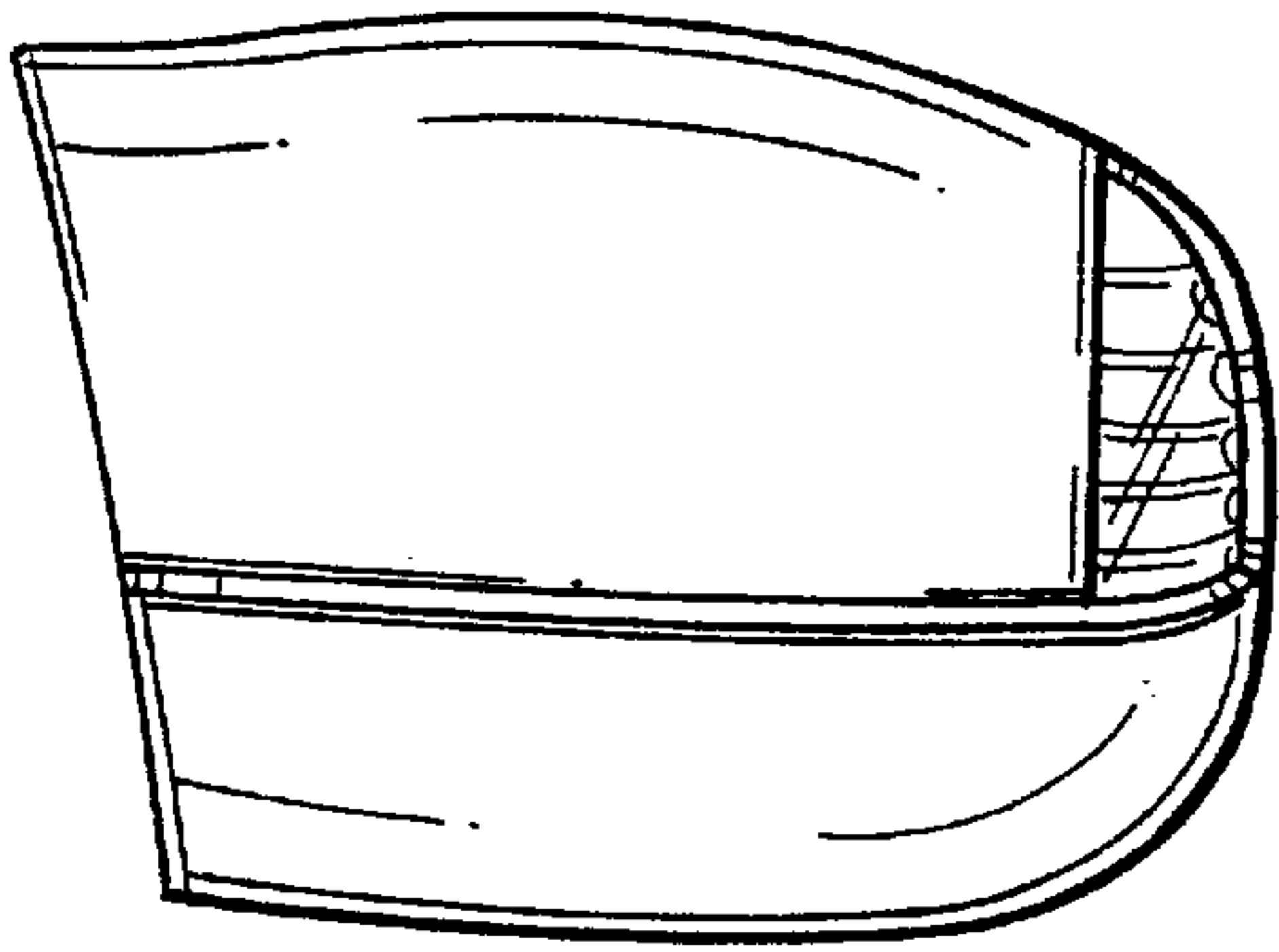


FIG. 3

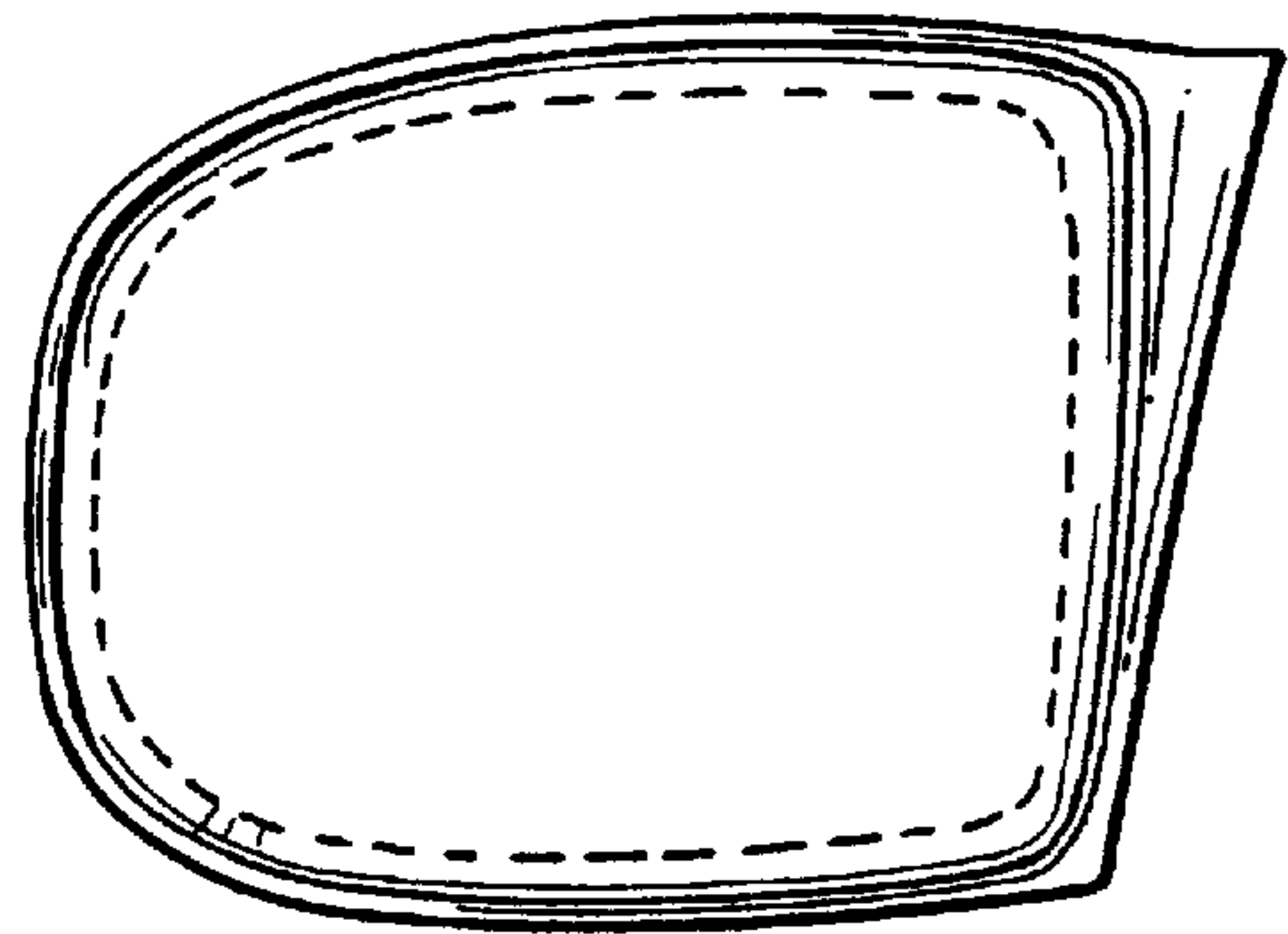


FIG. 4

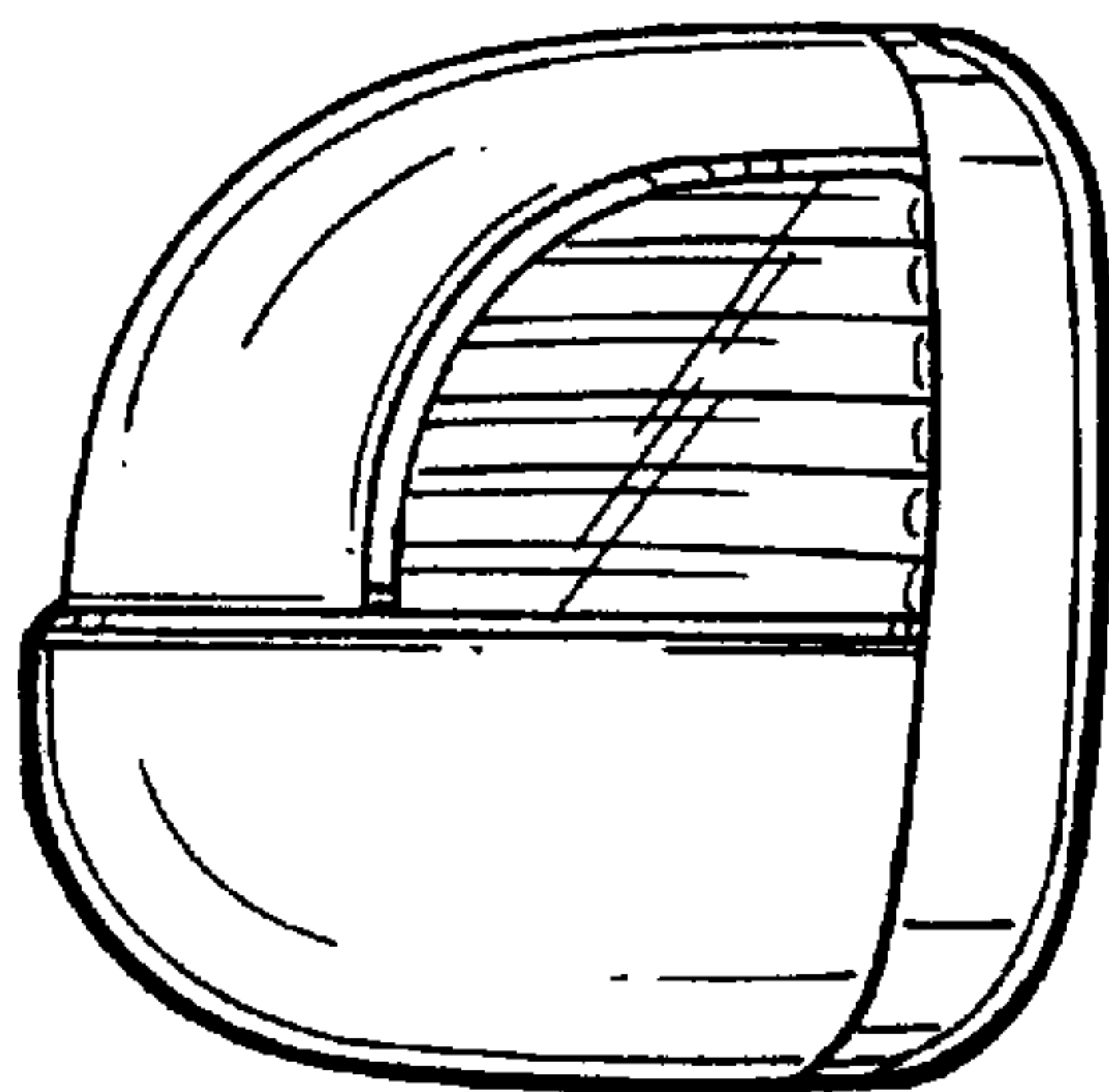


FIG. 5

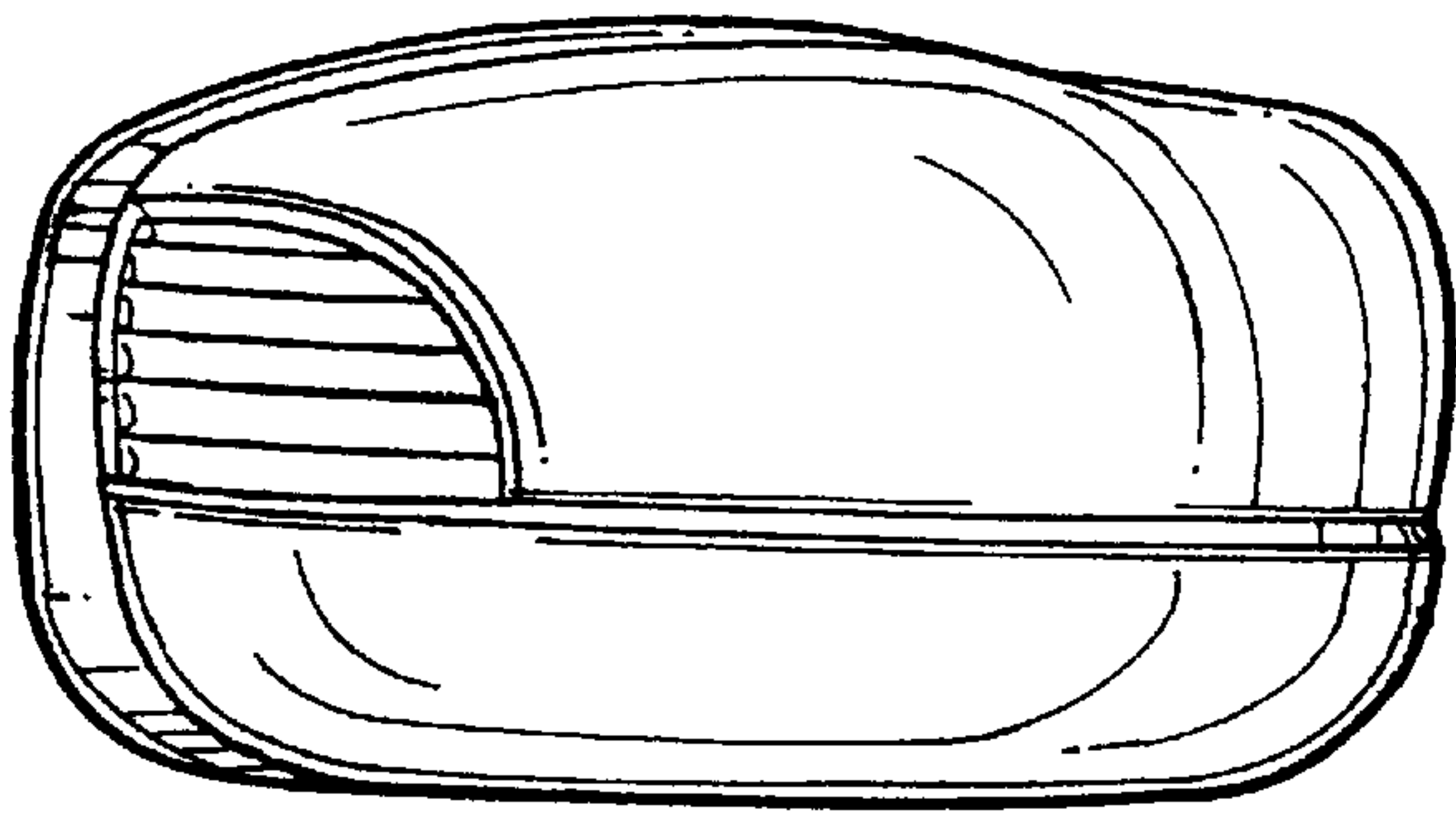


FIG. 6

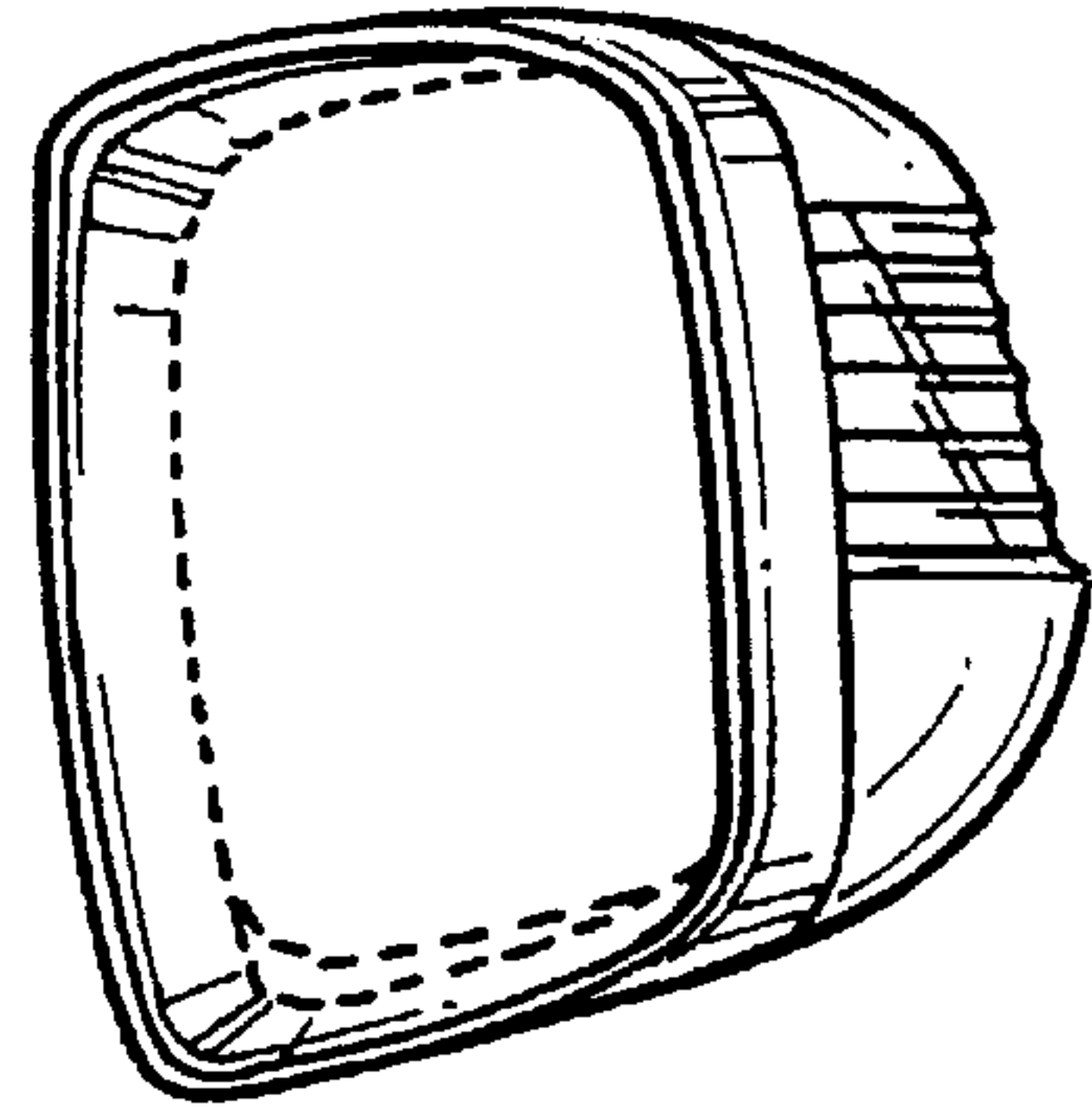


FIG. 7

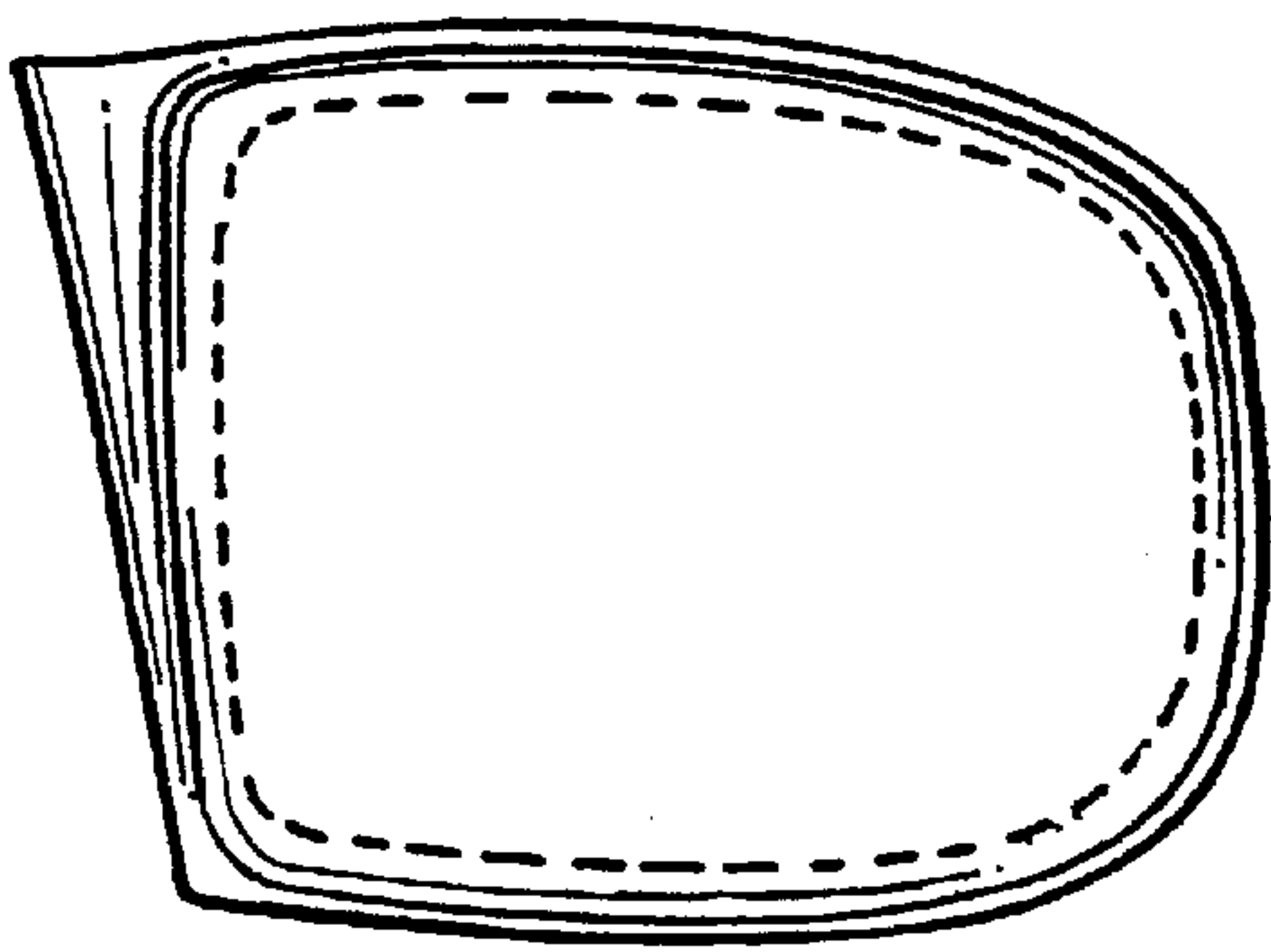


FIG. 8

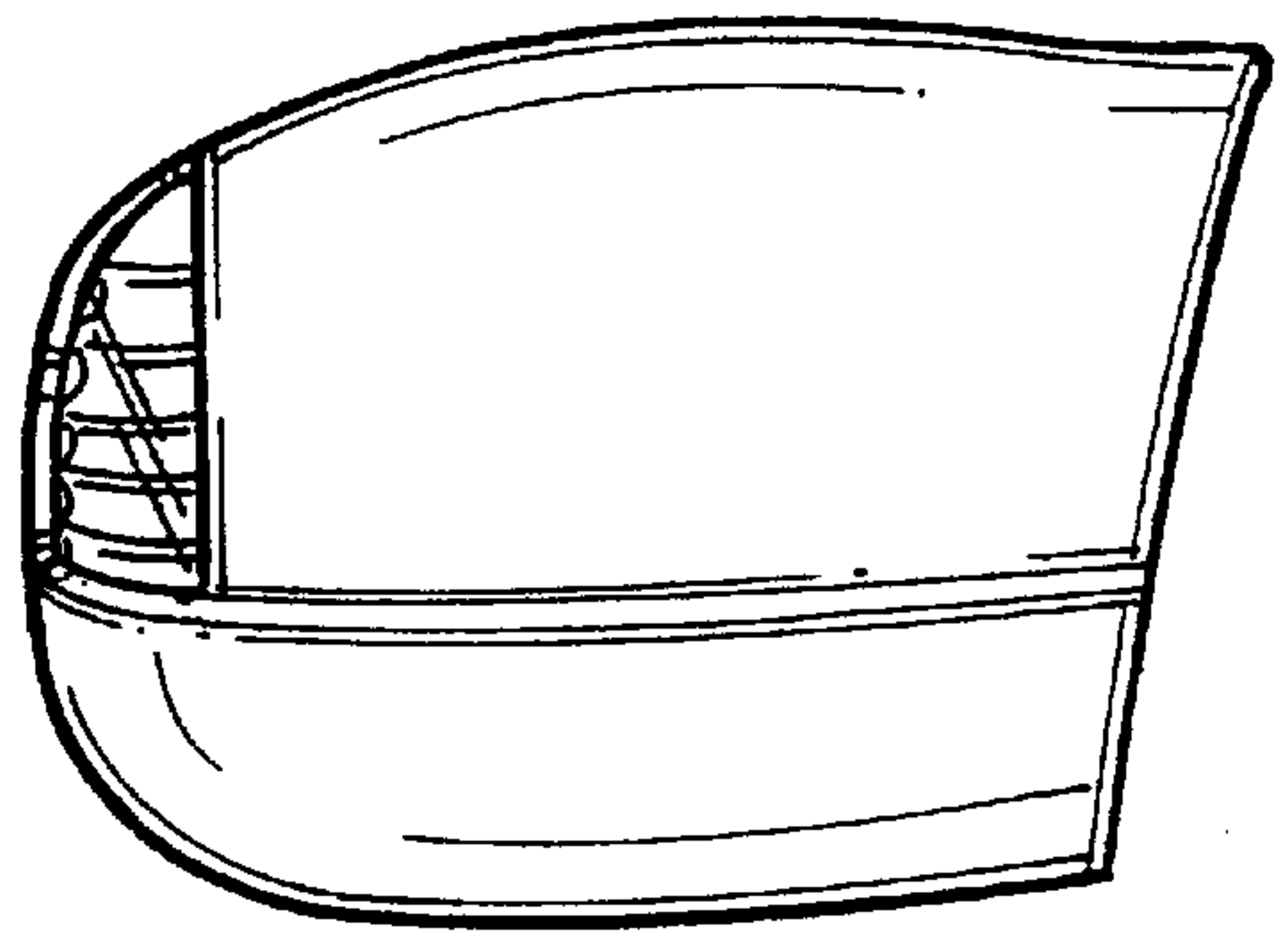


FIG. 9

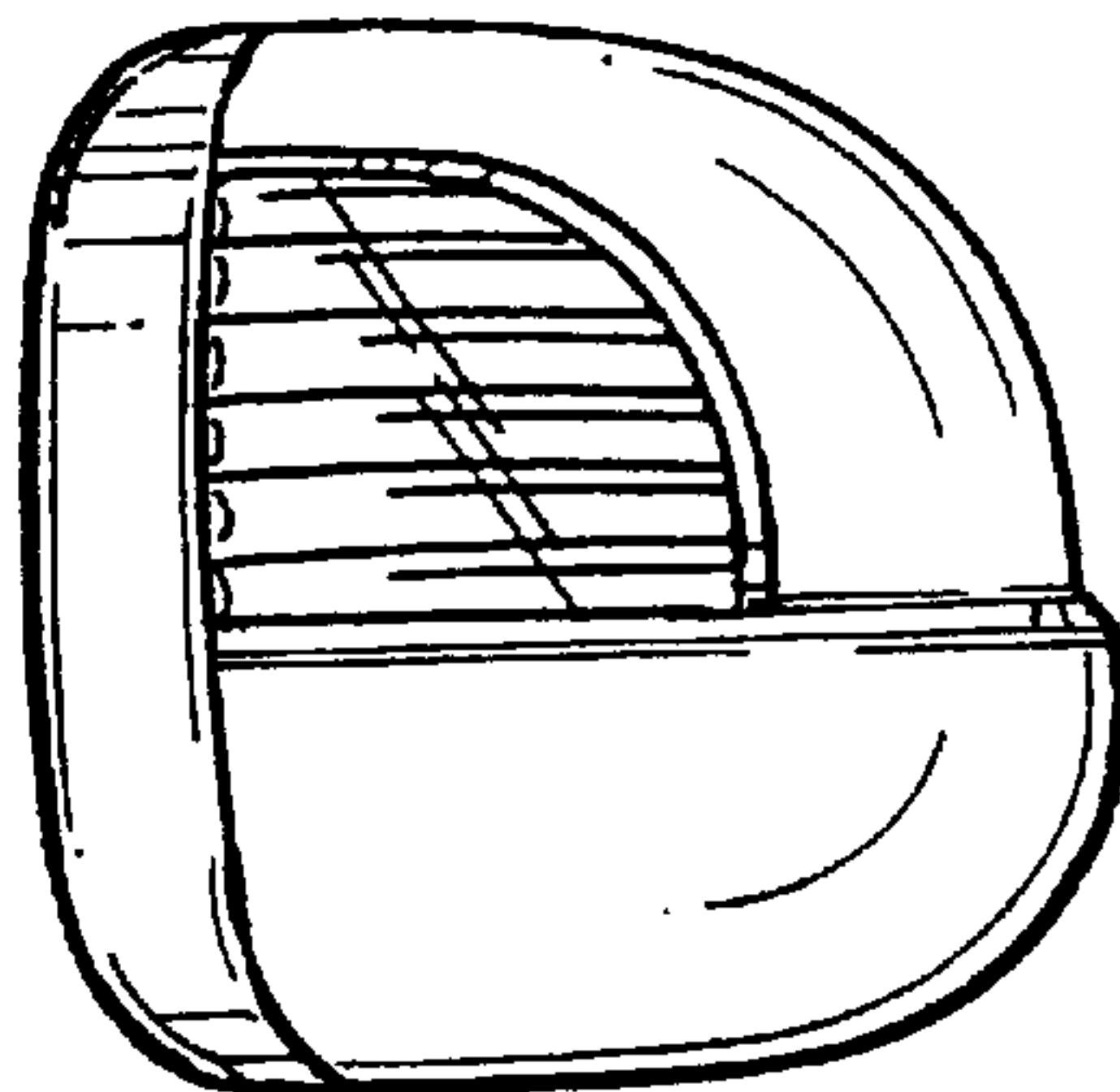


FIG. 10