



US00D429671S

United States Patent [19] Stevens

[11] Patent Number: **Des. 429,671**

[45] Date of Patent: **** Aug. 22, 2000**

[54] **STEERING WHEEL COVER**

[75] Inventor: **Laurie J. Stevens**, Oak Park, Calif.

[73] Assignee: **Quaker State Investment Corporation**, Houston, Tex.

[**] Term: **14 Years**

[21] Appl. No.: **29/116,176**

[22] Filed: **Dec. 28, 1999**

[51] **LOC (7) Cl.** **12-16**

[52] **U.S. Cl.** **D12/177**

[58] **Field of Search** D12/177, 175,
D12/176; 74/558, 558.5

- D. 364,672 11/1995 Shroitman .
- D. 395,629 6/1998 Moore, Jr. D12/177
- D. 409,538 5/1999 Isetani et al. .
- D. 411,495 6/1999 Itshakov .
- D. 415,082 10/1999 Itshakov .
- 1,317,730 10/1919 Ryan .
- 1,876,993 9/1932 Manning .
- 1,984,033 12/1934 Ritchie .
- 3,726,152 4/1973 Tsuneizumi .
- 5,251,506 10/1993 Stagaki 74/558

Primary Examiner—Melody N. Brown
Attorney, Agent, or Firm—Jenkins & Gilchrist, A
Professional Corporation

[57] CLAIM

The ornamental design for a steering wheel cover, as shown and described.

DESCRIPTION

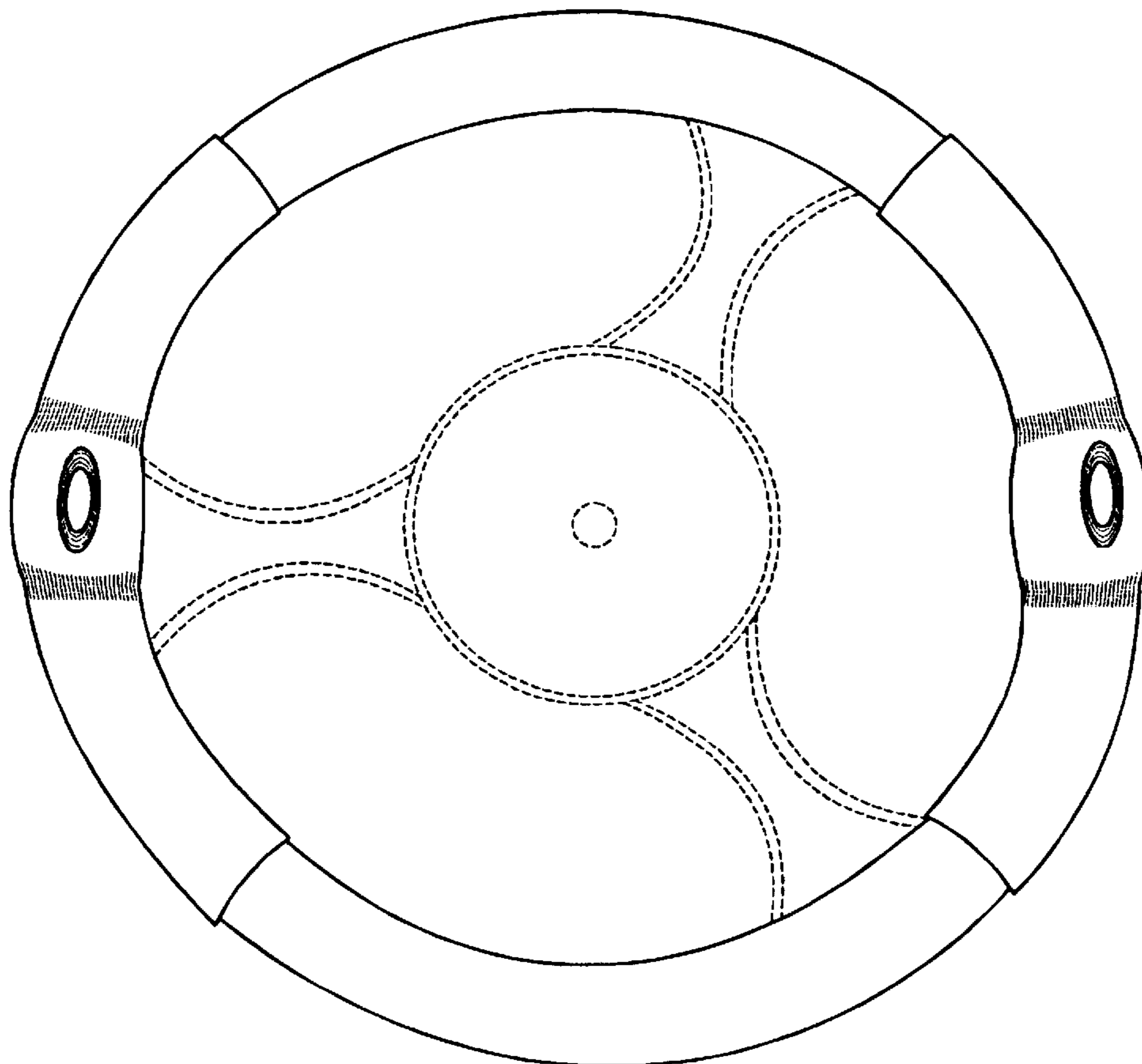
FIG. 1 is a front perspective view of the steering wheel cover showing my new design.
FIG. 2 is a rear perspective view thereof.
FIG. 3 is a left side elevational view thereof.
FIG. 4 is a right side elevational view thereof.
FIG. 5 is a top plan view thereof; and,
FIG. 6 is a bottom plan view thereof.

1 Claim, 4 Drawing Sheets

[56] References Cited

U.S. PATENT DOCUMENTS

- D. 68,698 11/1925 Geyer .
- D. 184,365 2/1959 Marker .
- D. 222,768 12/1971 Tsuneizumi .
- D. 252,457 7/1979 Conterno .
- D. 280,314 8/1985 Strongwater D12/177
- D. 311,369 10/1990 Whitley, II .
- D. 321,497 11/1991 Whitley, II .
- D. 327,497 6/1992 Whitley, III D12/176
- D. 342,925 1/1994 Brajcki .
- D. 364,372 11/1995 Skroitman D12/177



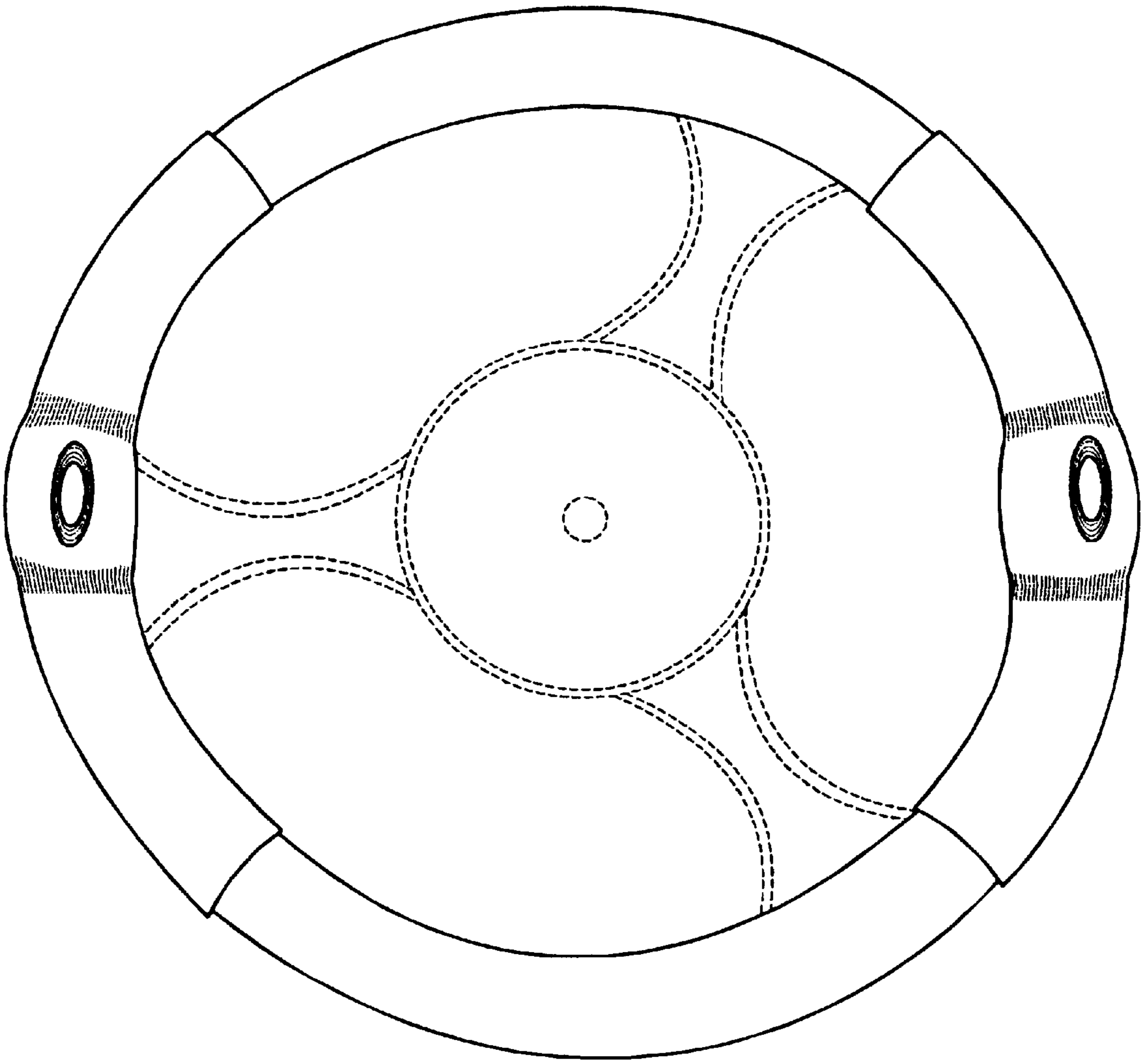


FIG. 1

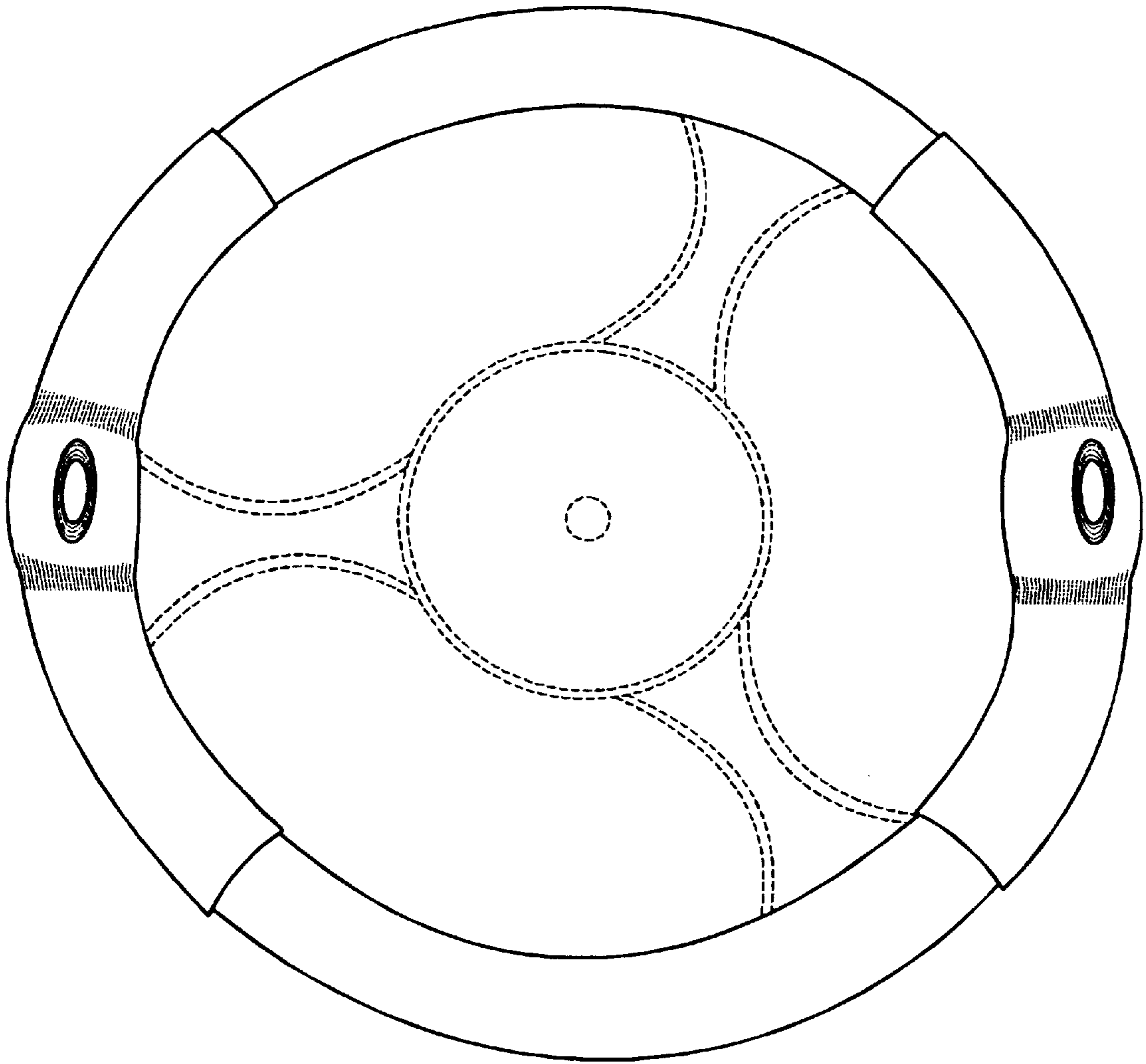


FIG. 2

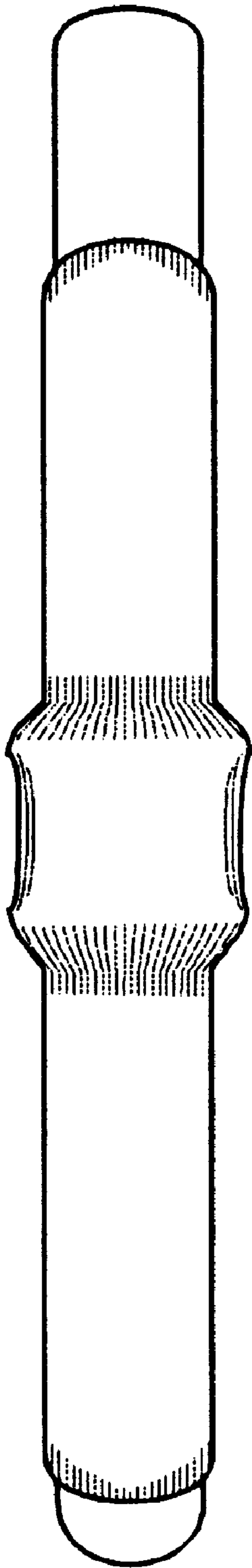


FIG. 3

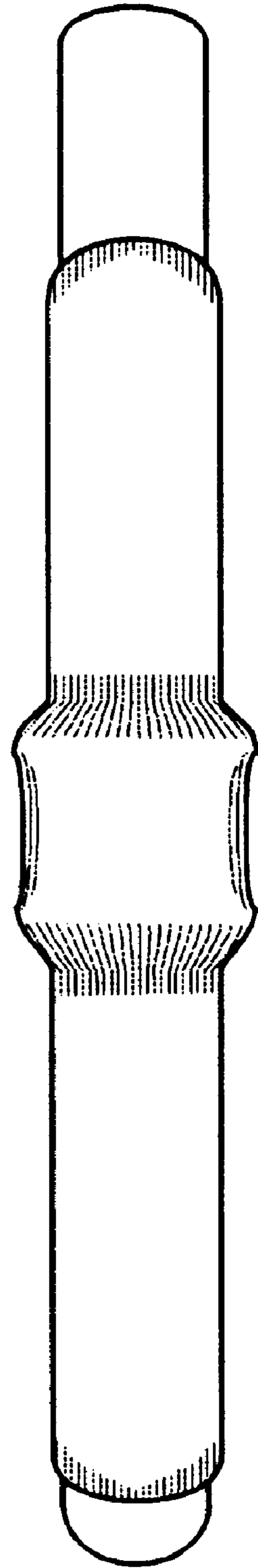


FIG. 4

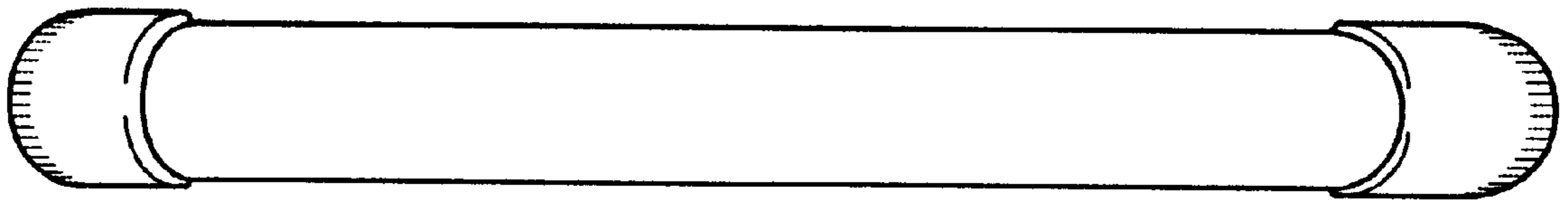


FIG. 5

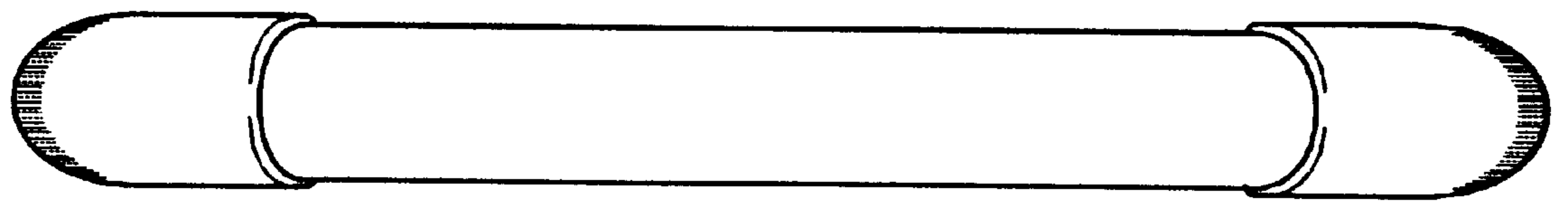


FIG. 6