



US00D429670S

United States Patent [19]

Hoyle, Jr.

[11] **Patent Number: Des. 429,670**

[45] **Date of Patent: ** Aug. 22, 2000**

[54] **PORTION OF A TRUCK COWL HOOD**

[75] Inventor: **Frederick L. Hoyle, Jr.**, Pickerington, Ohio

[73] Assignee: **Reflexxion Automotive Products LLC**, Memphis, Tenn.

[**] Term: **14 Years**

[21] Appl. No.: **29/109,464**

[22] Filed: **Aug. 16, 1999**

[51] **LOC (7) Cl.** **12-16**

[52] **U.S. Cl.** **D12/173**

[58] **Field of Search** D12/173, 90-92; 180/68.6, 69.1, 69.2

[56] **References Cited**

U.S. PATENT DOCUMENTS

- D. 353,124 12/1994 Benningfield D12/173
- D. 385,242 10/1997 Gaubo et al. D12/173

D. 391,909 3/1998 Wittine D12/173

Primary Examiner—Melody N. Brown
Attorney, Agent, or Firm—Gifford, Krass, Groh, Sprinkle, Anderson & Citkowski, P.C.

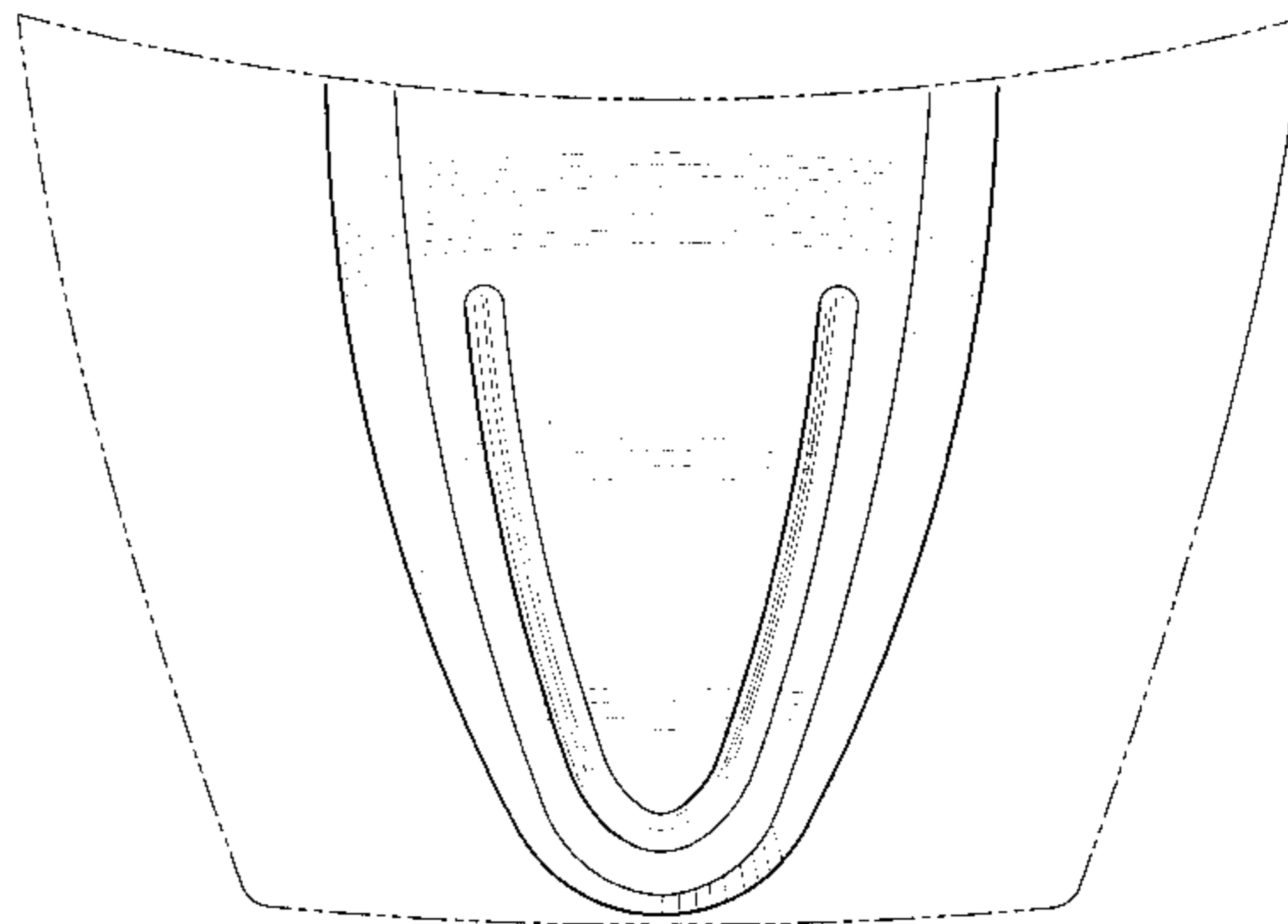
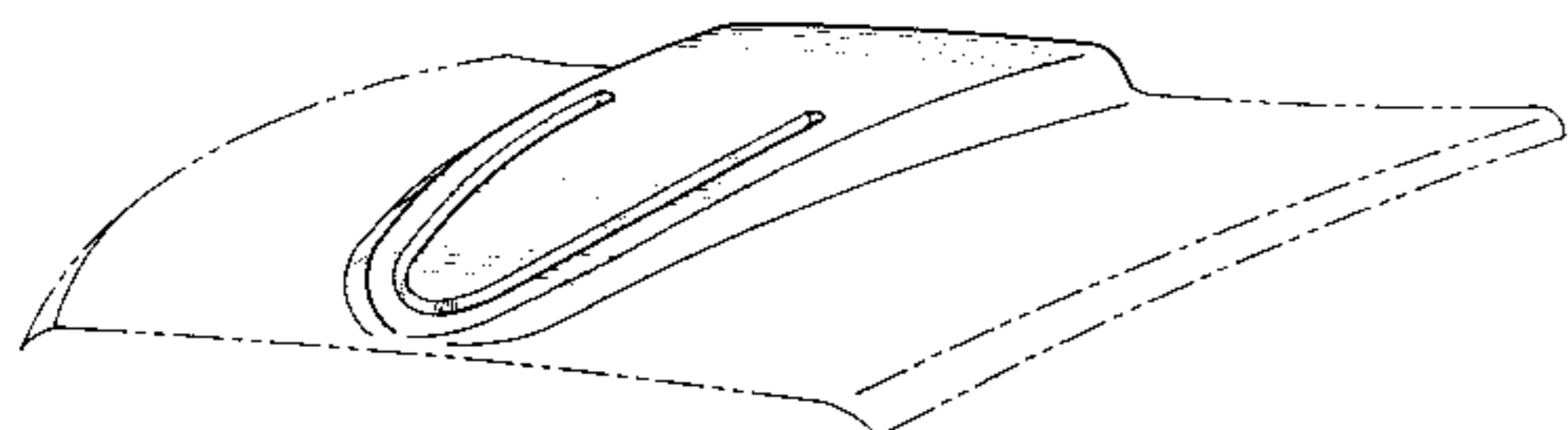
[57] **CLAIM**

I claim the ornamental design for a portion of a truck cowl hood, as shown and described.

DESCRIPTION

FIG. 1 is a perspective view of a portion of a truck cowl hood showing my new design;
FIG. 2 is a top plan view thereof;
FIG. 3 is a front perspective view thereof; and,
FIG. 4 is a right side elevational view thereof, the left side being a mirror image thereof.
The portions of the hood shown in broken lines are for illustrative purposes only and form no part of the claimed design.

1 Claim, 2 Drawing Sheets



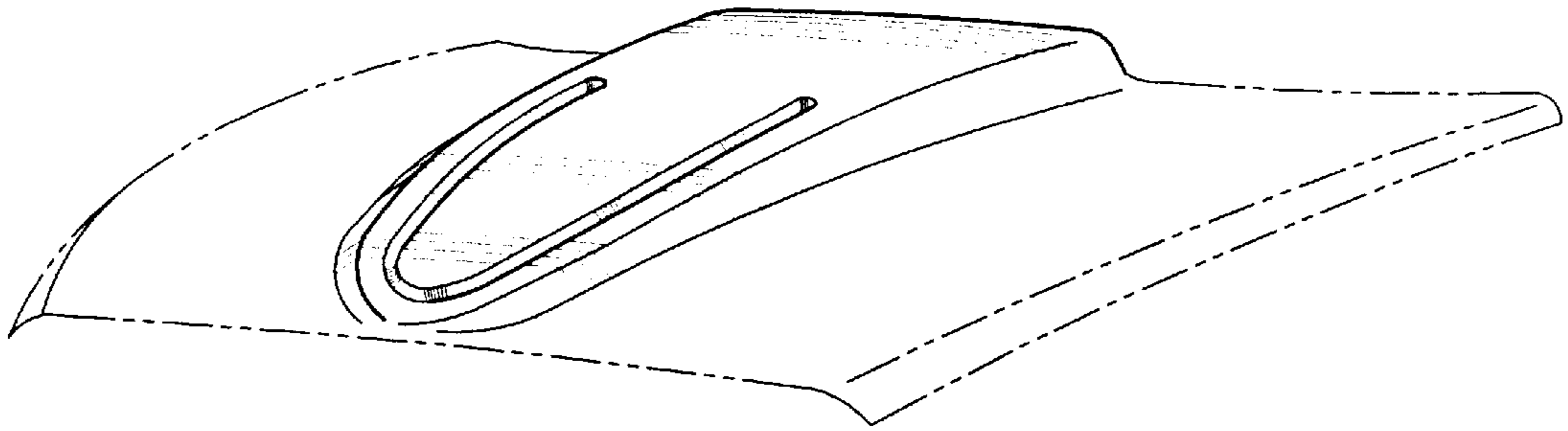


Fig-1

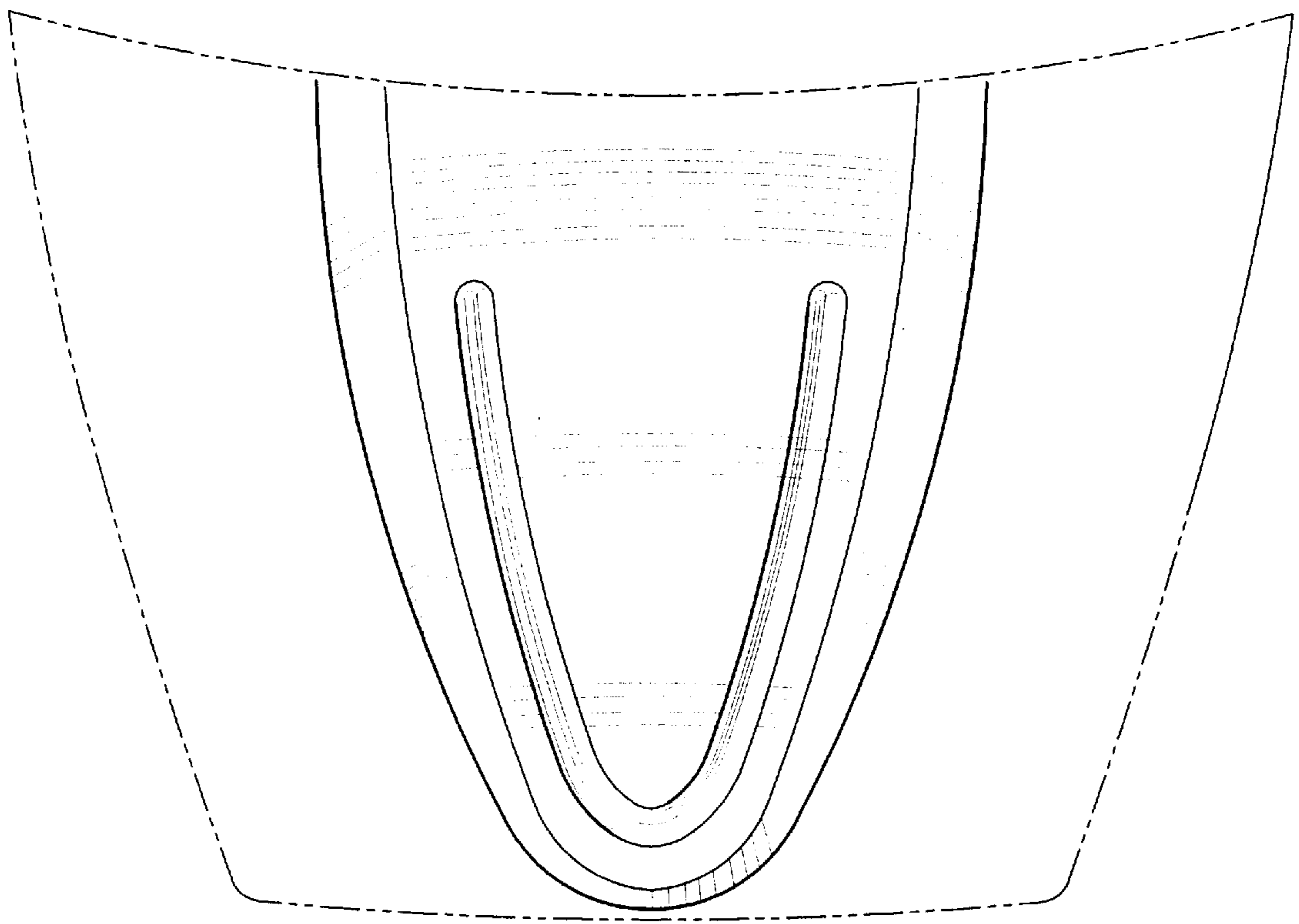


Fig-2

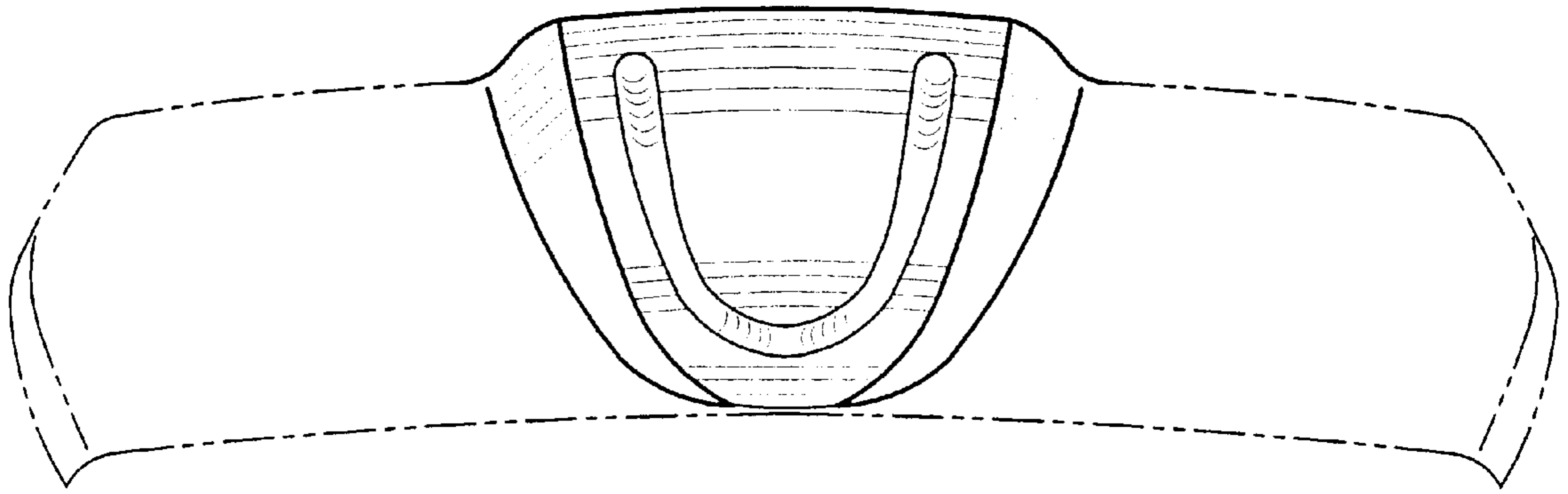


Fig-3

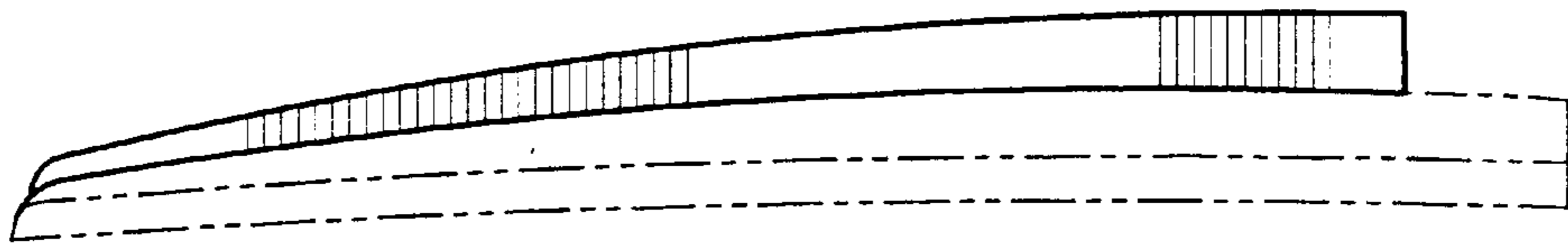


Fig-4