



US00D429669S

United States Patent [19]

Cook et al.

[11] Patent Number: Des. 429,669

[45] Date of Patent: ** Aug. 22, 2000

[54] FRONT BUMPER FOR A TRUCK

[75] Inventors: **Rob A. Cook**, Denton; **Louis D. Heilaneh**, Lewisville, both of Tex.

[73] Assignee: **PACCAR Inc**, Bellevue, Wash.

[**] Term: **14 Years**

[21] Appl. No.: **29/111,513**

[22] Filed: **Sep. 29, 1999**

[51] LOC (7) Cl. **12-16**

[52] U.S. Cl. **D12/169**

[58] Field of Search D12/169, 167, D12/181; 293/112, 115, 120; 296/180.1

[56] **References Cited**

U.S. PATENT DOCUMENTS

D. 307,254	4/1990	Koske et al.	D12/169
D. 316,241	4/1991	Ray	D12/169
D. 335,272	5/1993	Allendorph et al.	D12/173
D. 343,605	1/1994	Meryman	D12/169
D. 364,371	11/1995	Ray et al.	D12/169
D. 367,027	2/1996	Onopa	D12/173
D. 381,946	8/1997	Delashaw et al.	D12/167
D. 391,212	2/1998	Meryman et al.	D12/169
D. 400,144	10/1998	Hellhake et al.	D12/169

D. 403,636	1/1999	Meryman et al.	D12/173
D. 410,604	1/1999	Bangle	D12/169
D. 411,494	6/1999	Meryman et al.	D12/173
D. 417,641	12/1999	Saleen	D12/169
4,972,913	11/1990	Ray et al.	180/69.21
5,499,690	3/1996	Shearn et al.	180/68.4

Primary Examiner—Melody N. Brown
Attorney, Agent, or Firm—Sidley & Austin

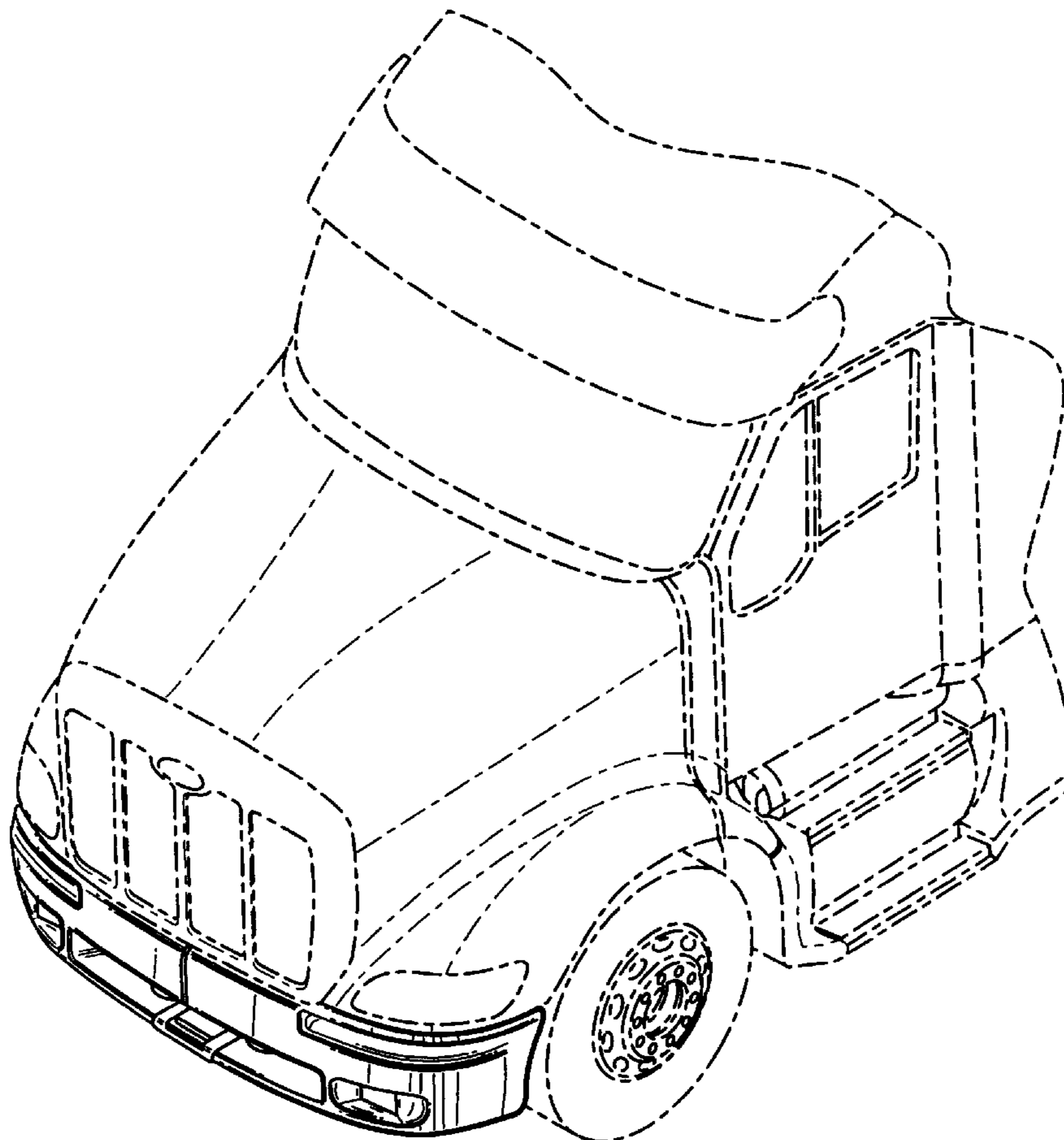
[57] **CLAIM**

The ornamental design for a front bumper for a truck, as shown and described.

DESCRIPTION

FIG. 1 is a perspective view of a front bumper for a truck showing our new design; FIG. 2 is a front view thereof; FIG. 3 is a rear view thereof; FIG. 4 is a right side view thereof; FIG. 5 is a left side view thereof; FIG. 6 is a top view thereof; FIG. 7 is a bottom view thereof; and, FIG. 8 is a reduced perspective view thereof. The broken line showing of a truck, in FIG. 8, depicts environment and is not part of the claimed design.

1 Claim, 5 Drawing Sheets



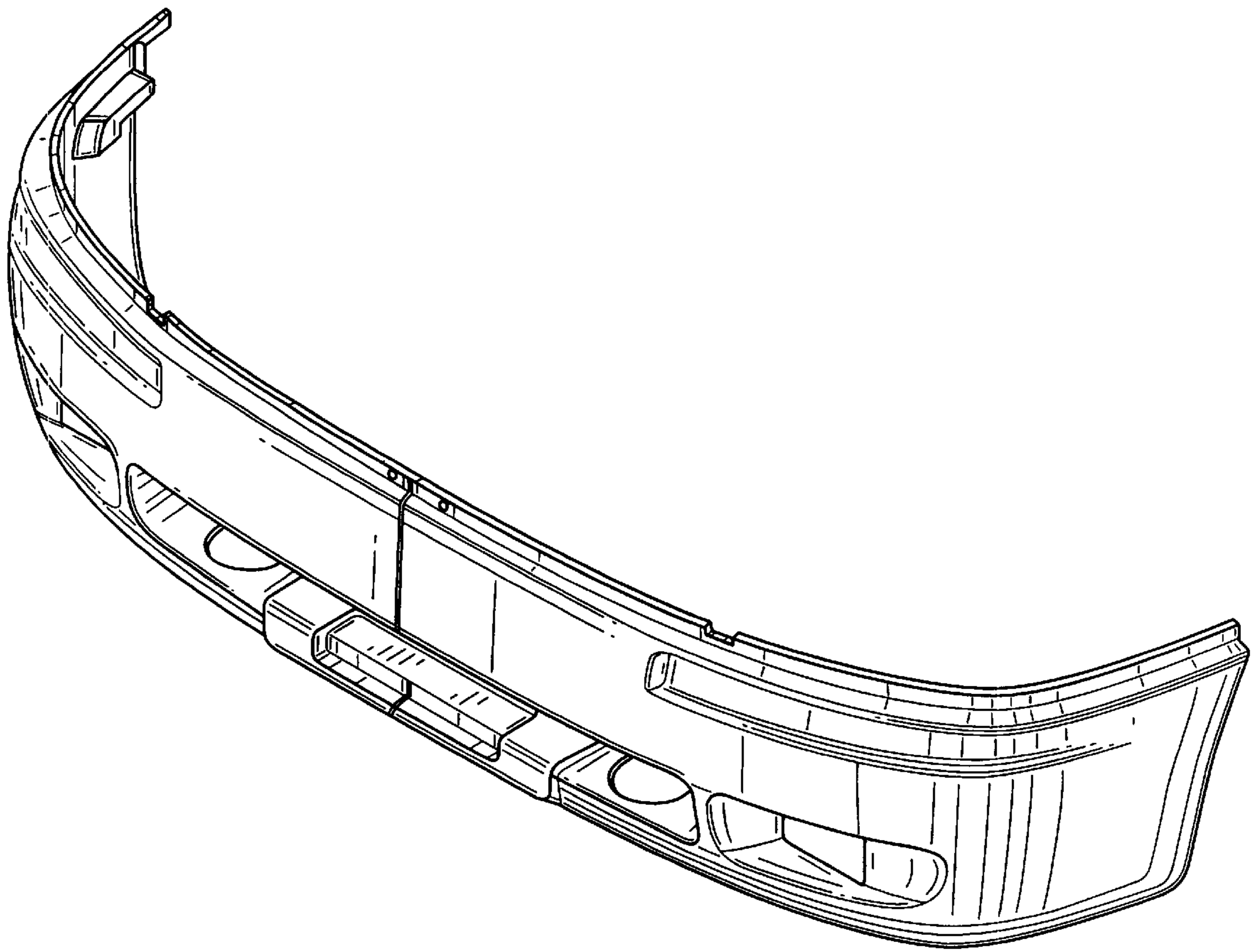


FIG. 1

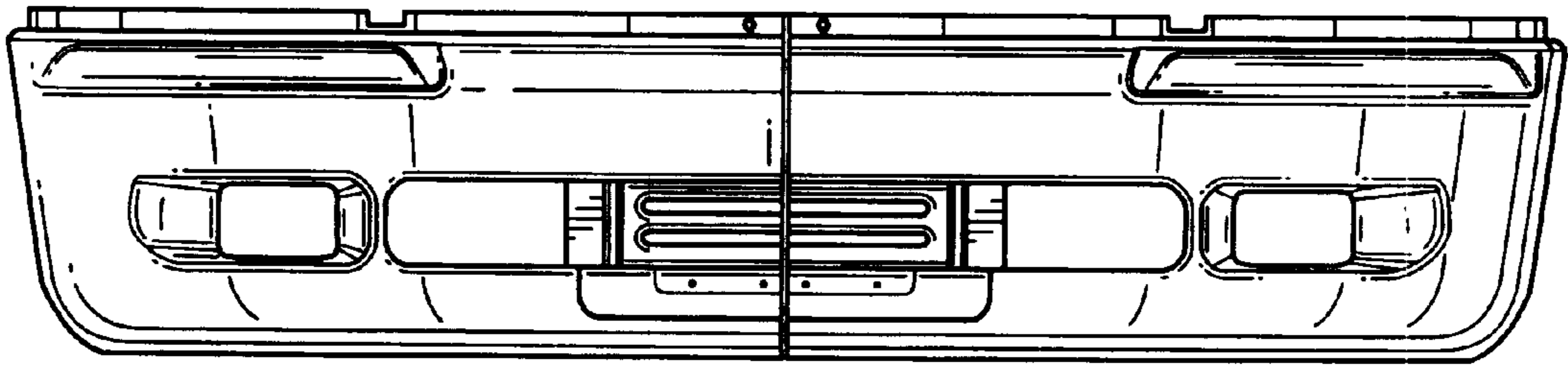


FIG. 2

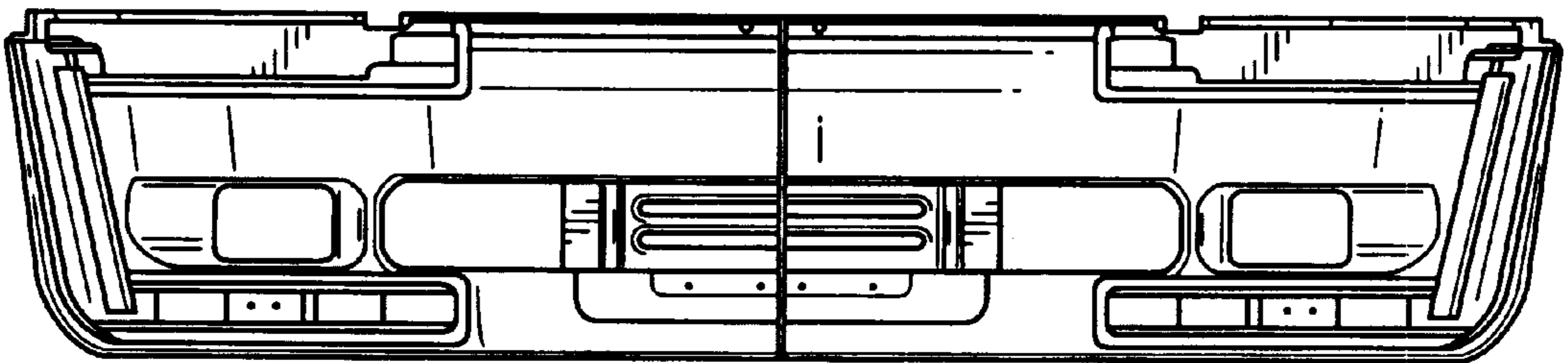


FIG. 3

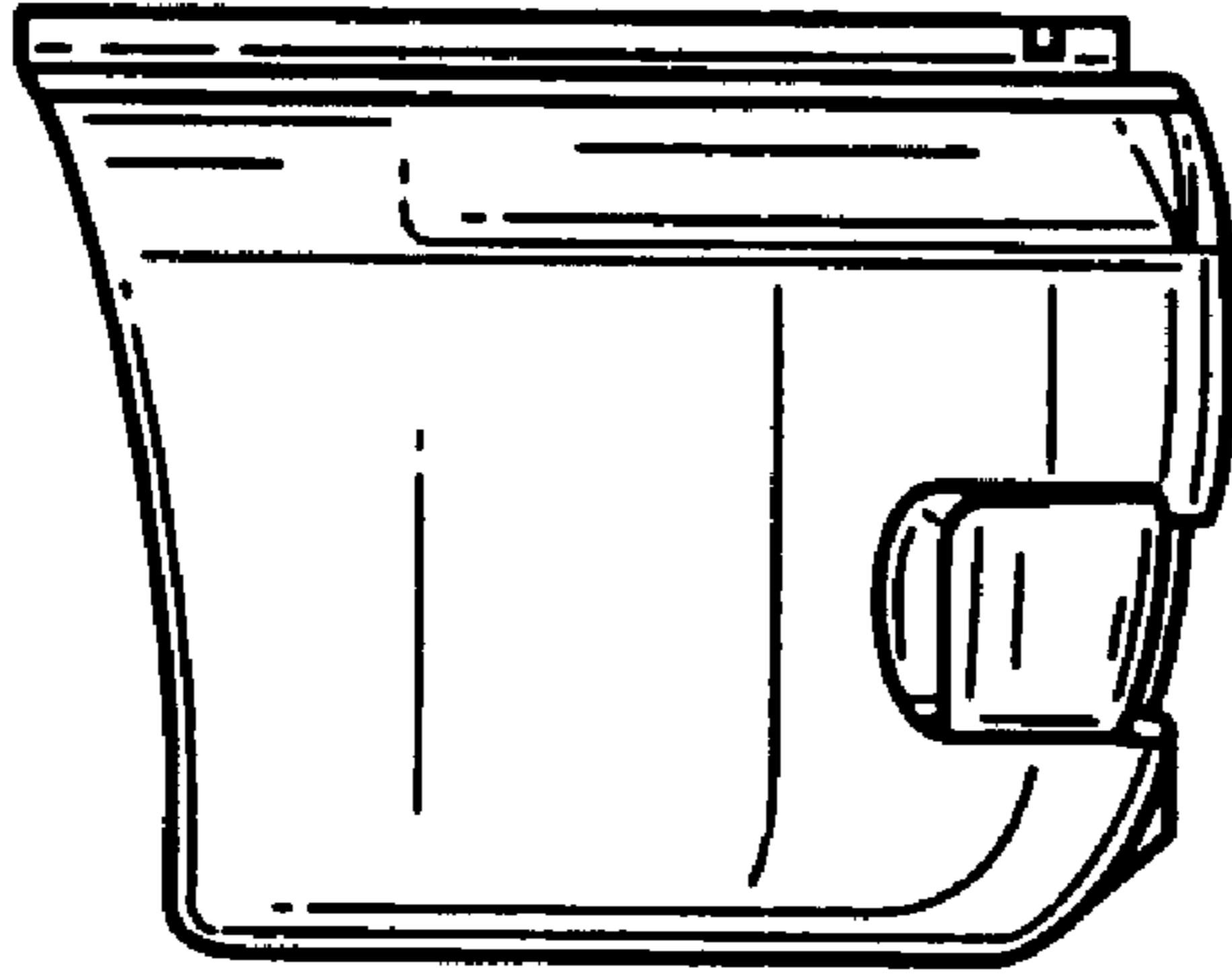


FIG. 4

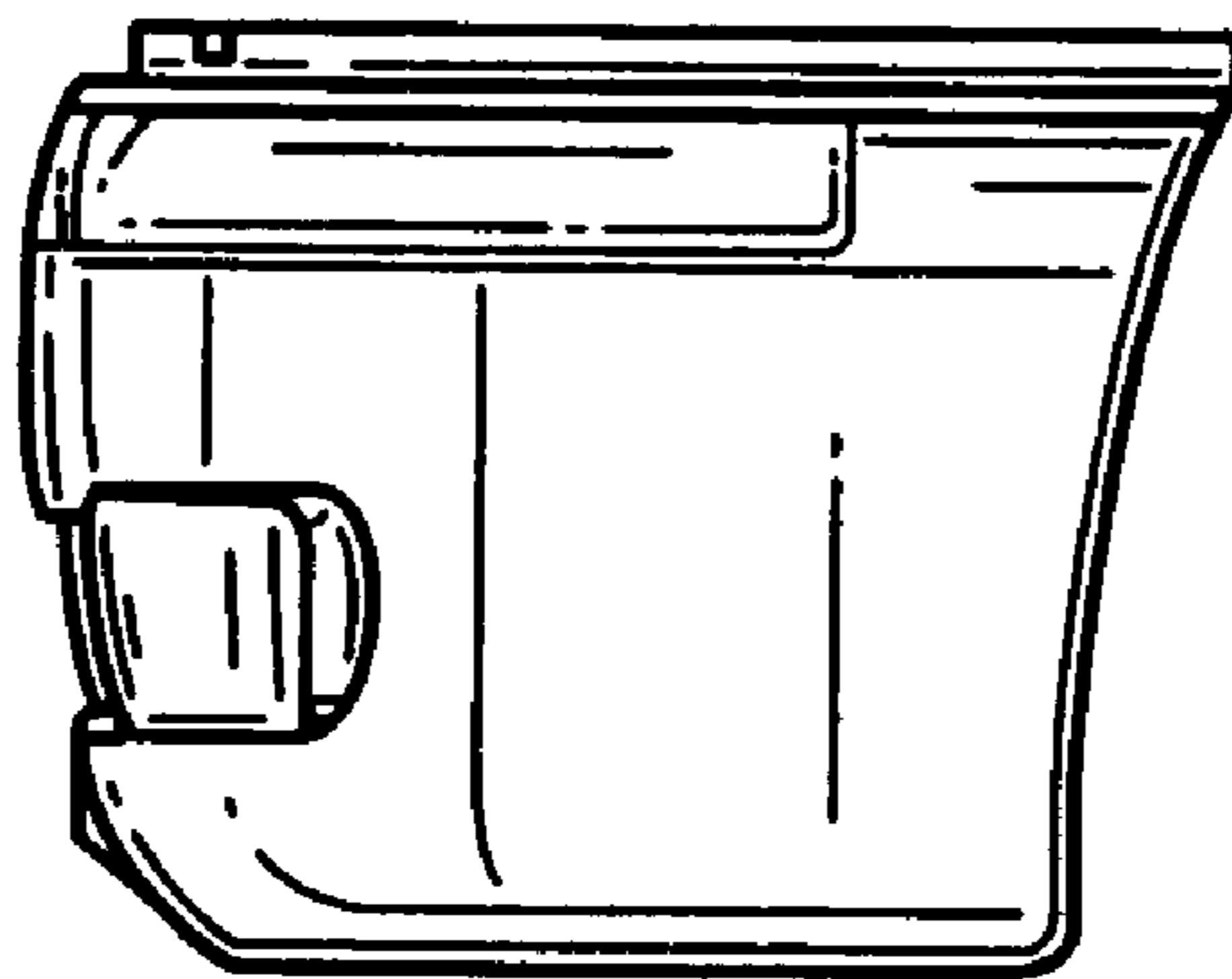


FIG. 5

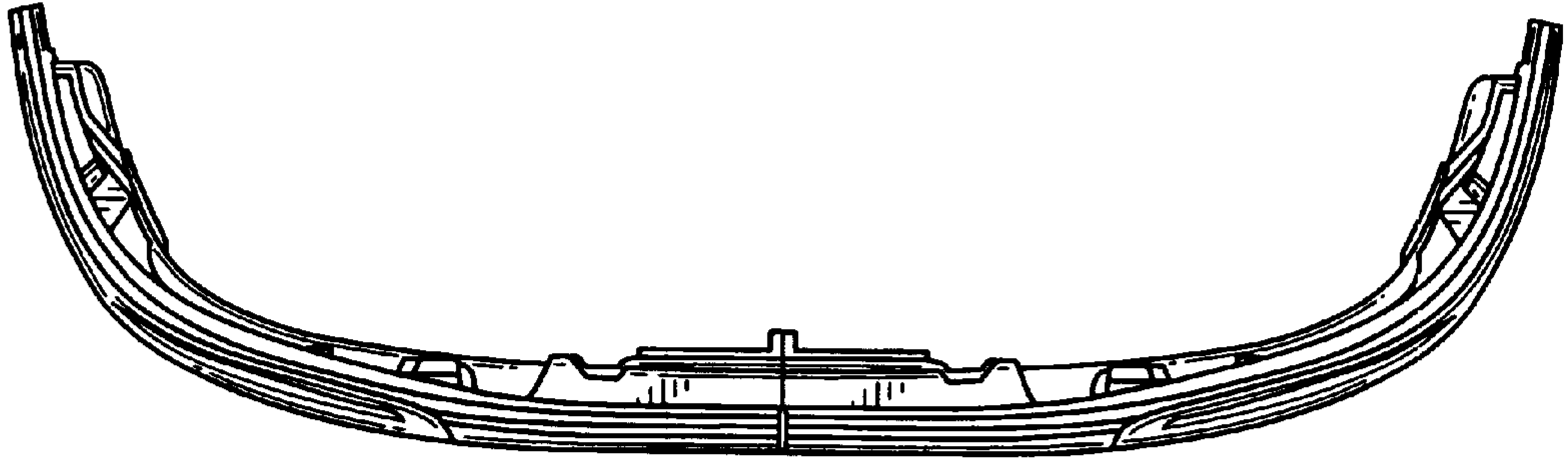


FIG. 6

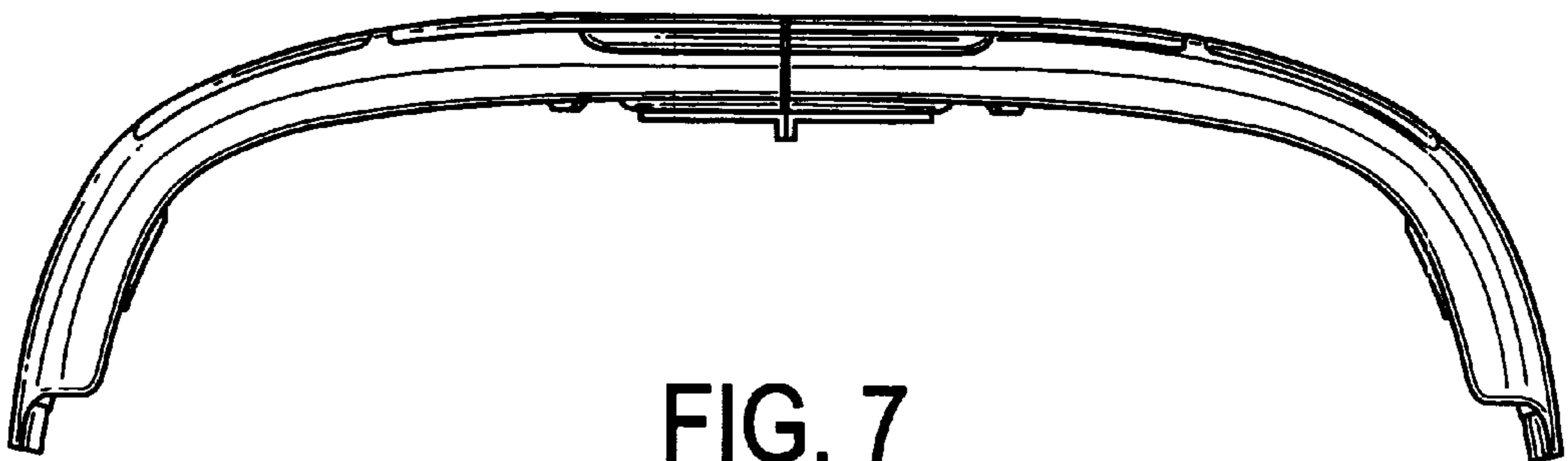


FIG. 7

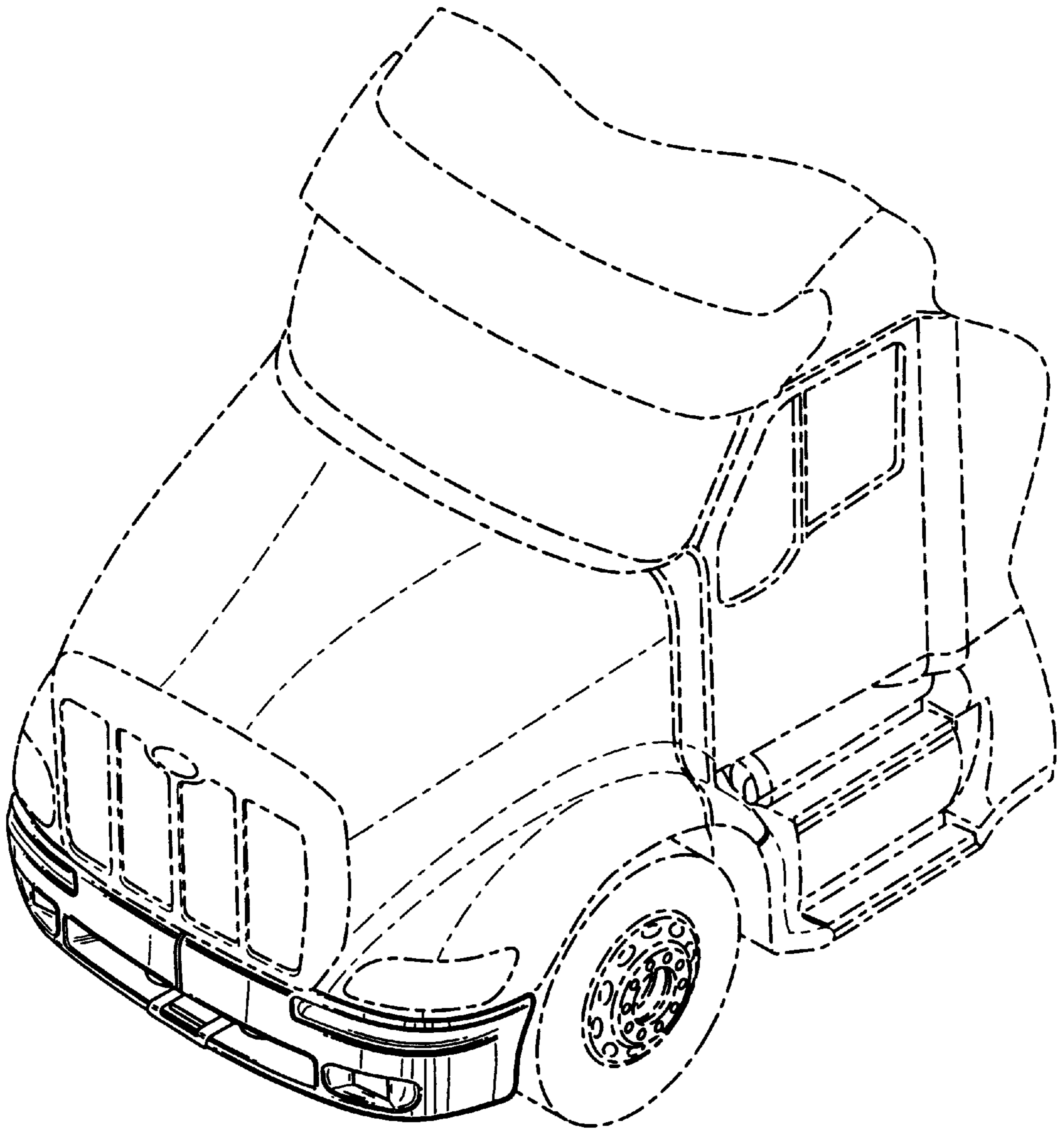


FIG. 8