



US00D429665S

United States Patent [19]
Dickie

[11] **Patent Number: Des. 429,665**

[45] **Date of Patent: ** Aug. 22, 2000**

[54] **WHEELCHAIR SUSPENSION**

[75] Inventor: **Paul C. Dickie**, Clovis, Calif.

[73] Assignee: **Sunrise Medical HHG Inc.**, Longmont, Colo.

[**] Term: **14 Years**

[21] Appl. No.: **29/113,175**

[22] Filed: **Oct. 29, 1999**

[51] **LOC (7) Cl.** **12-12**

[52] **U.S. Cl.** **D12/133**

[58] **Field of Search** D12/133, 131, D12/132; 280/788, 304.1, 250.1, 283, 286

[56] **References Cited**

U.S. PATENT DOCUMENTS

5,851,019	12/1998	Gill et al.	280/286
5,855,387	1/1999	Gill et al.	280/283

Primary Examiner—Kay H. Chin
Attorney, Agent, or Firm—MacMillan, Sobanski & Todd, LLC

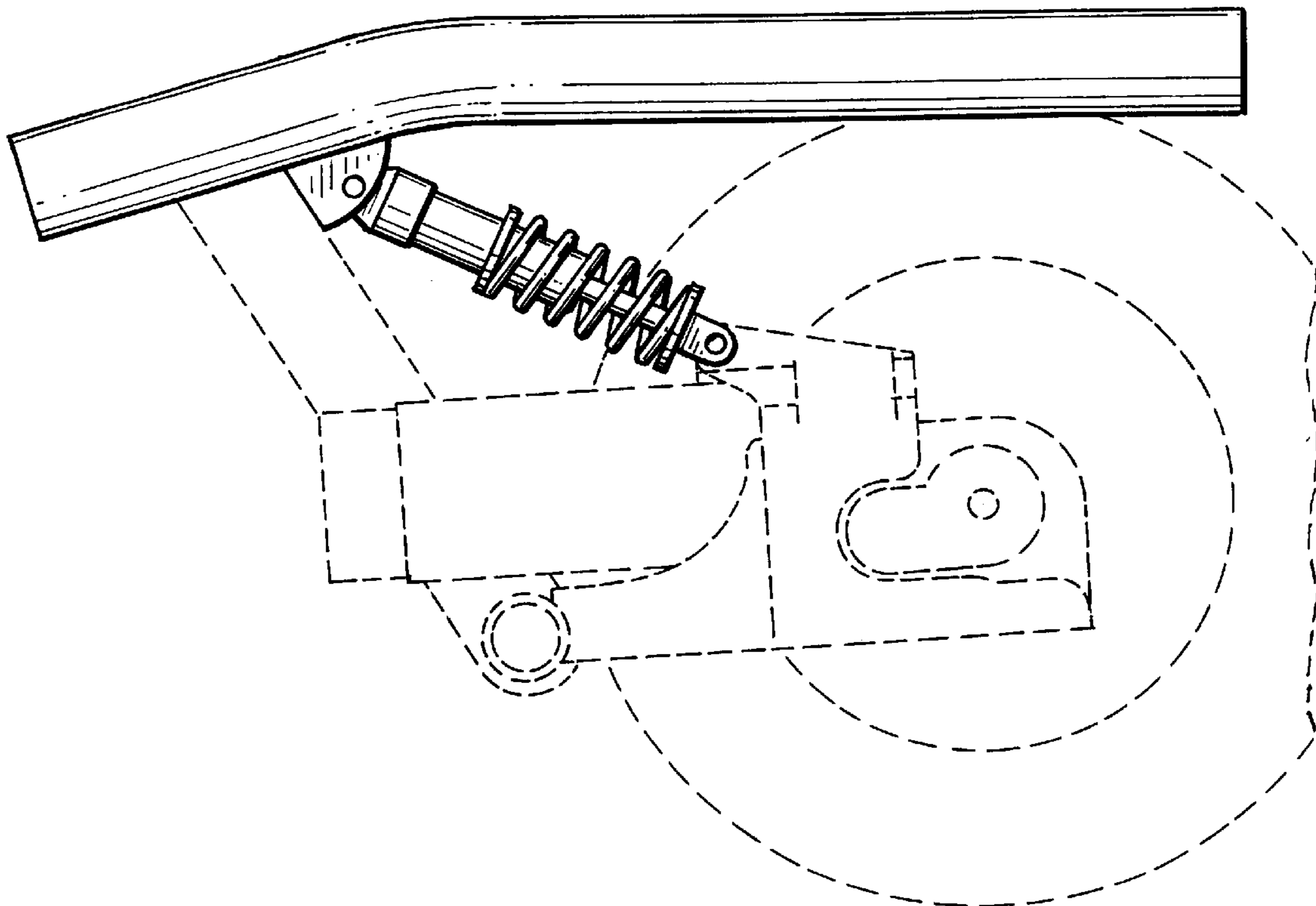
[57] **CLAIM**

The ornamental design for a wheelchair suspension, as shown and described.

DESCRIPTION

FIG. 1 is a left side elevational view of a wheelchair suspension showing our new design; FIG. 2 is a front elevational view thereof; FIG. 3 is a rear elevational view thereof; FIG. 4 is a top plan view thereof; FIG. 5 is a bottom plan view thereof; and, FIG. 6 is a right side elevational view thereof. The broken line in FIG. 1 showing the portions of the frame, the swing-arm, the drive motor, and the drive wheel is for illustrative purposes only and forms no part of the claimed design.

1 Claim, 2 Drawing Sheets



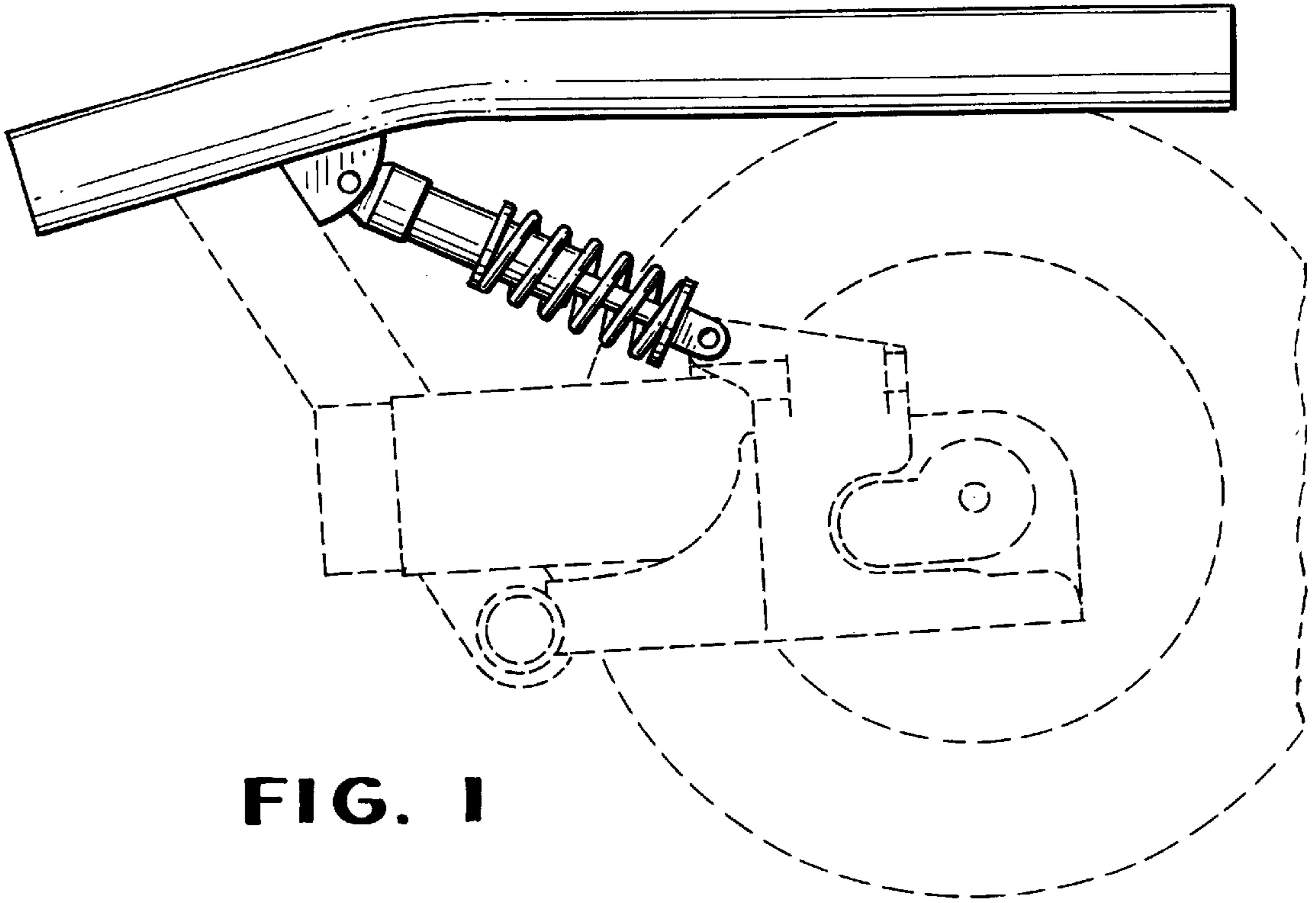


FIG. 1

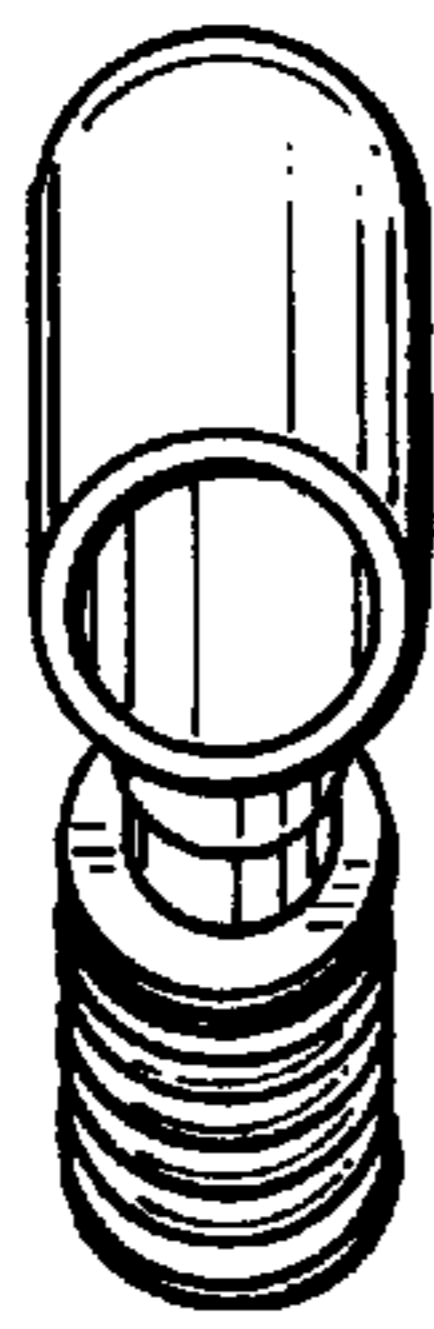


FIG. 2

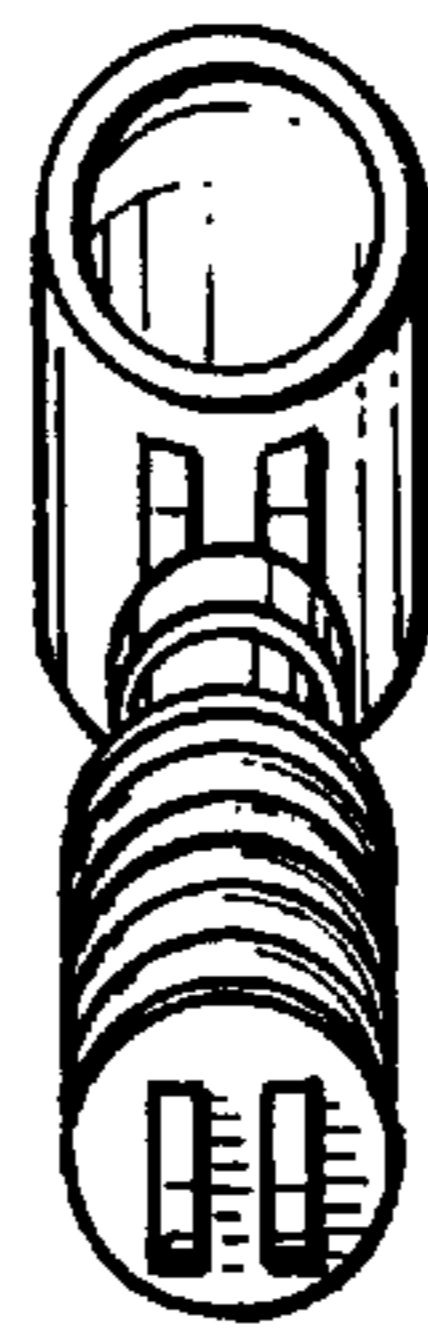


FIG. 3

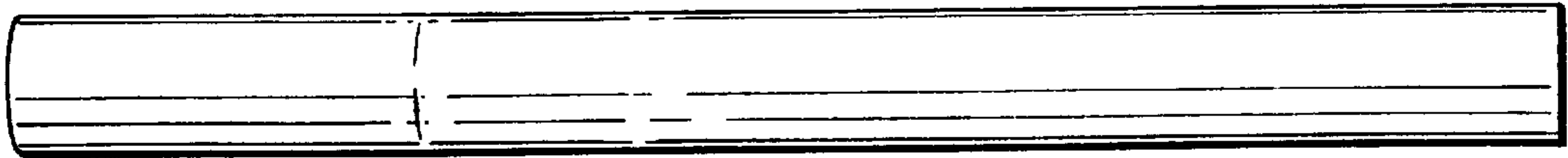


FIG. 4



FIG. 5

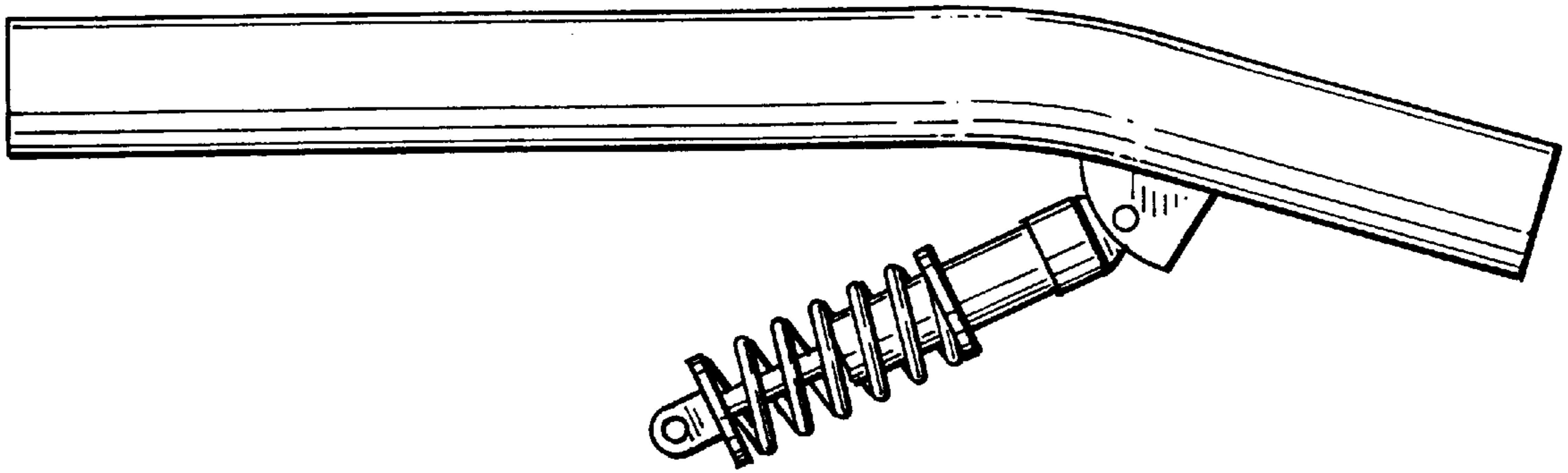


FIG. 6