



US00D429661S

# United States Patent [19]

Yano

[11] Patent Number: **Des. 429,661**

[45] Date of Patent: **\*\* Aug. 22, 2000**

[54] FLOWER POT

[76] Inventor: **Kensuke Yano**, 4-11-14 Yukinoshita, Kamakura, Japan

[\*\*] Term: **14 Years**

[21] Appl. No.: **29/088,511**

[22] Filed: **May 26, 1998**

### [30] Foreign Application Priority Data

Dec. 12, 1997 [JP] Japan ..... 9-77986

[51] LOC (7) Cl. .... **11-02**

[52] U.S. Cl. .... **D11/146**

[58] Field of Search ..... D11/143-148, D11/152; D19/84; 47/65.5, 66.7, 67, 48.5, 79, 80, 39, 40, 44, 41.01, 41.11-41.15; 206/423; 511/60.1; D30/12, 124, 127; D26/9, 10, 22, 11

### [56] References Cited

#### U.S. PATENT DOCUMENTS

D. 262,274 12/1981 Lahr ..... D11/152

D. 337,072 7/1993 Horvath ..... D11/146  
D. 338,426 8/1993 Horvath ..... D11/146  
4,454,684 6/1984 O'Hare ..... 47/48.5 X

*Primary Examiner*—Doris V. Coles  
*Assistant Examiner*—Linda Brooks

### [57] CLAIM

The ornamental design for a flower-pot, as shown and described.

### DESCRIPTION

FIG. 1 is a front view of a flower-pot showing my new design, the rear view being identical;  
FIG. 2 is a side elevation view thereof, the opposite side being identical;  
FIG. 3 is a top plan view thereof;  
FIG. 4 is a bottom view thereof;  
FIG. 5 is a perspective view thereof; and,  
FIG. 6 is an enlarged sectional view taken on line 6—6 of FIG. 2.

**1 Claim, 2 Drawing Sheets**

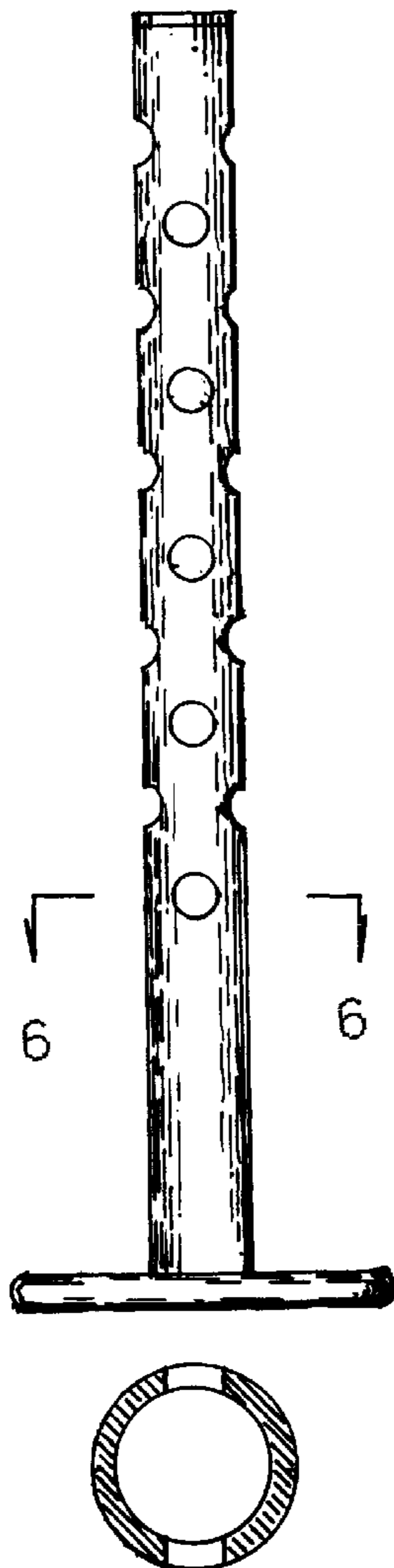


Fig. 1

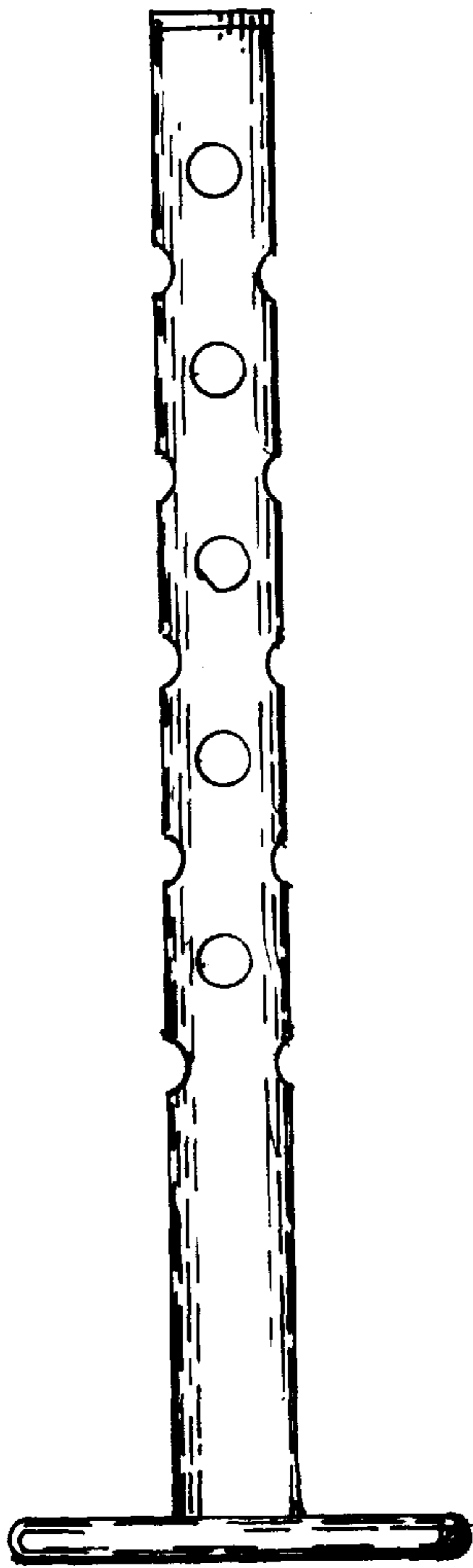


Fig. 2

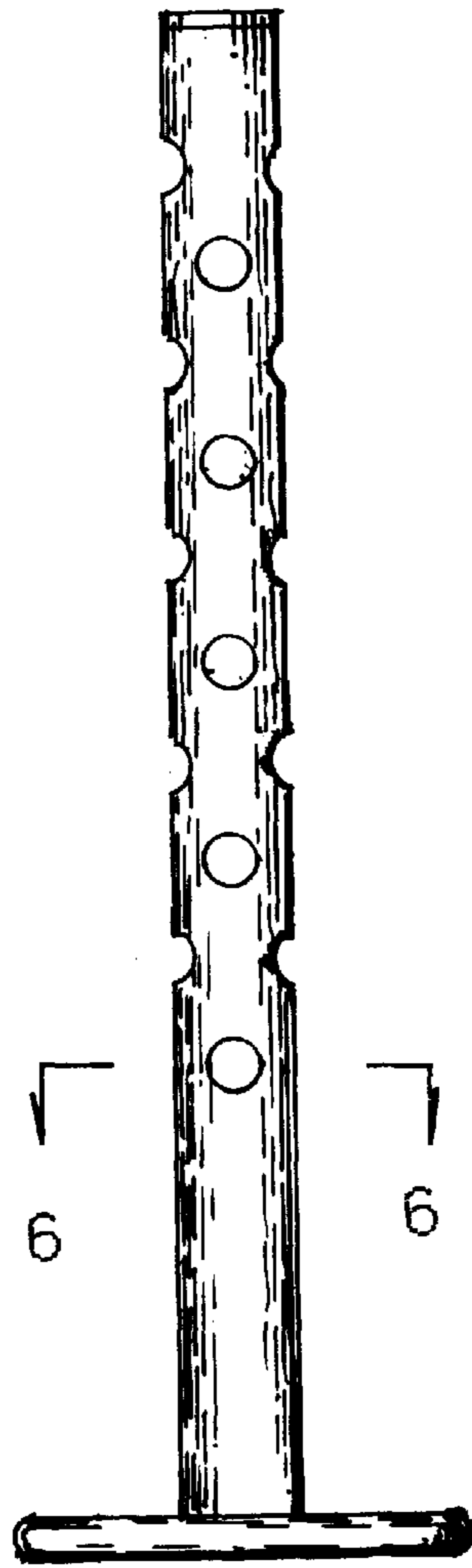


Fig. 3

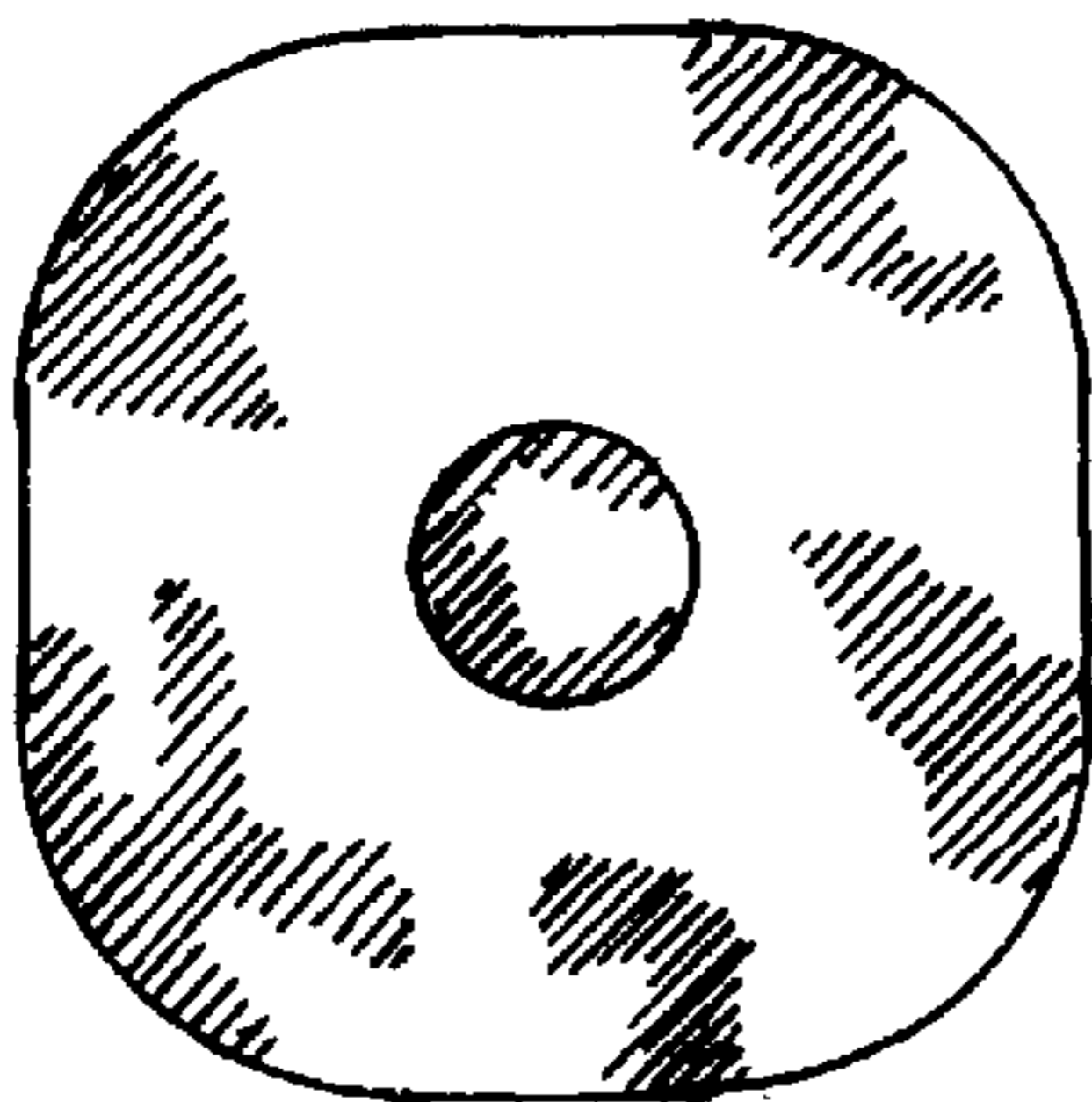


Fig. 4

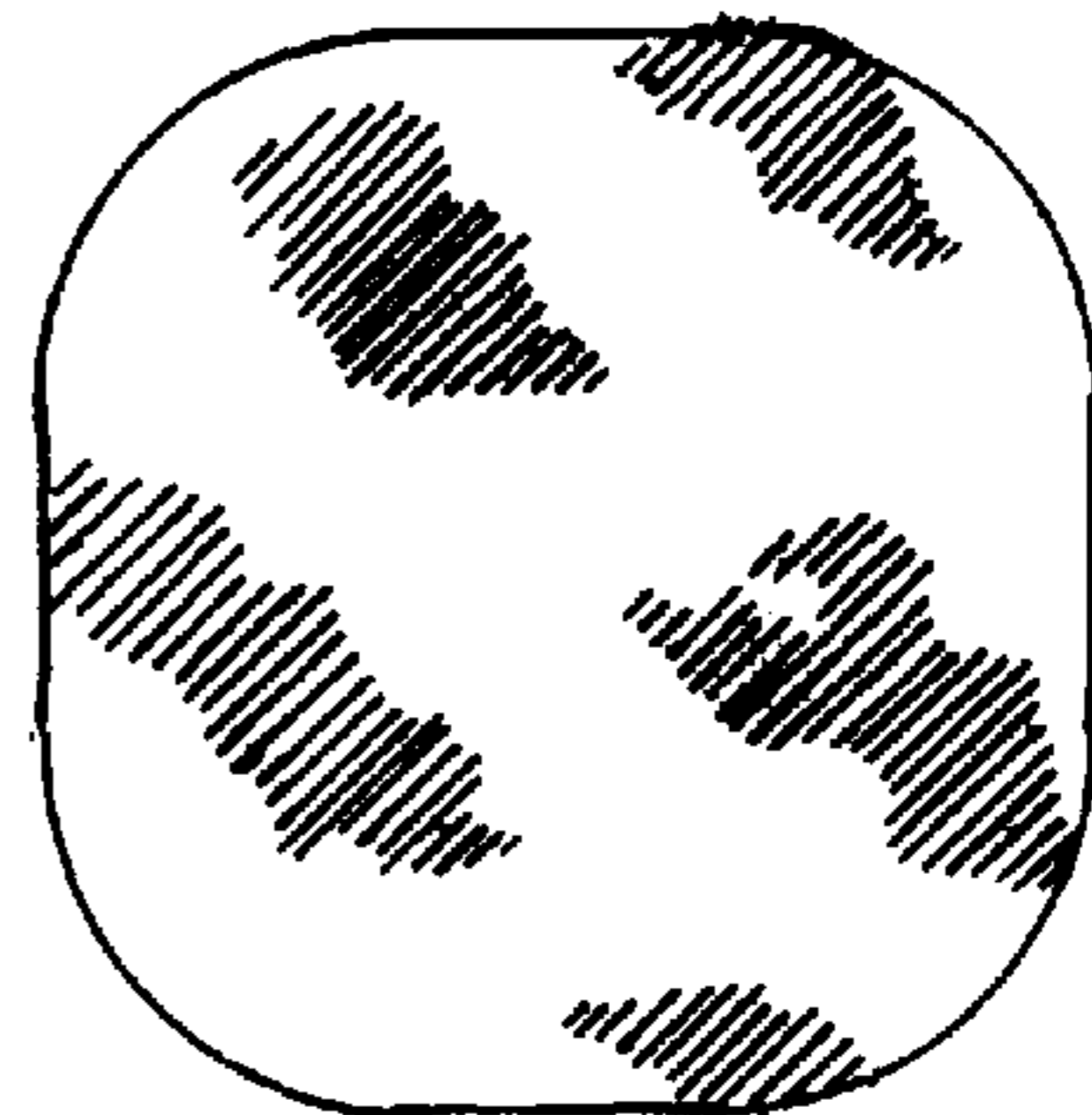


Fig. 5

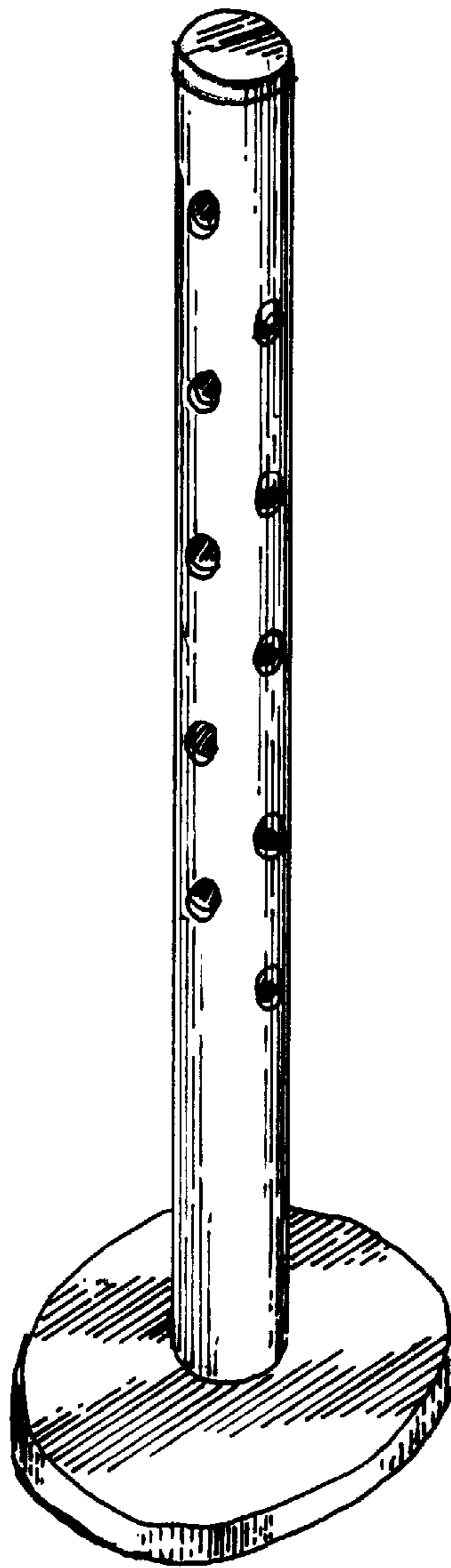


Fig. 6

