



US00D429650S

United States Patent [19]
LePage

[11] **Patent Number: Des. 429,650**

[45] **Date of Patent: ** Aug. 22, 2000**

[54] **COMBINED BOTTLE AND CAP**

[75] Inventor: **Cecile LePage**, New York, N.Y.

[73] Assignee: **Elizabeth Arden Company, Division of Conopco, Inc.**, New York, N.Y.

[**] Term: **14 Years**

[21] Appl. No.: **29/114,178**

[22] Filed: **Nov. 19, 1999**

[51] **LOC (7) Cl.** **09-01**

[52] **U.S. Cl.** **D9/572; D9/544**

[58] **Field of Search** D9/544, 516, 572,
D9/575, 573, 523, 526, 529, 543, 300;
215/382, 400

[56] **References Cited**

U.S. PATENT DOCUMENTS

D. 190,888	7/1961	Atson	D9/572
D. 345,697	4/1994	Dinand	D9/572
D. 354,001	1/1995	Park	D9/544
D. 389,410	1/1998	Lecoule	D9/544
D. 389,742	1/1998	Toleman	D9/523

OTHER PUBLICATIONS

Drug & cosmetic Industry, Apr. 1978, p. 43, bottle, far left.
Drug & Cosmetic Industry, Oct., 1980, p. 126, "Slice of Lime" bottle caps.

Parfums Creatifs by Avon, brochure received Sep., 1994, p. 10, "C est moi!" perfume bottle.

Primary Examiner—Lucy Lieberman

Attorney, Agent, or Firm—Milton L. Honig

[57] **CLAIM**

The ornamental design for a combined bottle and cap, as shown and described.

DESCRIPTION

FIG. 1 is a perspective of a combined bottle and cap showing my new design;

FIG. 2 is a left side elevational view;

FIG. 3 is a right side elevational view;

FIG. 4 is a front elevational view;

FIG. 5 is a rear elevational view;

FIG. 6 is a top plan view; and,

FIG. 7 is a bottom plan view.

1 Claim, 2 Drawing Sheets

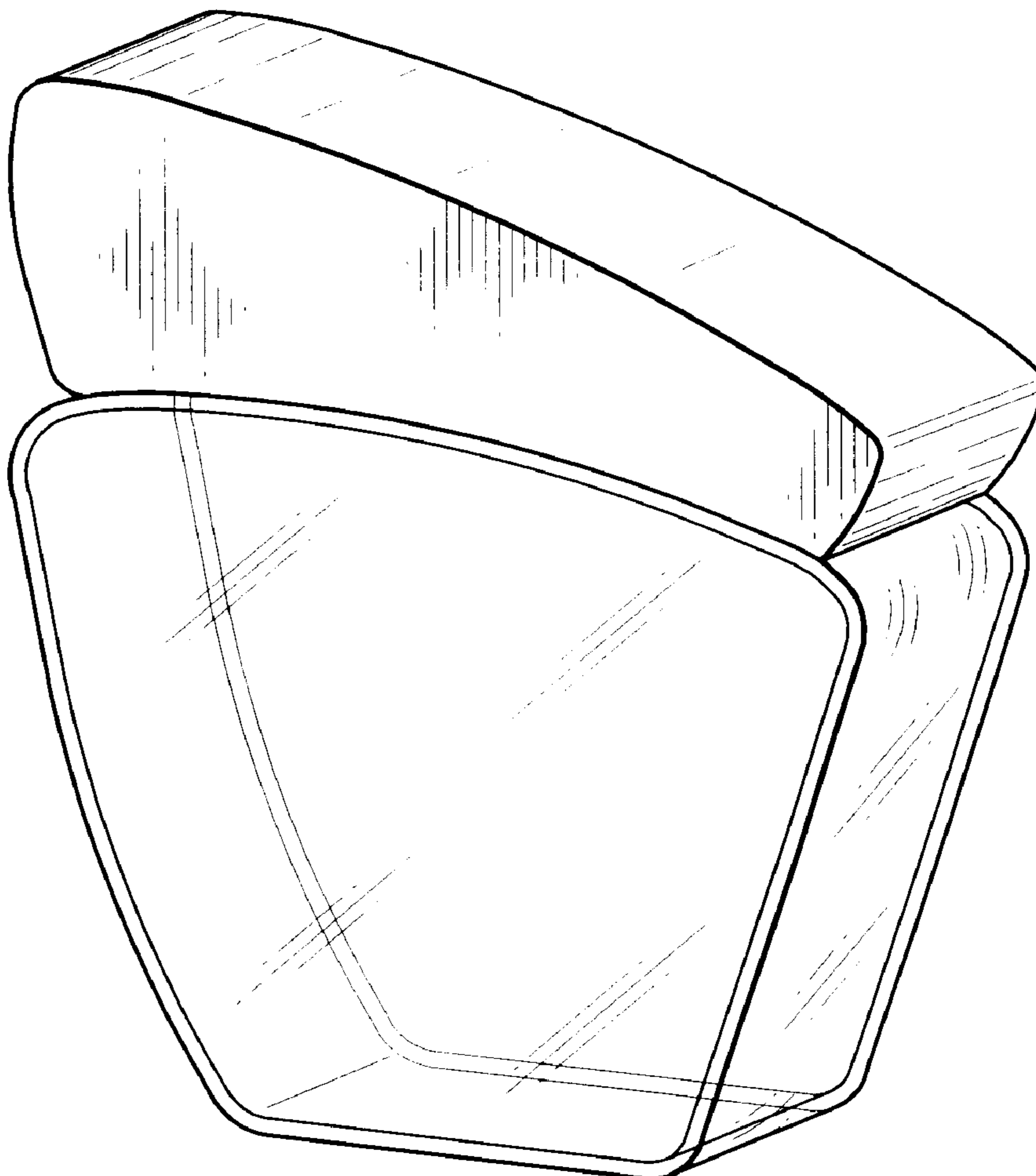


FIG. 3

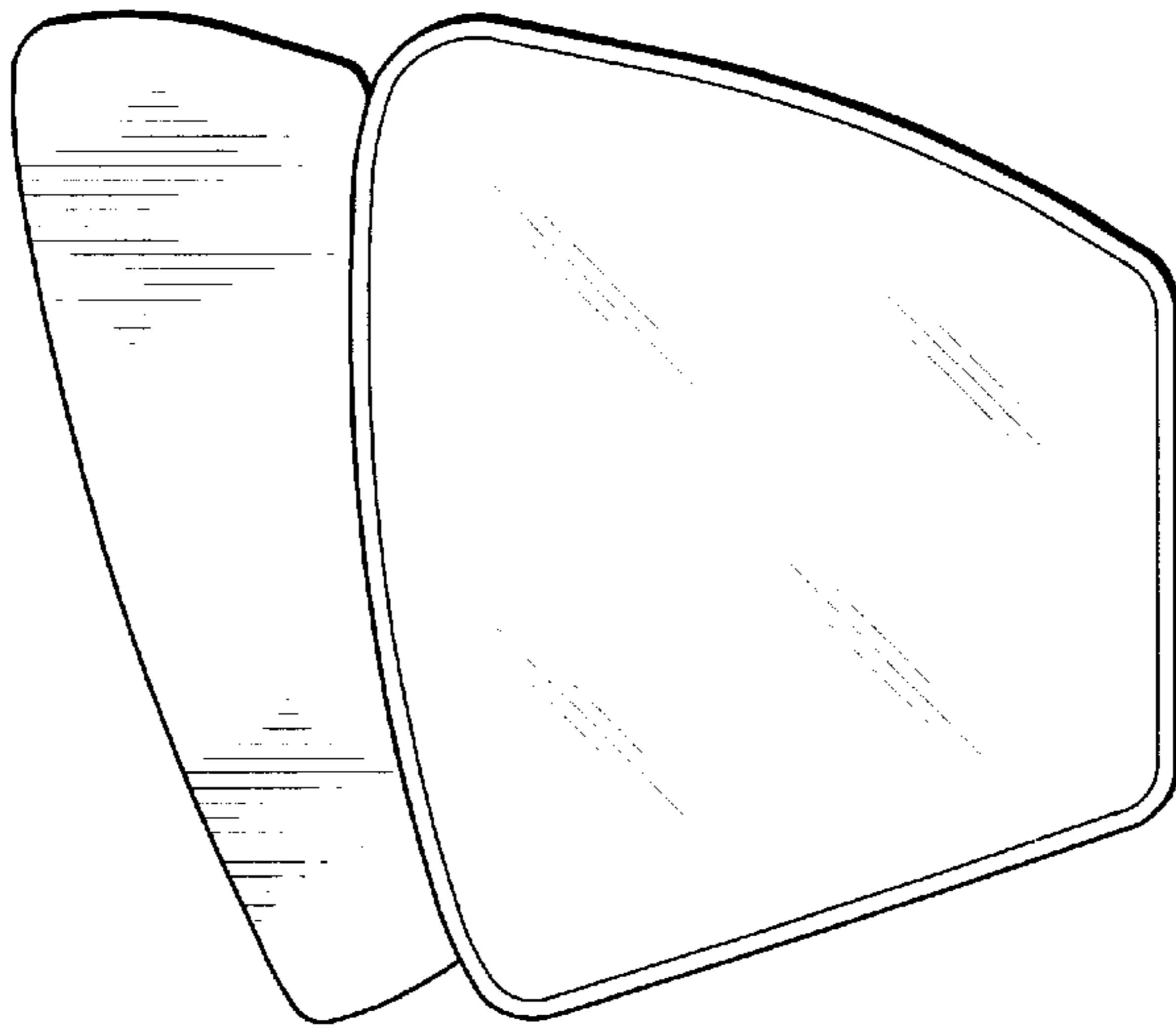


FIG. 2

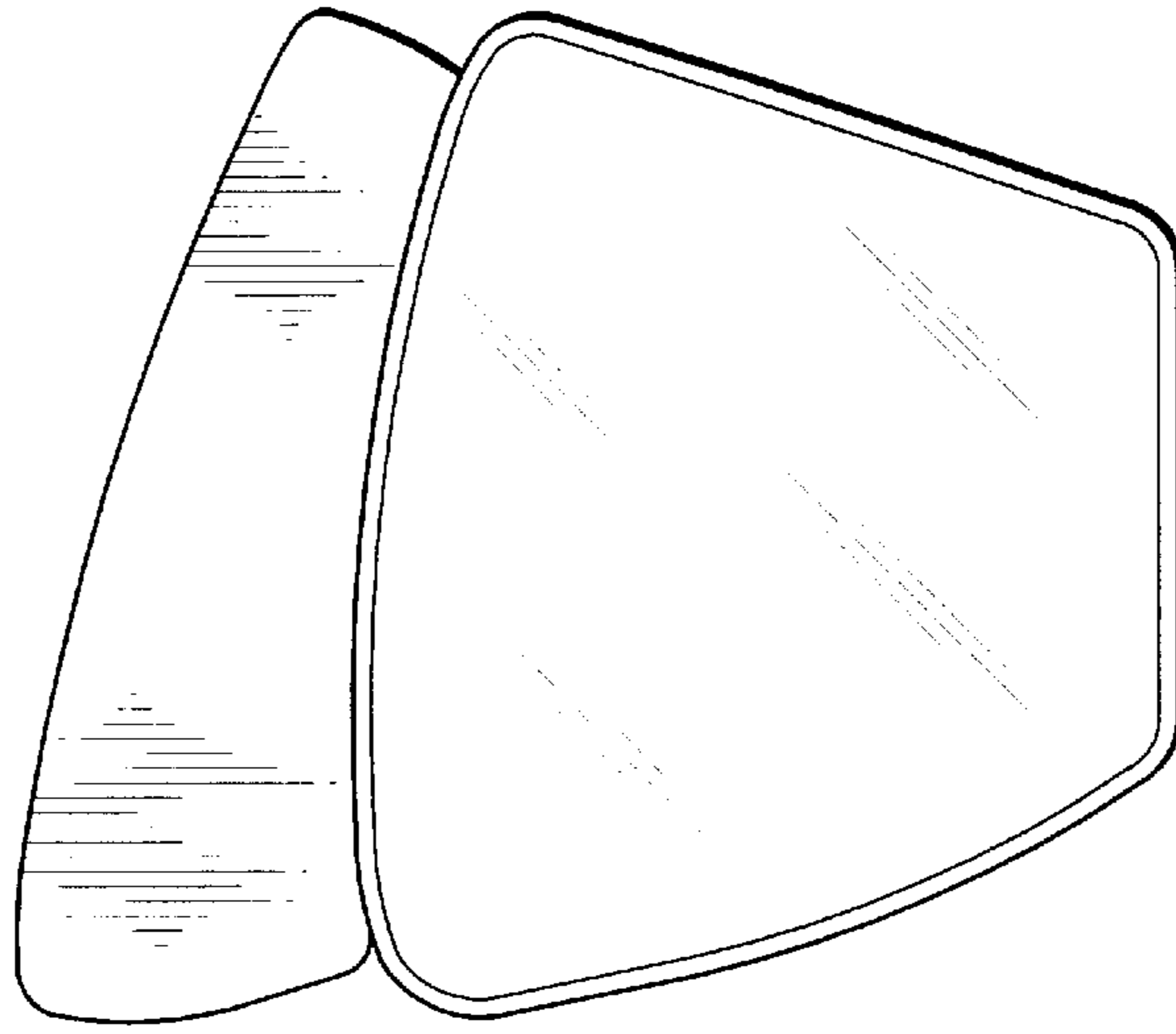


FIG. 1

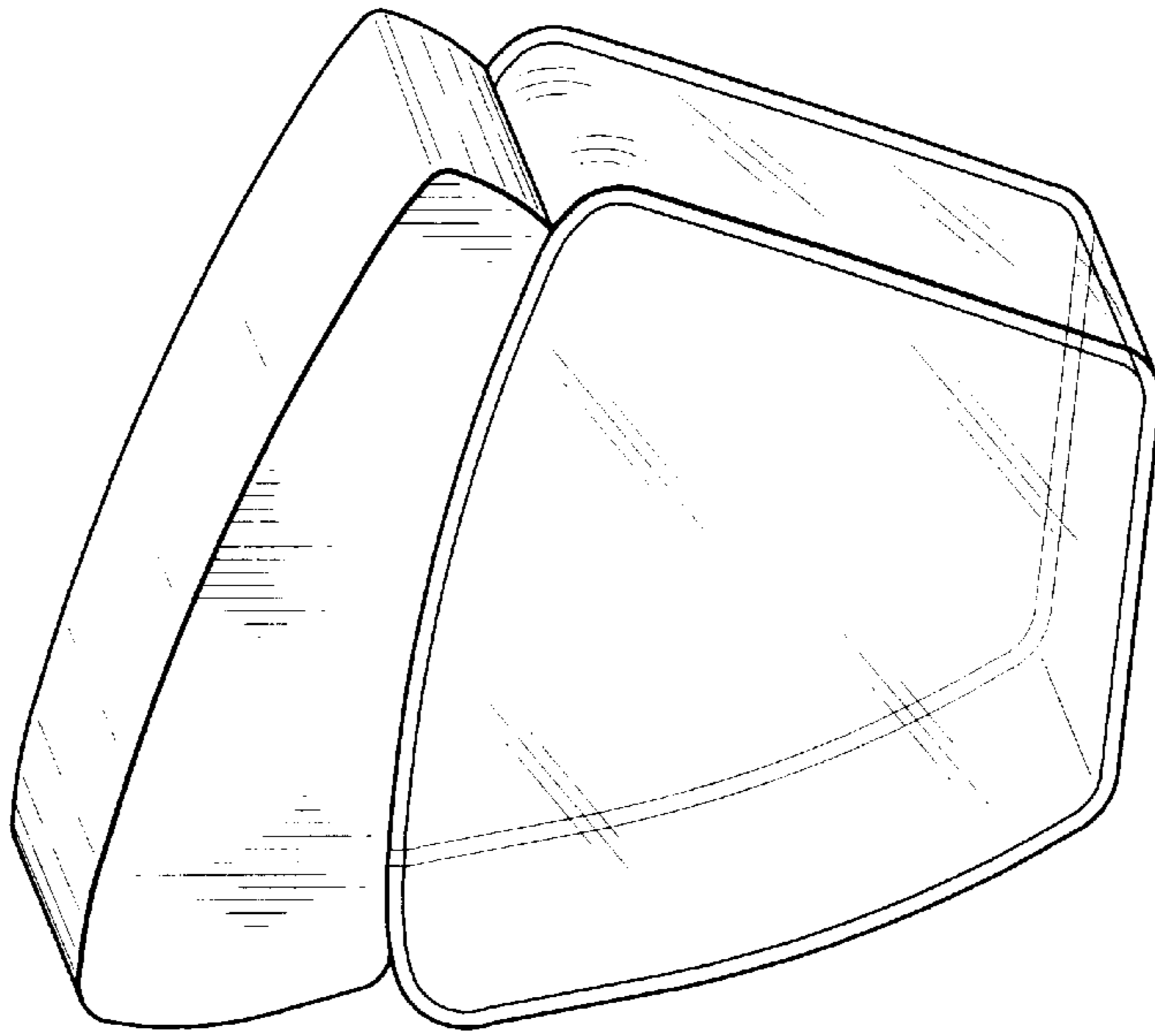


FIG. 4

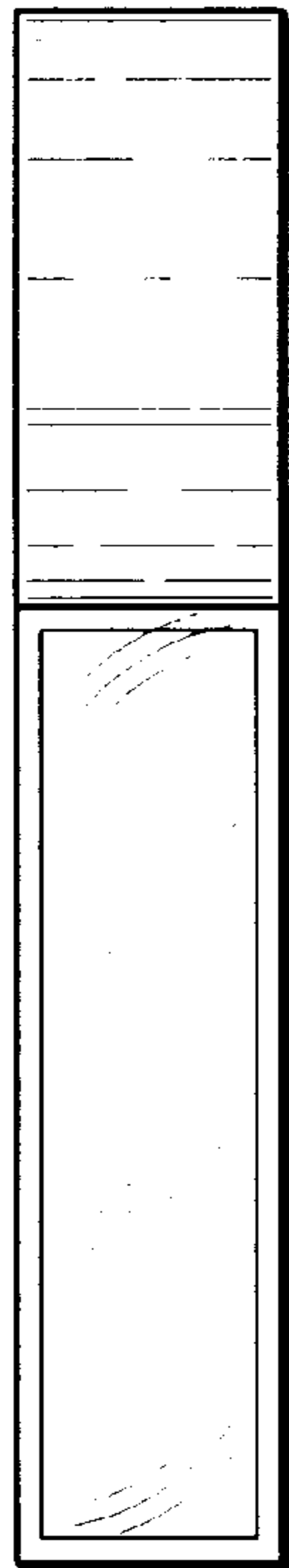


FIG. 5

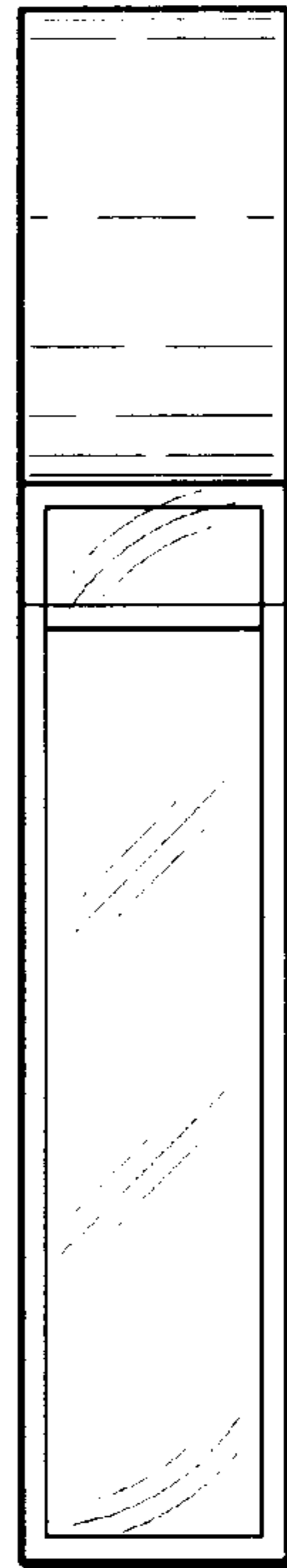


FIG. 7

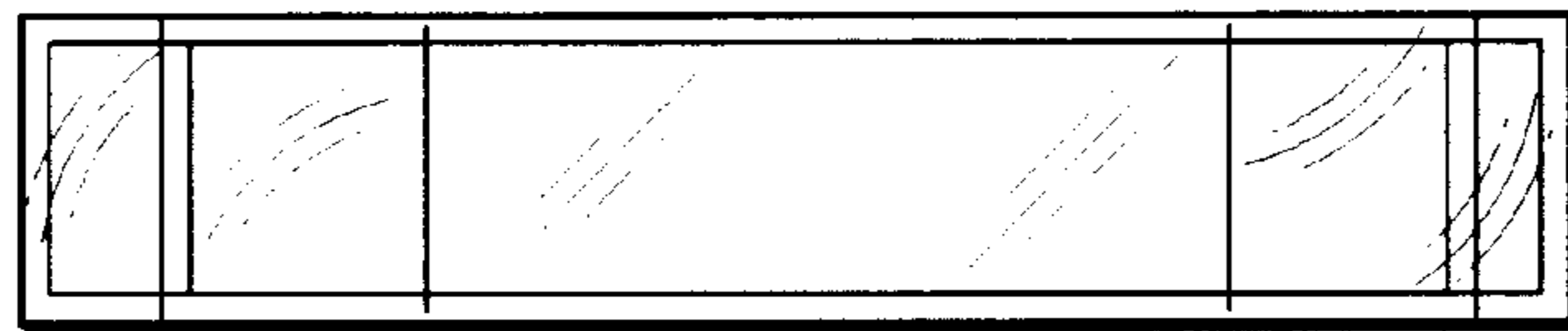


FIG. 6

