



US00D429637S

United States Patent [19]

[11] Patent Number: **Des. 429,637**

Kumakura et al.

[45] Date of Patent: **** Aug. 22, 2000**

[54] **CONTAINER FOR DRY BATTERY**
[75] Inventors: **Katsuhiko Kumakura**, Kyoto; **Tadashi Ono**, Osaka, both of Japan

2,828,006 3/1958 Simpson 206/761
3,220,543 11/1965 McCord et al. 206/461 X
4,696,402 9/1987 Harmon et al. 206/761
5,029,705 7/1991 Schidt et al. 206/705
5,735,404 4/1998 Kumakura et al. 206/705 X
5,871,100 2/1999 Ward 206/705

[73] Assignee: **Matsushita Electric Industrial, Co., Ltd.**, Japan

[**] Term: **14 Years**

[21] Appl. No.: **29/109,958**

[22] Filed: **Aug. 26, 1999**

[30] **Foreign Application Priority Data**

Mar. 3, 1999 [JP] Japan 11-5455

[51] **LOC (7) Cl.** **09-07**

[52] **U.S. Cl.** **D9/415; D9/418**

[58] **Field of Search** D9/418, 415, 414, D9/431, 337, 338, 416, 417; 206/461-471, 703, 704, 705, 806, 756, 761-765; D7/401.1, 590, 589; 229/122, 122.1; 221/305

[56] **References Cited**

U.S. PATENT DOCUMENTS

D. 249,639 9/1978 Hogg et al. D9/415
D. 321,134 10/1991 Toinet D9/415
D. 327,014 6/1992 Hellere et al. D9/415
D. 333,781 3/1993 Kobel D9/416 X
D. 420,579 2/2000 Nash et al. D9/415
2,030,546 2/1936 Sheffer 206/761

FOREIGN PATENT DOCUMENTS

60-162365 10/1985 Japan .

Primary Examiner—Prabhakar Deshmukh
Attorney, Agent, or Firm—SAIDMAN DesignLaw Group

[57] **CLAIM**

The ornamental design for a container for dry battery, as shown and described.

DESCRIPTION

FIG. 1 is a perspective view of the top, front and right side of a container for dry battery showing our new design; FIG. 2 is a front view thereof; FIG. 3 is a right side view thereof; FIG. 4 is a top plan view thereof; FIG. 5 is a bottom view thereof; FIG. 6 is a left side view thereof; FIG. 7 is a rear view thereof; and, FIG. 8 is a perspective reference view of the usage thereof. The broken line showing of batteries is for illustrative purpose only and forms no part of the claimed design.

1 Claim, 5 Drawing Sheets

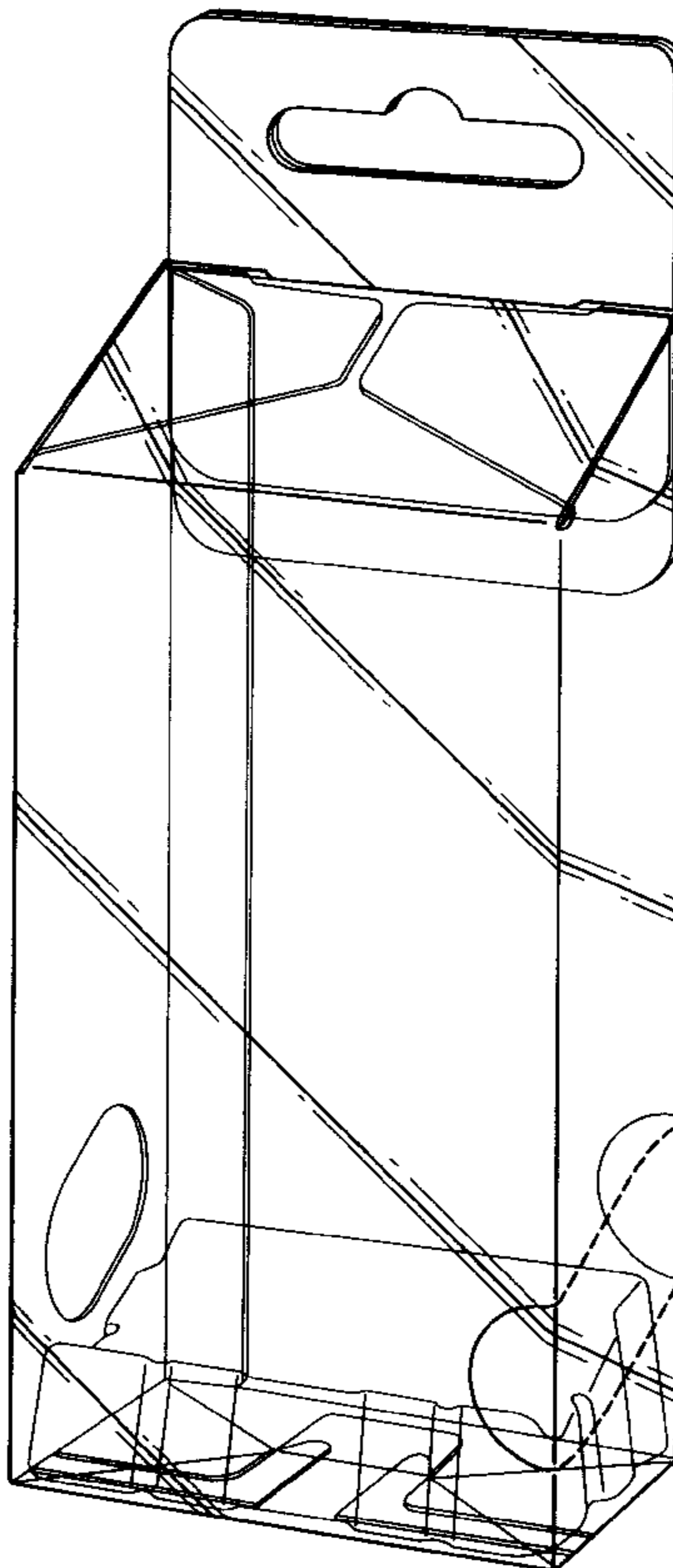


FIG. 1

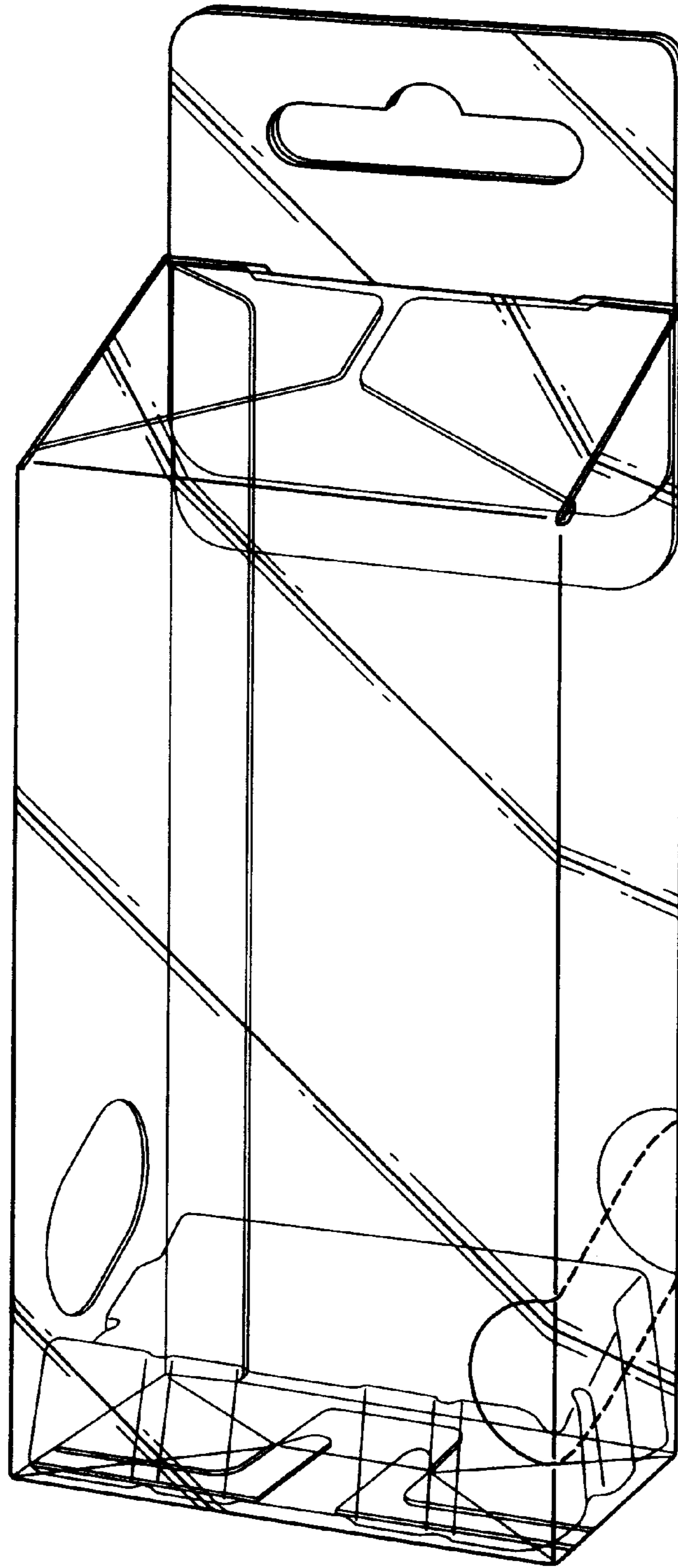


FIG. 2

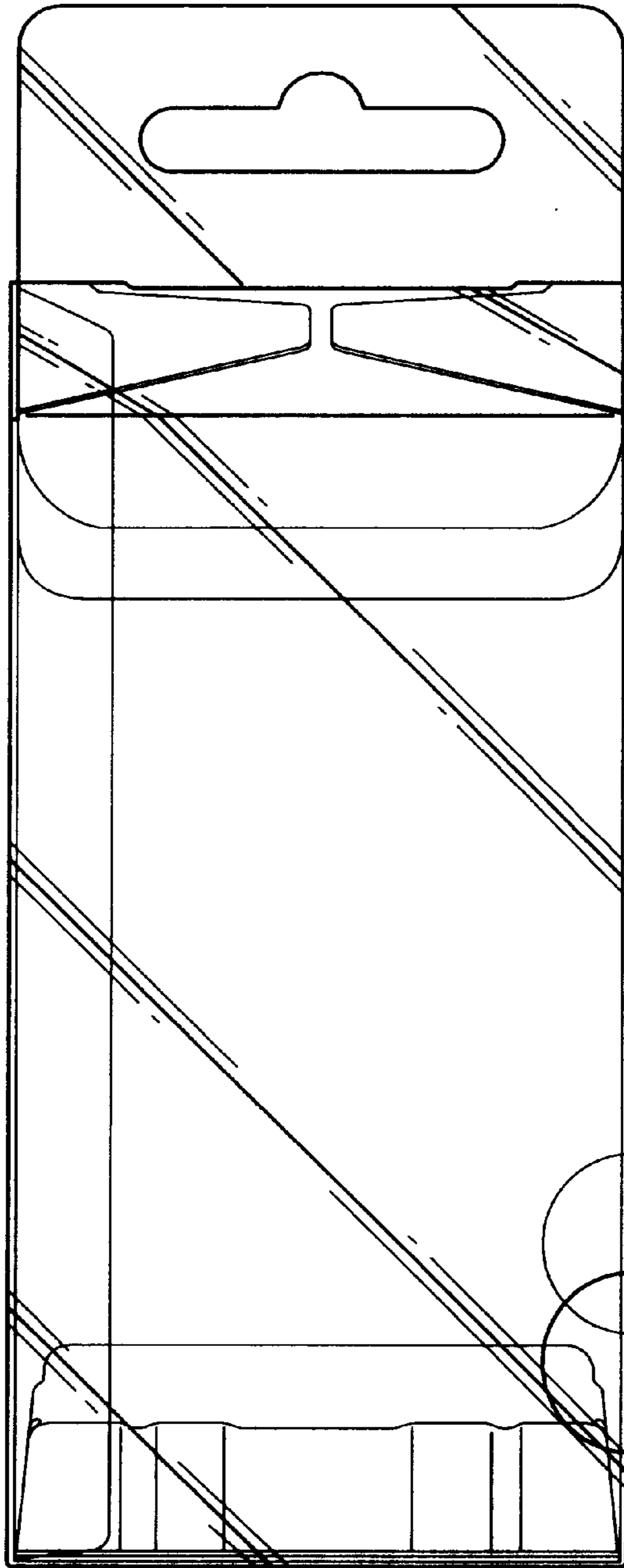


FIG. 3

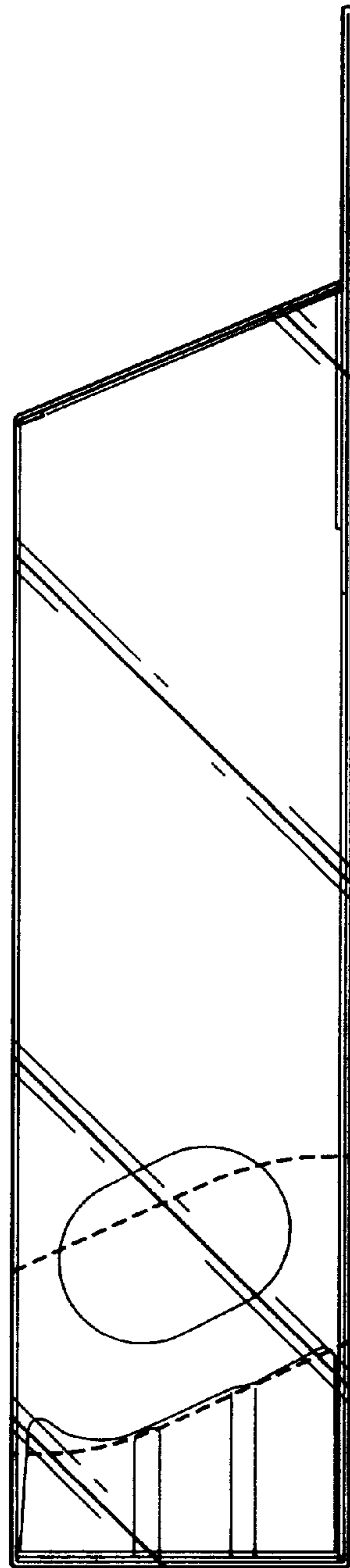


FIG. 4

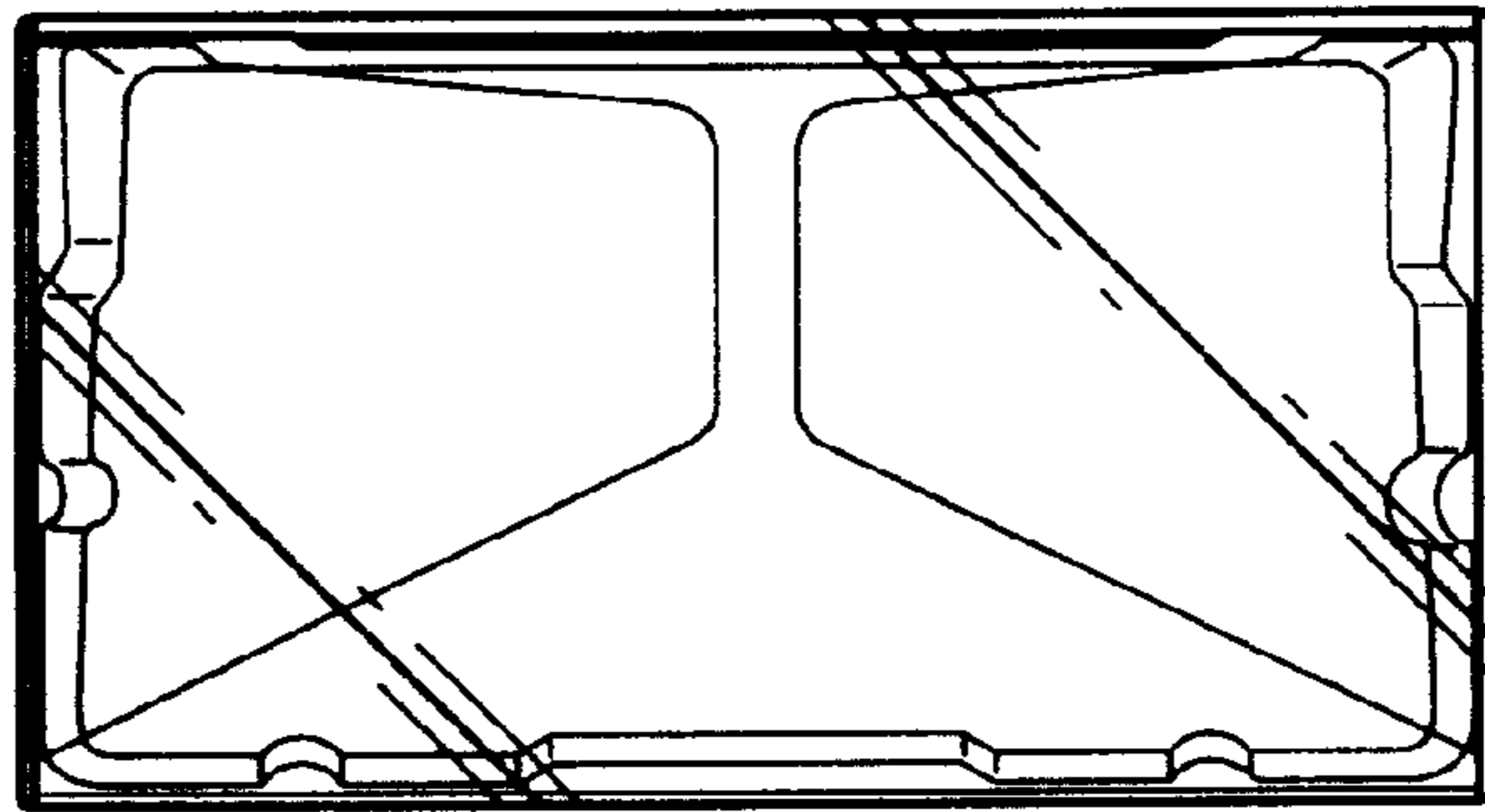


FIG. 5

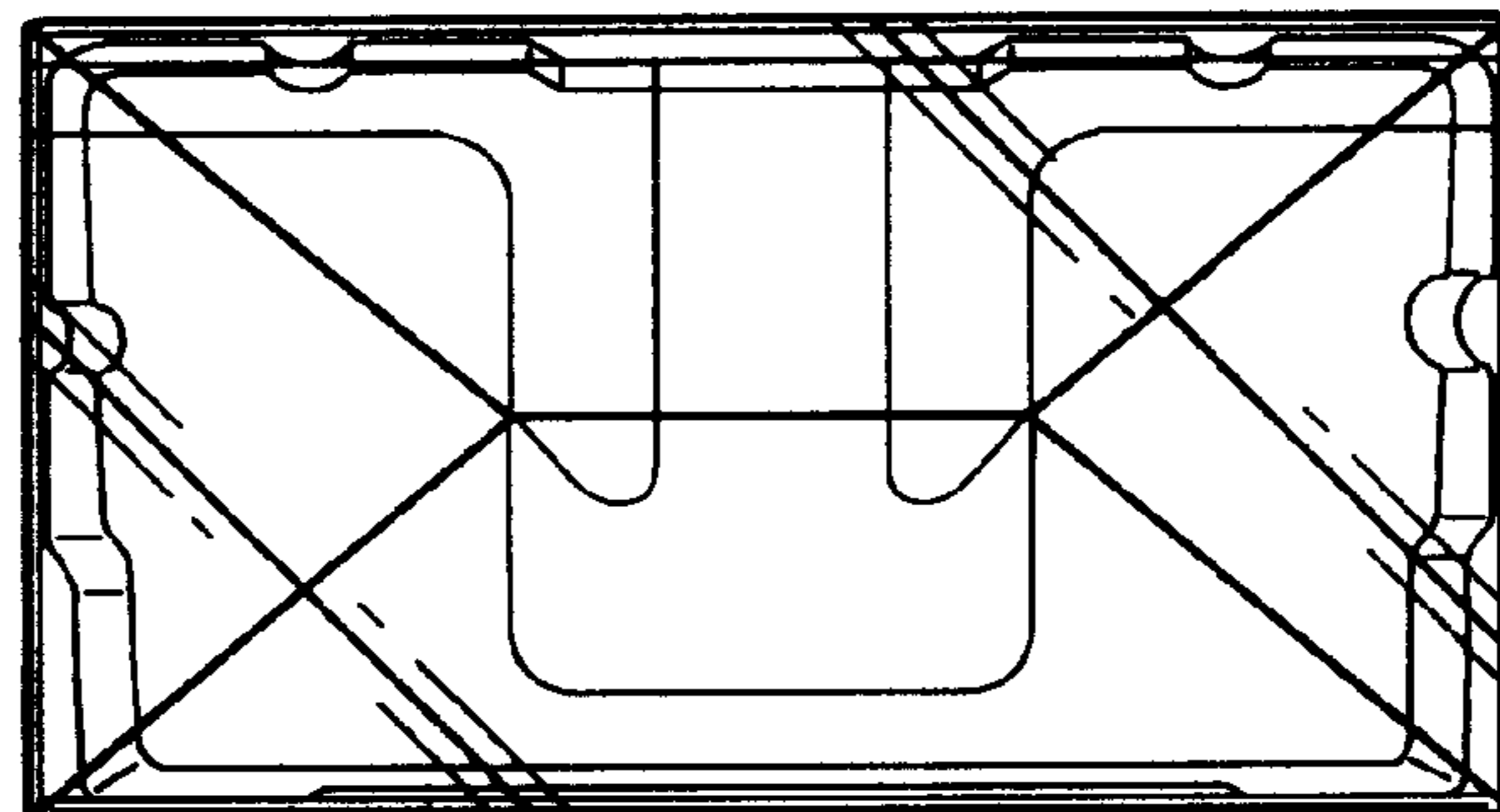


FIG. 6

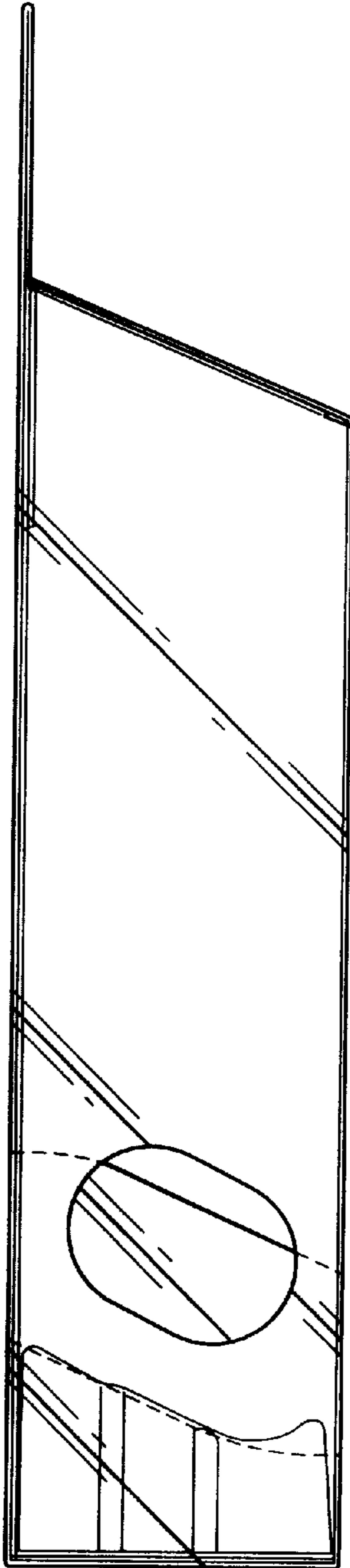


FIG. 7

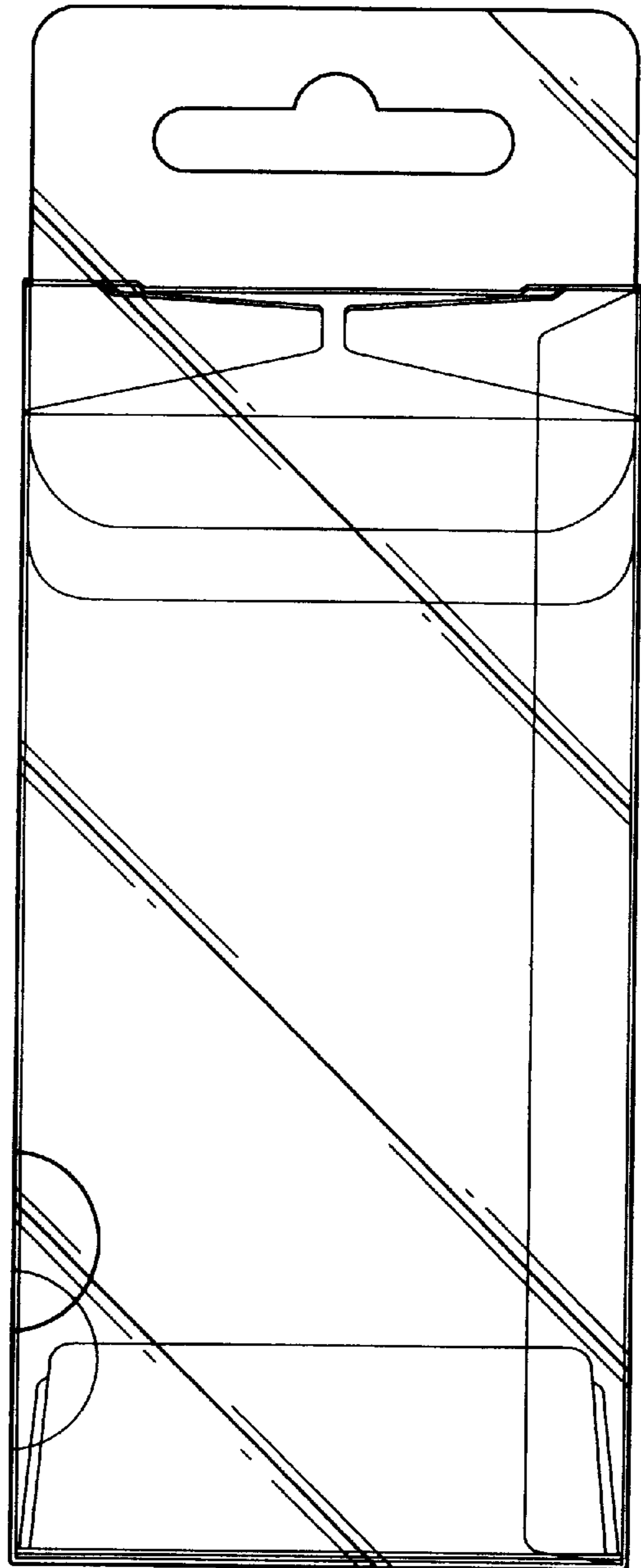


FIG. 8

