



US00D429634S

**United States Patent** [19]  
**Pirro**

[11] **Patent Number: Des. 429,634**

[45] **Date of Patent: \*\* Aug. 22, 2000**

[54] **BATTERY PACKAGE**

[75] Inventor: **Jeffrey P. Pirro**, Marcellus, N.Y.

[73] Assignee: **Eveready Battery Company, Inc.**, St. Louis, Mo.

[\*\*] Term: **14 Years**

[21] Appl. No.: **29/103,990**

[22] Filed: **Apr. 26, 1999**

[51] **LOC (7) Cl.** ..... **09-07**

[52] **U.S. Cl.** ..... **D9/415**

[58] **Field of Search** ..... D9/415, 418, 337,  
D9/414, 341, 432; 206/461-471, 703, 704,  
705, 806, 495, 769-773, 775-781

[56] **References Cited**

**U.S. PATENT DOCUMENTS**

D. 222,581	11/1971	Nakamura	.....	D9/415
D. 339,984	10/1993	Cohen	.....	D9/415
D. 410,384	1/1999	Gaffeny et al.	.....	D9/415
4,650,074	3/1987	Vosbikian	.....	206/806 X
5,029,705	7/1991	Schmidt et al.	.....	206/705
5,379,894	1/1995	Haas et al.	.....	206/461 X
5,429,233	7/1995	Juaristi	.....	206/705
5,735,404	4/1998	Kumakura et al.	.....	206/469

**OTHER PUBLICATIONS**

Techform Inc. (from 206/461 Shoe), Nov. 1982.  
Modern Packaging Catalog, p. 300, Jan. 1941.

*Primary Examiner*—Prabhakar Deshmukh

*Attorney, Agent, or Firm*—Robert W. Welsh; Stewart A. Fraser

[57] **CLAIM**

I claim the ornamental design for battery package, as shown and described.

**DESCRIPTION**

FIG. 1 is a perspective view of a battery package showing the new design;

FIG. 2 is a front elevational view of FIG. 1, the back elevation is a mirror image of the front elevation;

FIG. 3 is a top plan view of FIG. 1;

FIG. 4 is a right side elevational view of FIG. 1;

FIG. 5 is a left side elevational view of FIG. 1;

FIG. 6 is a bottom view of FIG. 1;

FIG. 7 is a perspective view of a second embodiment of FIG. 1;

FIG. 8 is a front elevational view of FIG. 7, the back elevation is a mirror image of the front elevation;

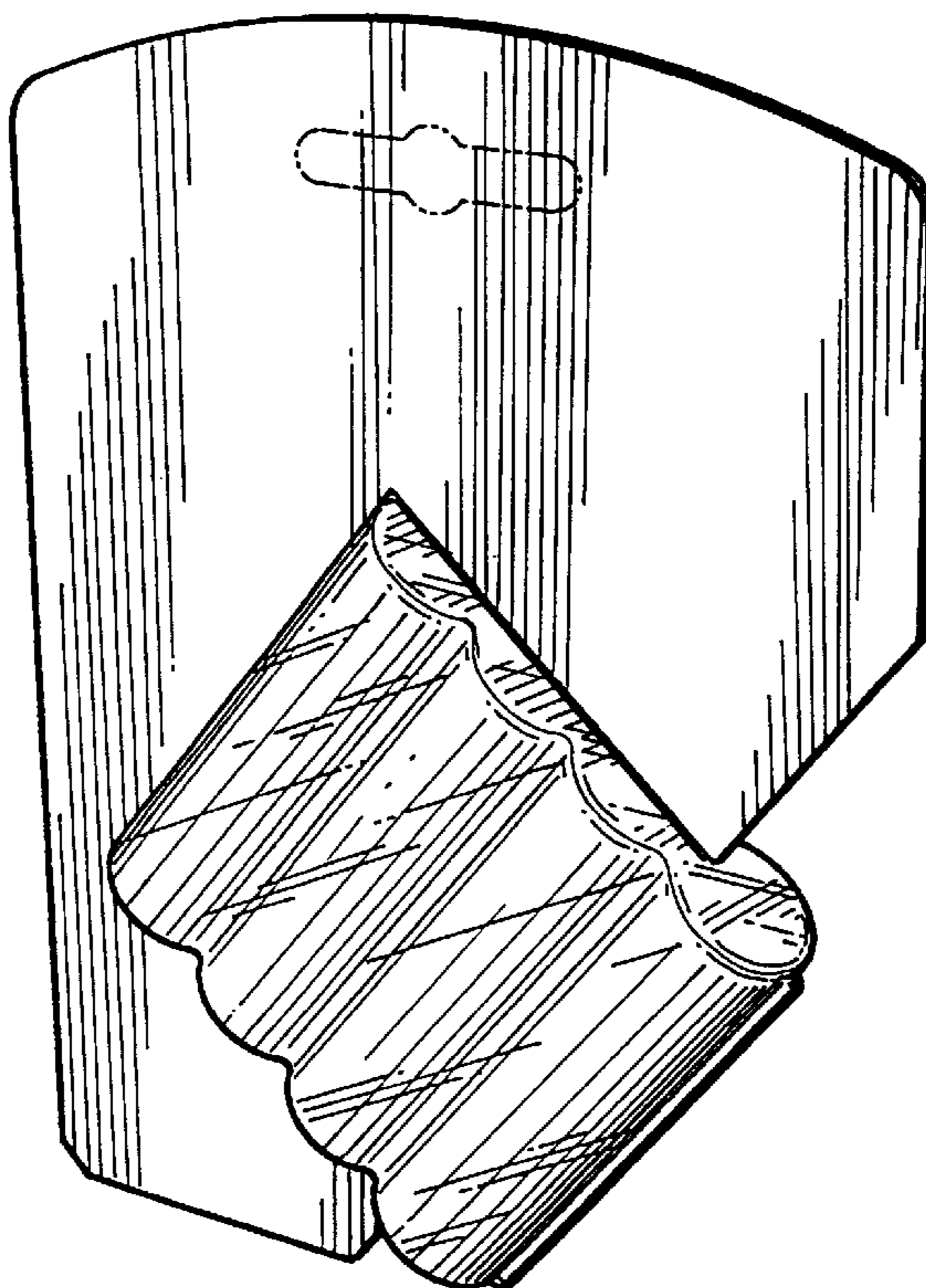
FIG. 9 is a top plan view of FIG. 7;

FIG. 10 is a right side elevational view of FIG. 7;

FIG. 11 is a left side elevational view of FIG. 7; and,

FIG. 12 is a bottom view of FIG. 7.

**1 Claim, 4 Drawing Sheets**



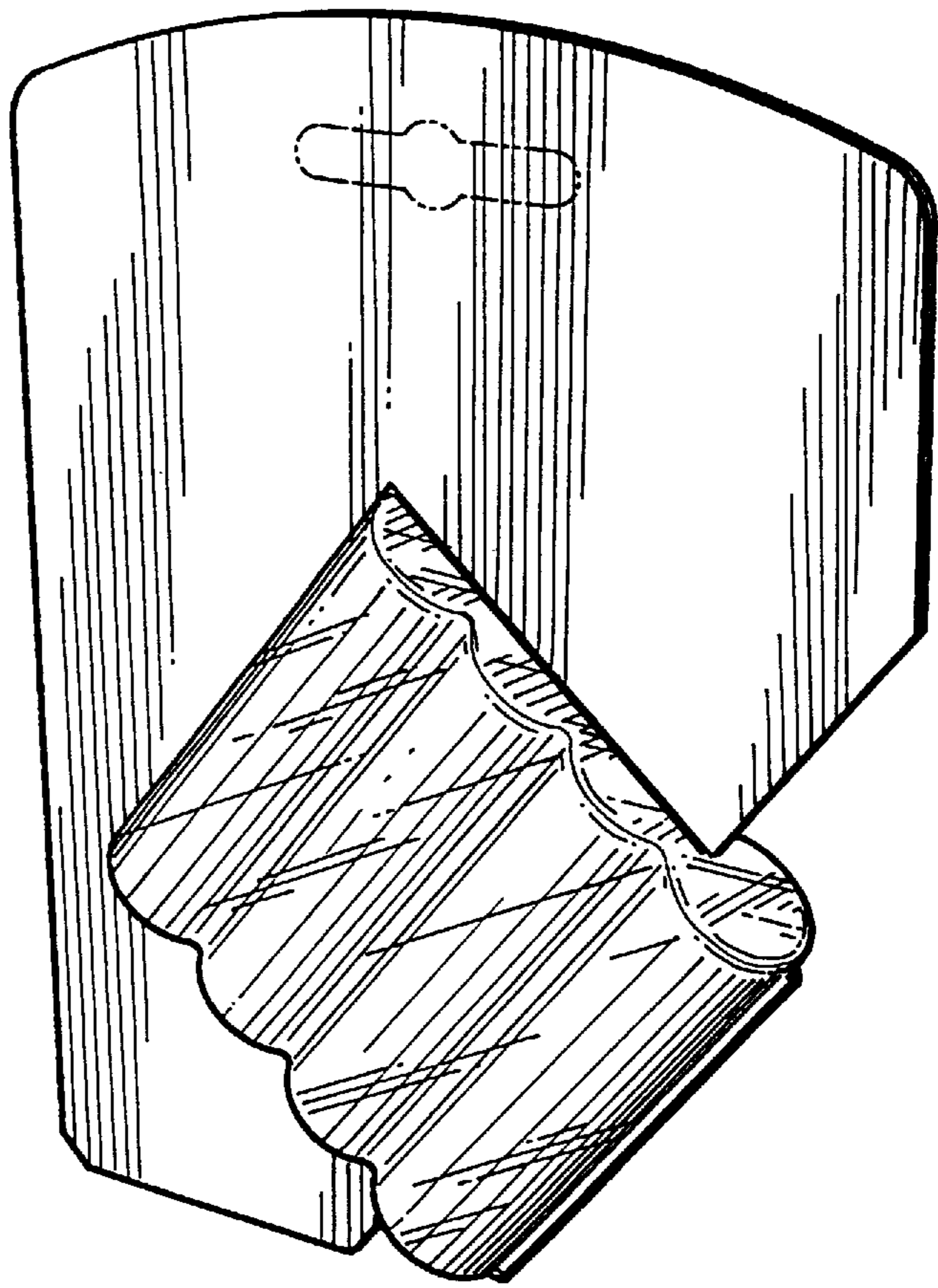


Fig. 1

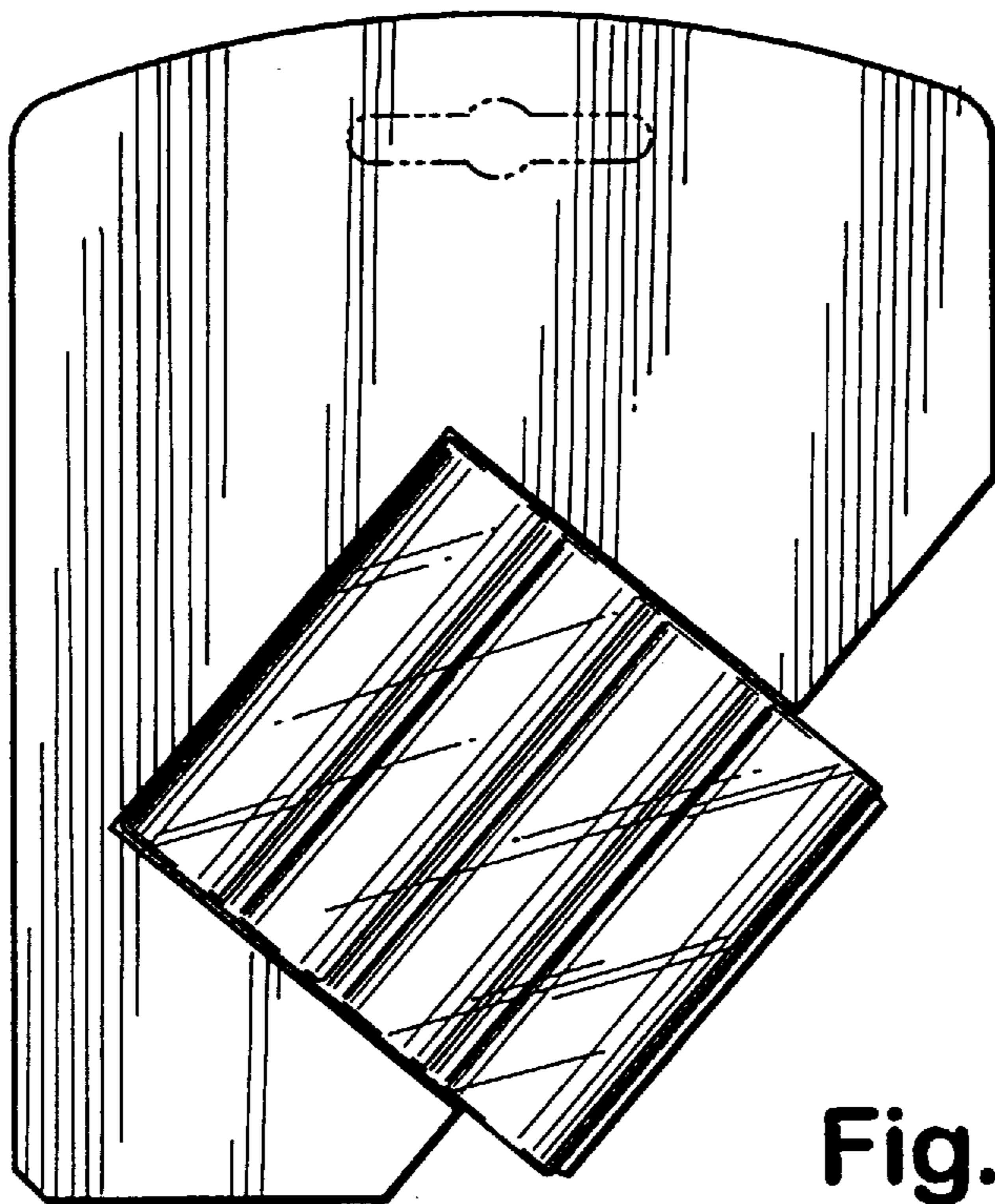


Fig. 2



Fig. 3



Fig. 5



Fig. 4

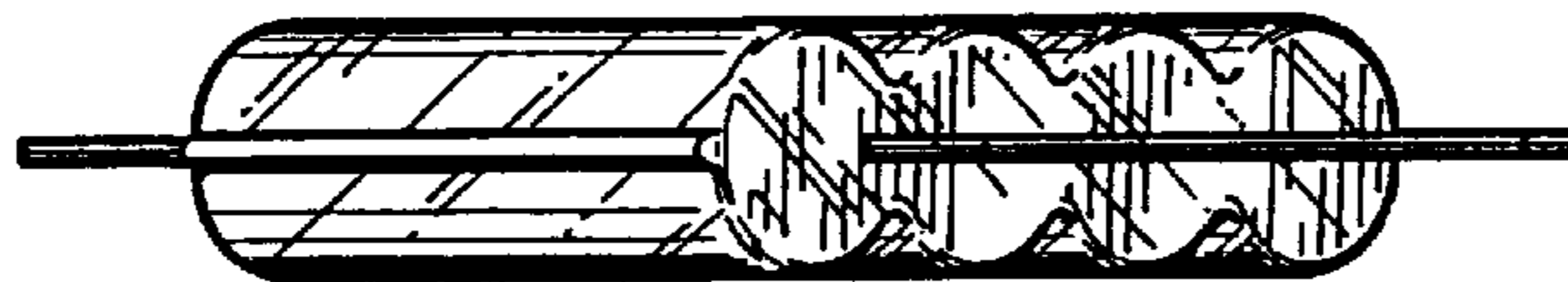


Fig. 6

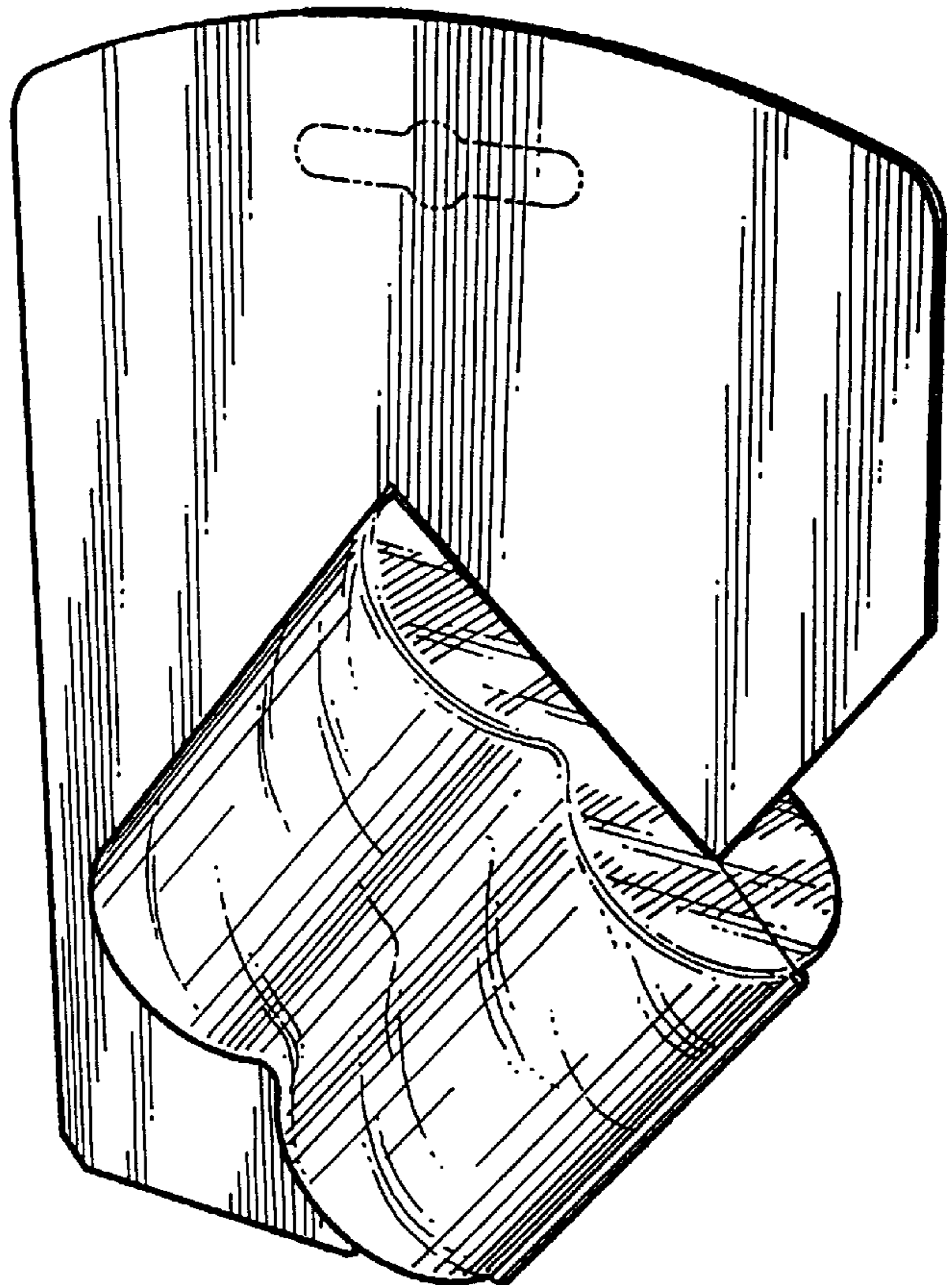


Fig. 7

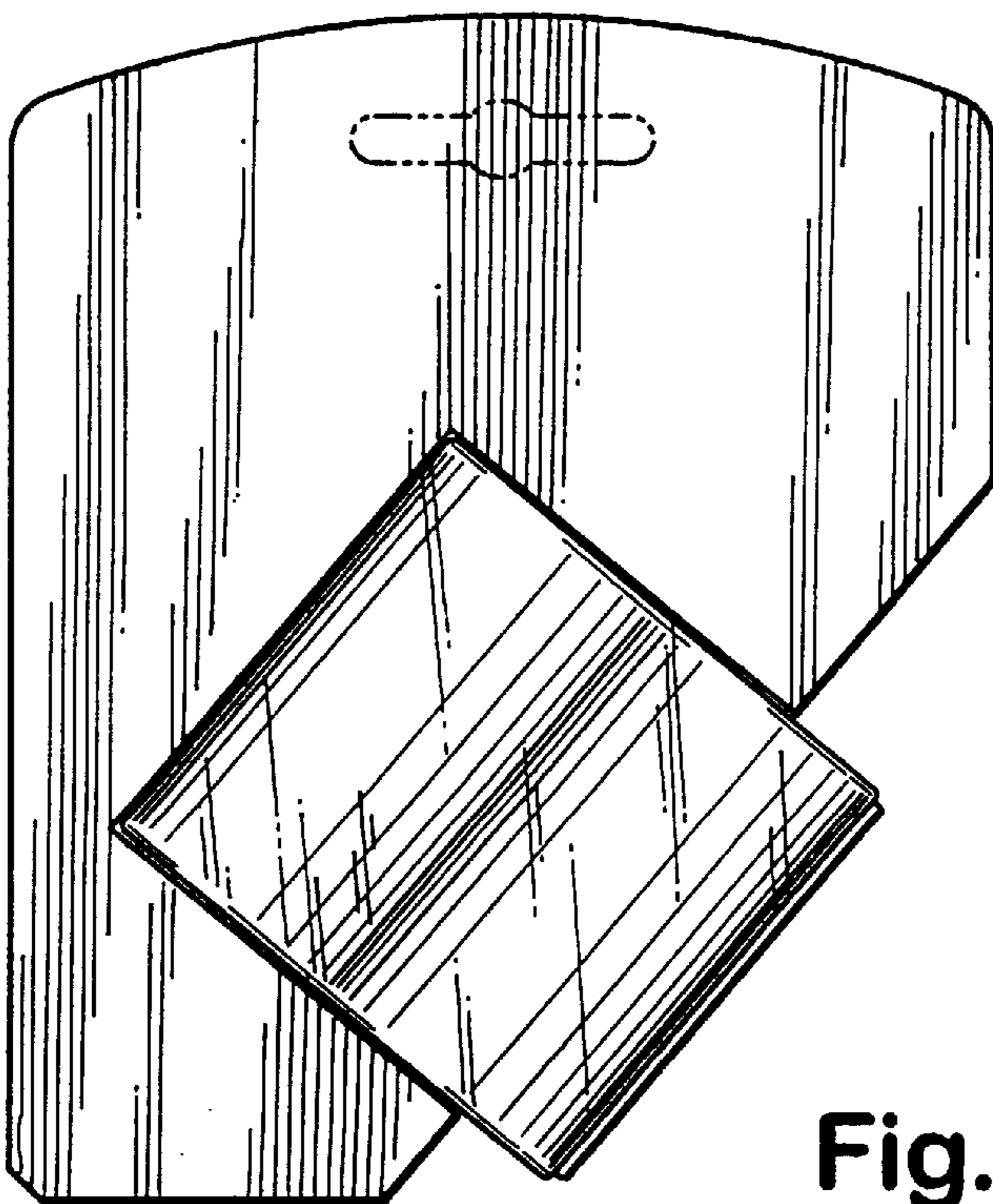


Fig. 8

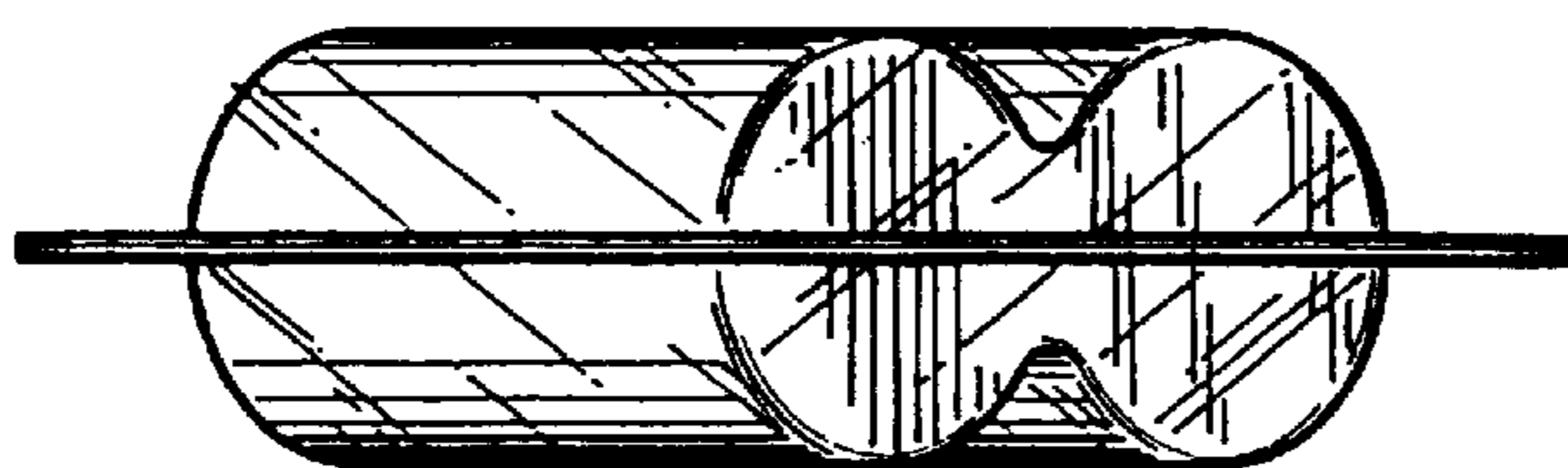


Fig. 9

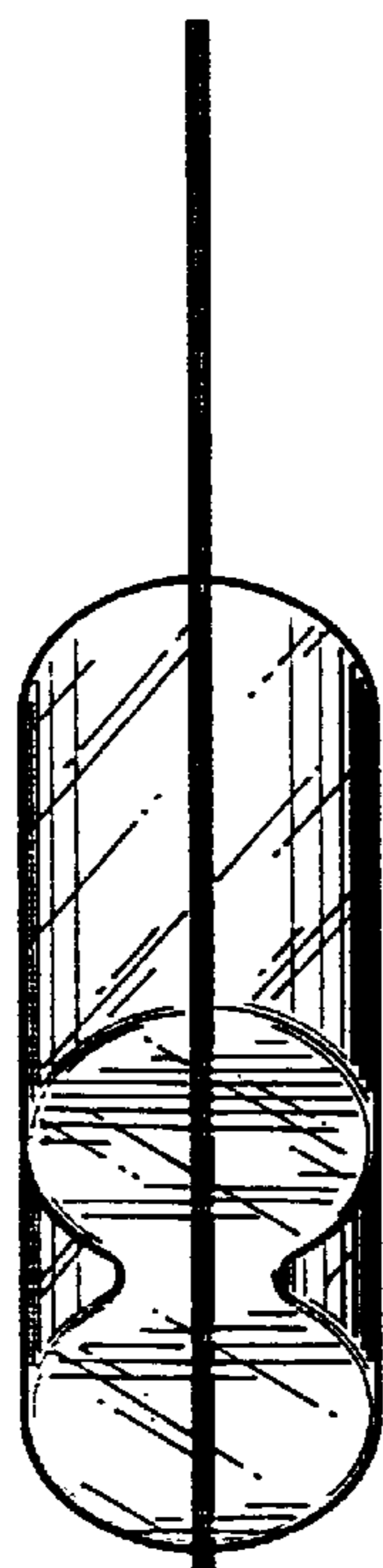


Fig. 11

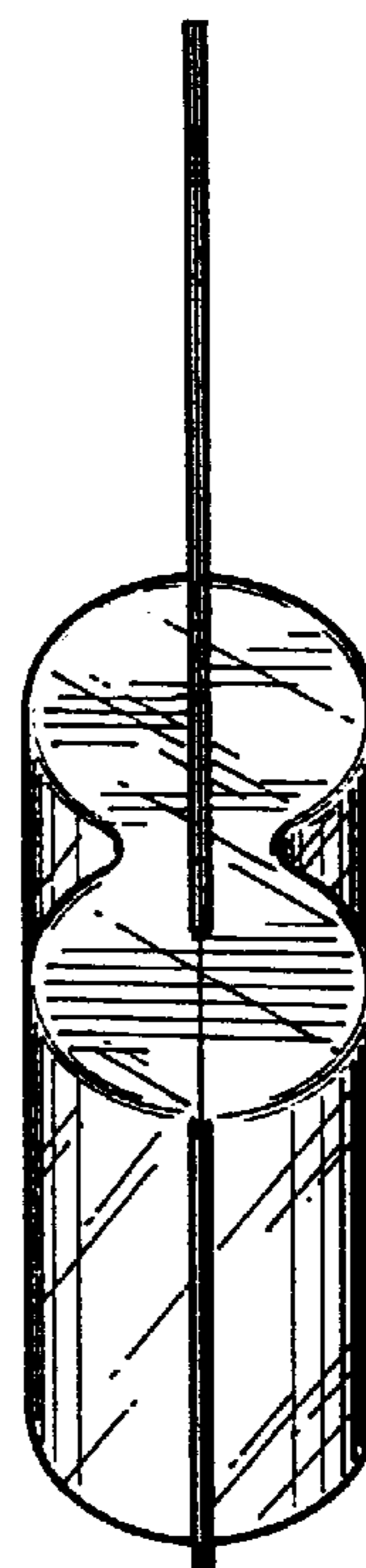


Fig. 10

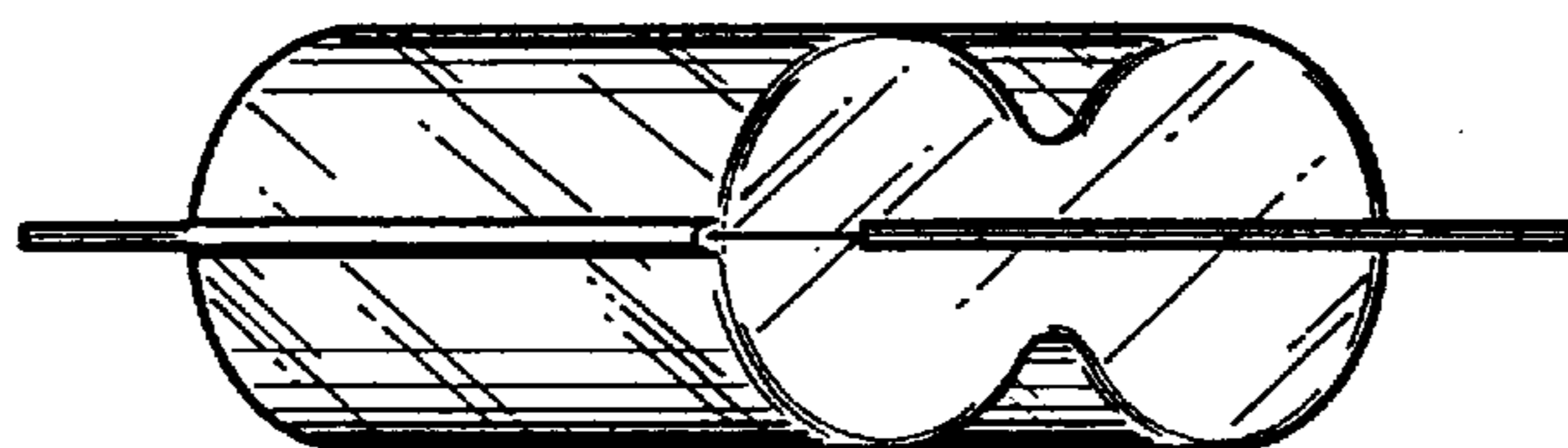


Fig. 12