



US00D429630S

United States Patent [19]
Knight et al.

[11] **Patent Number: Des. 429,630**

[45] **Date of Patent: ** Aug. 22, 2000**

[54] **CONTAINER WITH CAP**

[75] Inventors: **Jason Paul Knight**, Low Utley;
George Ayrton Fisher, Streeton, both
of United Kingdom

[73] Assignee: **Johnson & Johnson Medical, Ltd.**,
United Kingdom

[**] Term: **14 Years**

[21] Appl. No.: **29/104,223**

[22] Filed: **Apr. 30, 1999**

[30] **Foreign Application Priority Data**

Nov. 4, 1998 [GB] United Kingdom 2078866

[51] **LOC (7) Cl.** **09-01**

[52] **U.S. Cl.** **D9/301; D24/115**

[58] **Field of Search** D9/300, 301, 502;
D24/115; 215/228, 382; 222/92, 107, 633;
220/666, 669, 672

[56] **References Cited**

U.S. PATENT DOCUMENTS

- D. 243,122 1/1977 Dash D24/115
- D. 246,321 11/1977 Lofman D24/115
- D. 288,006 1/1987 Bergstrom et al. D24/115
- D. 298,015 10/1988 Gendron et al. D9/447

- D. 336,828 6/1993 Mikulec et al. D24/115 X
- D. 344,132 2/1994 Schneberger et al. D9/301 X
- D. 398,838 9/1998 Nielsen D9/301
- 3,190,619 6/1965 Penney et al. D24/115 X
- 3,379,196 4/1968 Mitchell D24/115 X
- 3,557,788 1/1971 Swartz 222/107 X
- 3,602,387 8/1971 Patnaude et al. 215/228 X
- 5,400,923 3/1995 Golias et al. 222/107 X
- 5,921,233 7/1999 Gold et al. 222/92 X

Primary Examiner—Cathron B. Matta
Attorney, Agent, or Firm—Theodore J. Shatynski

[57] **CLAIM**

The ornamental design for a container with cap, as shown and described.

DESCRIPTION

FIG. 1 is a front perspective view from above and one side of a container and cap incorporating our new design; FIG. 2 is a top plan view thereof; FIG. 3 is a front view thereof; FIG. 4 is the underneath plan view thereof; and, FIG. 5 is a perspective view with the cap being shown and separated from the container for completeness of illustration.

The broken line showing of the upper portion of the container is for illustrative purposes only and forms no part of the claimed design.

1 Claim, 2 Drawing Sheets

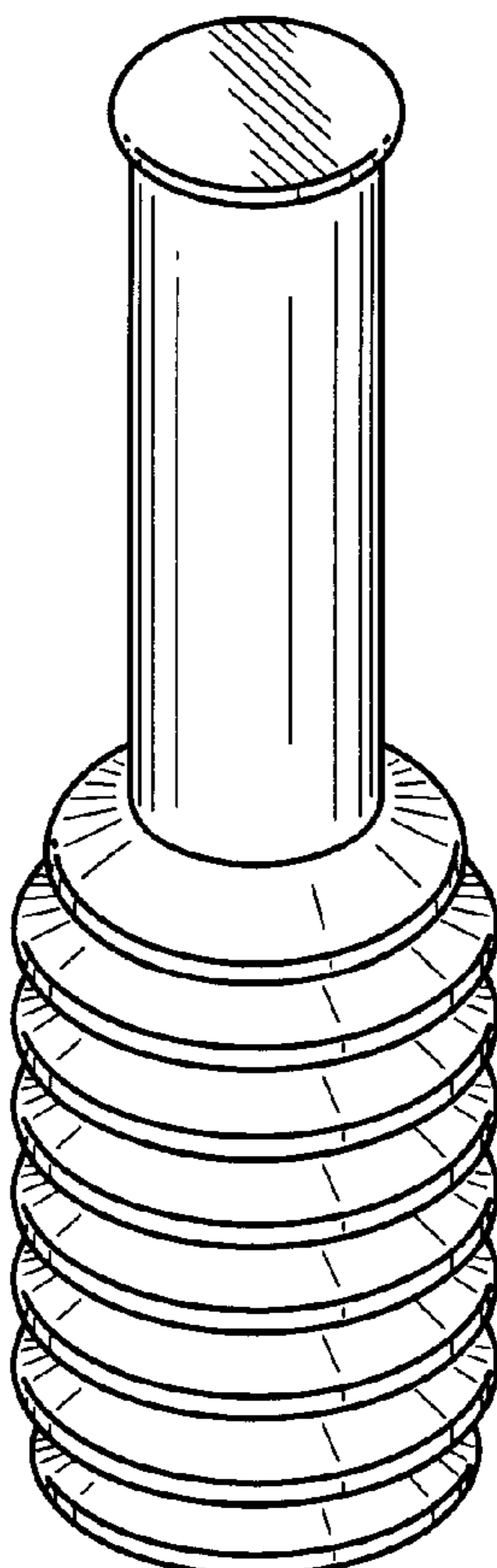


FIG. 1

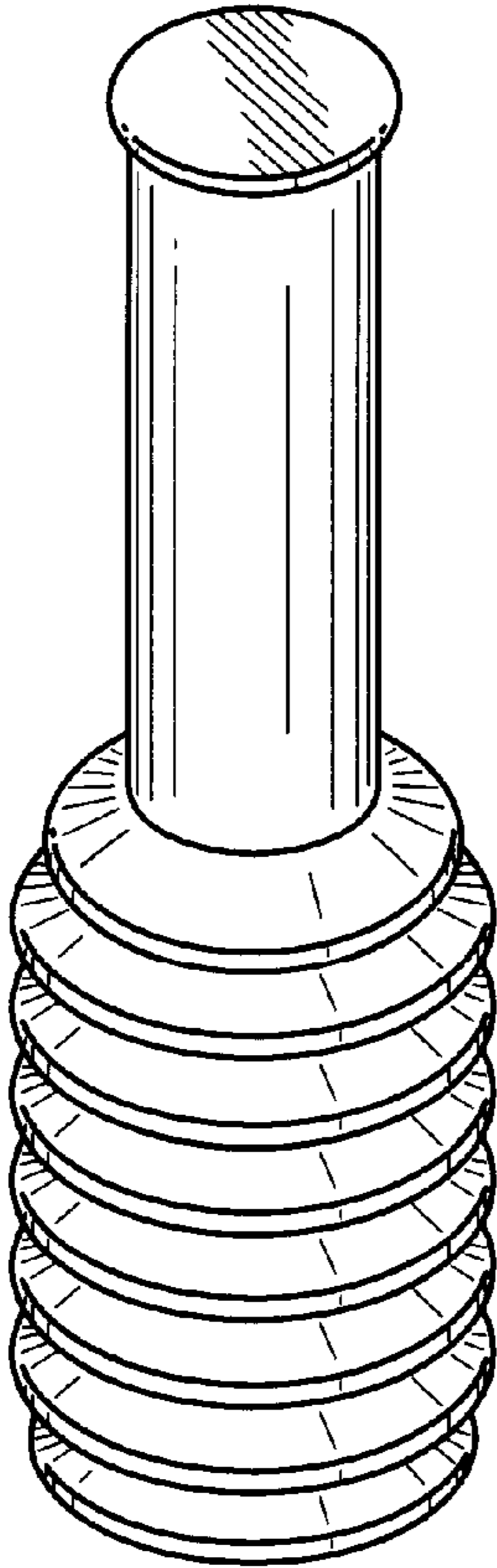


FIG. 3

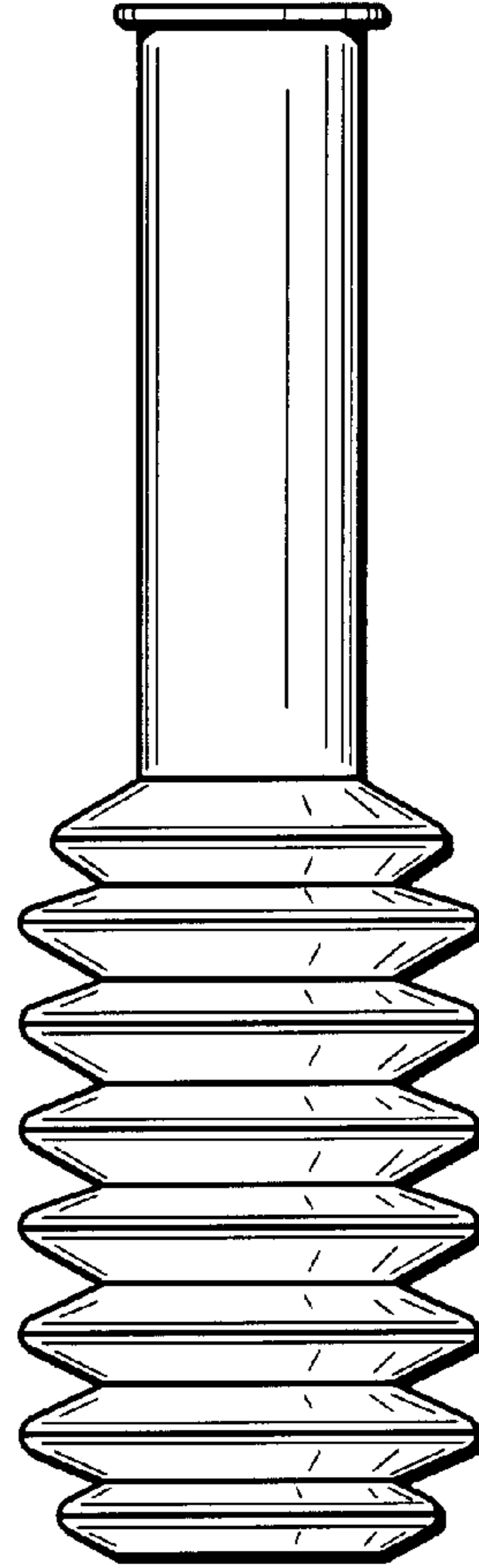


FIG. 2

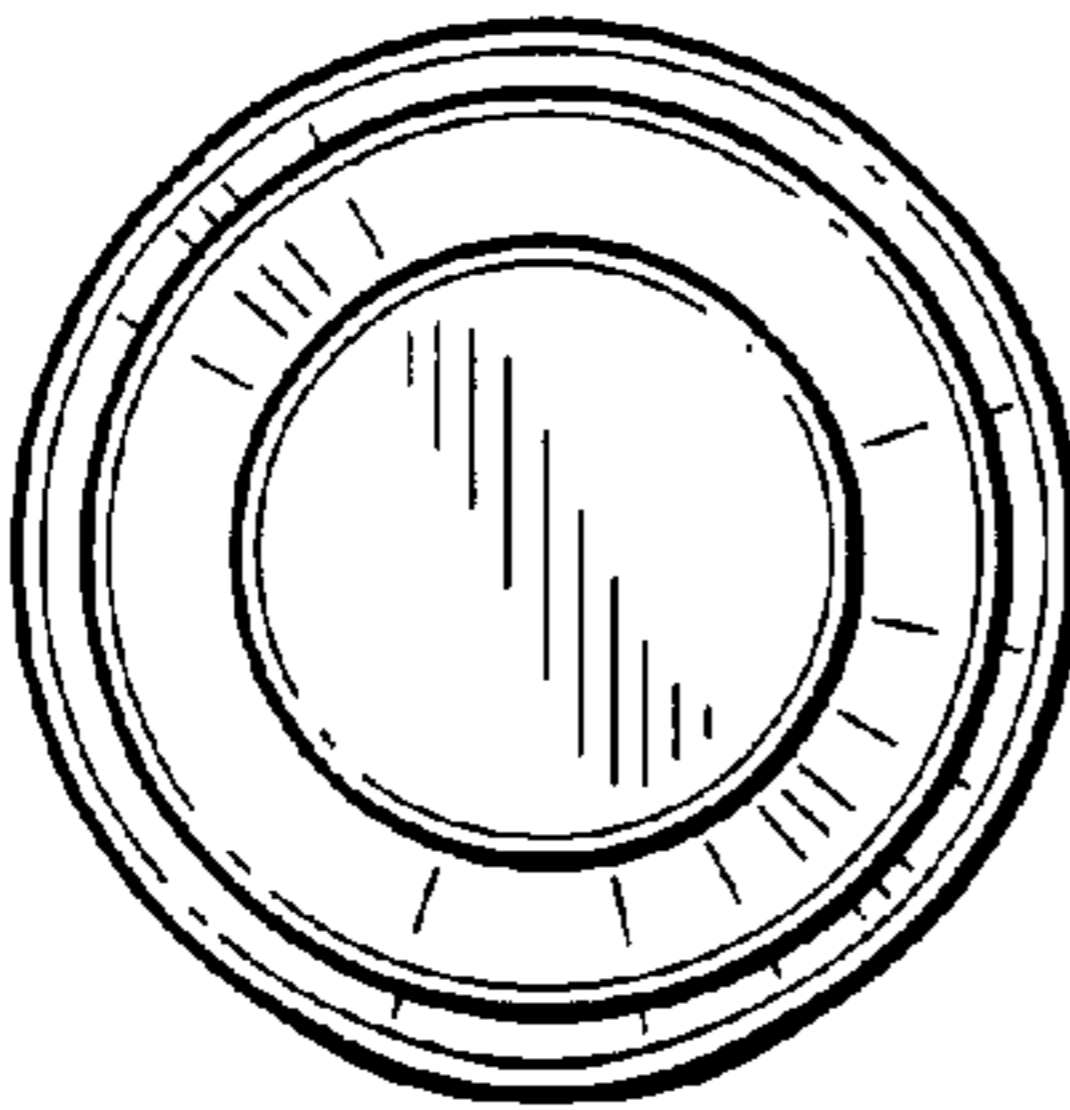
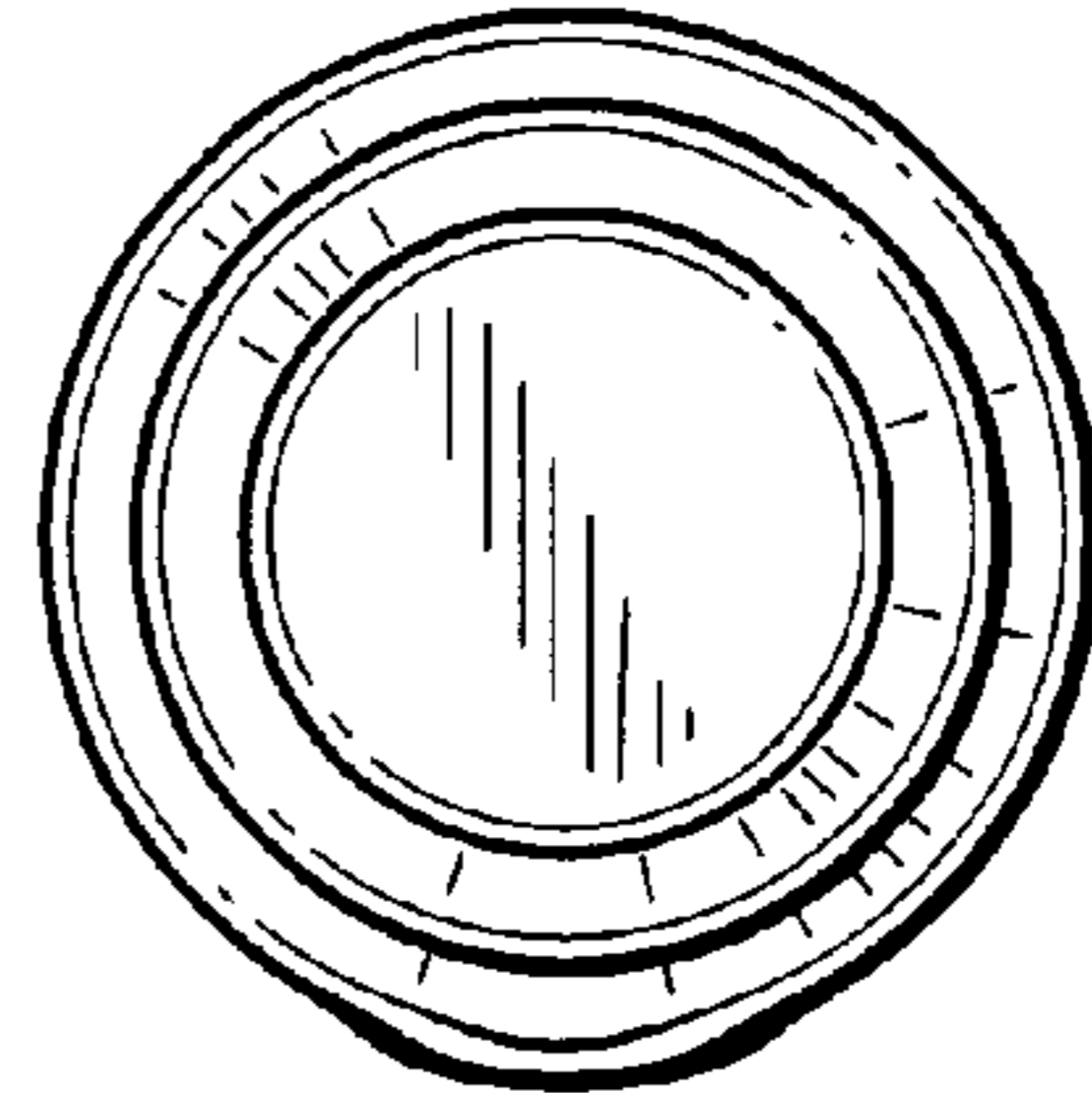


FIG. 4



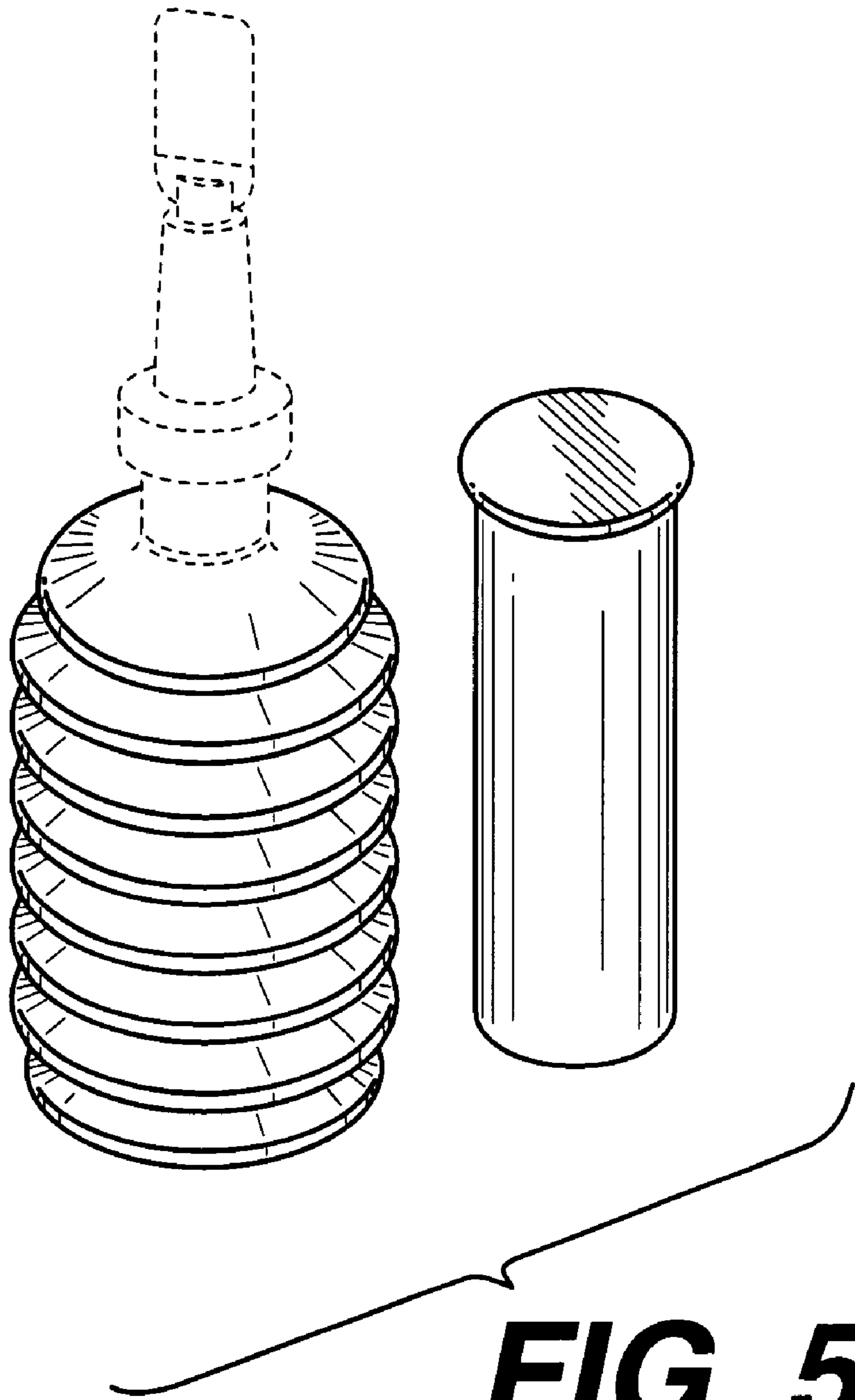


FIG. 5