



US00D429626S

United States Patent [19]

Hearn et al.

[11] **Patent Number: Des. 429,626**

[45] **Date of Patent: ** Aug. 22, 2000**

[54] **MEAT HOOK**

[76] Inventors: **Richard Charles Hearn**, 1/2 Francis Elliott Court, Bundalong, Victoria 3730; **Patrick Pearse O'Connor**, 37 Inglis Street, Mulwala, New South Wales 2647, both of Australia

[**] Term: **14 Years**

[21] Appl. No.: **29/110,857**

[22] Filed: **Sep. 15, 1999**

[30] **Foreign Application Priority Data**

Mar. 15, 1999 [AU] Australia 801/99

[51] **LOC (7) Cl.** **08-05**

[52] **U.S. Cl.** **D8/367**

[58] **Field of Search** D8/367, 373; 294/26; 248/339

[56] **References Cited**

U.S. PATENT DOCUMENTS

2,488,312 11/1949 Millican et al. 294/26

3,552,703	1/1971	Ronellenfitch	248/339
4,023,844	5/1977	Roberts	294/26
4,182,004	1/1980	Haring, Jr.	452/187
5,005,257	4/1991	Bailey	452/185

Primary Examiner—Holly Baynham
Attorney, Agent, or Firm—Fulbright & Jaworski LLP

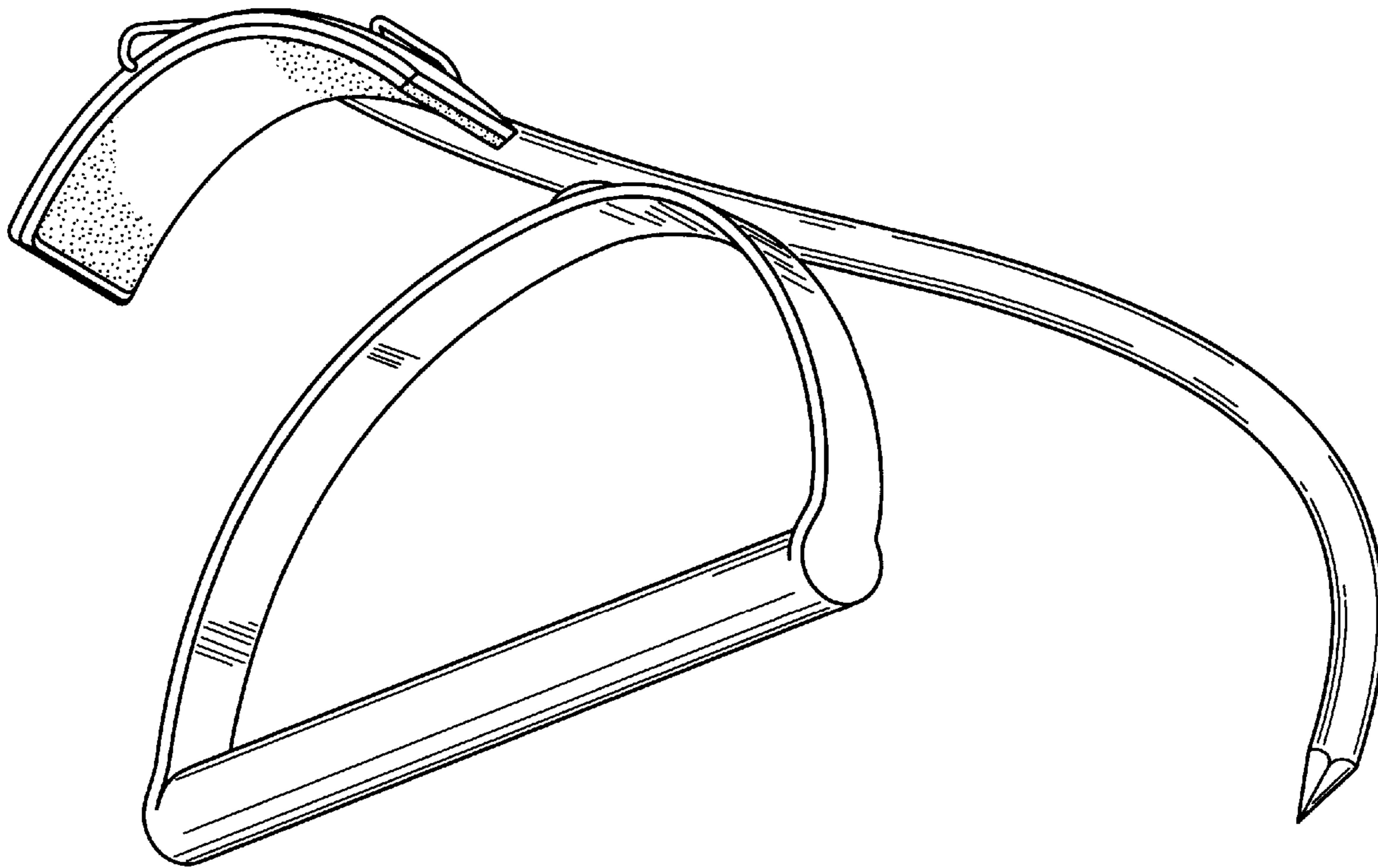
[57] **CLAIM**

The ornamental design for a meat hook, as shown and described.

DESCRIPTION

FIG. 1 is a perspective view;
FIG. 2 is a side view;
FIG. 3 is a top view; and,
FIG. 4 is an end view.

1 Claim, 2 Drawing Sheets



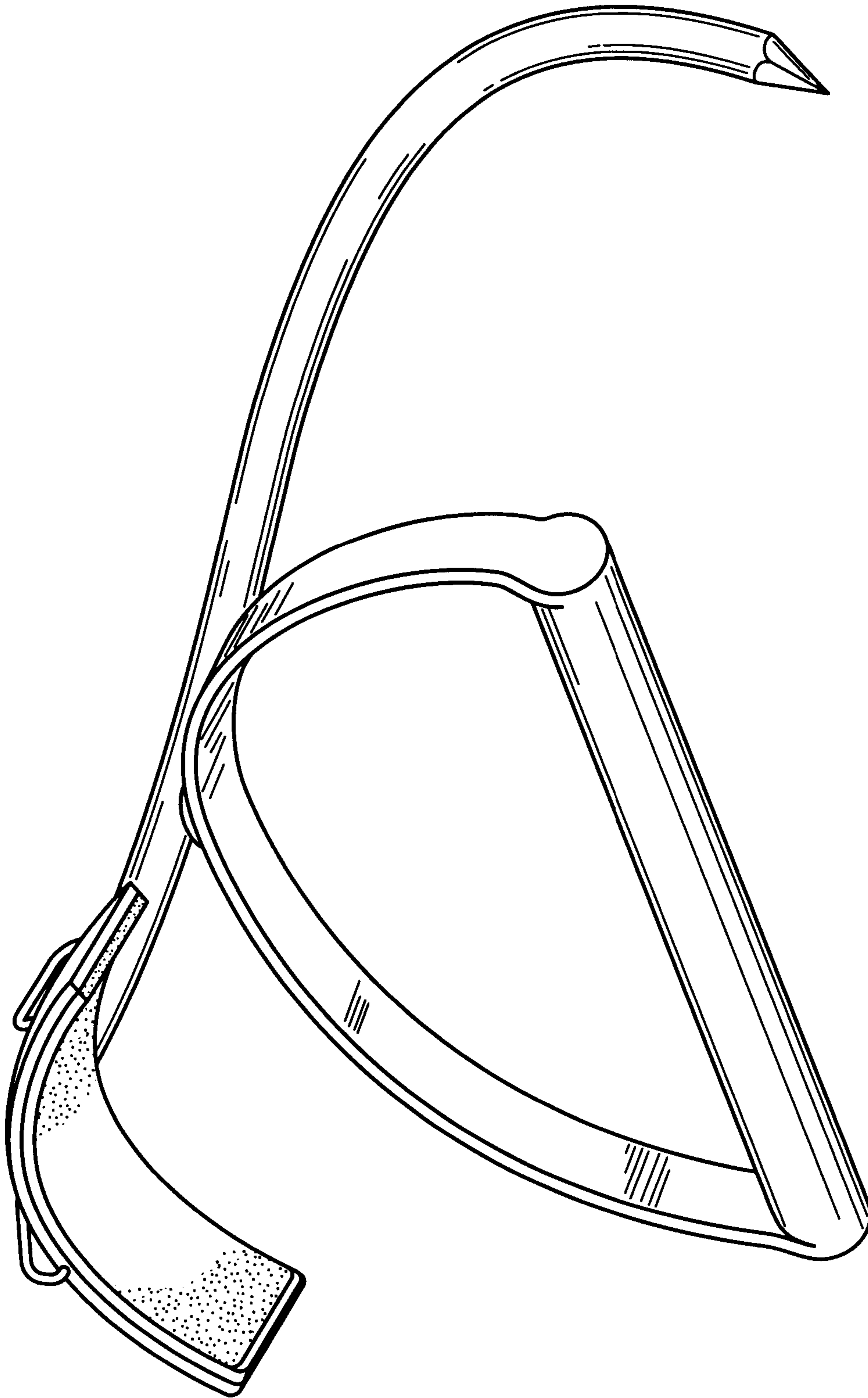


FIG. 1

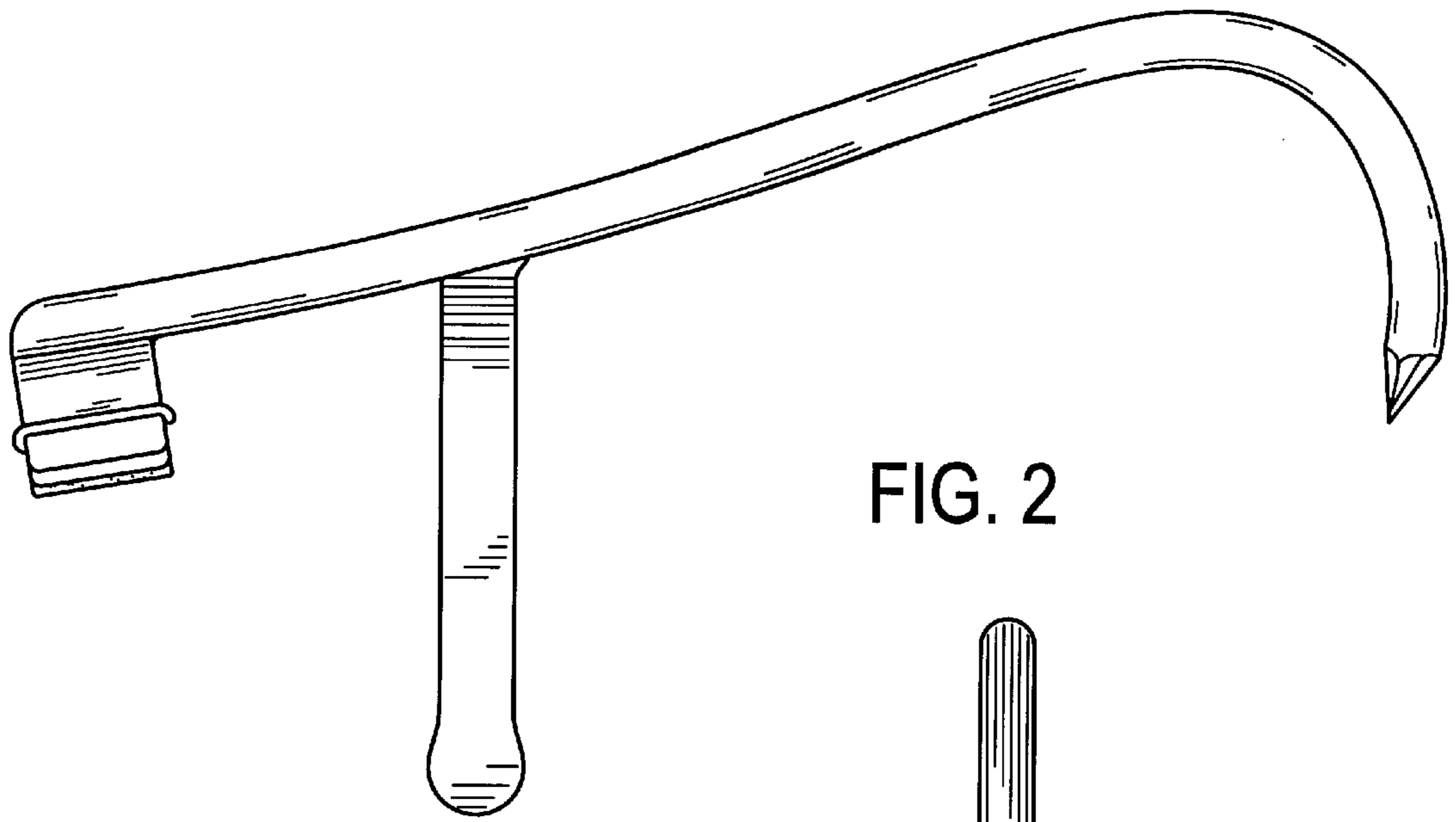


FIG. 2

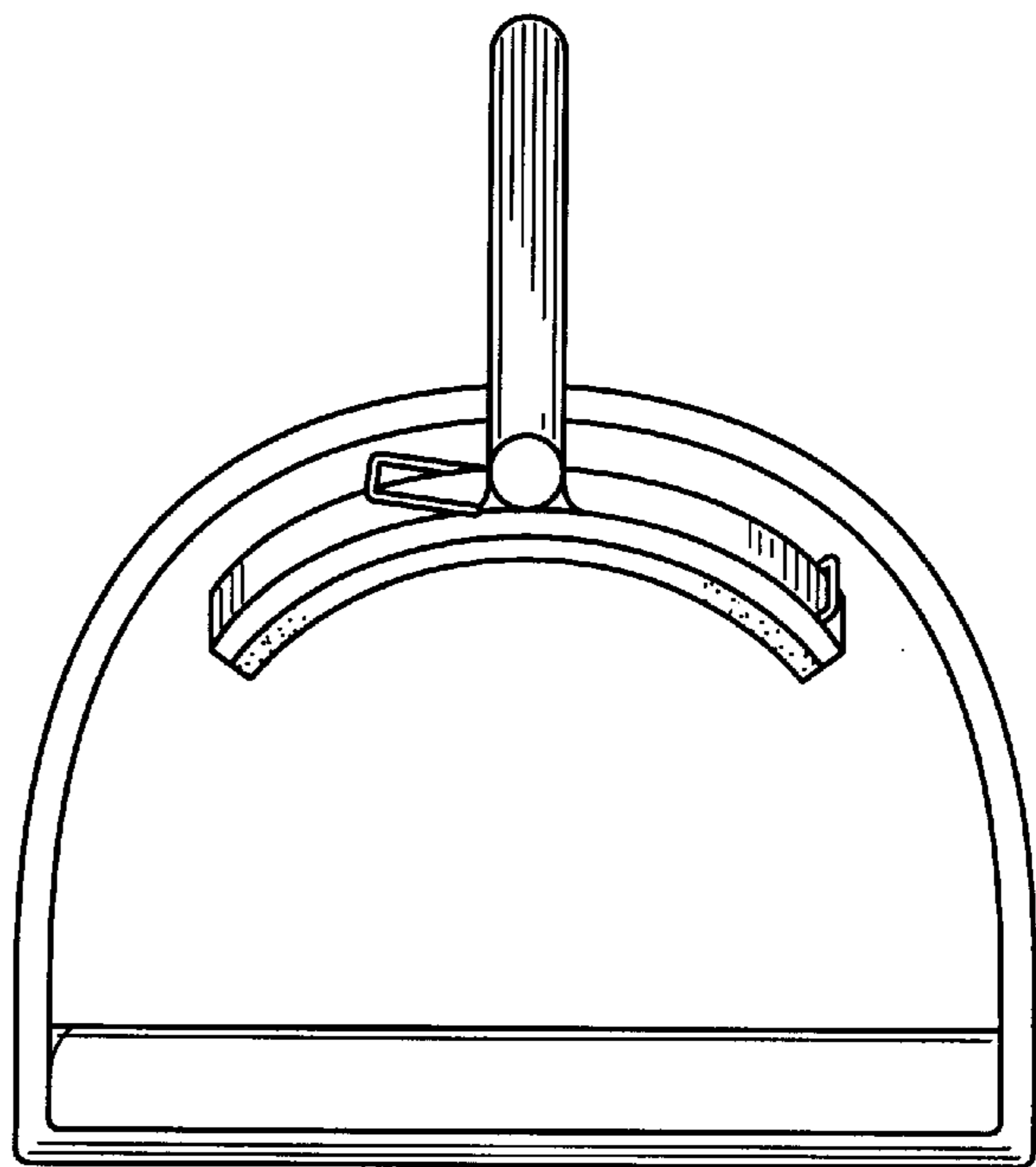


FIG. 4

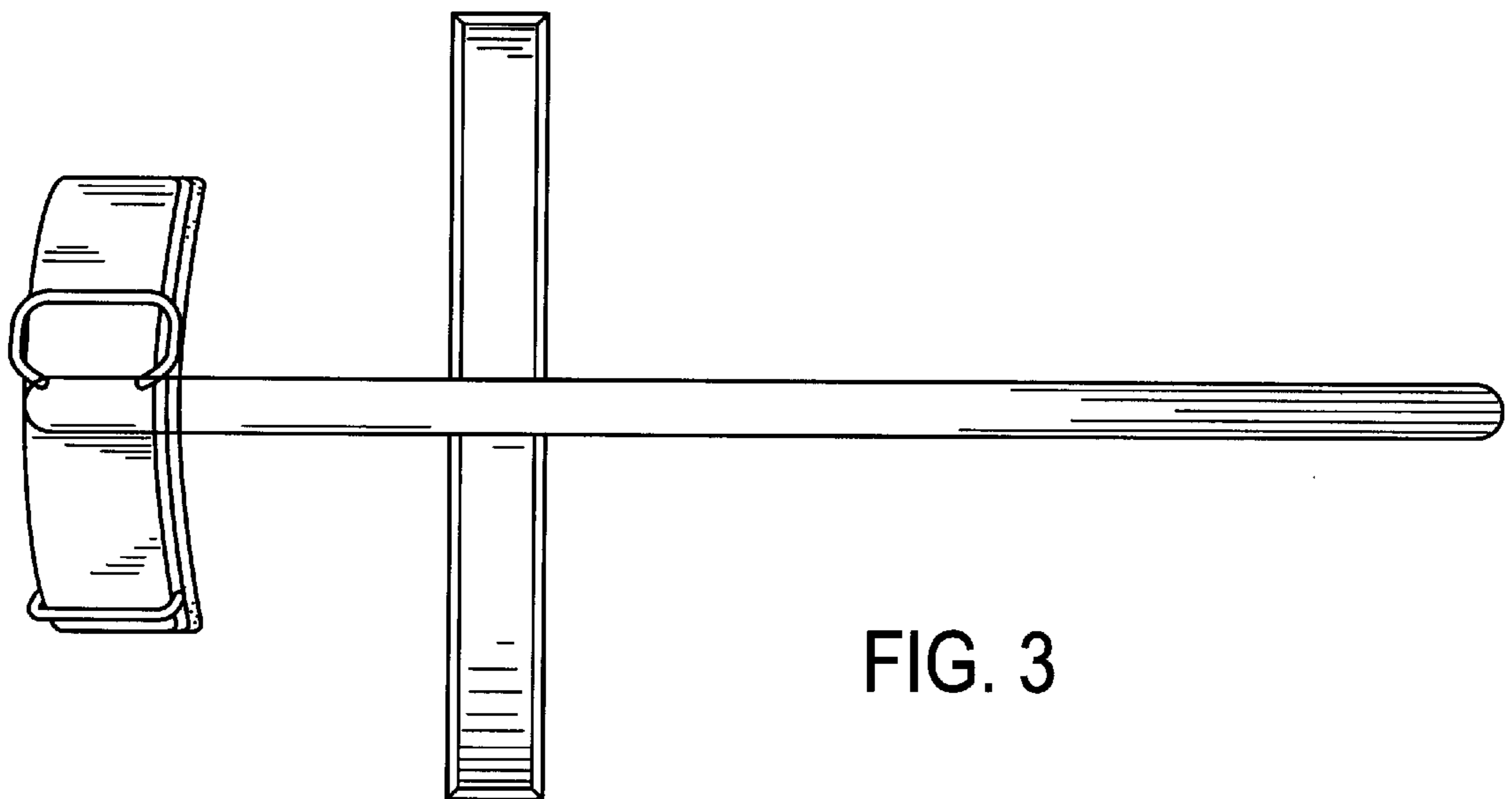


FIG. 3