



US00D429624S

United States Patent [19]
Johnson

[11] **Patent Number: Des. 429,624**

[45] **Date of Patent: ** Aug. 22, 2000**

[54] **CONCRETE CURB FORM DEVICE**

[76] Inventor: **Daniel D. Johnson**, 3216 Spencer Hwy., Pasadena, Tex. 77504

[**] Term: **14 Years**

[21] Appl. No.: **29/103,721**

[22] Filed: **Apr. 19, 1999**

[51] **LOC (7) Cl.** **08-05**

[52] **U.S. Cl.** **D8/354**

[58] **Field of Search** D8/349, 354; 248/300, 248/27.1; 52/715, 719

[56] **References Cited**

U.S. PATENT DOCUMENTS

D. 367,220 2/1996 Bush D8/373
4,648,144 3/1987 Rose 248/214

OTHER PUBLICATIONS

Grammes Catalog, p. 42, clip, located at bottom of page, Jan. 1941.

Grammes Catalog, p. 33, fastener, circled at left of page, Jan. 1941.

Primary Examiner—Holly Baynham
Attorney, Agent, or Firm—John D. Gugliotta

[57] **CLAIM**

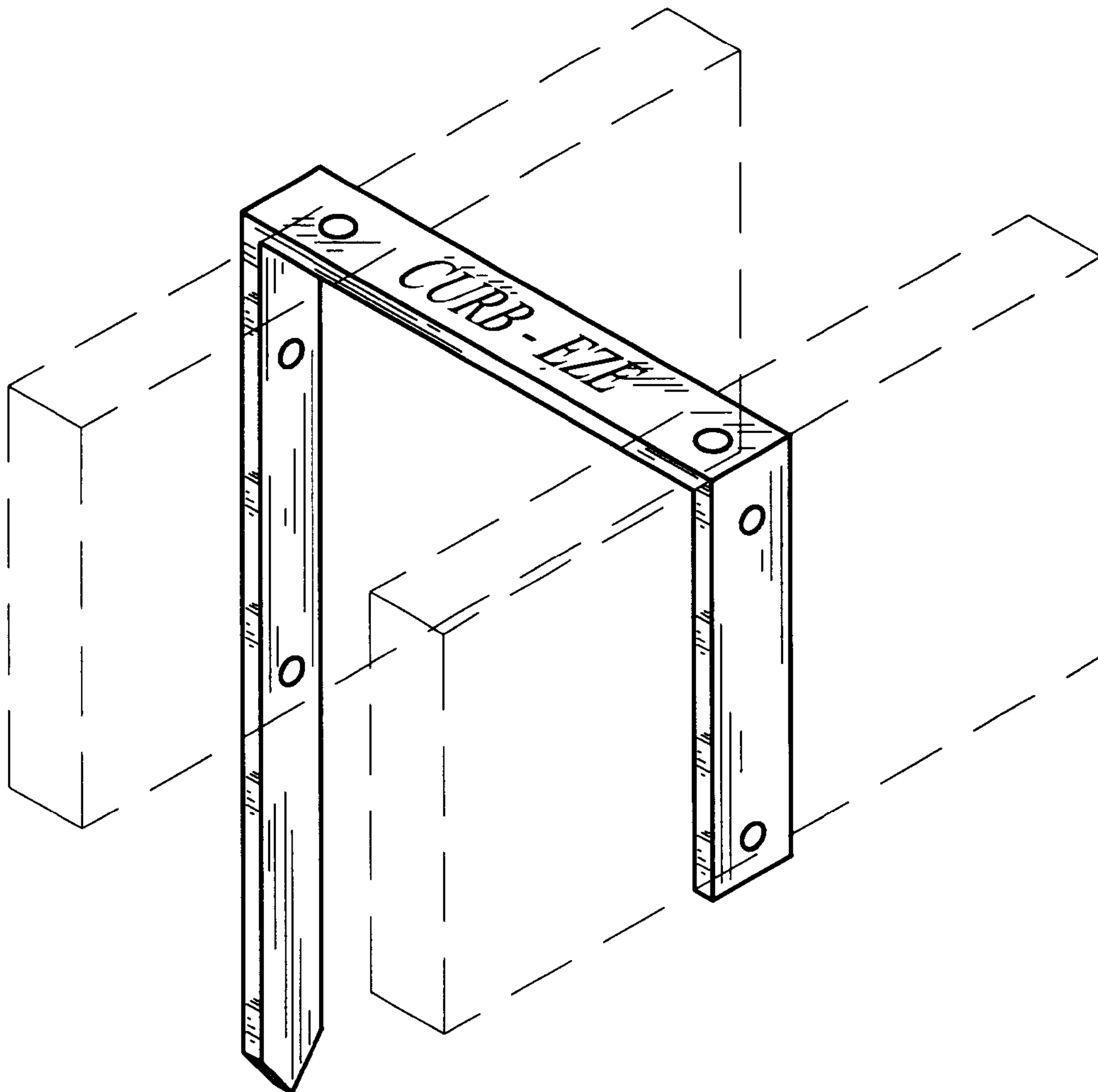
The ornamental design for a concrete curb form device, as shown and described.

DESCRIPTION

FIG. 1 is a perspective view of a preferred embodiment of a concrete curb form device showing my new design; FIG. 2 is an enlarged left side plan view thereof; FIG. 3 is a rear plan view thereof; FIG. 4 is a front plan view thereof; FIG. 5 is an enlarged top plan view thereof; FIG. 6 is a bottom plan view thereof; FIG. 7 is a perspective view of a first alternate preferred embodiment of the present invention; FIG. 8 is an enlarged left side plan view thereof; FIG. 9 is rear plan view thereof; FIG. 10 is front plan view thereof; FIG. 11 is an enlarged top view plan thereof; and, FIG. 12 is bottom plan view thereof.

The broken line showing of a concrete curb is for illustrative purposes only and forms no part of the claimed design.

1 Claim, 6 Drawing Sheets



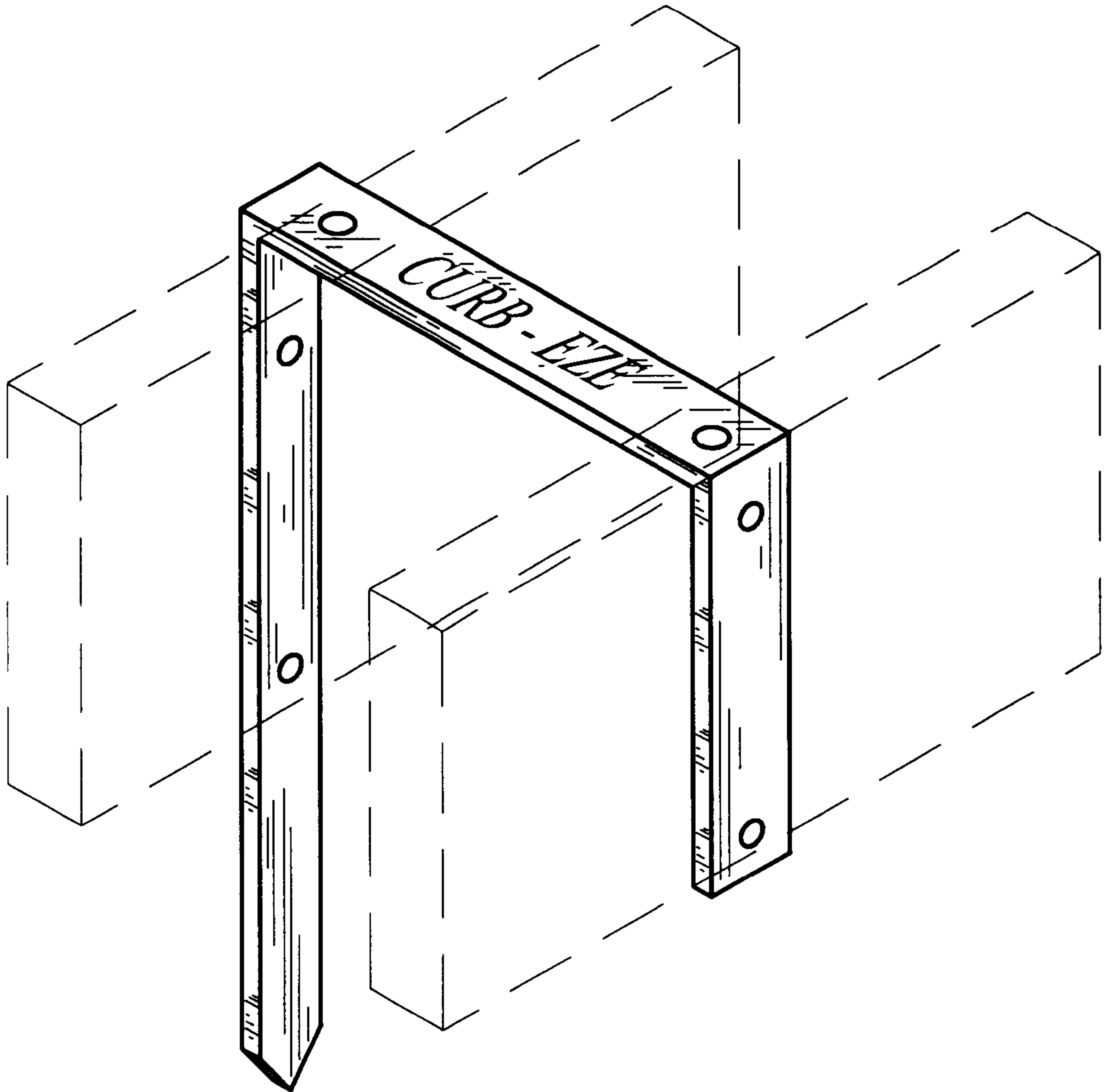


Figure 1

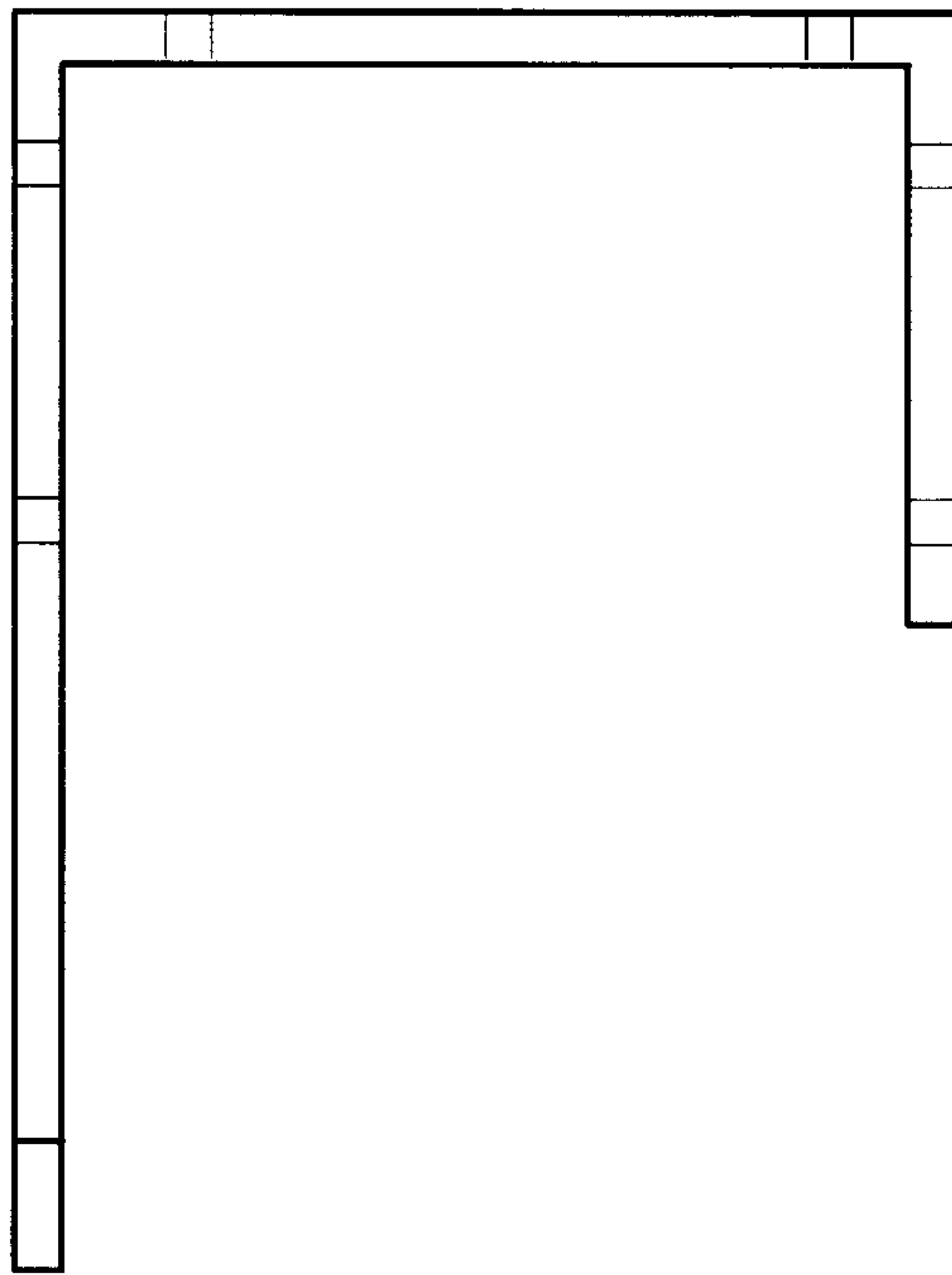


Figure 2

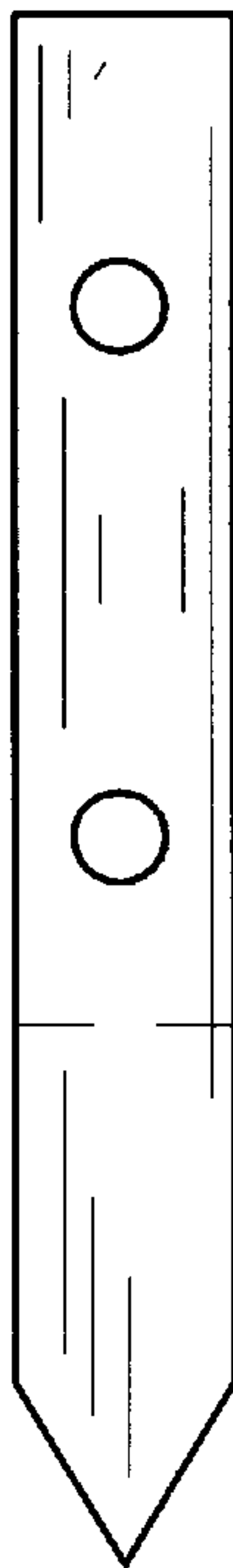


Figure 3

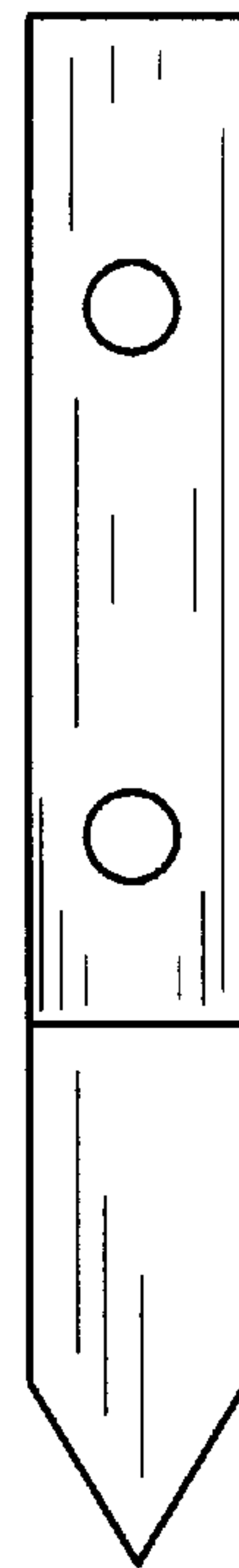


Figure 4

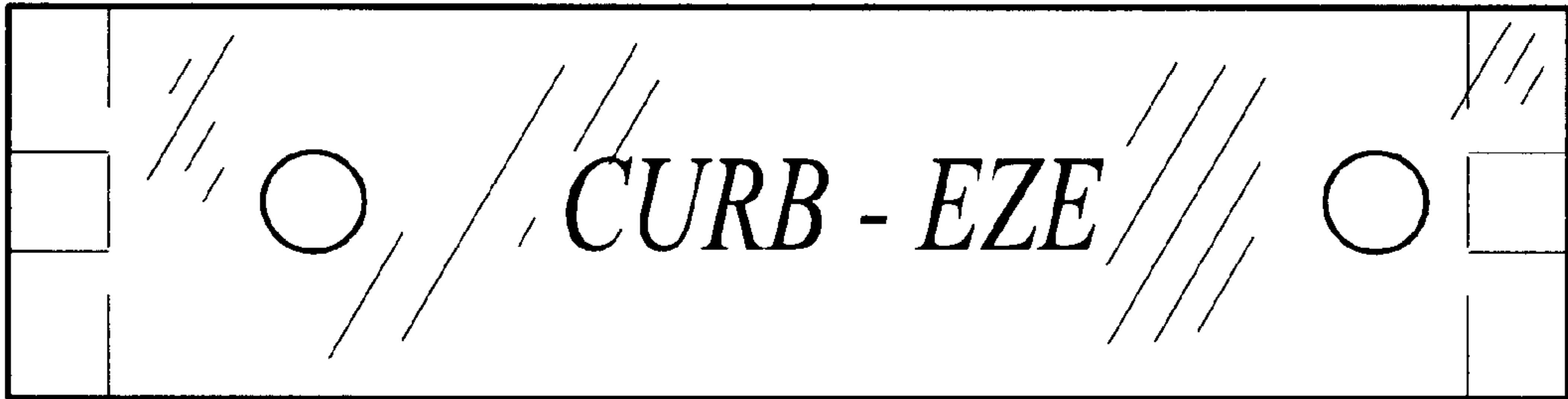


Figure 5

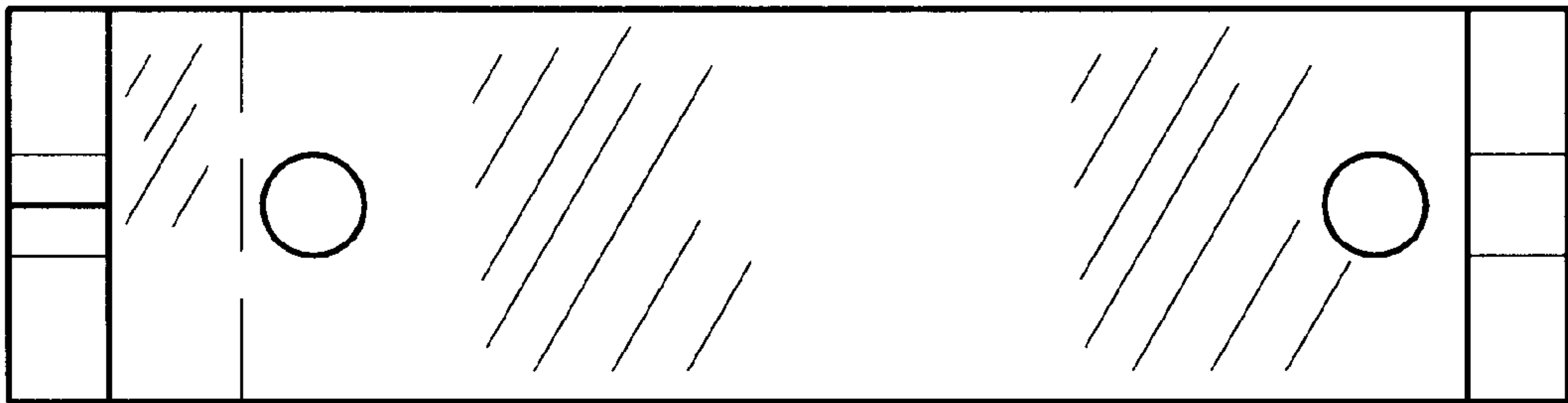


Figure 6

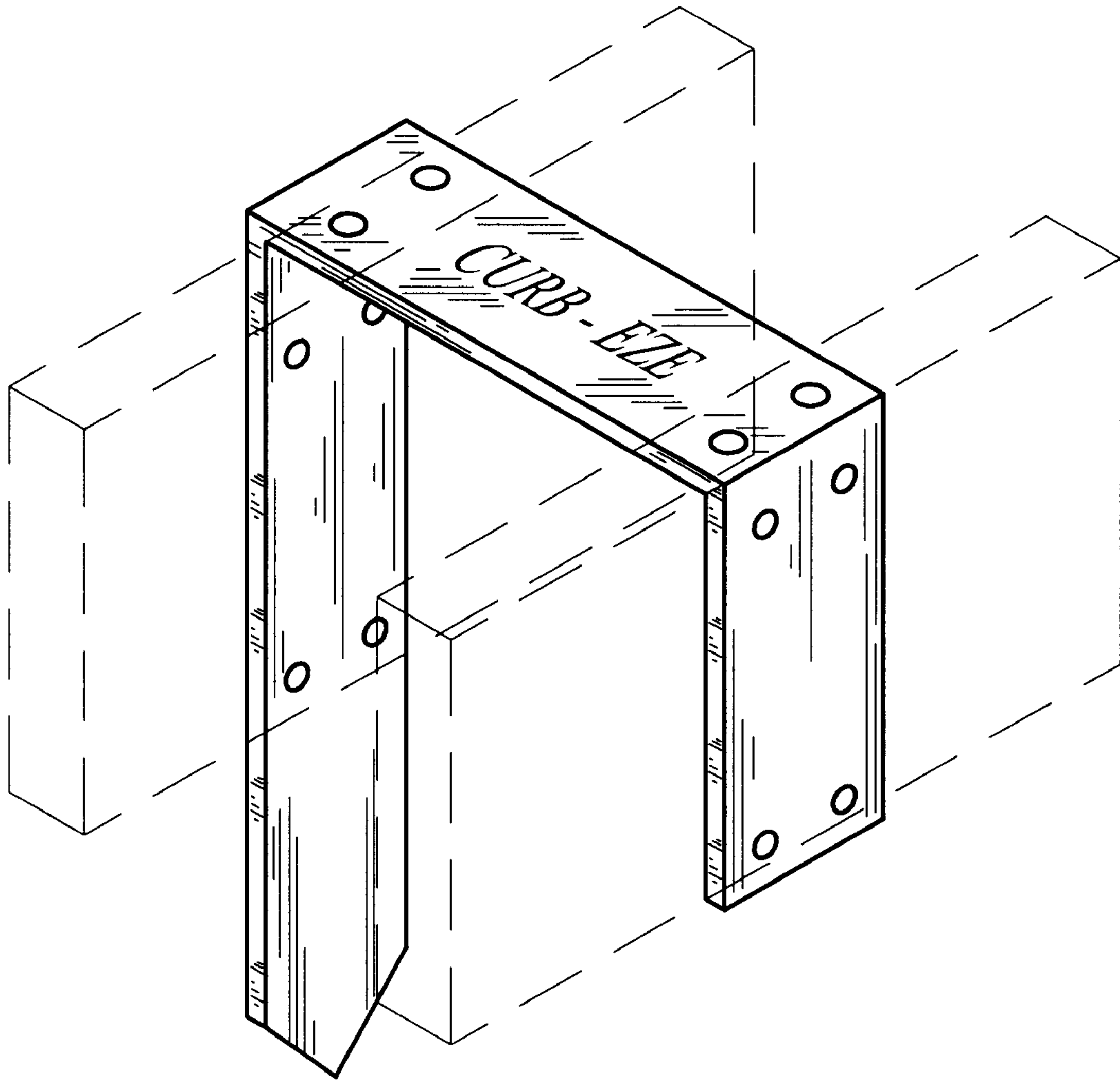


Figure 7

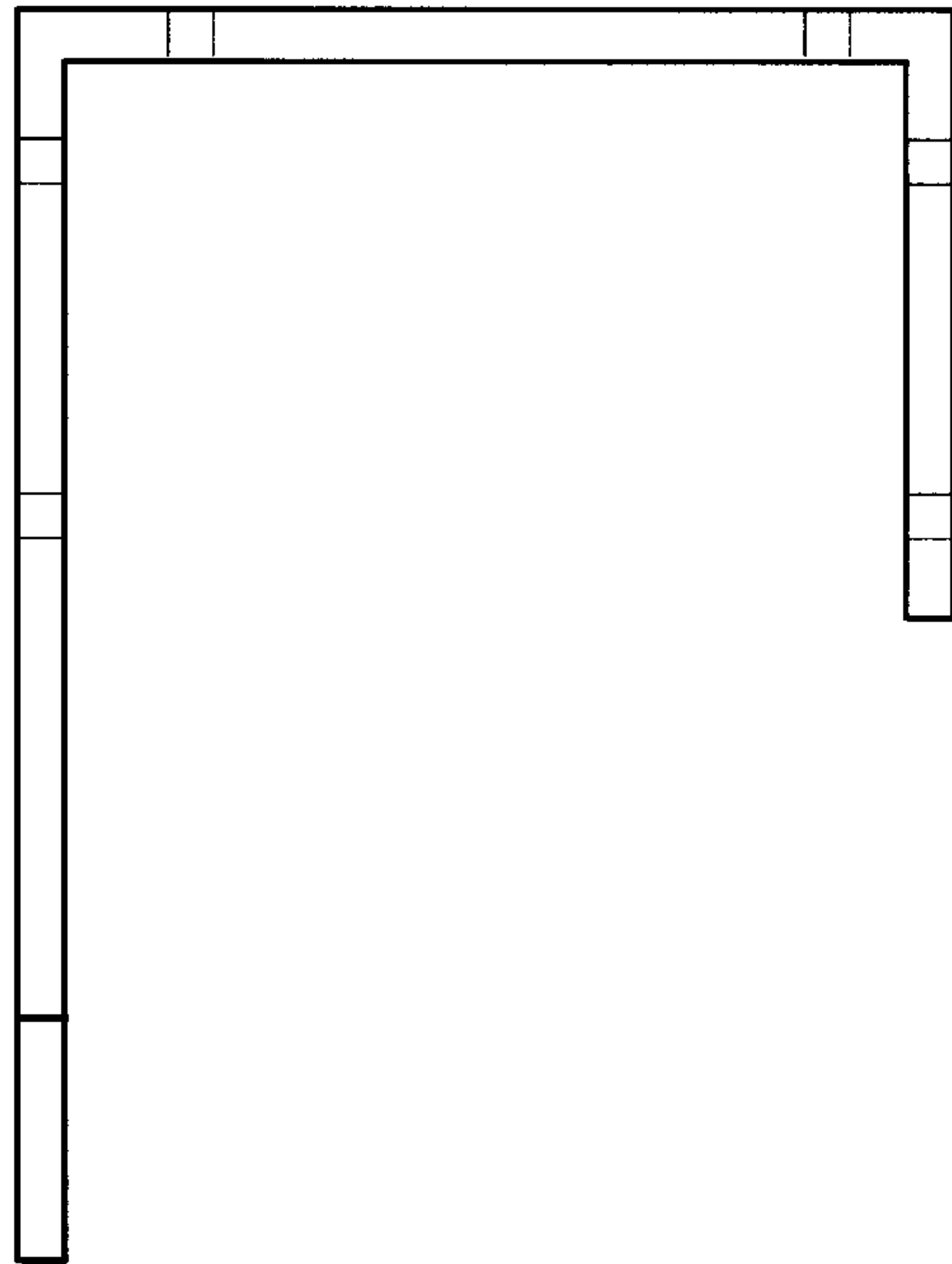


Figure 8

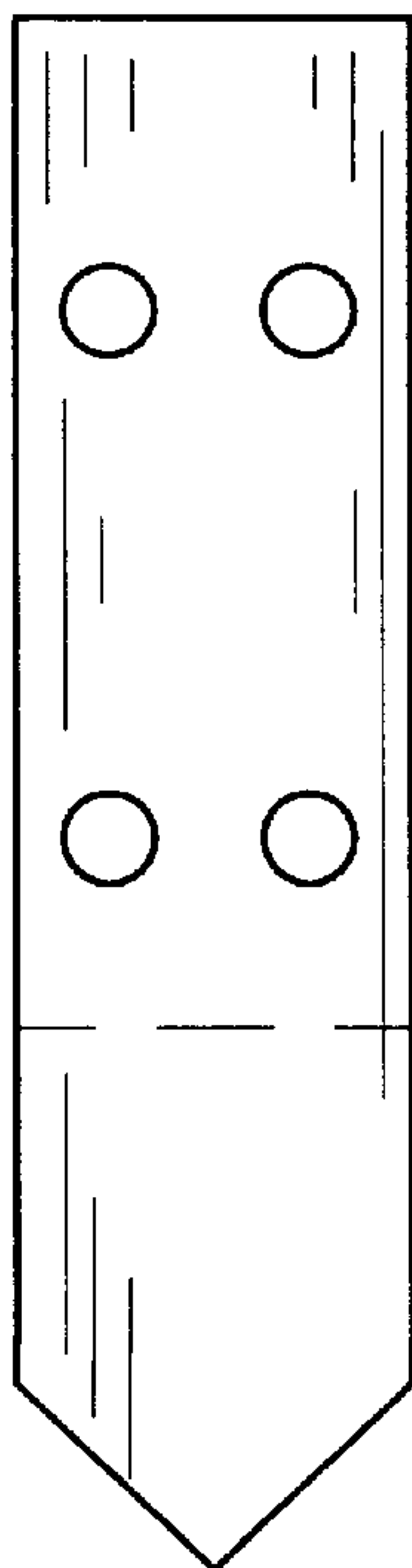


Figure 9

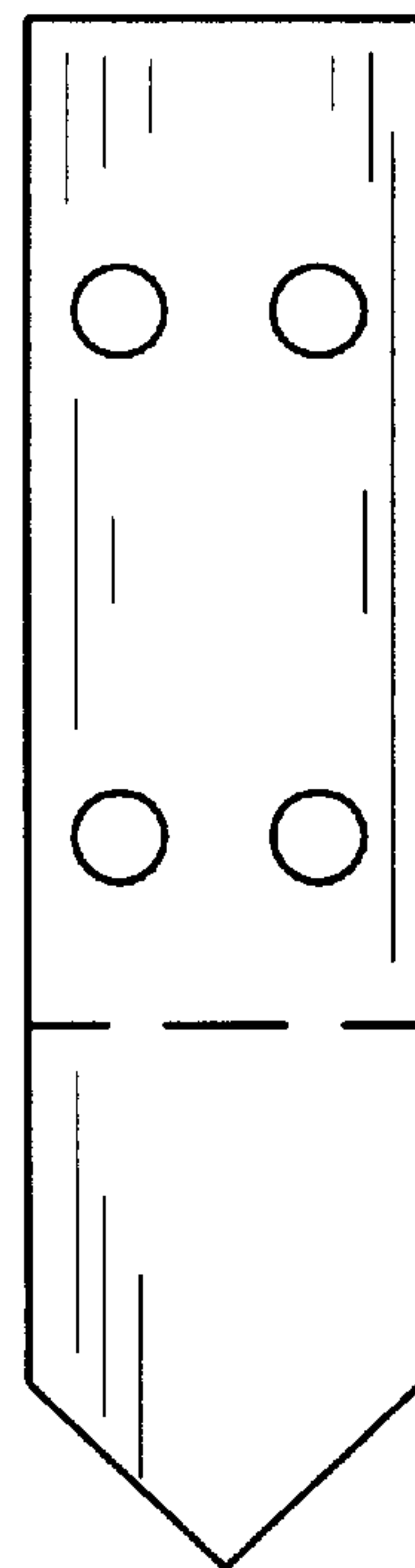


Figure 10

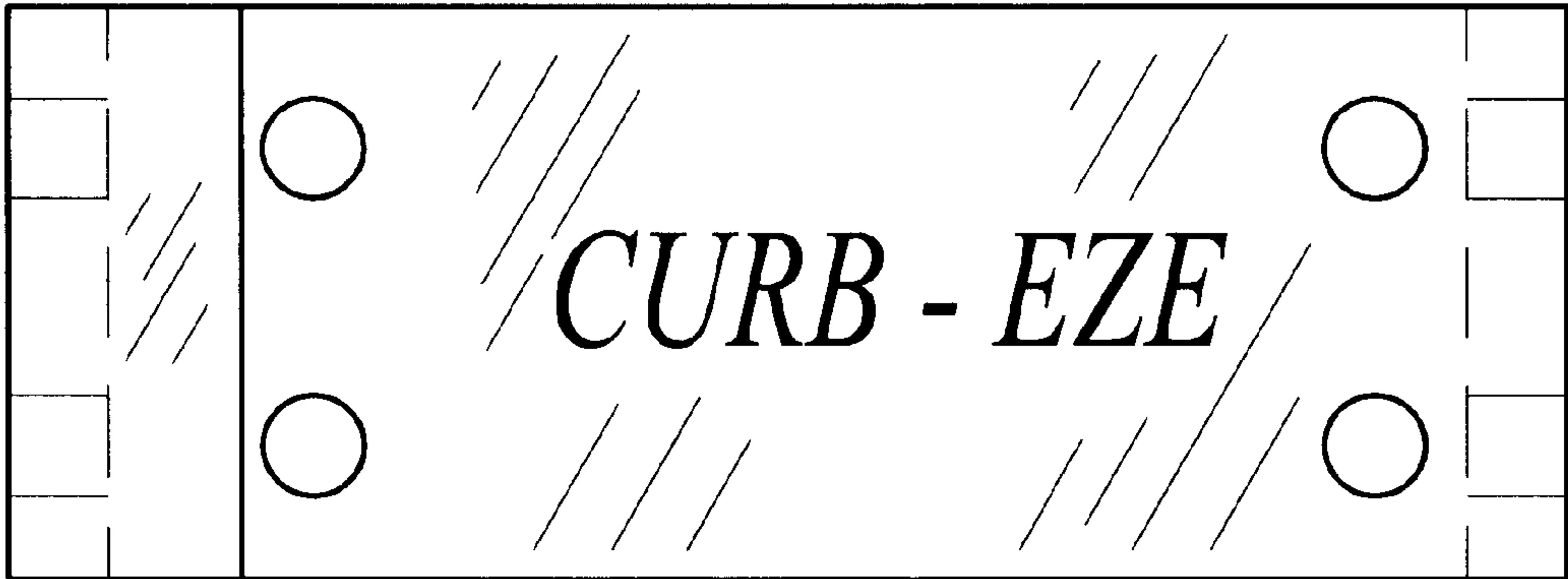


Figure 11

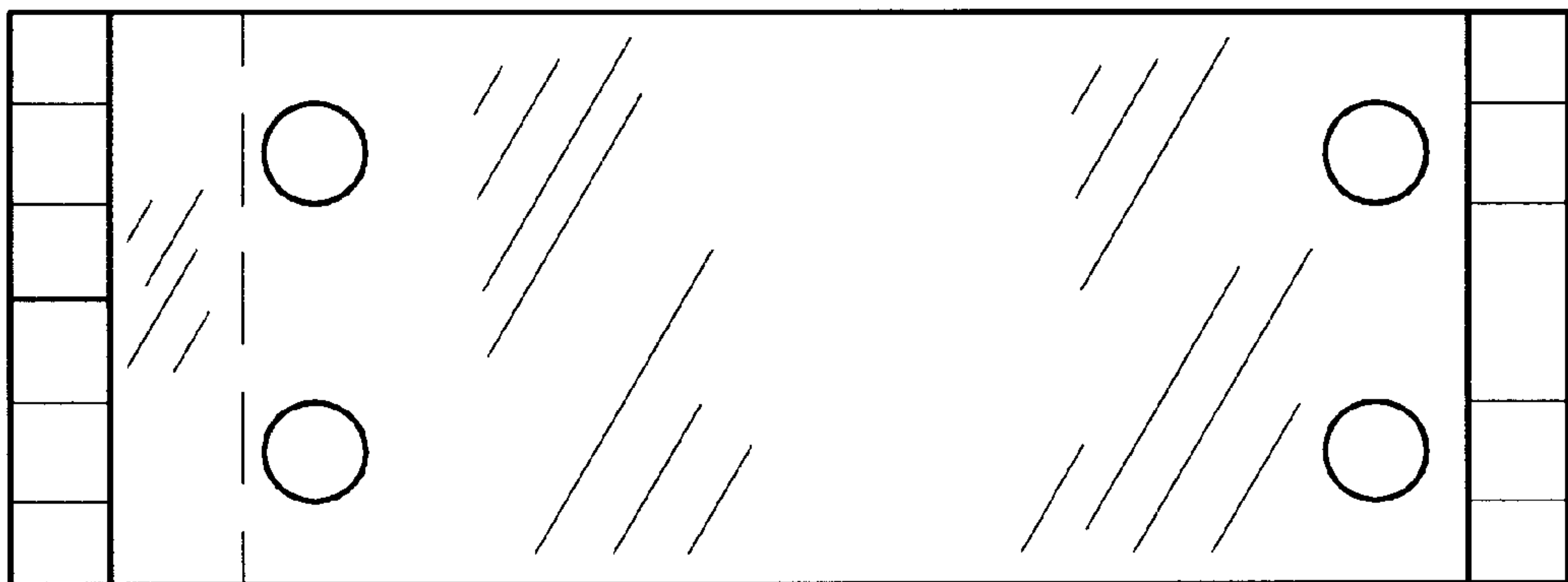


Figure 12