



US00D429621S

United States Patent [19]
Rivera

[11] **Patent Number: Des. 429,621**

[45] **Date of Patent: ** Aug. 22, 2000**

[54] **PORTION OF A LATCH RELEASE
OPERATING LEVER FOR A HAND TOOL**

[75] Inventor: **Benjamin C. Rivera**, West Linn, Oreg.

[73] Assignee: **Leatherman Tool Group, Inc.**,
Portland, Oreg.

[**] Term: **14 Years**

[21] Appl. No.: **29/116,869**

[22] Filed: **Jan. 12, 2000**

[51] **LOC (7) Cl.** **08-07**

[52] **U.S. Cl.** **D8/343**

[58] **Field of Search** D8/330, 331, 336,
D8/343, 344, 107, 402; 81/177.7; 24/456;
292/80, 87, 89

[56] **References Cited**

U.S. PATENT DOCUMENTS

D. 33,499	11/1900	Morris	D8/402
D. 375,247	11/1996	Gandhi	D8/343
4,825,734	5/1989	Schwalbe et al.	81/177.7 X
6,042,157	3/2000	Shimotsu	292/80

Primary Examiner—Susan J. Lucas

Assistant Examiner—J. Rivard

Attorney, Agent, or Firm—Chernoff, Vilhauer, McClung &
Stenzel, LLP

[57] **CLAIM**

The ornamental design for a portion of a latch release operating lever for a hand tool, as shown and described.

DESCRIPTION

FIG. 1 is an isometric view from the upper right rear of a portion of a latch release operating lever for a hand tool including my new design, wherein the broken line depiction of a handle for a multipurpose hand tool is included for illustrative purposes and forms no part of the claimed design;

FIG. 2 is an isometric view from the upper right rear of a portion of a latch release operating lever for a hand tool, showing my new design, of which a lesser portion is shown in FIG. 1, and wherein the broken line depiction of the remainder of the latch release operating lever is included for illustrative purposes and forms no part of the claimed design;

FIG. 3 is a right side elevational view of the portion of a latch release operating lever for a hand tool shown in FIG. 2;

FIG. 4 is a top plan view thereof;

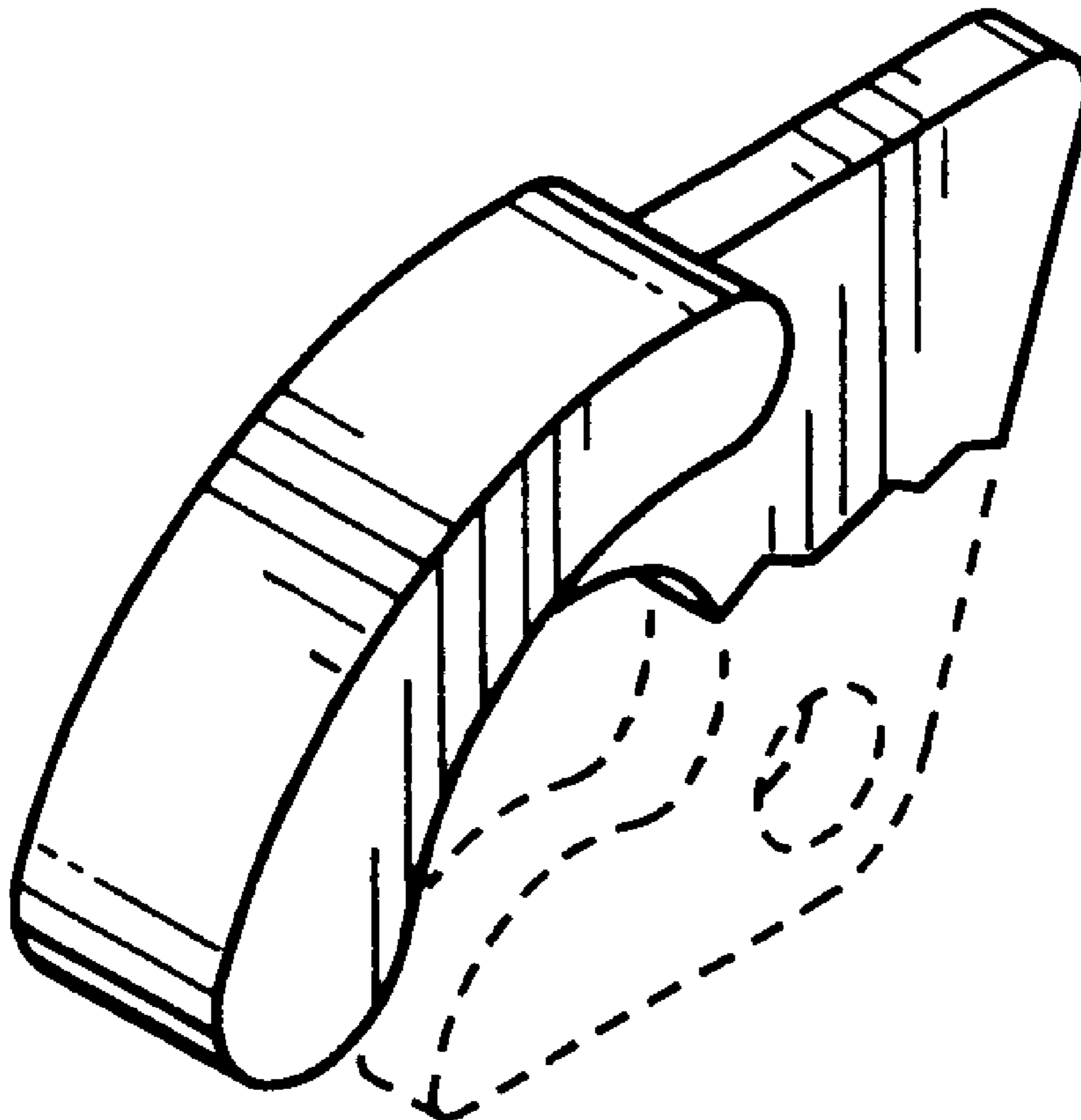
FIG. 5 is a bottom plan view thereof;

FIG. 6 is a rear end elevational view thereof;

FIG. 7 is a front end elevational view thereof; and,

FIG. 8 is a left side elevational view thereof.

1 Claim, 1 Drawing Sheet



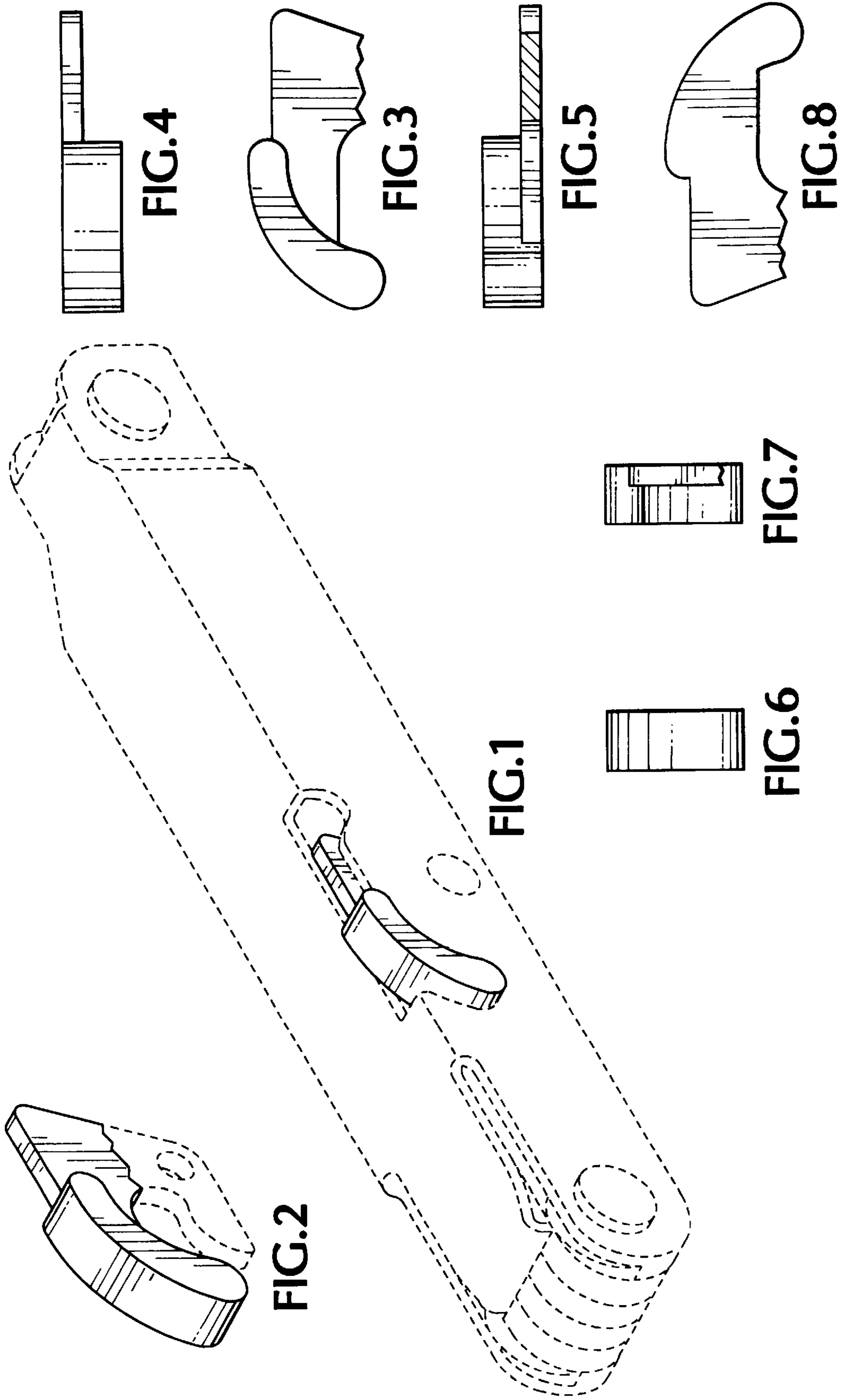


FIG. 4

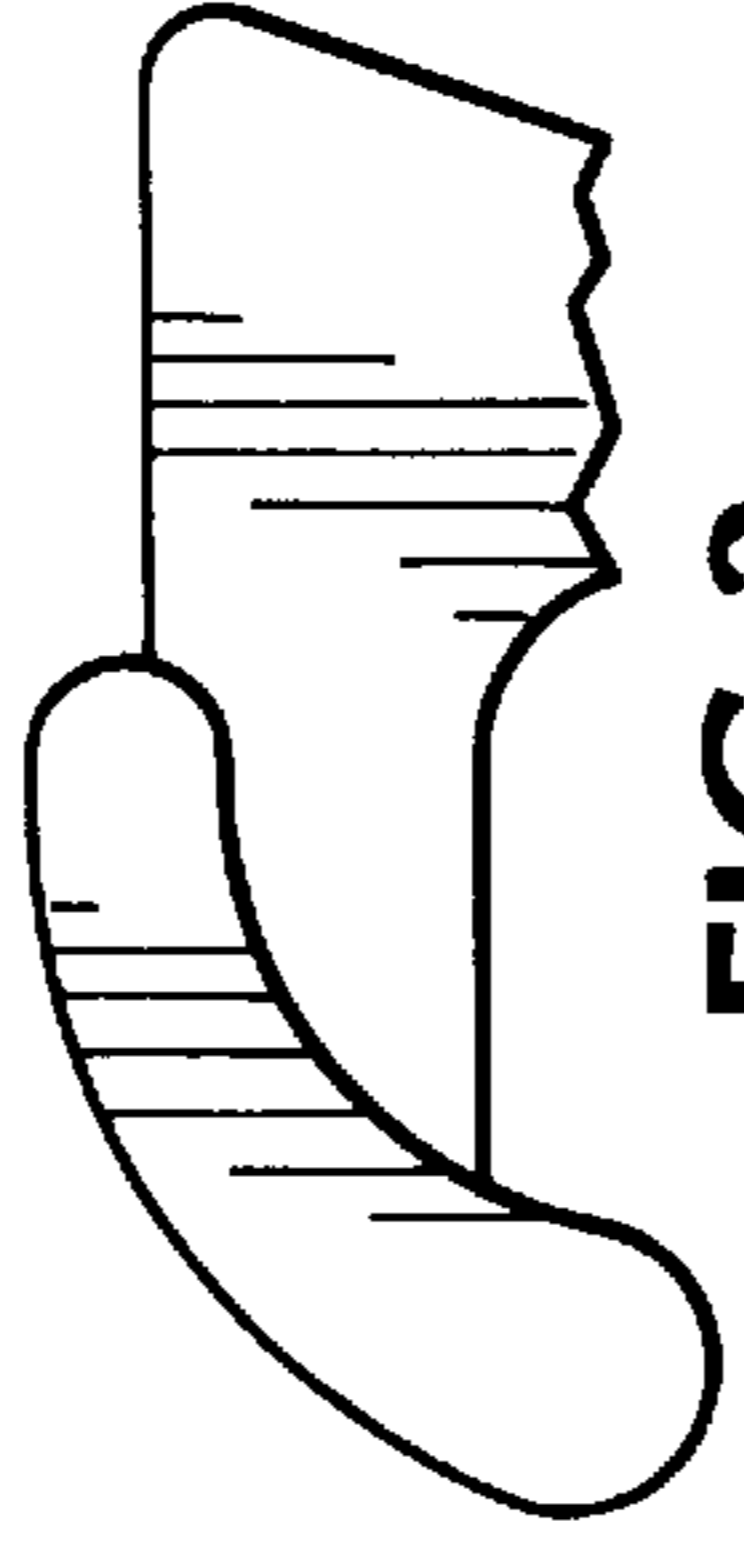


FIG. 3



FIG. 5

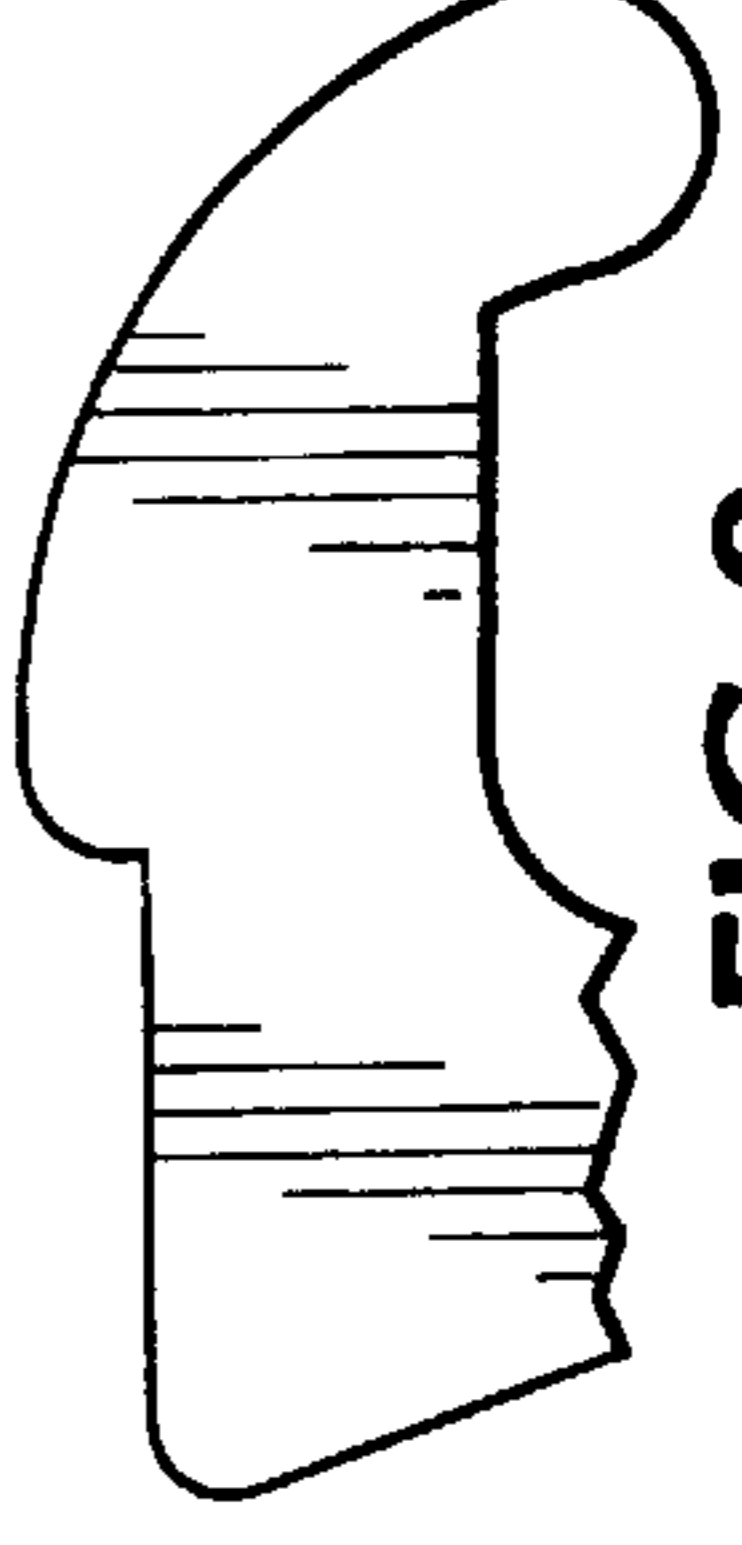


FIG. 8

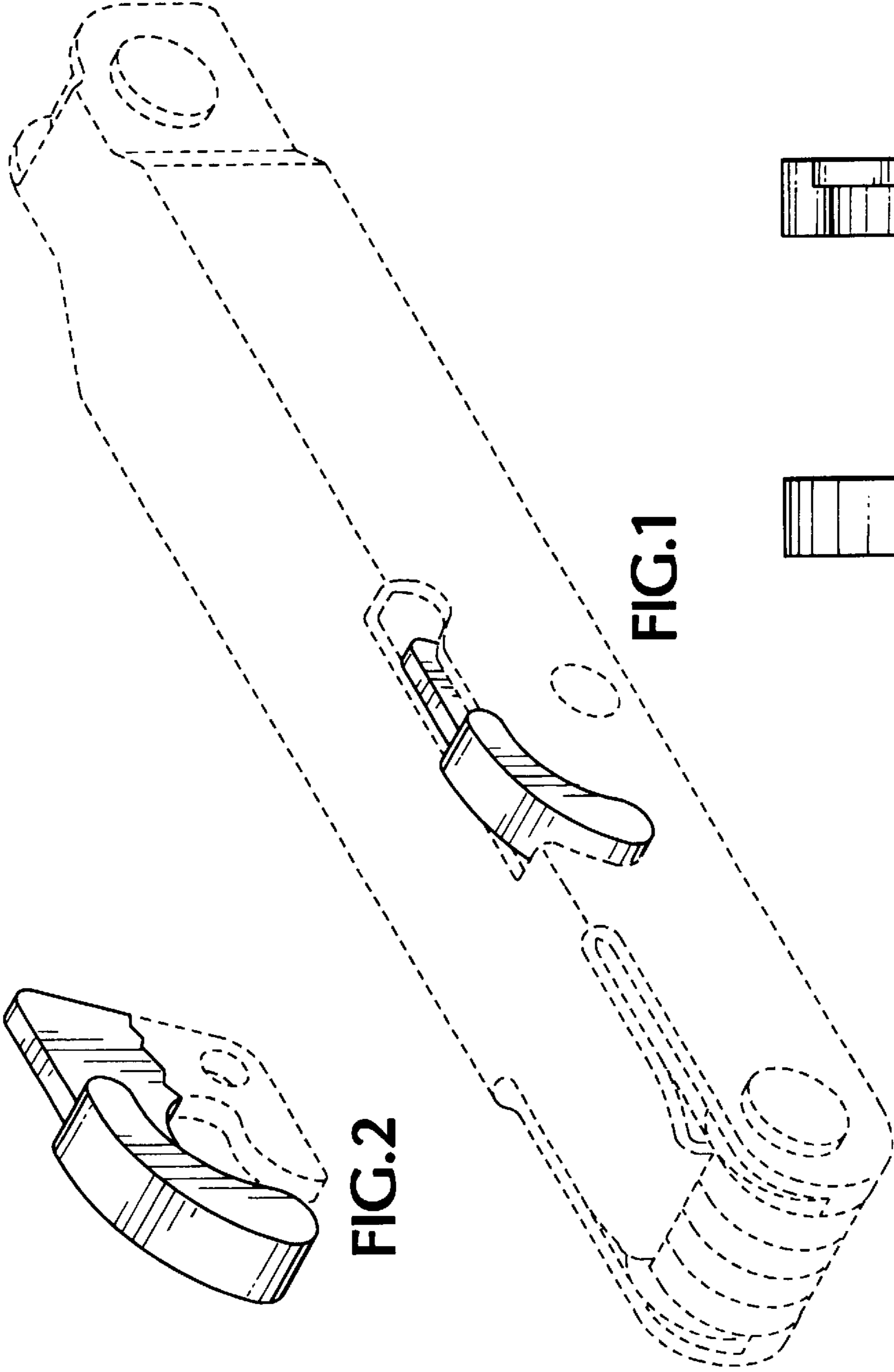


FIG. 1

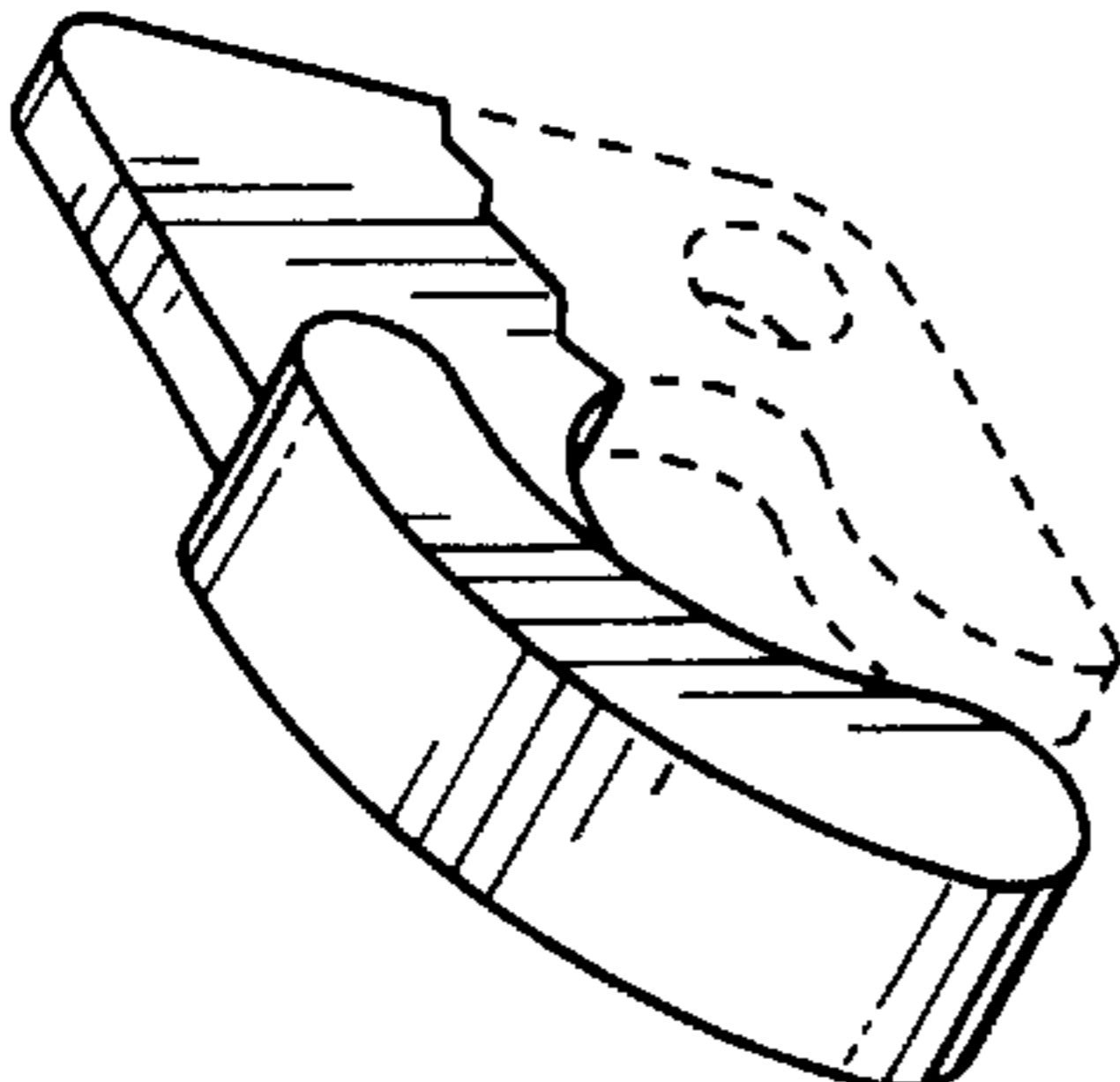


FIG. 2



FIG. 7

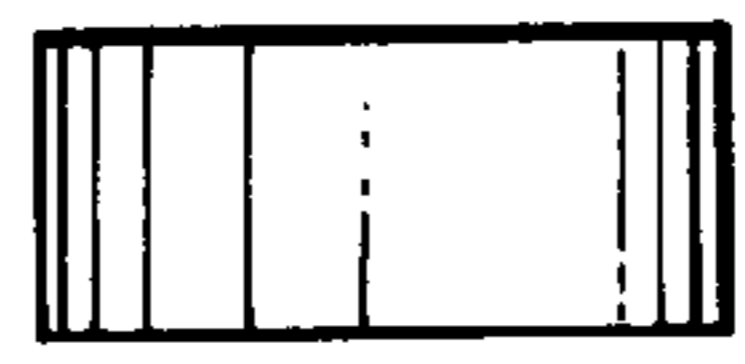


FIG. 6