



US00D429617S

# United States Patent [19]

[11] **Patent Number: Des. 429,617**

**Azar**

[45] **Date of Patent: \*\* Aug. 22, 2000**

[54] **HANDLE FOR A KNIFE**

D. 397,190 8/1998 Balolia ..... D22/118

[76] Inventor: **Tony J. Azar**, 3555 North Service Road, East, Windsor, Ontario, Canada, N8W 5R7

*Primary Examiner*—Alan P. Douglas  
*Assistant Examiner*—Reid Hecker  
*Attorney, Agent, or Firm*—Anthony J. Casella; Gerald E. Hespos; Michael J. Porco

[\*\*] Term: **14 Years**

### [57] CLAIM

[21] Appl. No.: **29/111,405**

The ornamental design of a handle for a knife, as shown and described.

[22] Filed: **Sep. 27, 1999**

[51] **LOC (7) Cl. .... 08-03**

### DESCRIPTION

[52] **U.S. Cl. .... D8/107; D8/98**

FIG. 1 is a perspective view of a handle for a knife in accordance with my design;

[58] **Field of Search** ..... D7/393, 395, 642, D7/649, 664, 693; D8/98, 102, 107, 300, 303; D22/118; 16/110.1, 430, 431, DIG. 12, DIG. 19; 30/151, 309, 314, 315, 317, 340, 344

FIG. 2 is a front elevational view thereof;

FIG. 3 is a rear elevational view thereof;

FIG. 4 is a side elevational view thereof as viewed from the right side of FIG. 2;

FIG. 5 is a side elevational view as viewed from the left side of FIG. 2.

FIG. 6 is a top plan view of my design; and,

FIG. 7 is a bottom plan view thereof.

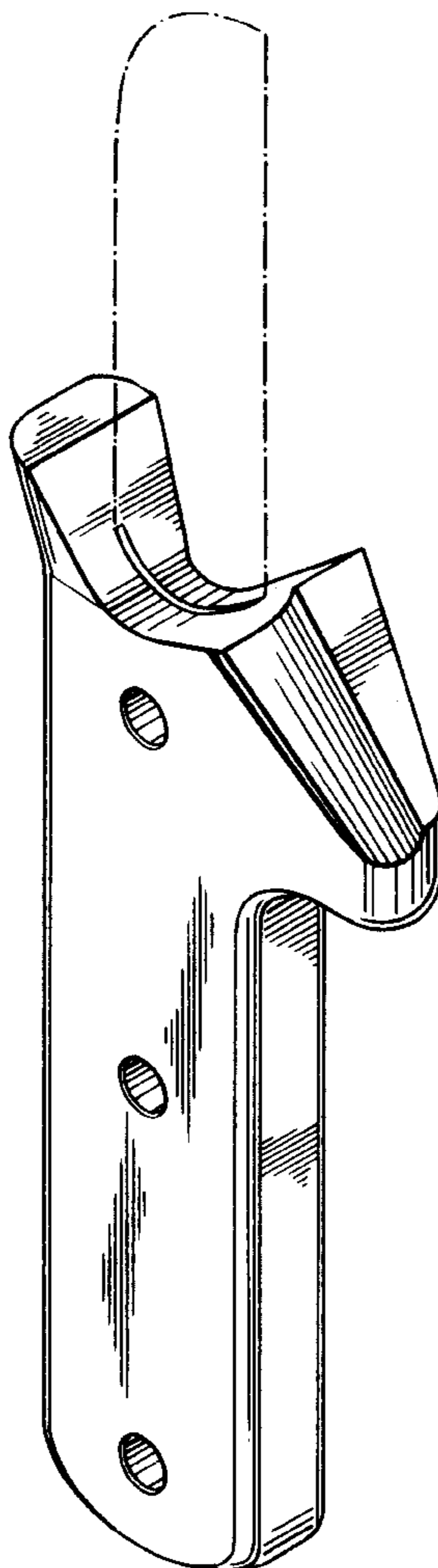
The broken line showing of the knife blade is for illustrative purposes only and forms no part of the claimed design.

### [56] References Cited

#### U.S. PATENT DOCUMENTS

D. 75,940	7/1928	Tillmanns	.....	D7/649
D. 191,267	9/1961	Baker, Jr.	.....	D7/649
D. 309,557	7/1990	Quenessen	.....	D7/693
D. 315,661	3/1991	Scheuerman	.....	D8/98
D. 329,185	9/1992	Hasegawa	.....	D8/107

**1 Claim, 3 Drawing Sheets**



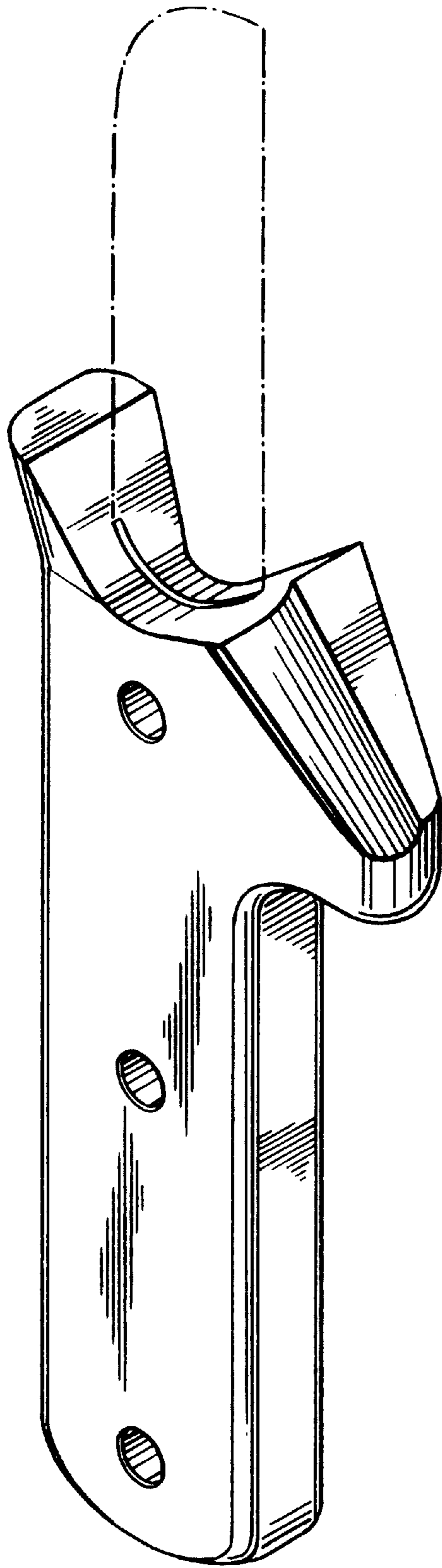


FIG. 1

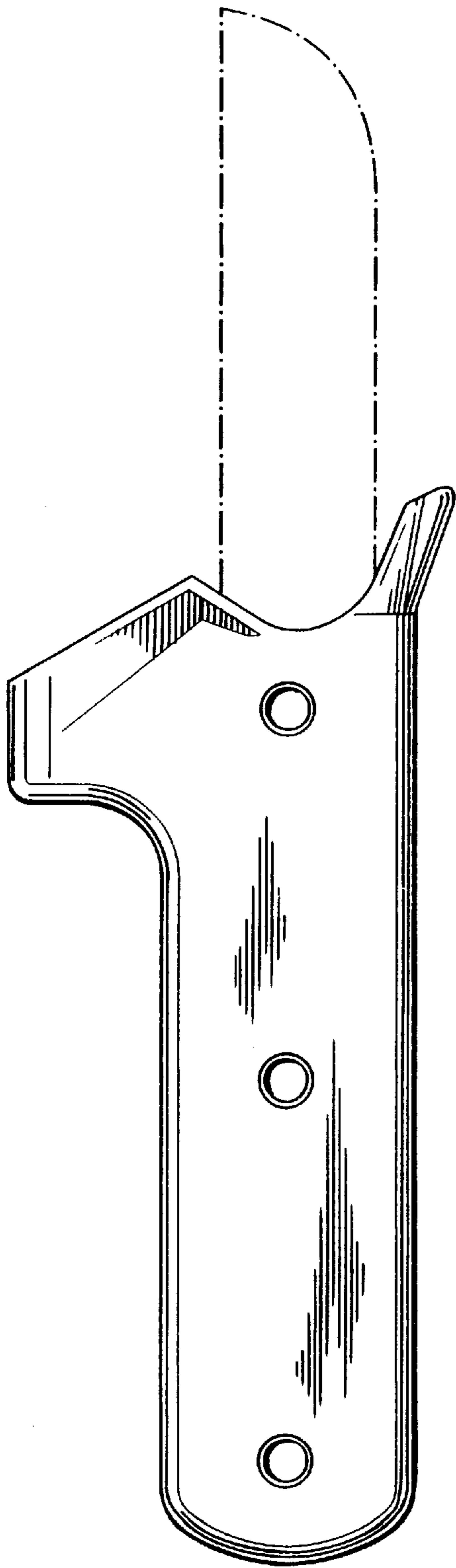


FIG. 2

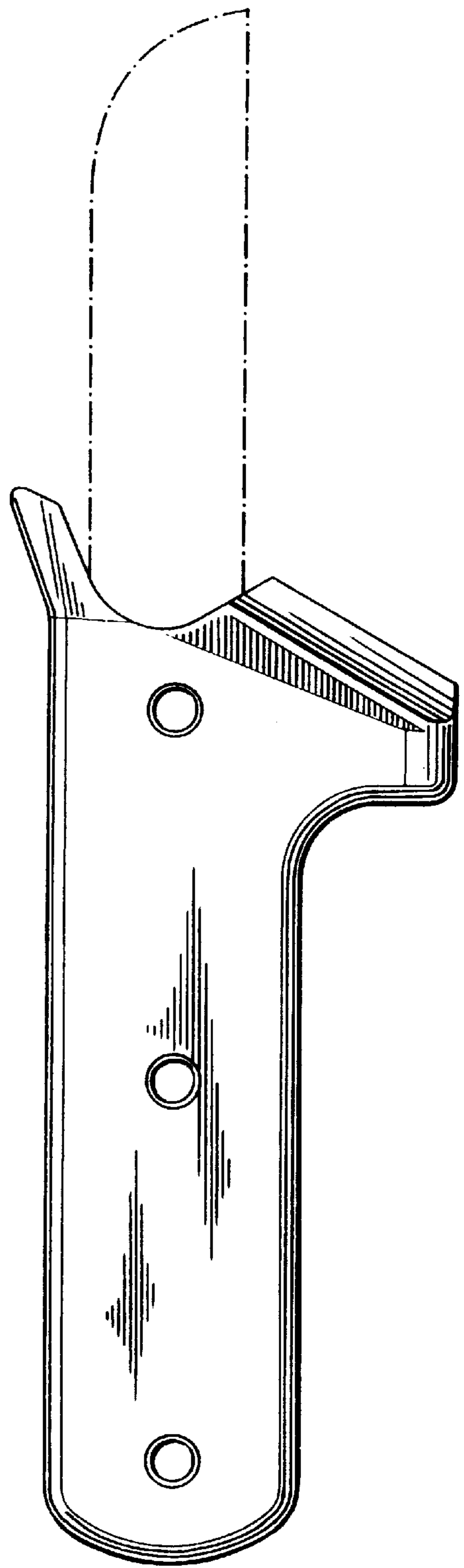


FIG. 3

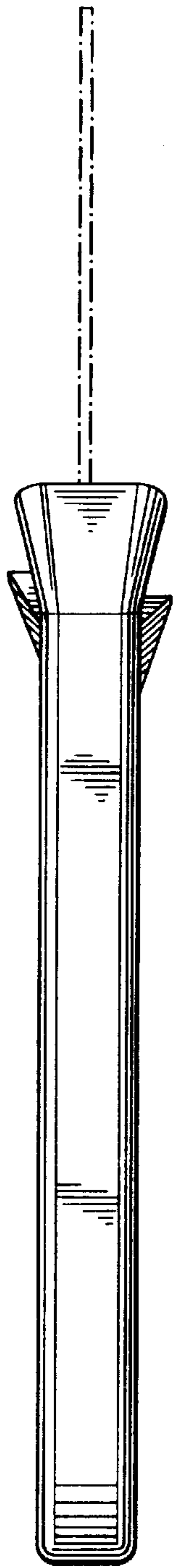


FIG. 4

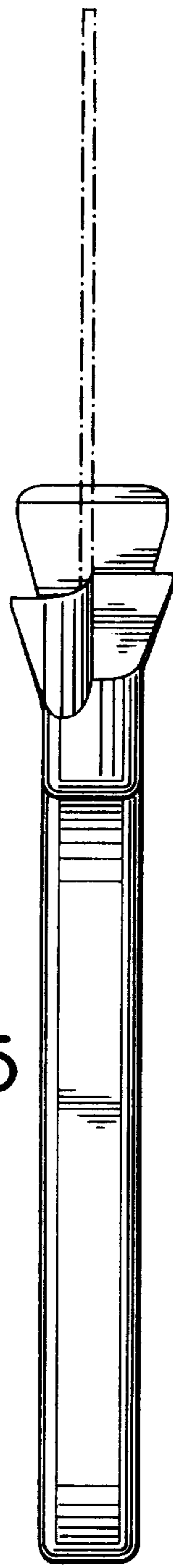


FIG. 5

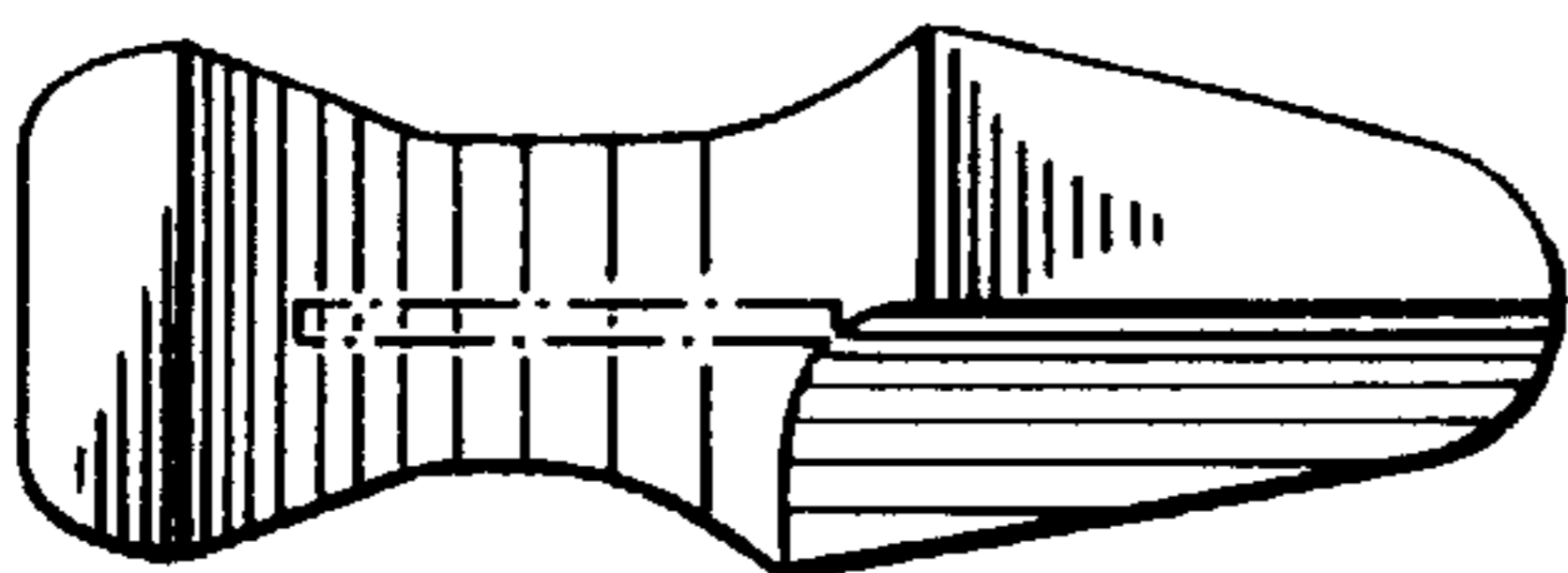


FIG. 6

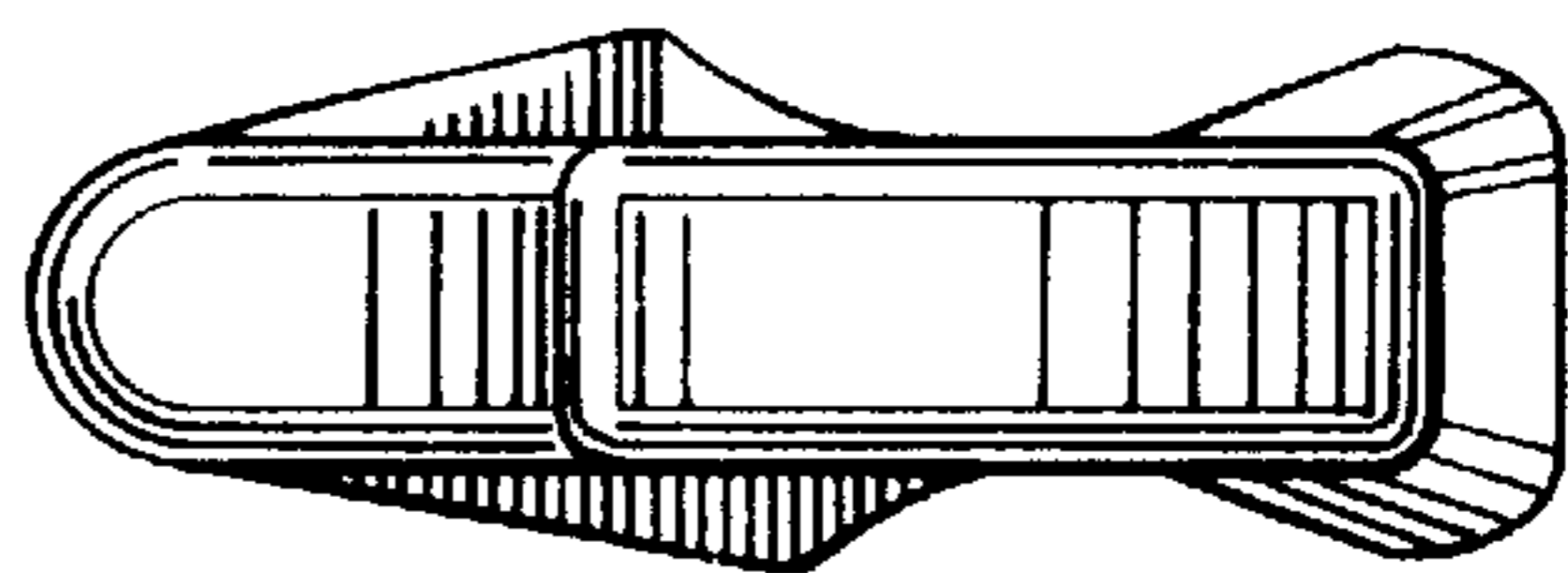


FIG. 7